



US00D557118S

(12) **United States Design Patent**
Linginfelter

(10) **Patent No.:** **US D557,118 S**

(45) **Date of Patent:** **** Dec. 11, 2007**

(54) **MOLDED PLASTIC REEL**

(75) **Inventor:** **Bruce D. Linginfelter**, Richmond, IN (US)

(73) **Assignee:** **Richmond Pattern, LLC**, Richmond, IN (US)

(**) **Term:** **14 Years**

(21) **Appl. No.:** **29/270,334**

(22) **Filed:** **Dec. 21, 2006**

(51) **LOC (8) Cl.** **08-05**

(52) **U.S. Cl.** **D8/358**

(58) **Field of Classification Search** D8/359, D8/358; D23/261; D22/140, 137; D12/501, D12/207, 204; 242/614, 613, 613.4, 609, 242/609.1, 608, 608.2, 606, 605, 405.2, 118, 242/118.1, 118.61, 608.4, 407; 137/360
See application file for complete search history.

(56) **References Cited**

U.S. PATENT DOCUMENTS

- 5,004,179 A 4/1991 Salloum
- 5,383,626 A 1/1995 Häfner
- 5,897,075 A 4/1999 Elder et al.

- 6,138,942 A 10/2000 DesRosiers et al.
- D436,520 S * 1/2001 Bulman D8/358
- D455,333 S * 4/2002 Harada et al. D8/358
- 6,398,154 B1 6/2002 Cox et al.
- 6,715,710 B1 * 4/2004 Russell et al. 242/605
- D504,806 S * 5/2005 Basaran et al. D8/358
- 6,991,197 B2 * 1/2006 Cox et al. 242/608.4

* cited by examiner

Primary Examiner—Gary D. Watson

Assistant Examiner—Susan Bennett Hattan

(74) *Attorney, Agent, or Firm*—Jacox, Meckstroth & Jenkins

(57) **CLAIM**

The ornamental design for a molded plastic reel, as shown and described.

DESCRIPTION

FIG. 1 is a perspective view of a molded plastic reel showing my new design;

FIG. 2 is an end view thereof, the opposite end view being a mirror image; and,

FIG. 3 is a side view thereof, the opposite side view, top view and bottom view being the same.

1 Claim, 2 Drawing Sheets

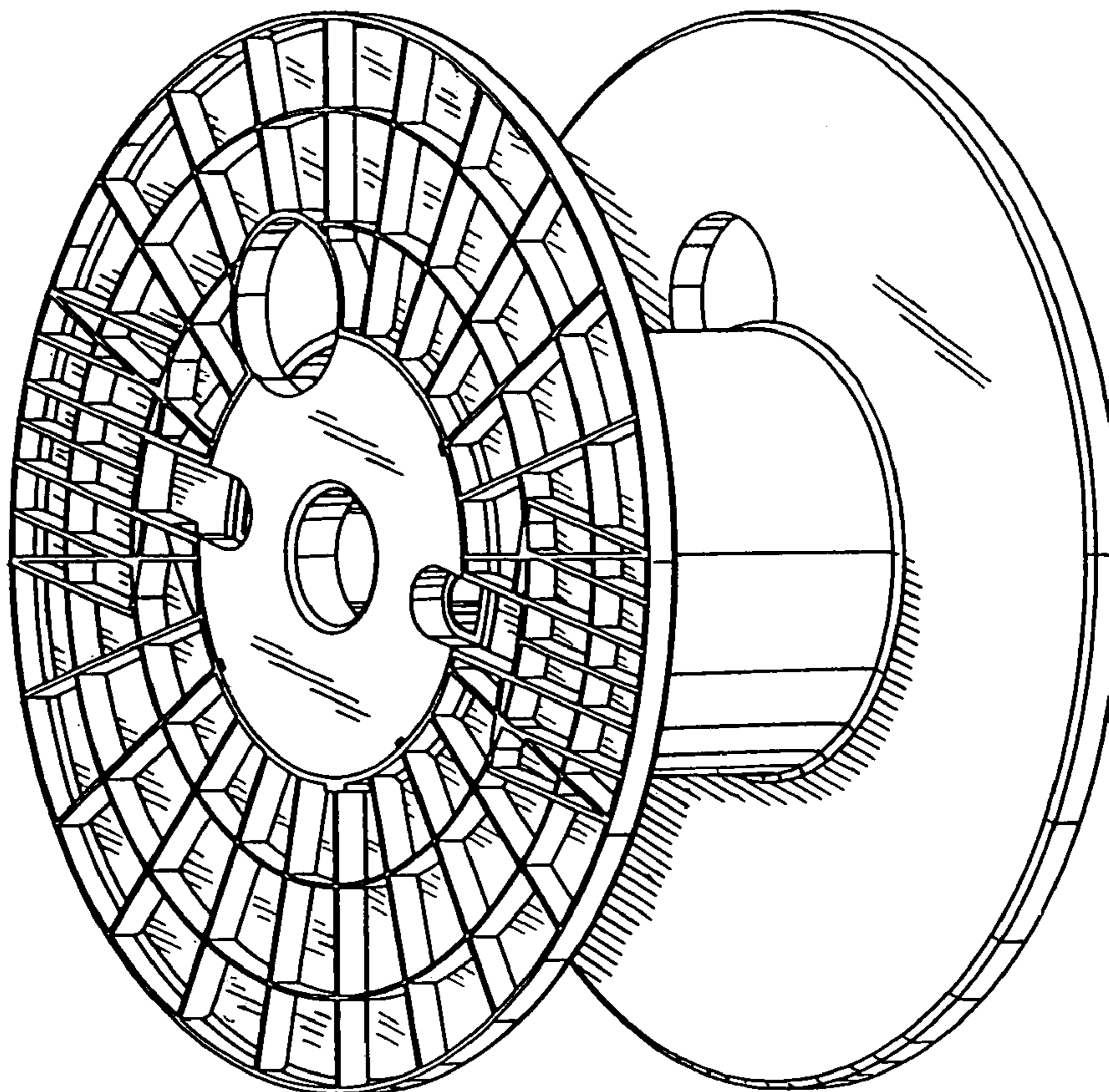


FIG-1

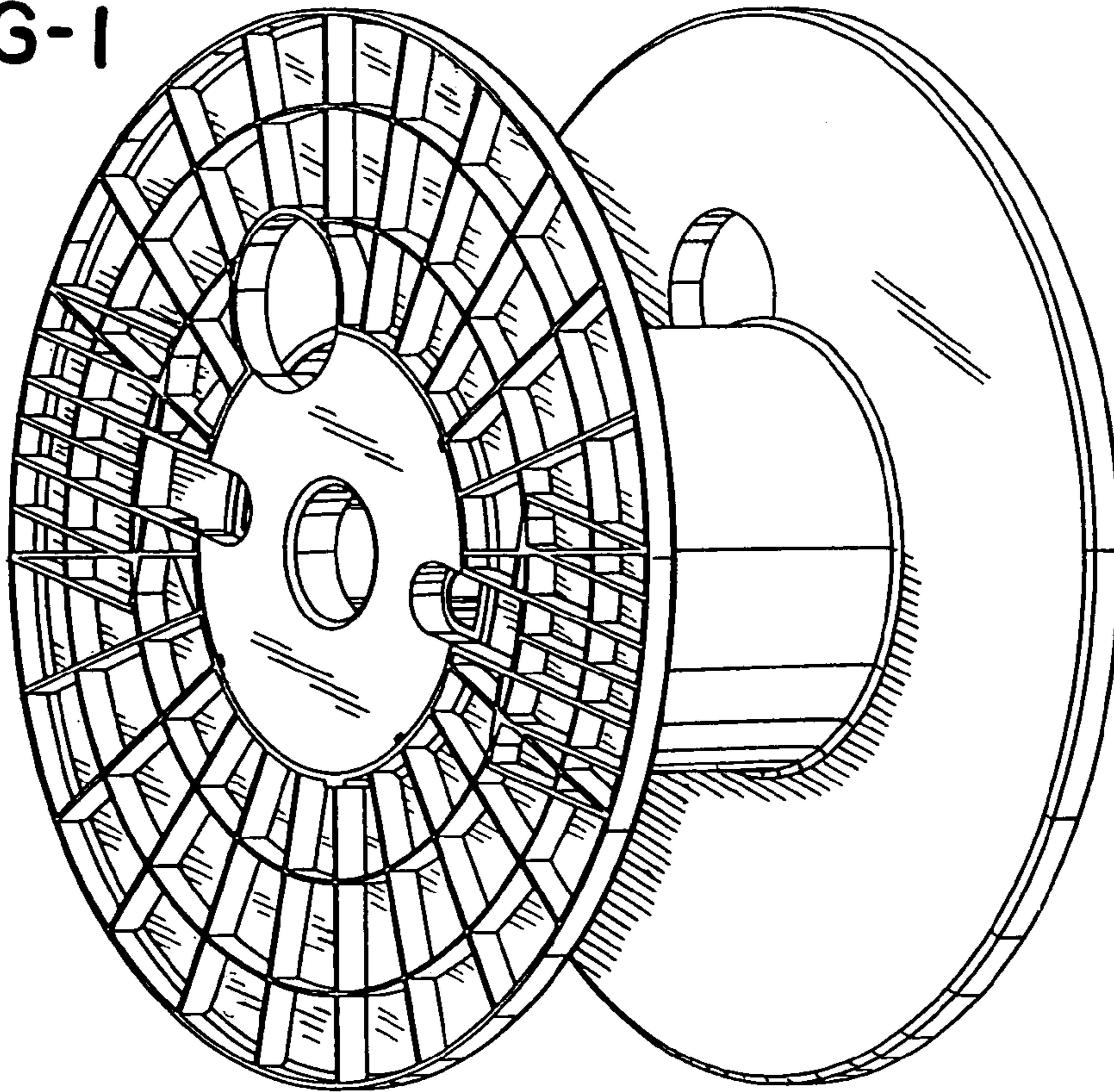


FIG-2

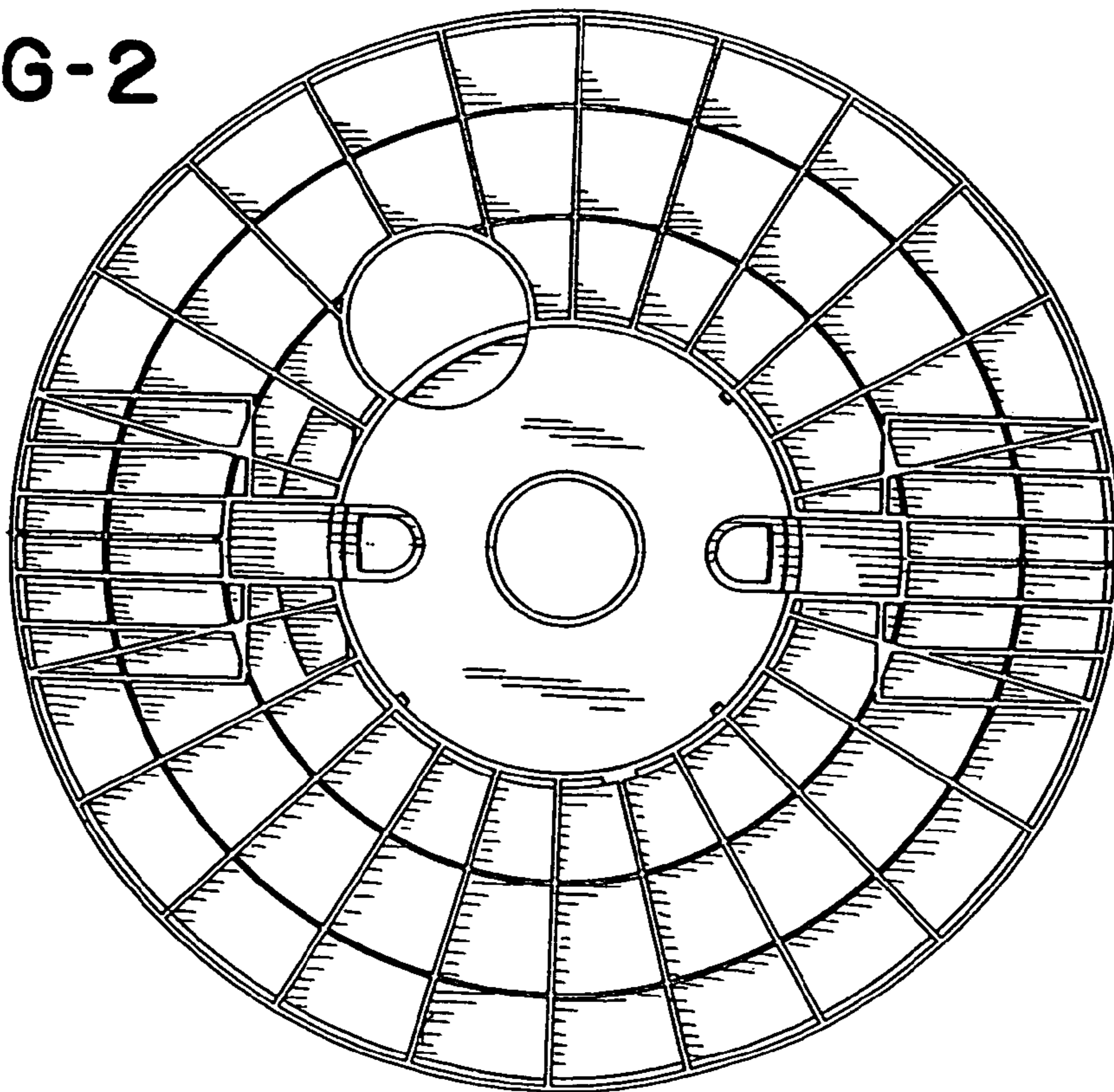


FIG-3

