



US00D557114S

(12) **United States Design Patent**  
**Lorman**

(10) **Patent No.:** **US D557,114 S**

(45) **Date of Patent:** **\*\* Dec. 11, 2007**

(54) **SNAP-UP BRACKET**

(75) Inventor: **Leonard A. Lorman**, Wickliffe, OH  
(US)

(73) Assignee: **Robin Industries, Inc.**, Cleveland, OH  
(US)

(\*\*) Term: **14 Years**

(21) Appl. No.: **29/261,621**

(22) Filed: **Jun. 19, 2006**

(51) **LOC (8) Cl.** ..... **08-05**

(52) **U.S. Cl.** ..... **D8/354**

(58) **Field of Classification Search** ..... D8/349,  
D8/354, 355; 248/300

See application file for complete search history.

(56) **References Cited**

**U.S. PATENT DOCUMENTS**

D283,485 S \* 4/1986 Rader et al. .... D8/354  
D368,647 S \* 4/1996 Koebbe ..... D8/355

\* cited by examiner

*Primary Examiner*—Holly H. Baynham

(74) *Attorney, Agent, or Firm*—Joseph H. Taddeo

(57) **CLAIM**

The ornamental design for a snap-up bracket, as shown and described.

**DESCRIPTION**

FIG. 1 is an isometric view of my new design for a snap-up bracket;

FIG. 2 is a front view thereof;

FIG. 3 is a left-side view thereof;

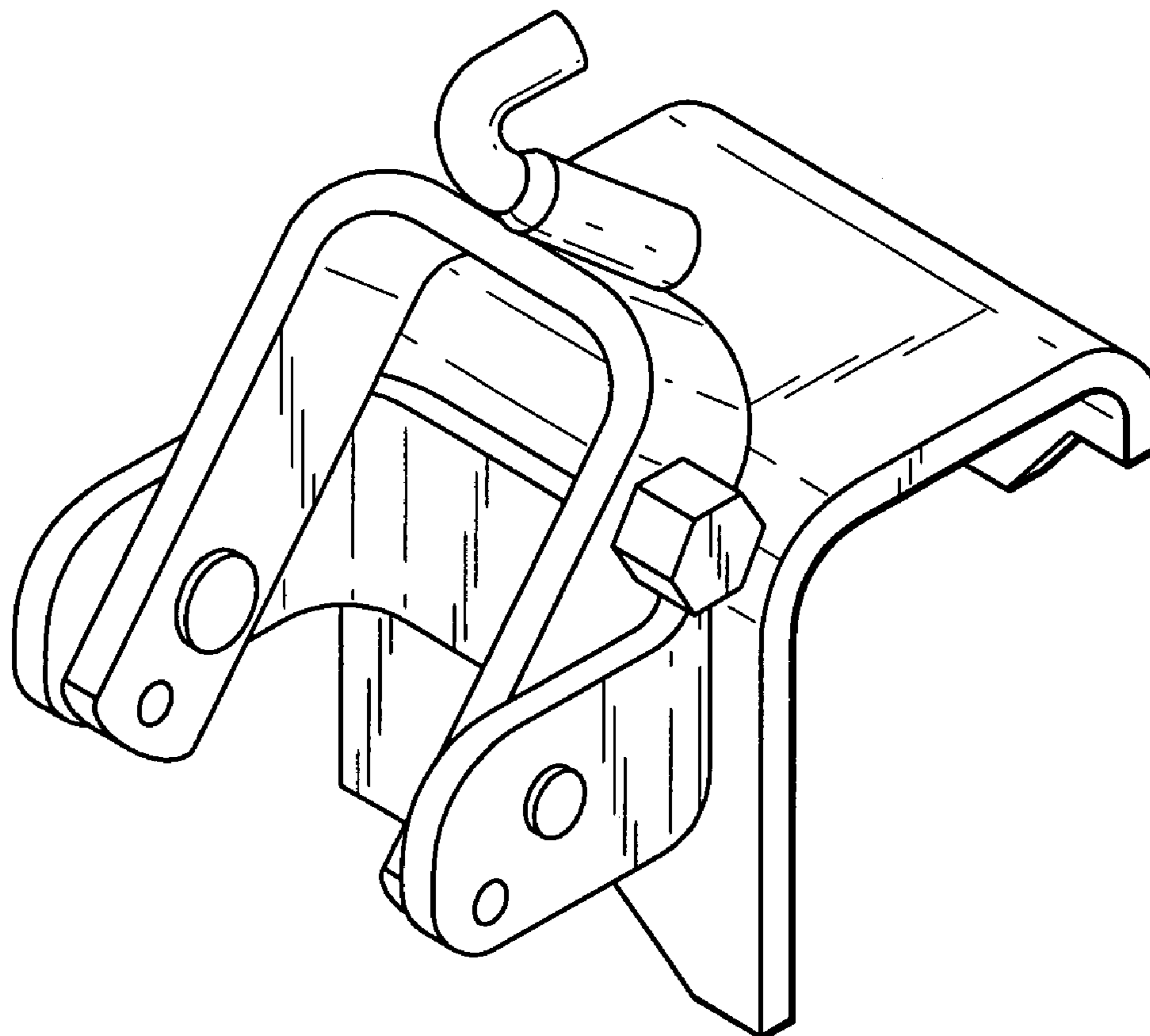
FIG. 4 is a right-side view thereof;

FIG. 5 is a back view thereof;

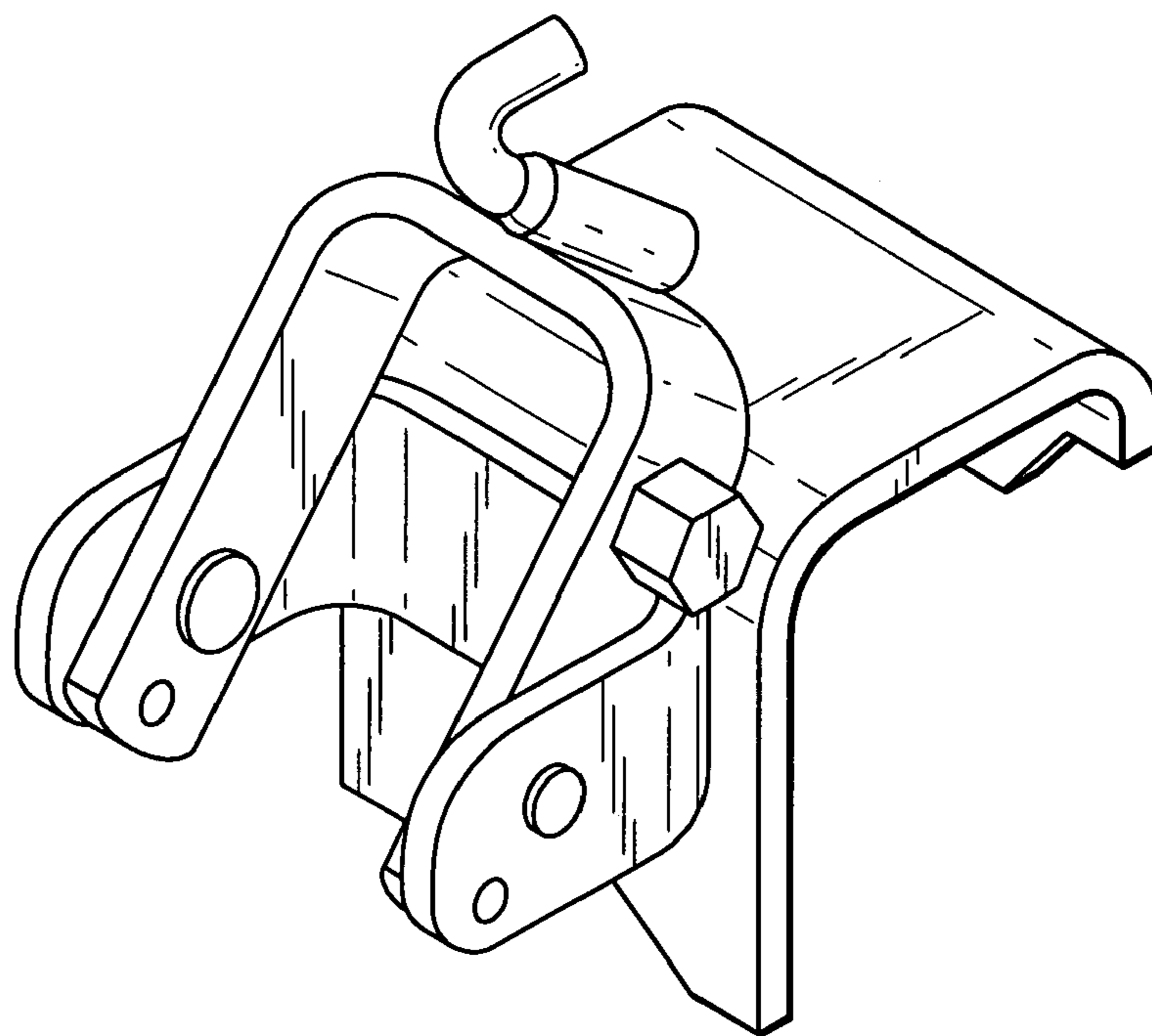
FIG. 6 is a top view thereof; and,

FIG. 7 is a bottom view thereof.

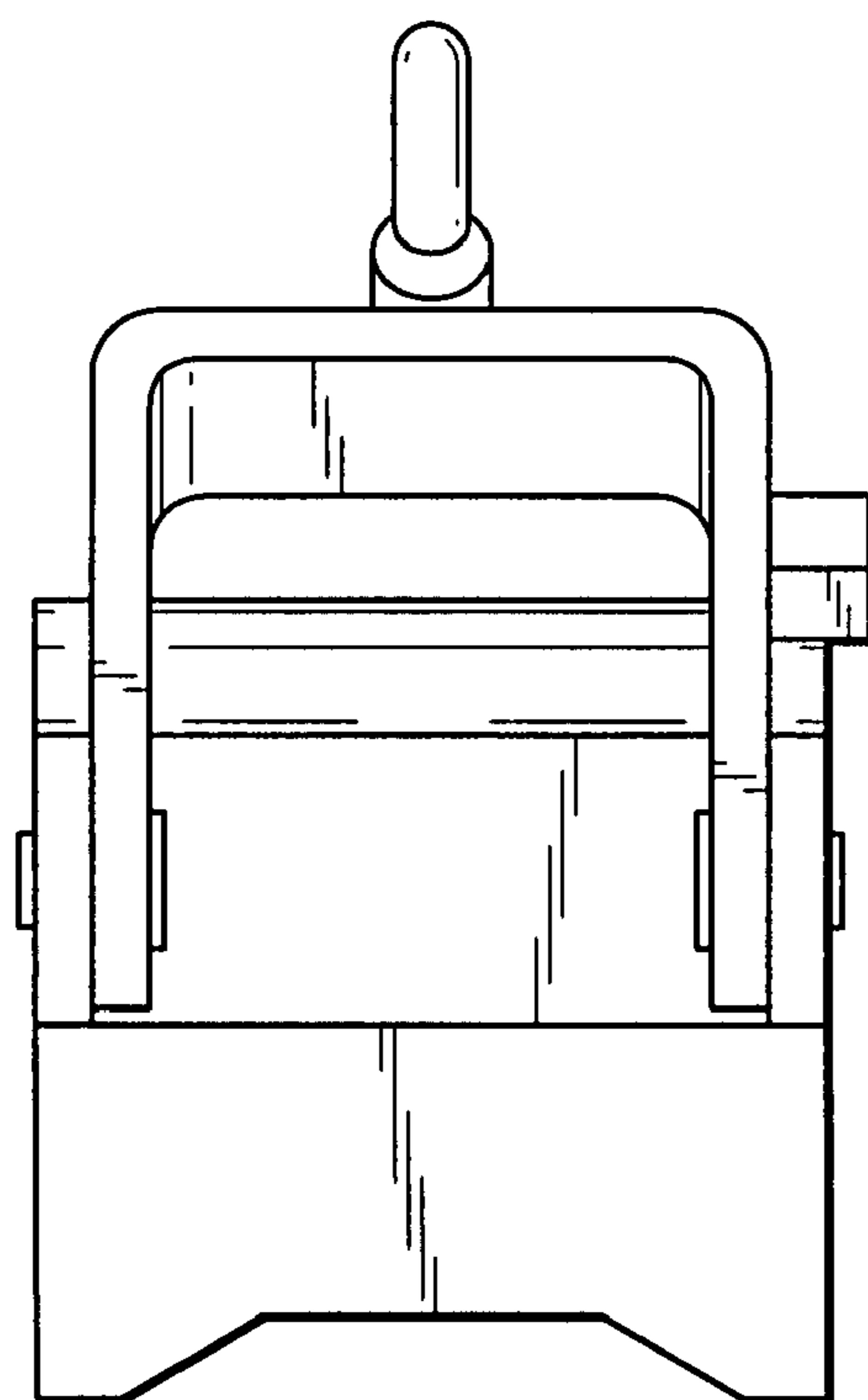
**1 Claim, 4 Drawing Sheets**



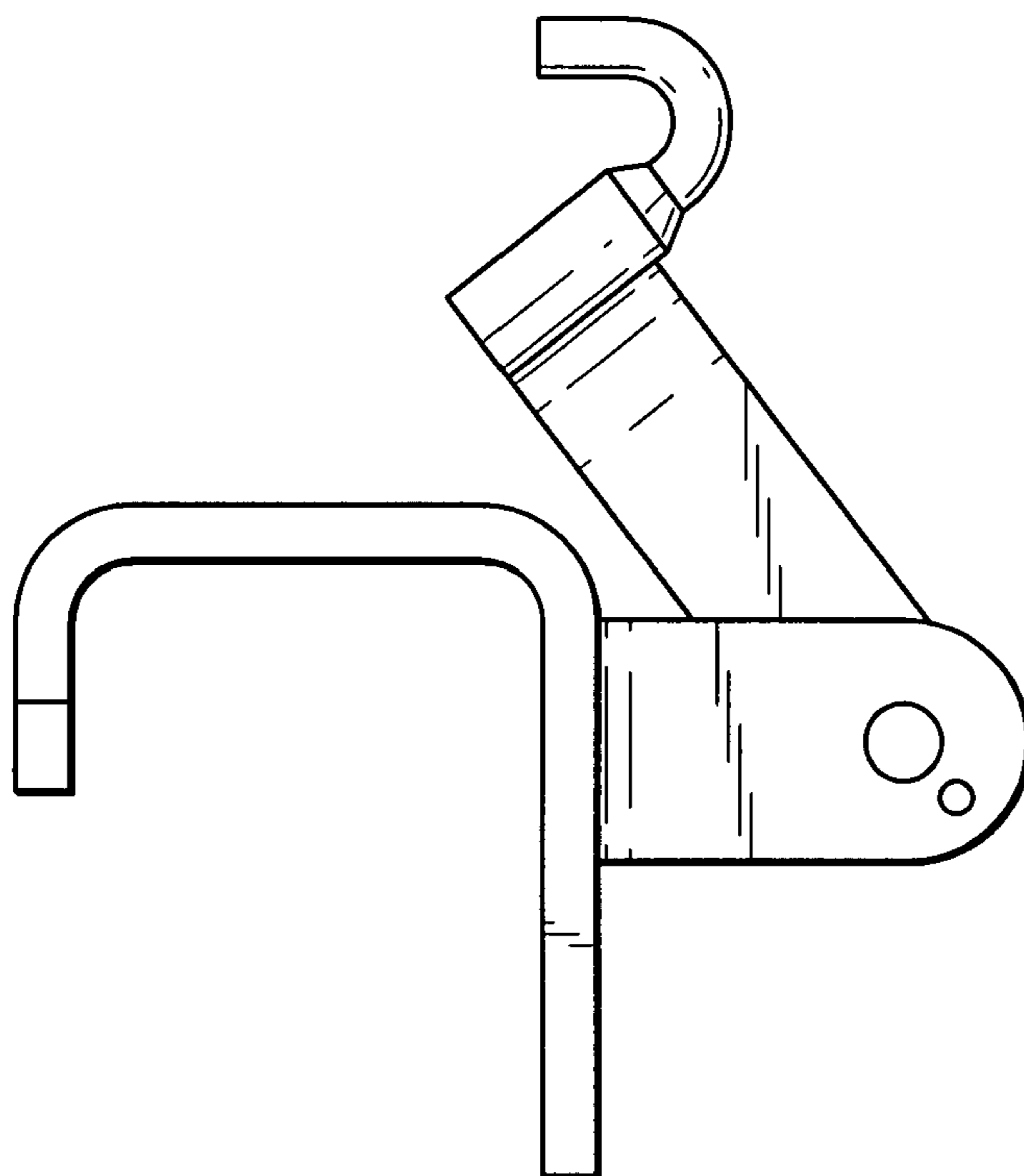
**FIG. 1**



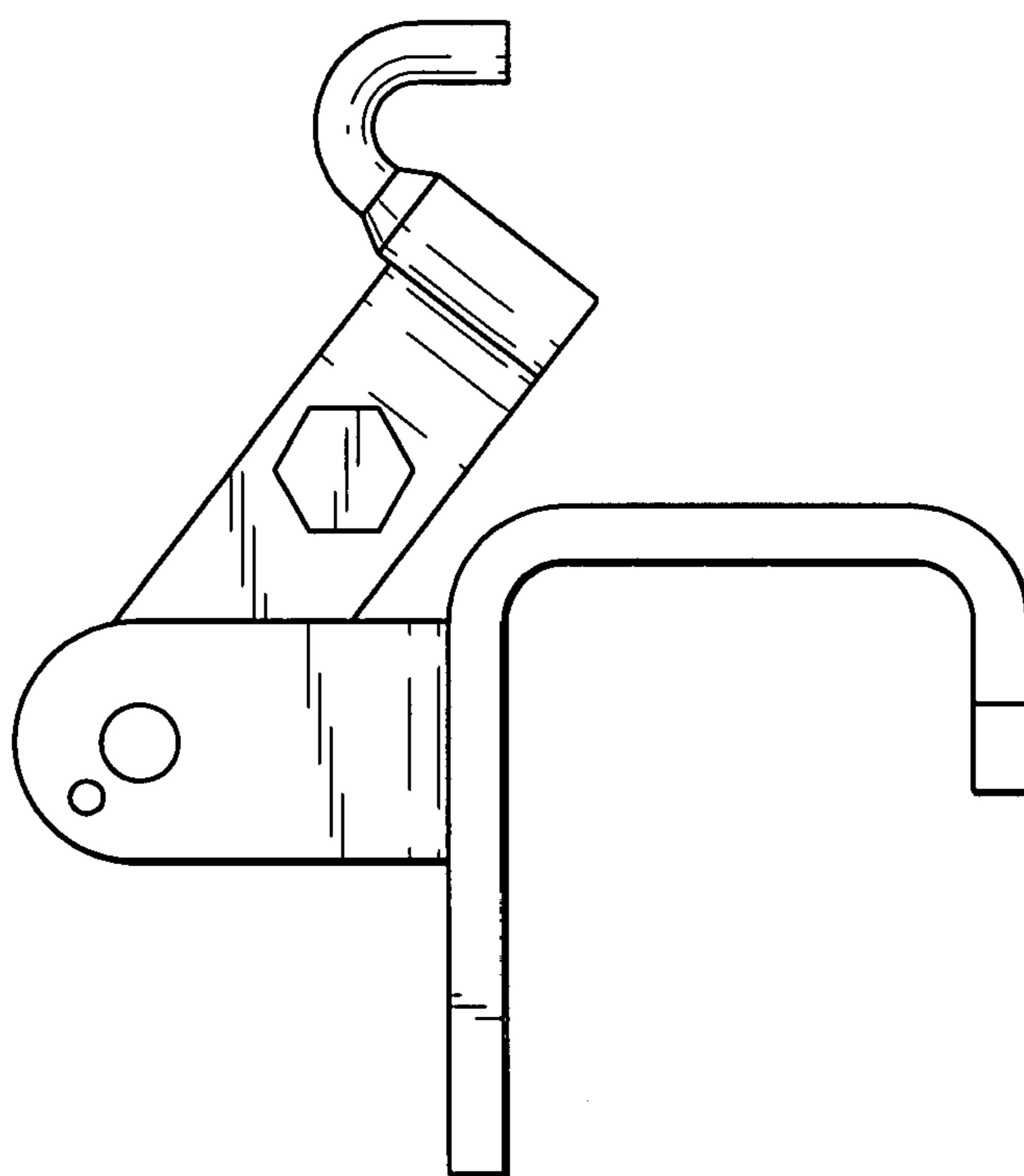
**FIG. 2**



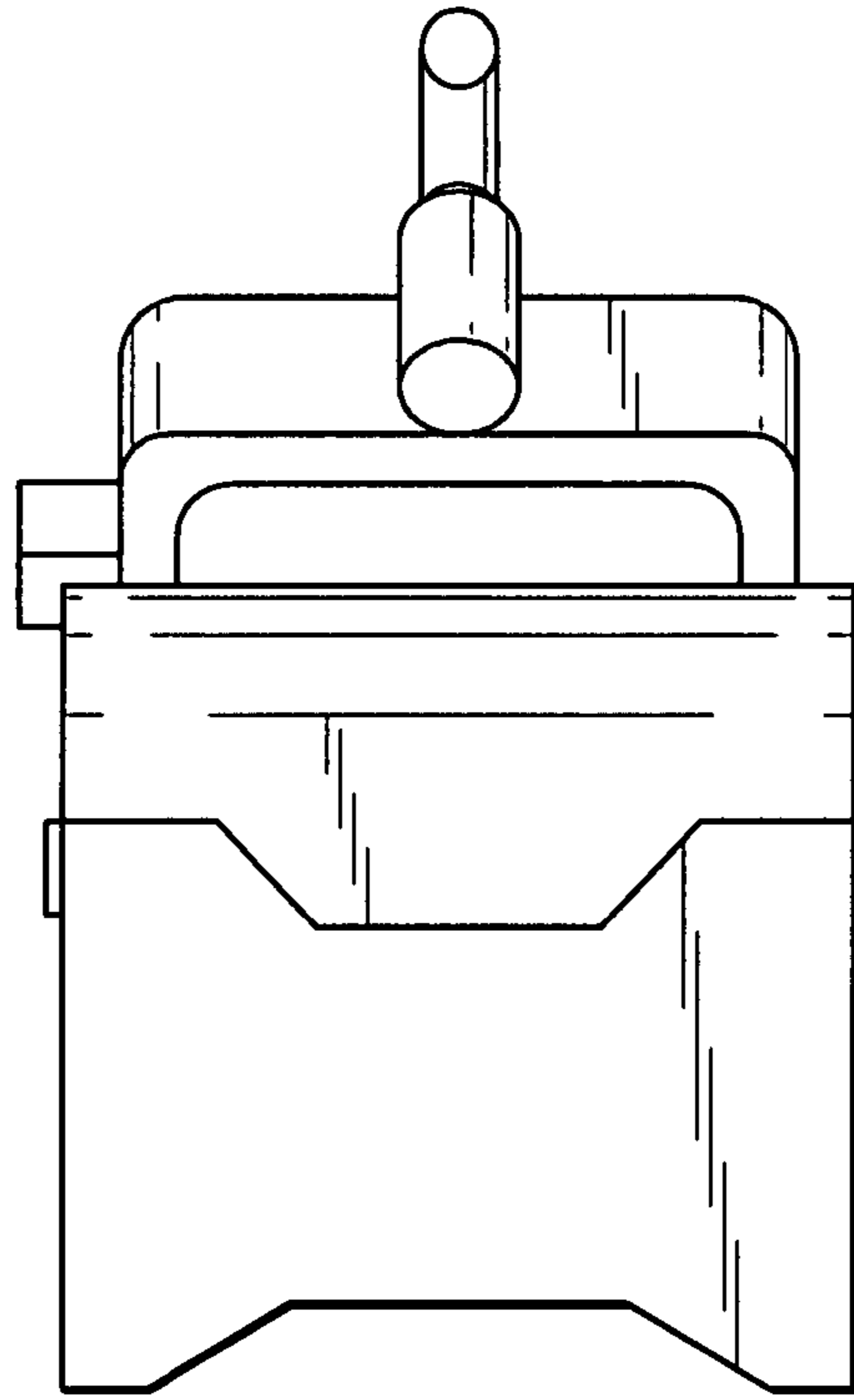
**FIG. 3**



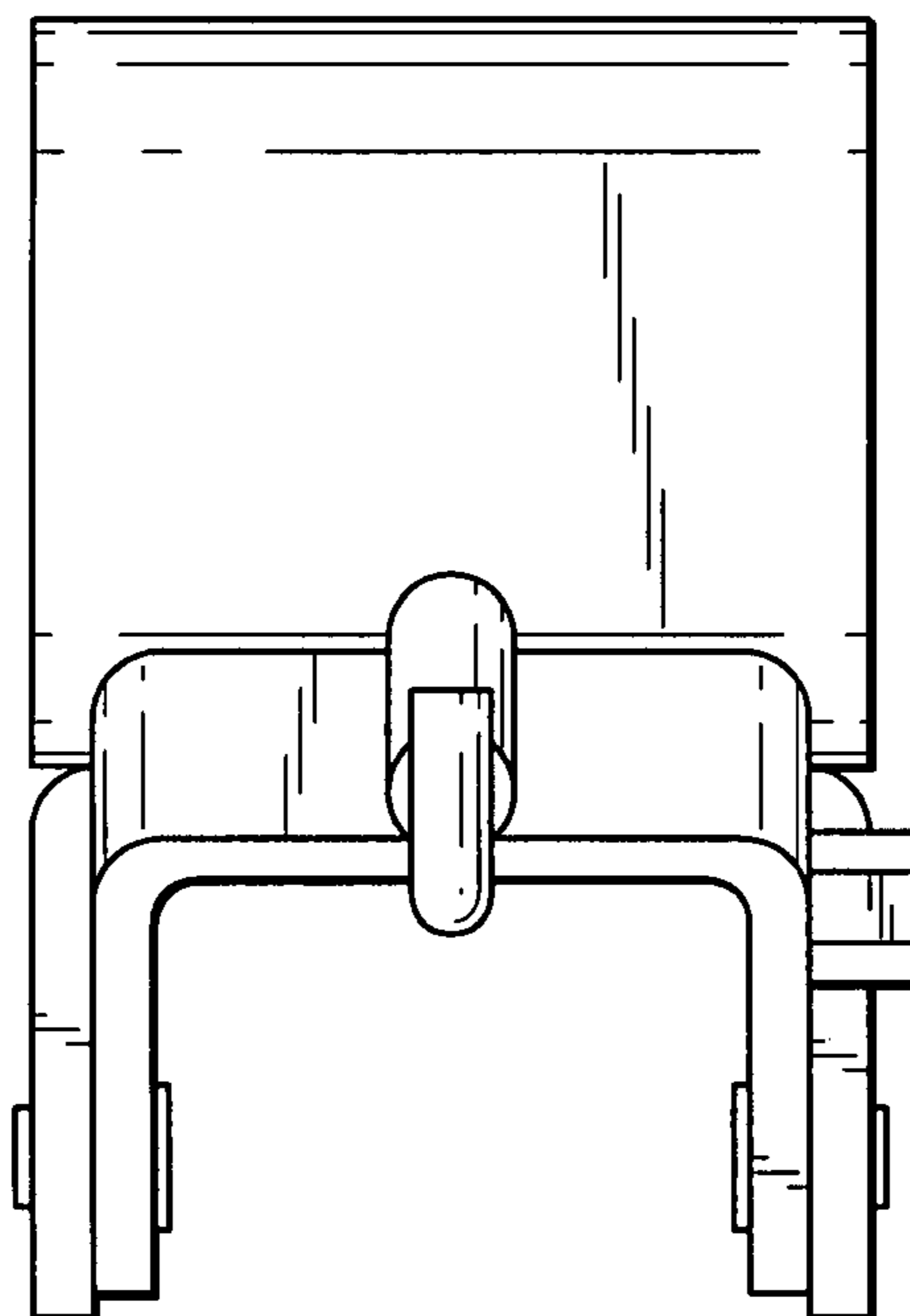
**FIG. 4**



**FIG. 5**



**FIG. 6**



**FIG. 7**

