



US00D557113S

(12) **United States Design Patent**
Anders, III

(10) **Patent No.:** **US D557,113 S**
(45) **Date of Patent:** **** Dec. 11, 2007**

(54) **ROOF TILE ATTACHMENT BRACKET**

2002/0112439 A1* 8/2002 Rosas 52/712

(75) Inventor: **Jesse C. Anders, III**, Boca Raton, FL
(US)

* cited by examiner

(73) Assignee: **Roofbasix, LLC**, Fort Lauderdale, FL
(US)

Primary Examiner—Holly H Baynham
(74) *Attorney, Agent, or Firm*—Gold & Rizvi, P.A.; Glenn E. Gold; H. John Rizvi

(**) Term: **14 Years**

(57) **CLAIM**

(21) Appl. No.: **29/261,474**

I claim the ornamental design for a roof tile attachment bracket, as shown and described.

(22) Filed: **Jun. 14, 2006**

DESCRIPTION

(51) **LOC (8) Cl.** **08-05**

FIG. 1 is an upper left perspective view of the roof tile attachment bracket showing my new design;

(52) **U.S. Cl.** **D8/354**

FIG. 2 is a left or right elevational view thereof;

(58) **Field of Classification Search** D8/349,
D8/354, 380; 248/200, 300; 52/198, 295,
52/189, 296, 712, 714

FIG. 3 is a front or back elevational view thereof;

See application file for complete search history.

FIG. 4 is a straight on view of the angled portions thereof;

FIG. 5 is another straight on view of the angled portions thereof;

(56) **References Cited**

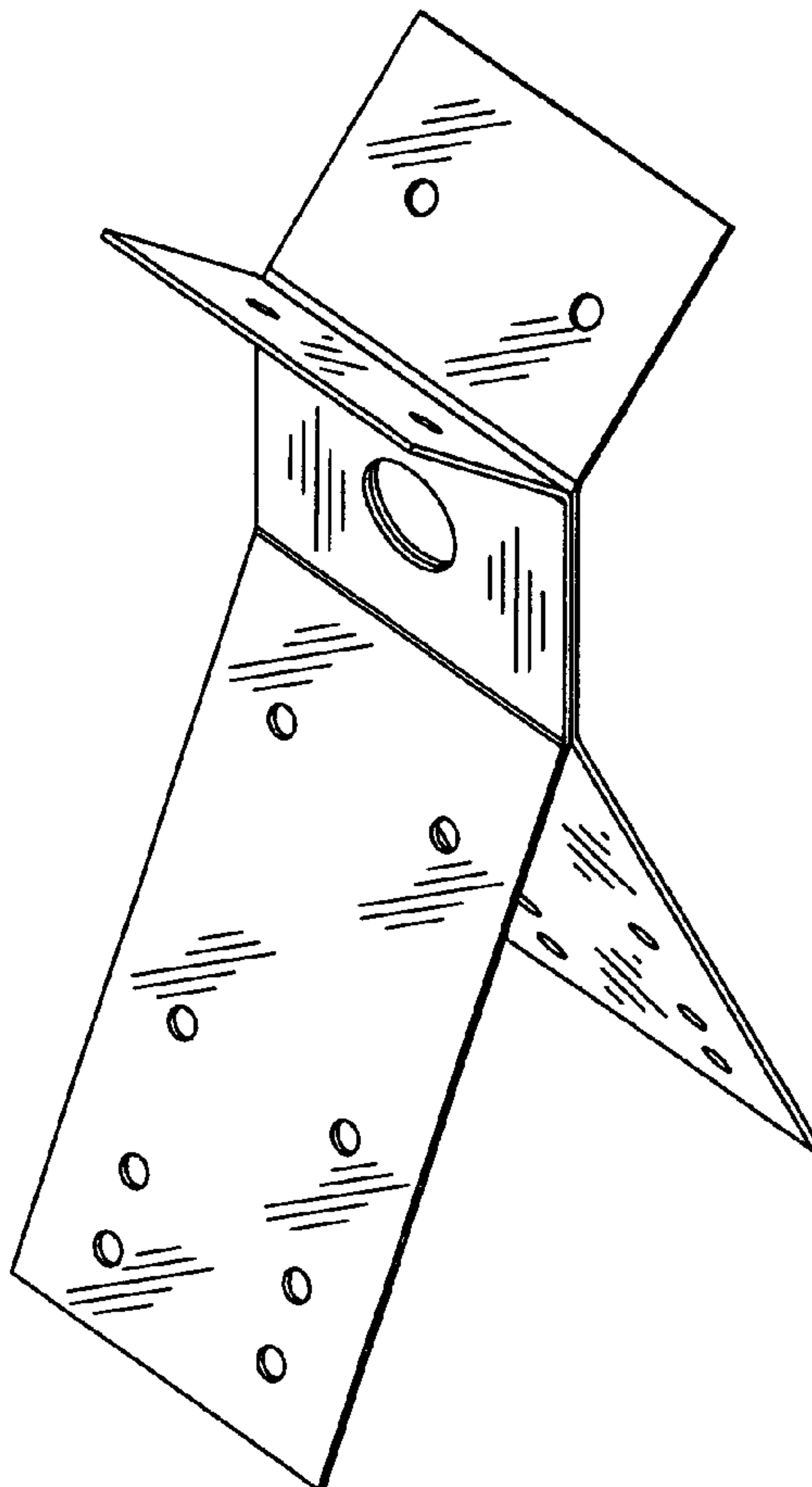
U.S. PATENT DOCUMENTS

3,216,160 A * 11/1965 Best 52/189
D492,889 S * 7/2004 Craine D8/354
D511,086 S * 11/2005 Craine D8/354

FIG. 6 is a top plan view thereof; and,

FIG. 7 is a bottom plan view thereof.

1 Claim, 4 Drawing Sheets



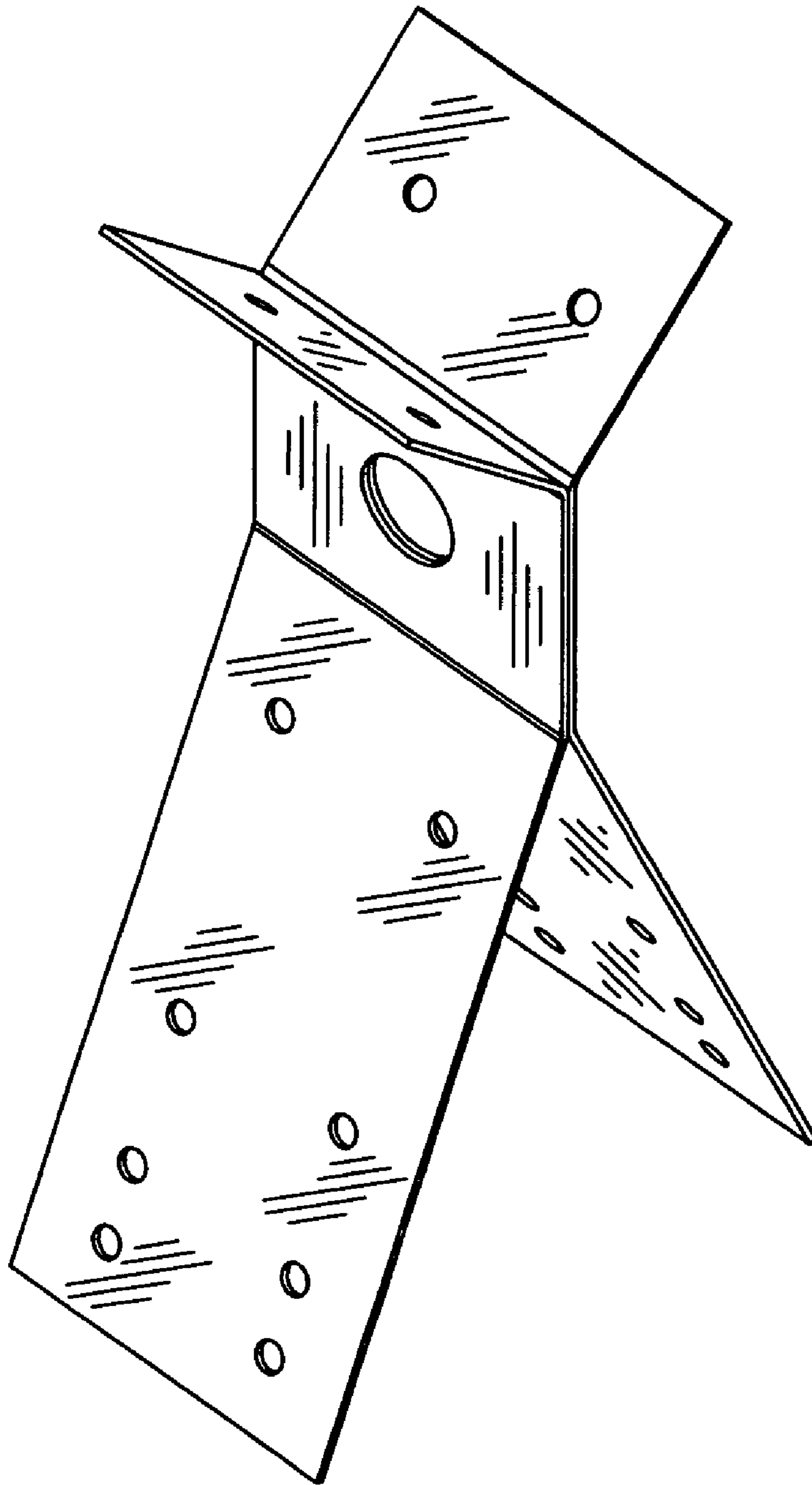


FIG. 1

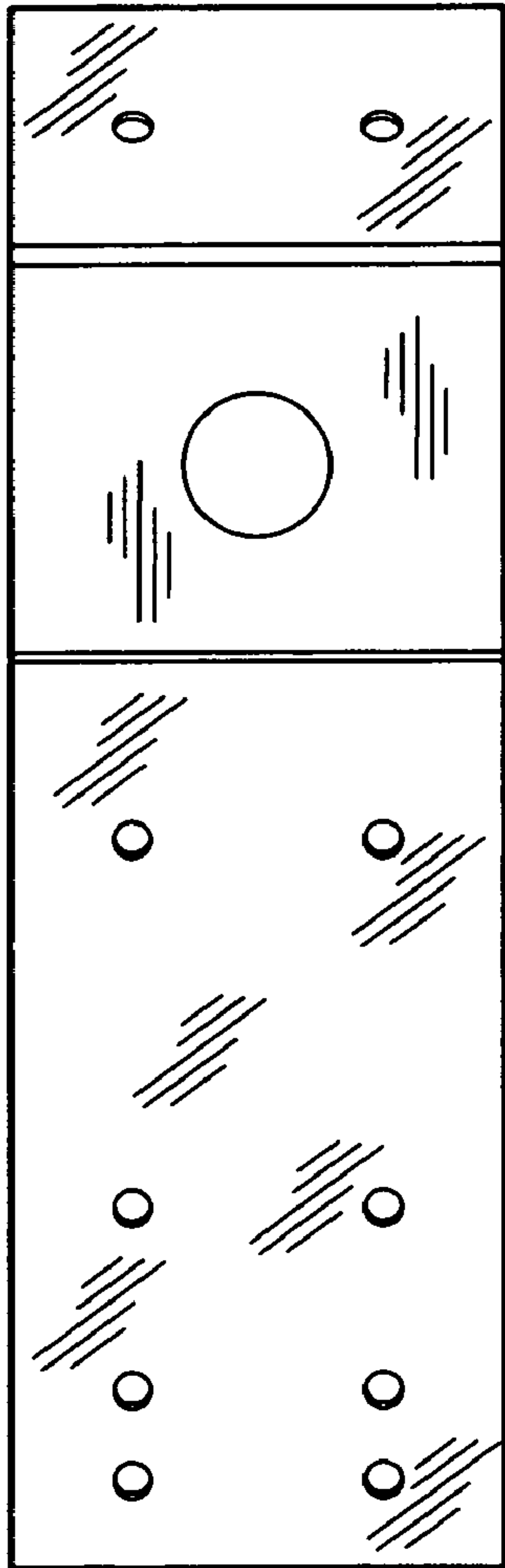


FIG. 2

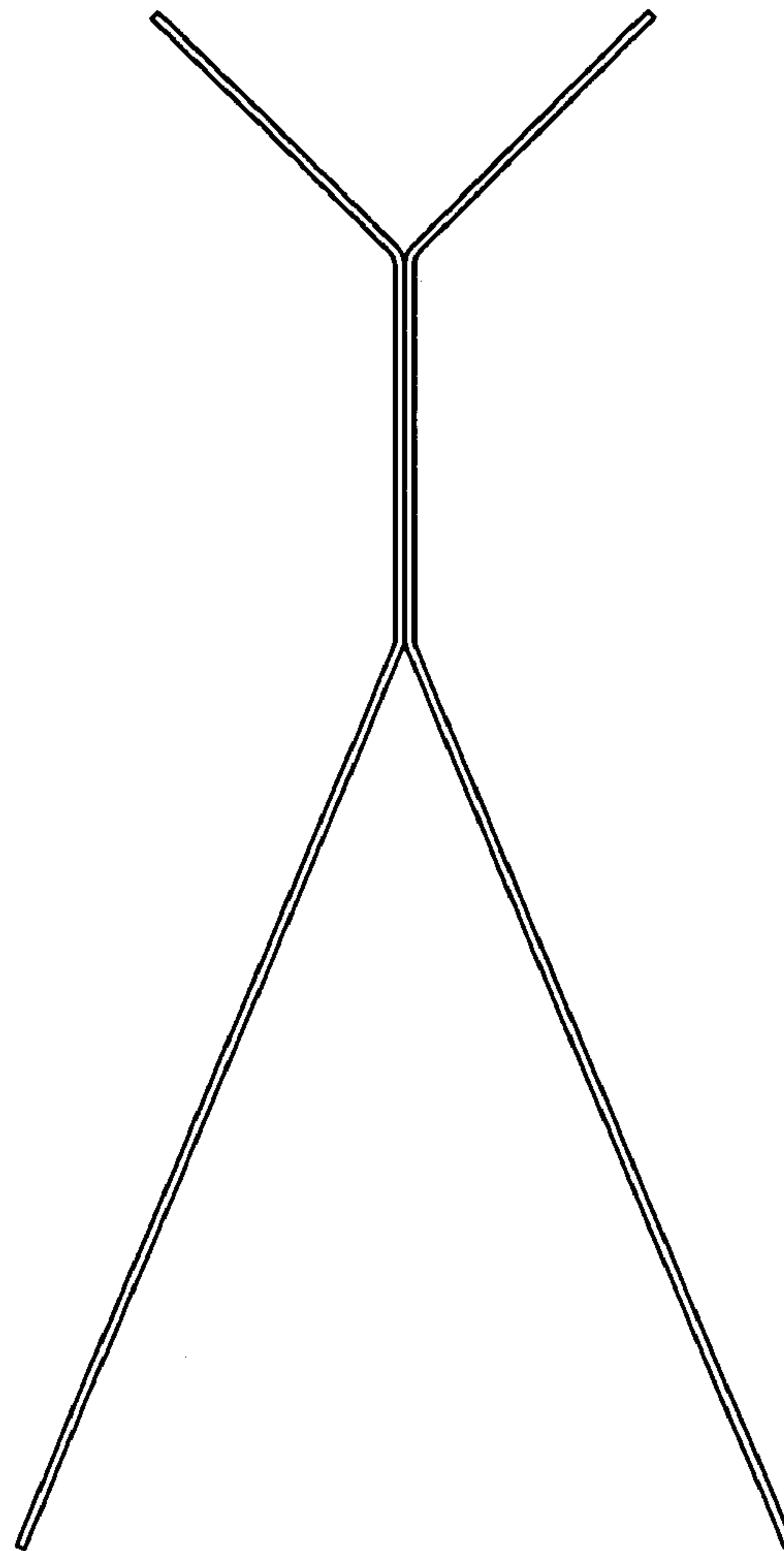


FIG. 3

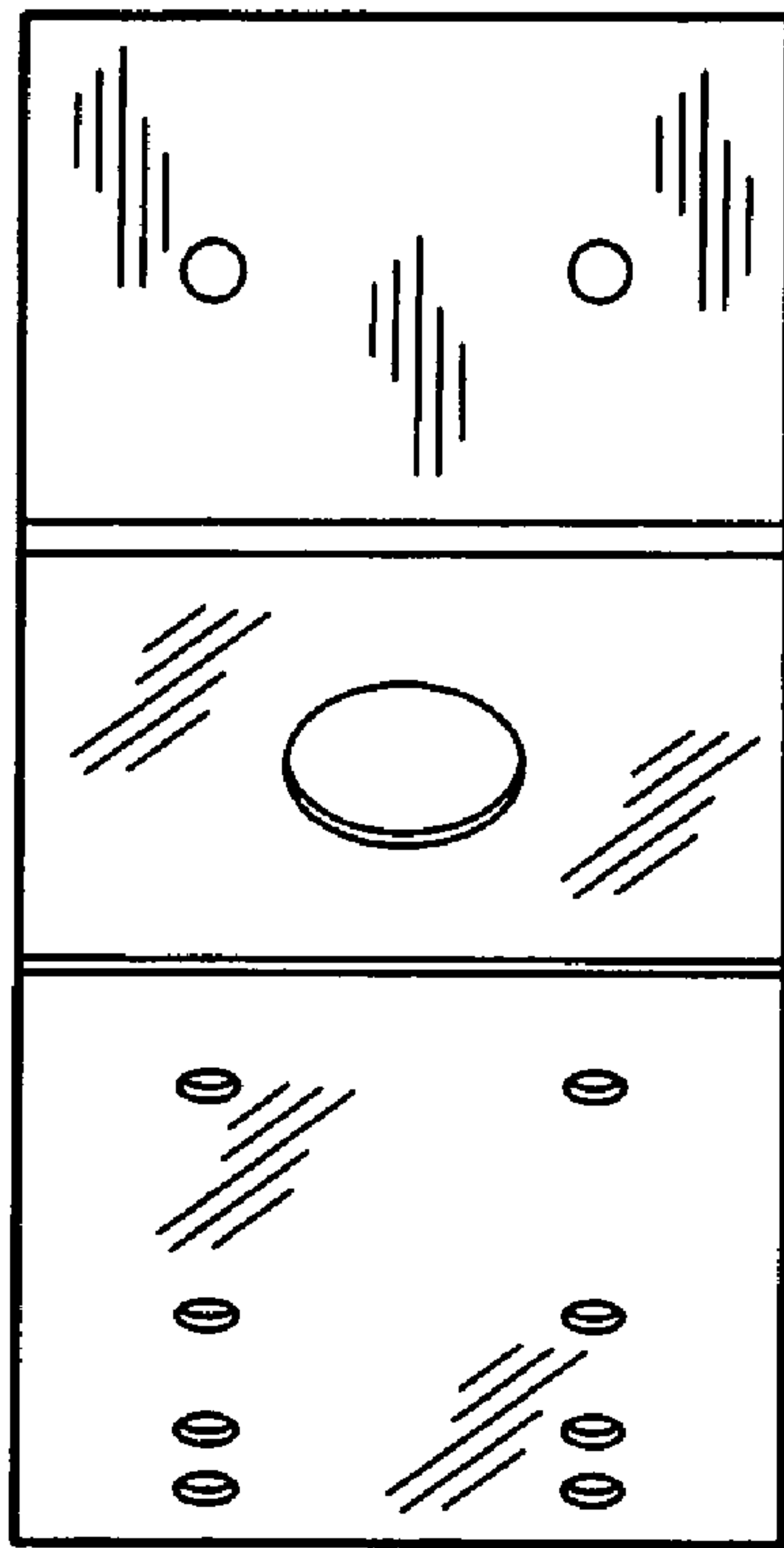


FIG. 4

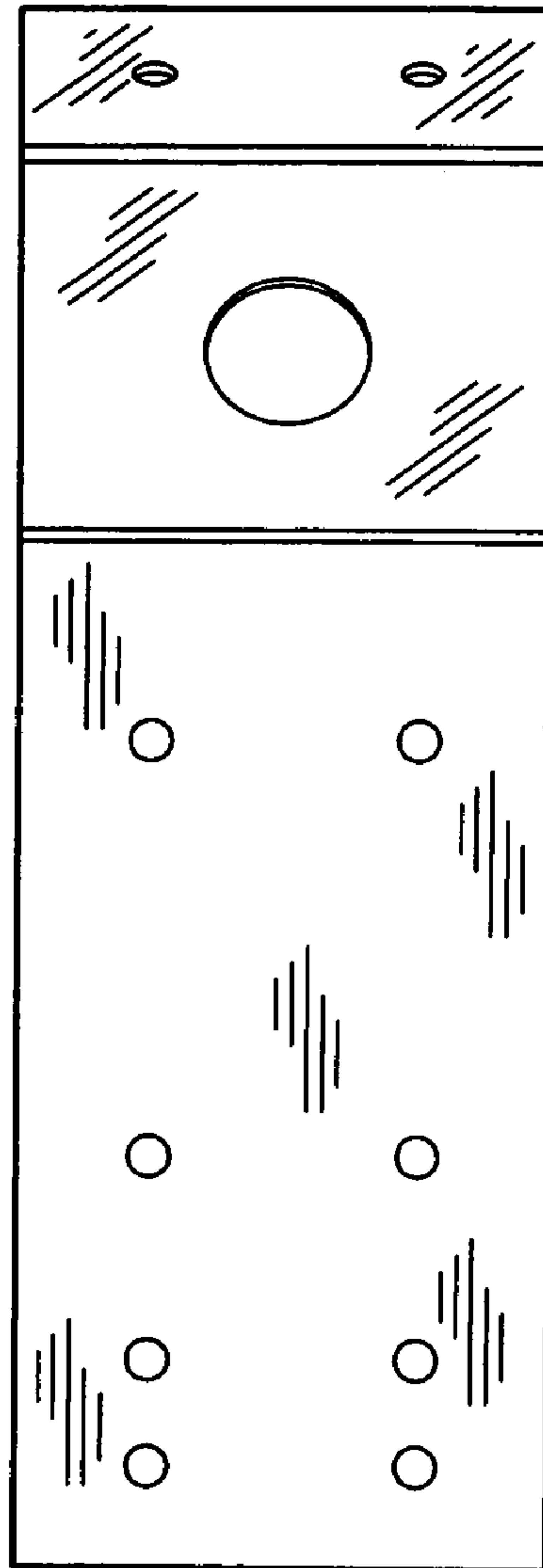


FIG. 5

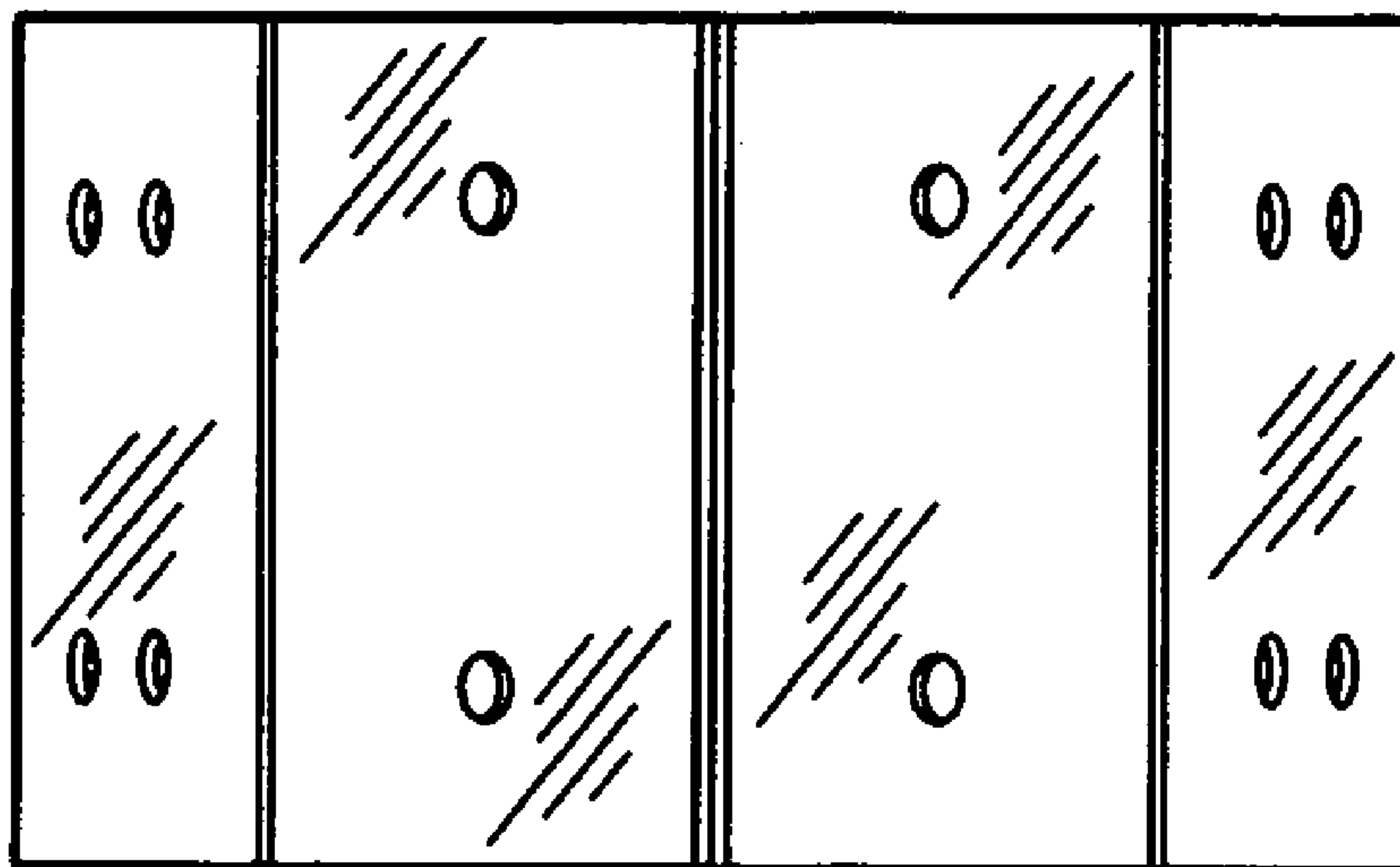


FIG. 6

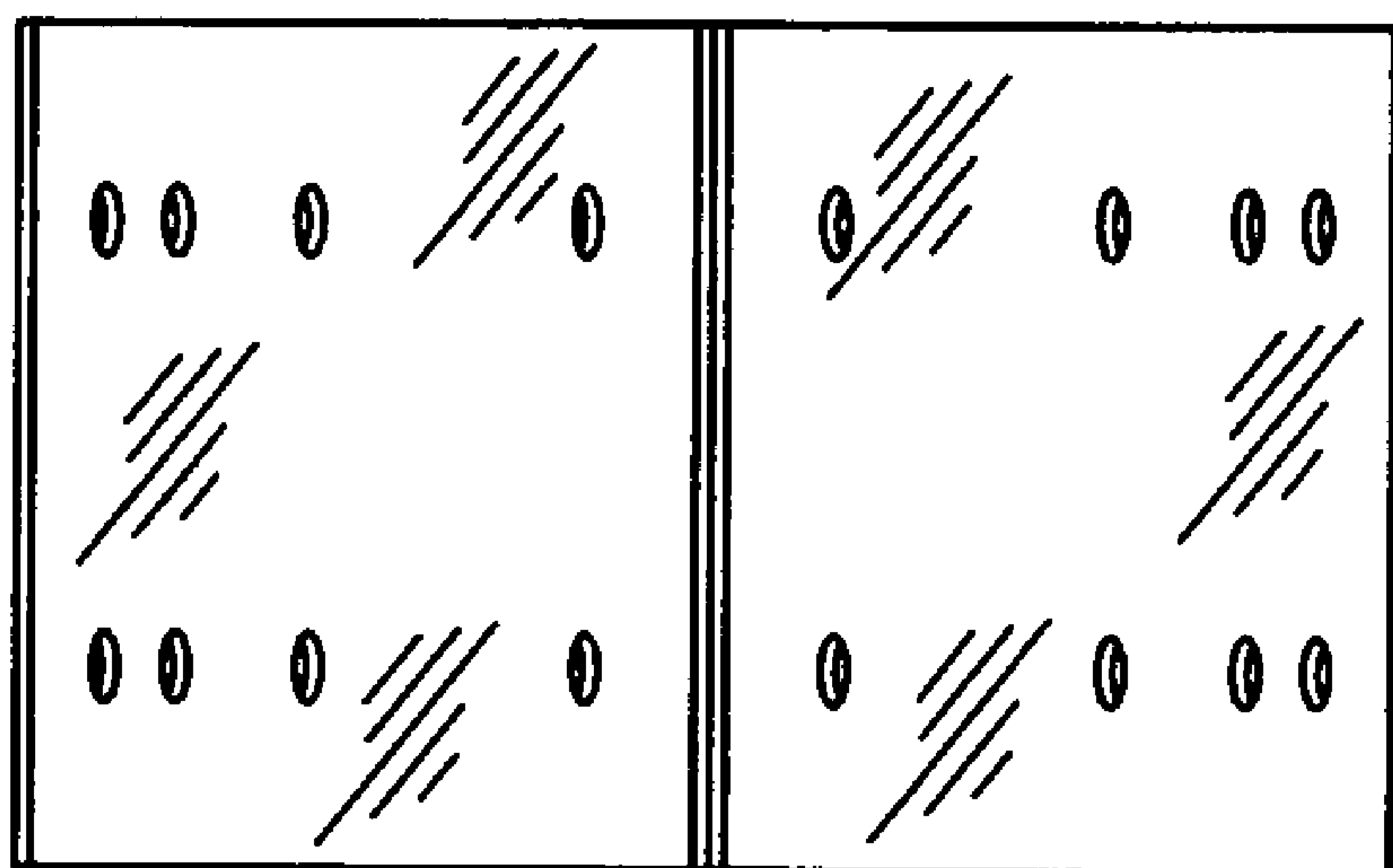


FIG. 7