



US00D557112S

(12) **United States Design Patent**
Franssen

(10) **Patent No.:** **US D557,112 S**

(45) **Date of Patent:** **** Dec. 11, 2007**

(54) **MOUNTING PROFILE FOR THE HEAD
RAIL OF A COVERING FOR AN
ARCHITECTURAL OPENING**

D407,296 S * 3/1999 Nagato D8/354
D506,381 S * 6/2005 Lu D8/349

* cited by examiner

(75) Inventor: **Johannes Robertus Maria Franssen**,
Breda (NL)

Primary Examiner—Holly H. Baynham

(74) *Attorney, Agent, or Firm*—Dorsey & Whitney LLP

(73) Assignee: **Hunter Douglas Industries BV** (NL)

(57) **CLAIM**

(**) Term: **14 Years**

I claim the design for a mounting profile for the head rail of a covering for an architectural opening, as shown and described.

(21) Appl. No.: **29/256,534**

(22) Filed: **Mar. 22, 2006**

DESCRIPTION

(30) **Foreign Application Priority Data**

Nov. 2, 2005 (EM) 000428016-0001

FIG. 1 is an isometric of the mounting profile of the present invention mounted on a head rail shown in dashed lines, which is not part of the design.

(51) **LOC (8) Cl.** **08-05**

(52) **U.S. Cl.** **D8/349**

(58) **Field of Classification Search** D8/349,
D8/354; D25/119, 122; 52/768
See application file for complete search history.

FIG. 2 is an isometric of the mounting profile shown in FIG. 1.

FIG. 3 is a top plan view of the mounting profile.

FIG. 4 is a left end elevation of the mounting profile.

FIG. 5 is a front elevation of the mounting profile.

FIG. 6 is a bottom plan view of the mounting profile.

FIG. 7 is a right end elevation of the mounting profile; and,

FIG. 8 is a rear elevation of the mounting profile.

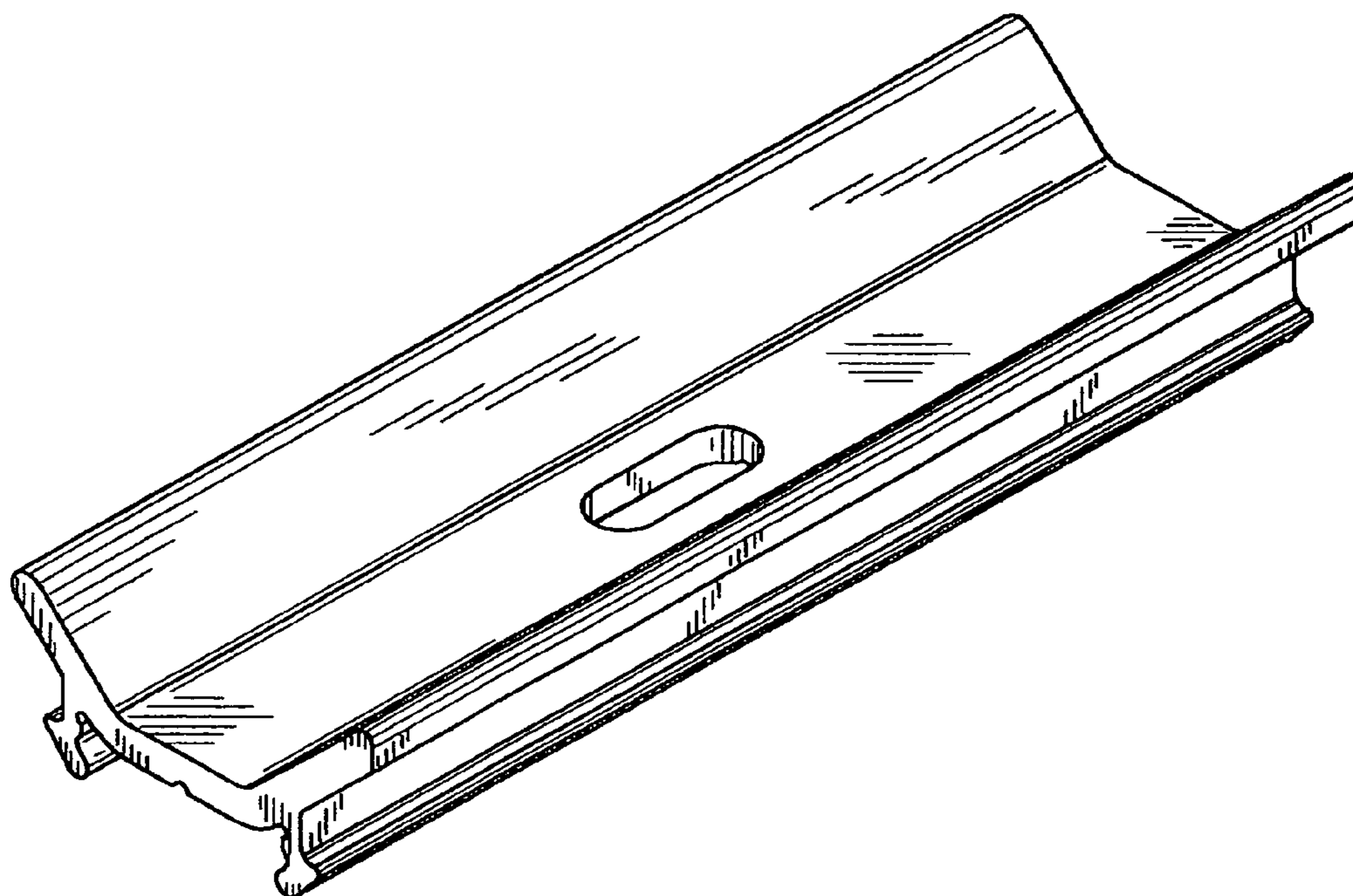
The broken line showing of rail structure is included for the purpose of illustrating environment and forms no part of the claimed design.

(56) **References Cited**

U.S. PATENT DOCUMENTS

2,087,516 A * 7/1937 Hunt 52/768
D251,445 S * 3/1979 Bancroft et al. D25/119
4,406,435 A * 9/1983 Anderson 248/261
D283,293 S * 4/1986 Bancroft D8/300
D283,294 S * 4/1986 Bancroft D8/300
D361,709 S * 8/1995 Fortenbery D8/349
D404,637 S * 1/1999 Nagato D8/354

1 Claim, 3 Drawing Sheets



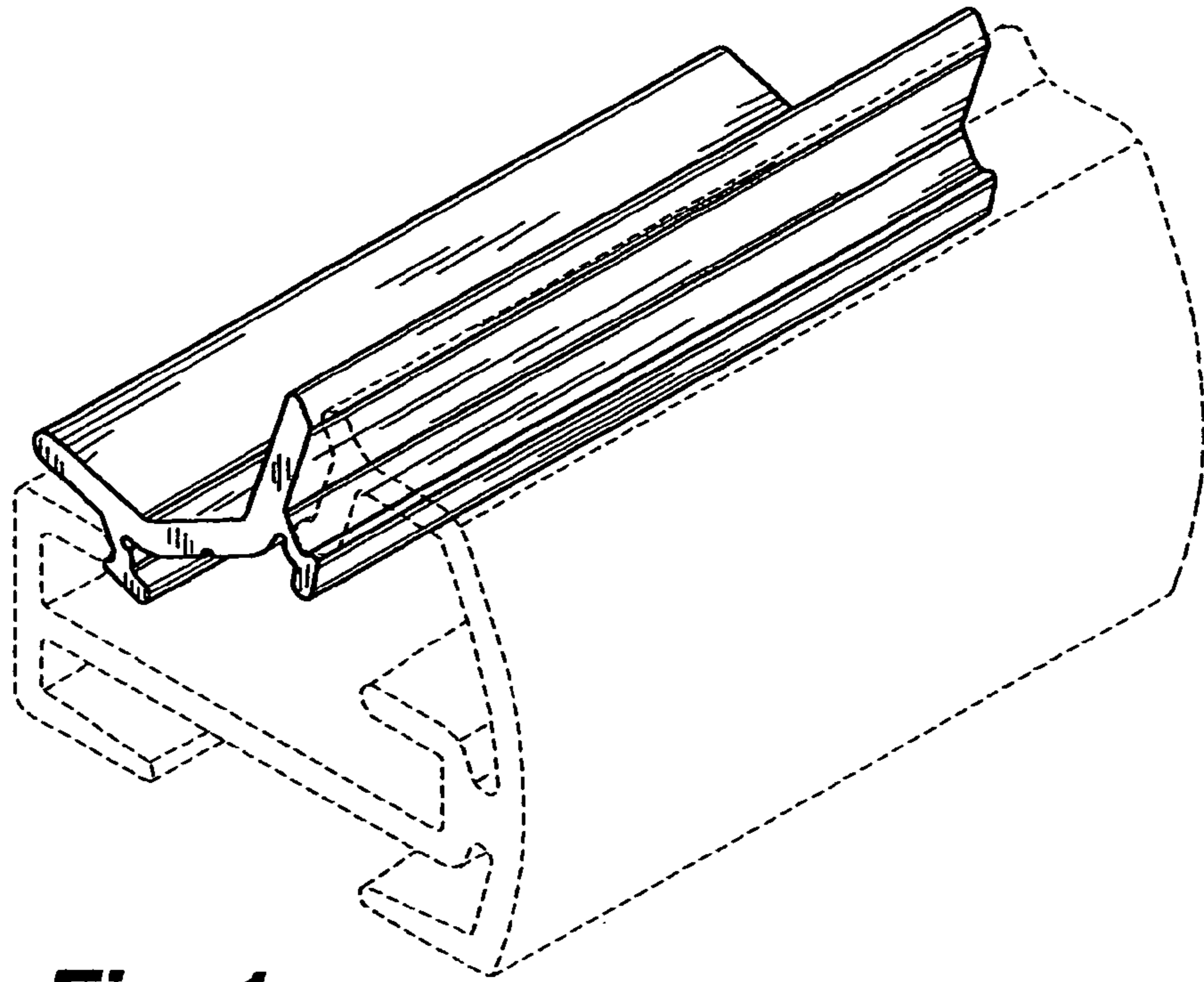


Fig. 1

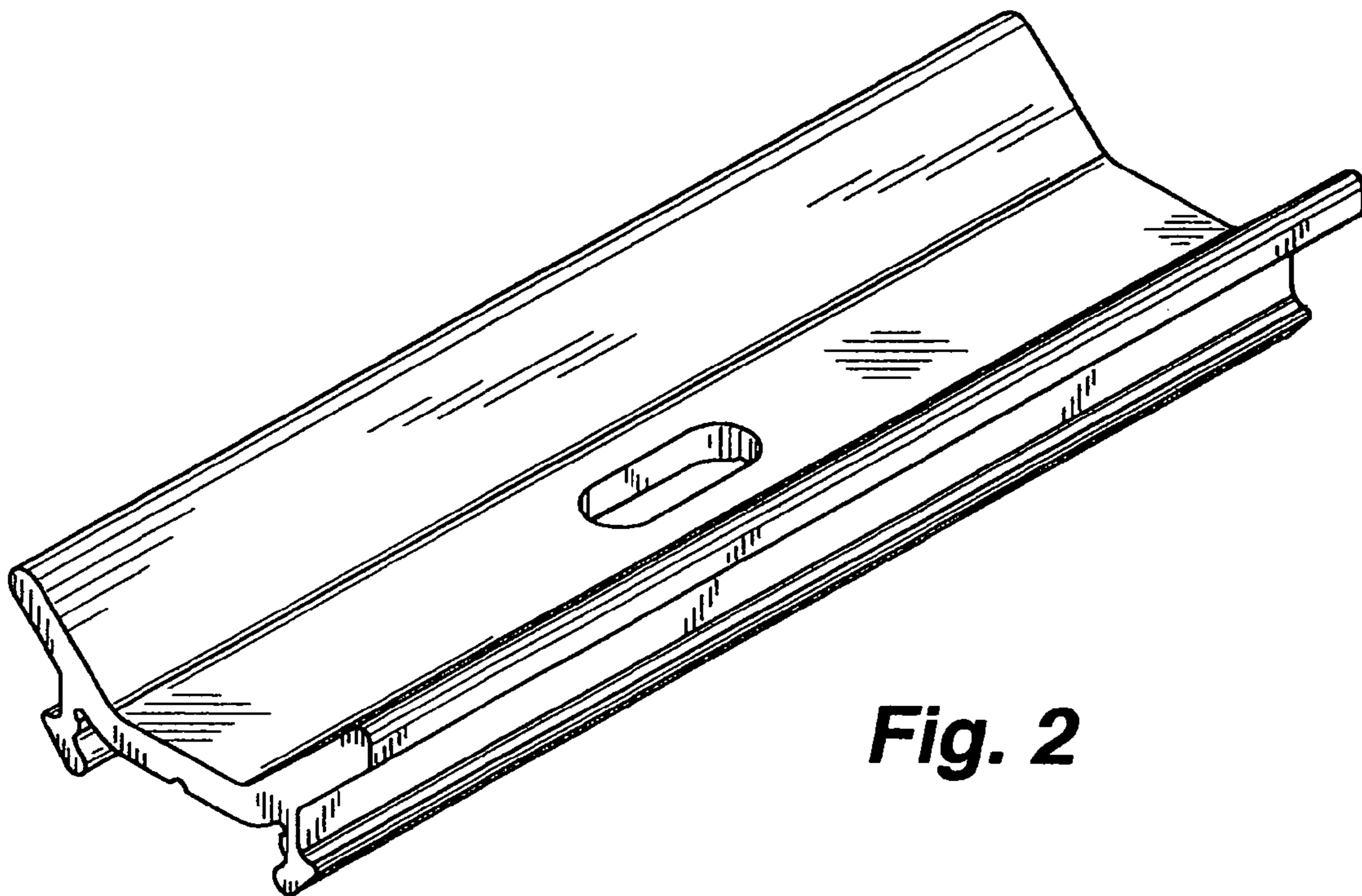


Fig. 2

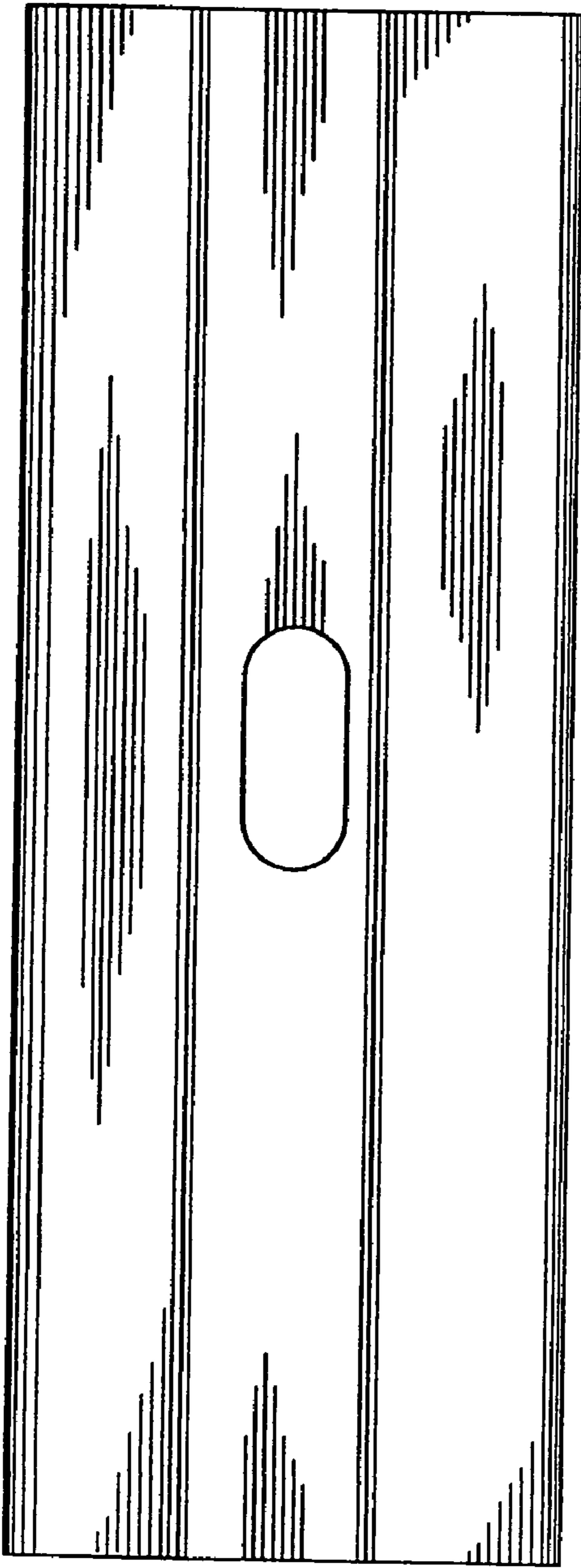


Fig. 3

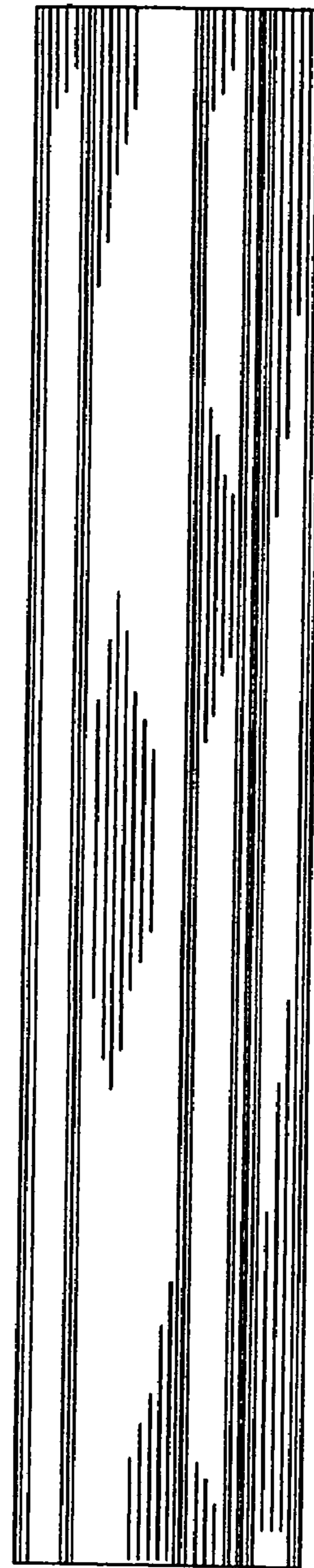


Fig. 5

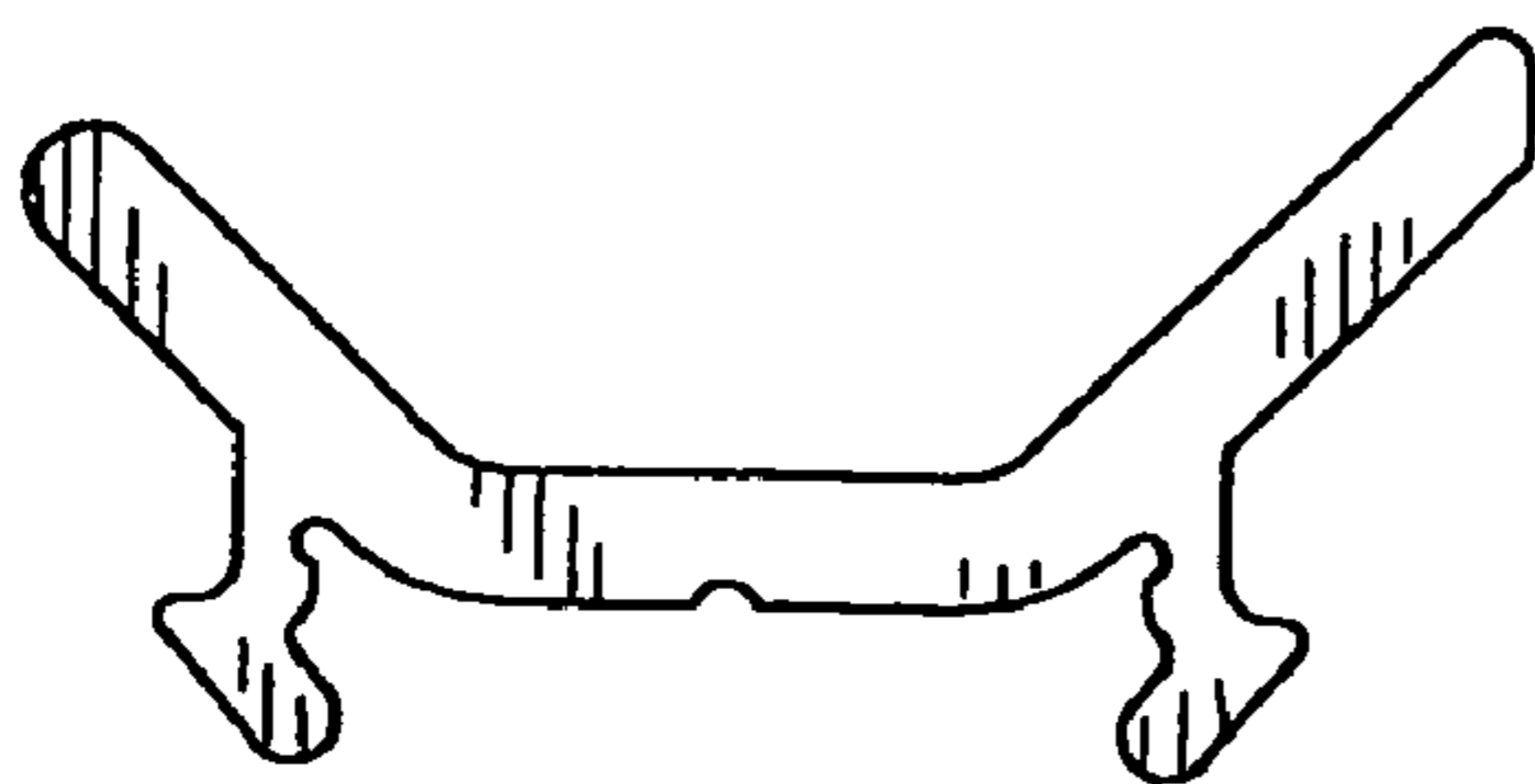


Fig. 4

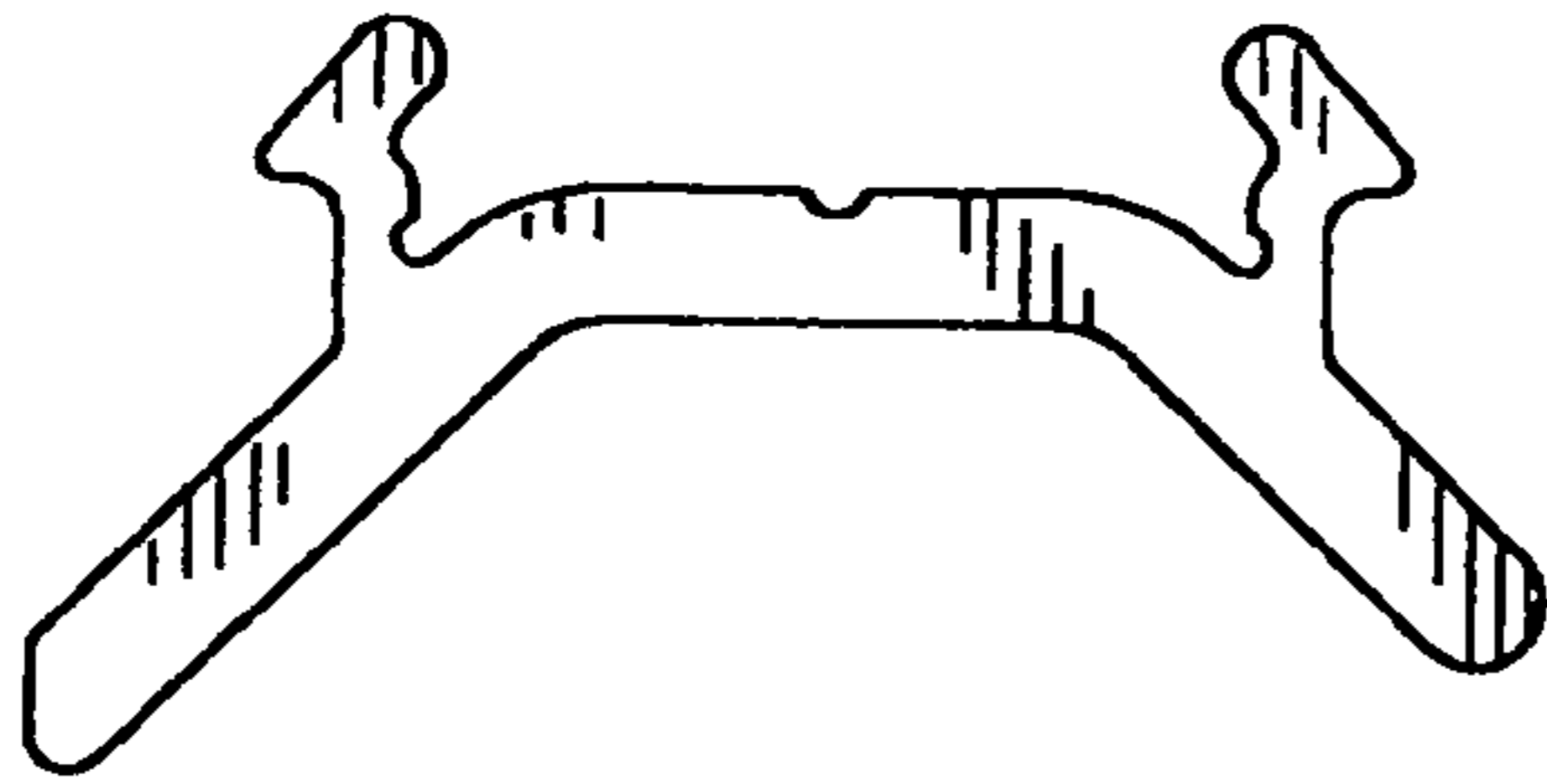


Fig. 7

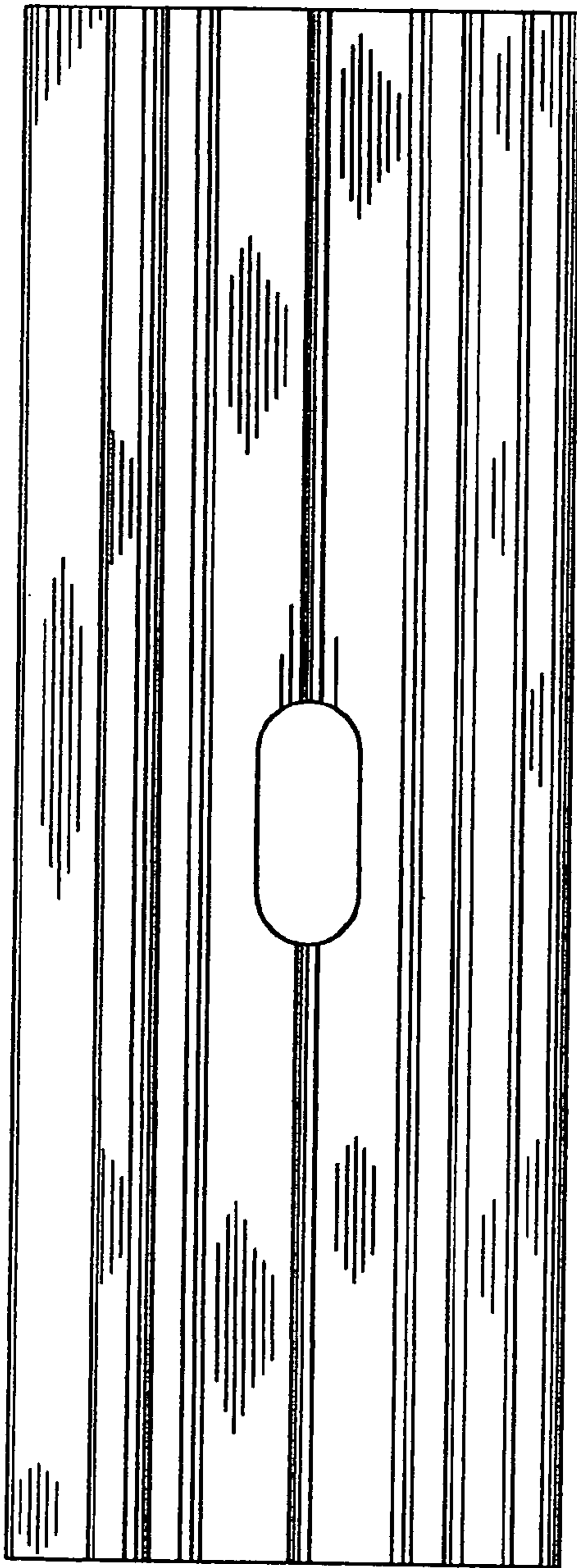


Fig. 6

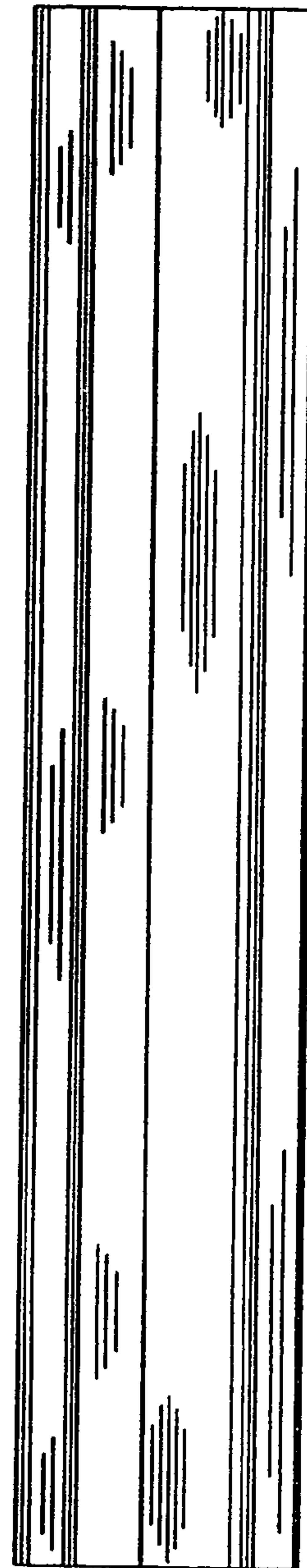


Fig. 8