

US00D557111S

(12) **United States Design Patent** (10) **Patent No.:** **US D557,111 S**  
**Ydremark et al.** (45) **Date of Patent:** **\*\* Dec. 11, 2007**

(54) **REMOTE KEY**

(75) Inventors: **Hanna Ydremark**, Stockholm (SE);  
**Elisabet Broms**, Stockholm (SE);  
**Mattias Widerstedt**, Nacka (SE)

(73) Assignee: **ASSA AB**, Eskilstuna (SE)

(\*\*) Term: **14 Years**

(21) Appl. No.: **29/271,030**

(22) Filed: **Jan. 9, 2007**

**Related U.S. Application Data**

(62) Division of application No. 29/225,734, filed on Mar. 21, 2005.

**Foreign Application Priority Data**

Sep. 21, 2004 (EP) ..... 00023410900010005

(51) **LOC (8) Cl.** ..... **08-07**

(52) **U.S. Cl.** ..... **D8/347; D3/208; D13/168**

(58) **Field of Classification Search** ..... **D8/330-348;**  
**D3/207-212; D13/168; 341/20, 176, 825.22,**  
**341/825.23, 825.24, 825.25, 825.31, 825.32;**  
**24/3.6, 381, 385, 415-417, 427-431**

See application file for complete search history.

(56) **References Cited**

**U.S. PATENT DOCUMENTS**

D366,229	S	*	1/1996	Barnett	.....	D3/208
D380,895	S	*	7/1997	Tsui	.....	D3/208
D441,185	S	*	5/2001	Shimizu et al.	.....	D3/207
D441,524	S	*	5/2001	Shimizu et al.	.....	D3/207
D461,047	S	*	8/2002	Peterson	.....	D3/208
D514,527	S	*	2/2006	DiPasquale	.....	D13/168
D531,009	S	*	10/2006	Waldron	.....	D8/347

\* cited by examiner

*Primary Examiner*—Mitchell Siegel

(74) *Attorney, Agent, or Firm*—Sughrue Mion, PLLC

(57) **CLAIM**

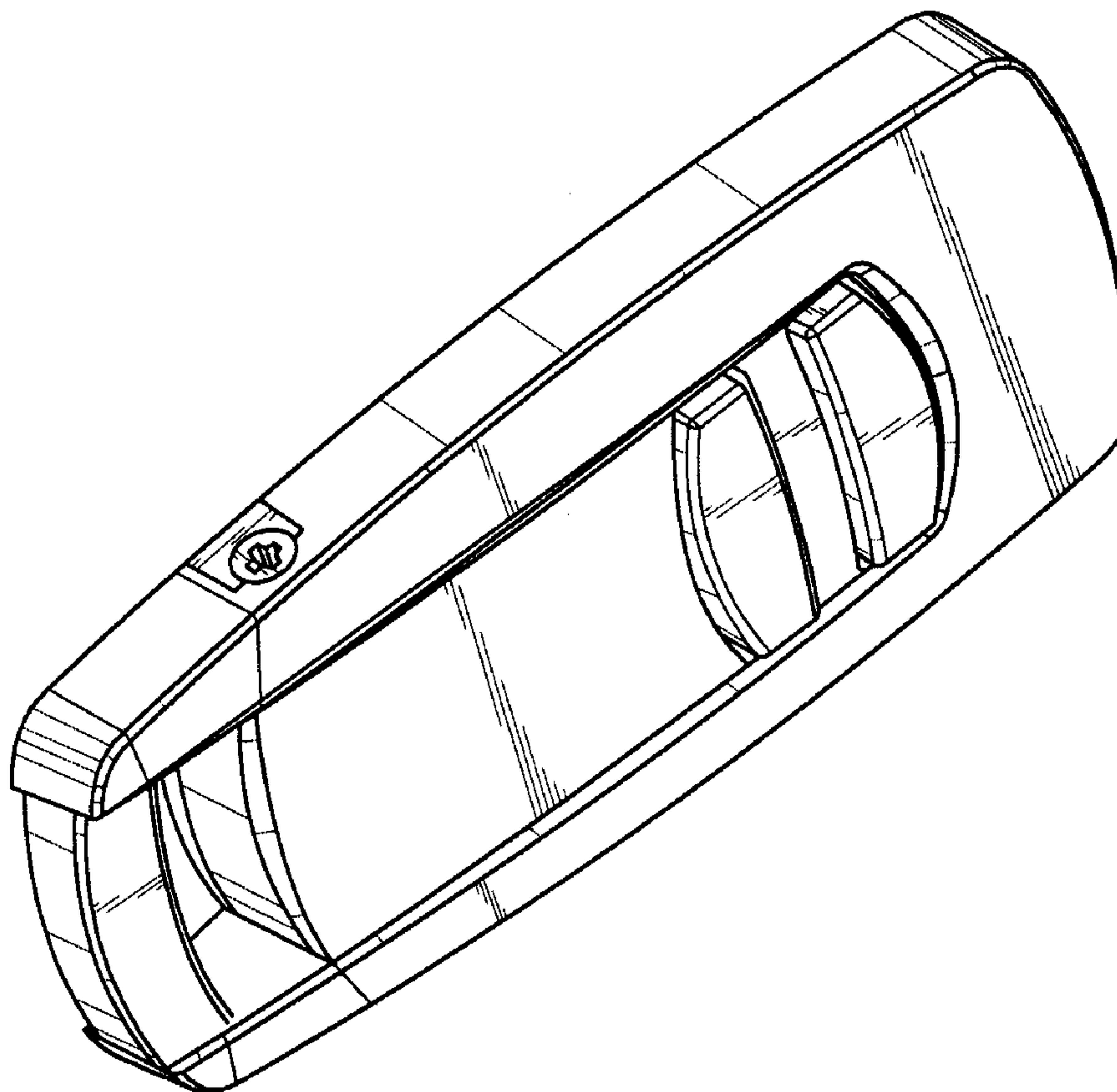
The ornamental design for a remote key, as shown.

**DESCRIPTION**

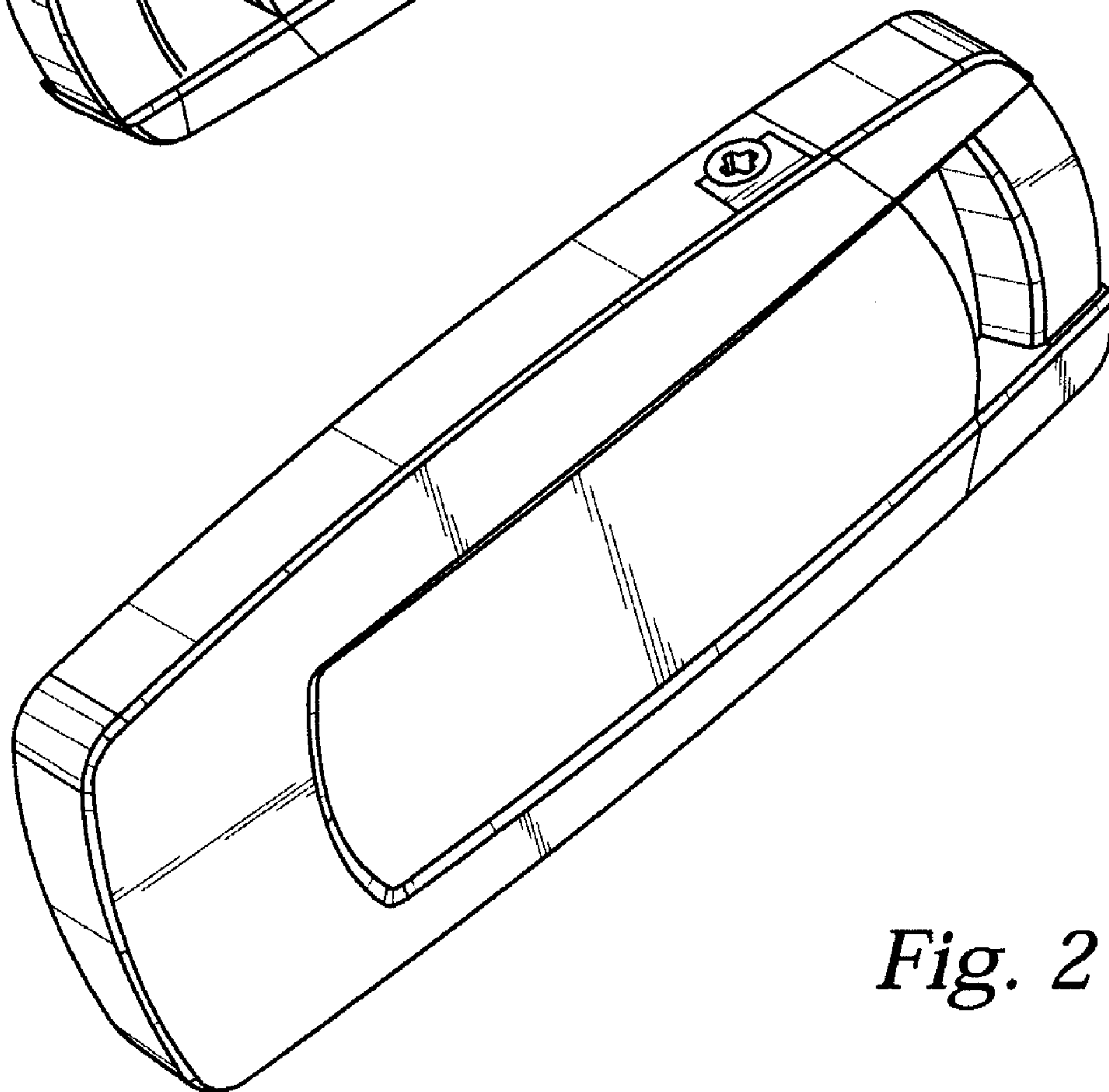
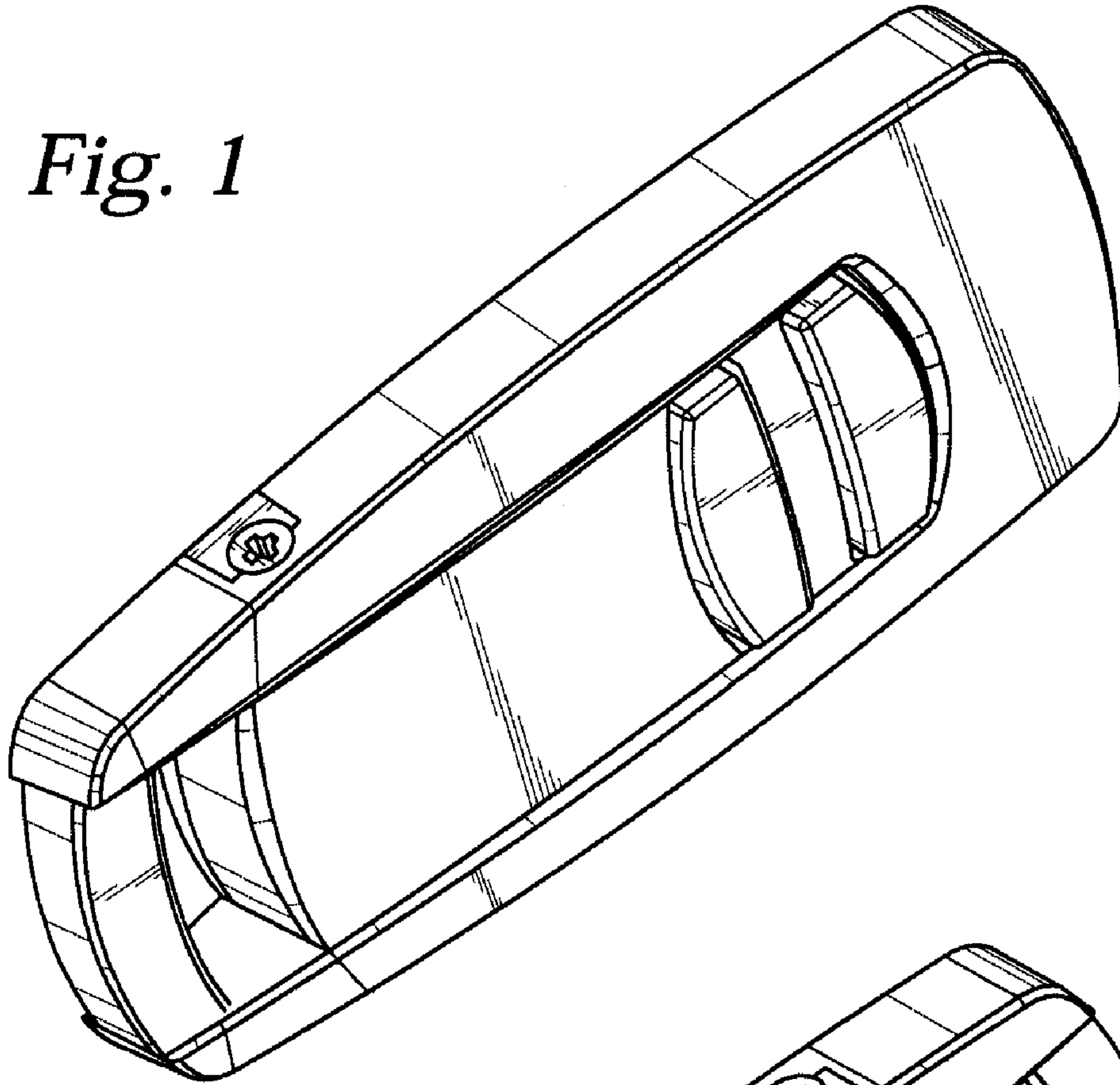
FIG. 1 is a perspective view of one side of a remote key showing our new design; and,

FIG. 2 is a perspective view of the other side thereof.

**1 Claim, 1 Drawing Sheet**



*Fig. 1*



*Fig. 2*