



US00D557107S

(12) **United States Design Patent**  
**Van Handel et al.**

(10) **Patent No.:** **US D557,107 S**

(45) **Date of Patent:** **\*\* Dec. 11, 2007**

(54) **LOCK**

(75) Inventors: **Mark Van Handel**, Milwaukee, WI  
(US); **Chris Smyczek**, Greenfield, WI  
(US); **Chris Rohde**, West Allis, WI  
(US)

(73) Assignee: **Master Lock Company LLC**, Oak  
Creek, WI (US)

(\*\*) Term: **14 Years**

(21) Appl. No.: **29/216,722**

(22) Filed: **Nov. 8, 2004**

(51) **LOC (8) Cl.** ..... **08-07**

(52) **U.S. Cl.** ..... **D8/334**

(58) **Field of Classification Search** ..... D8/330-348;  
70/20, 22, 24, 31, 35, 51-52, 54-56, 41-48  
See application file for complete search history.

(56) **References Cited**

U.S. PATENT DOCUMENTS

228,619 A	6/1880	Estes et al.
745,064 A	11/1903	Katzenberger
825,735 A	7/1906	Katzenberger
3,756,046 A	9/1973	Jeh
3,952,559 A	4/1976	Atkinson
4,422,311 A	12/1983	Zabel et al.
4,476,698 A	10/1984	Treslo
D406,043 S	2/1999	LeClaire

D425,398 S *	5/2000	Fiegener et al. ....	D8/334
6,298,694 B1	10/2001	Knoll	
6,718,803 B2	4/2004	Knoll	
D512,900 S *	12/2005	Tarter et al. ....	D8/334
D516,408 S *	3/2006	Kearns et al. ....	D8/334
D517,396 S *	3/2006	Tarter et al. ....	D8/334

\* cited by examiner

*Primary Examiner*—Mitchell Siegel

(74) *Attorney, Agent, or Firm*—Calfee, Halter & Griswold,  
LLP

(57) **CLAIM**

The ornamental design for a lock, as shown and described.

**DESCRIPTION**

FIG. 1 is a perspective view of a fourth embodiment of the design of the present invention;

FIG. 2 is a top view of the lock shown in FIG. 1;

FIG. 3 is a front view of the lock shown in FIG. 1;

FIG. 4 is a back view of the lock shown in FIG. 1;

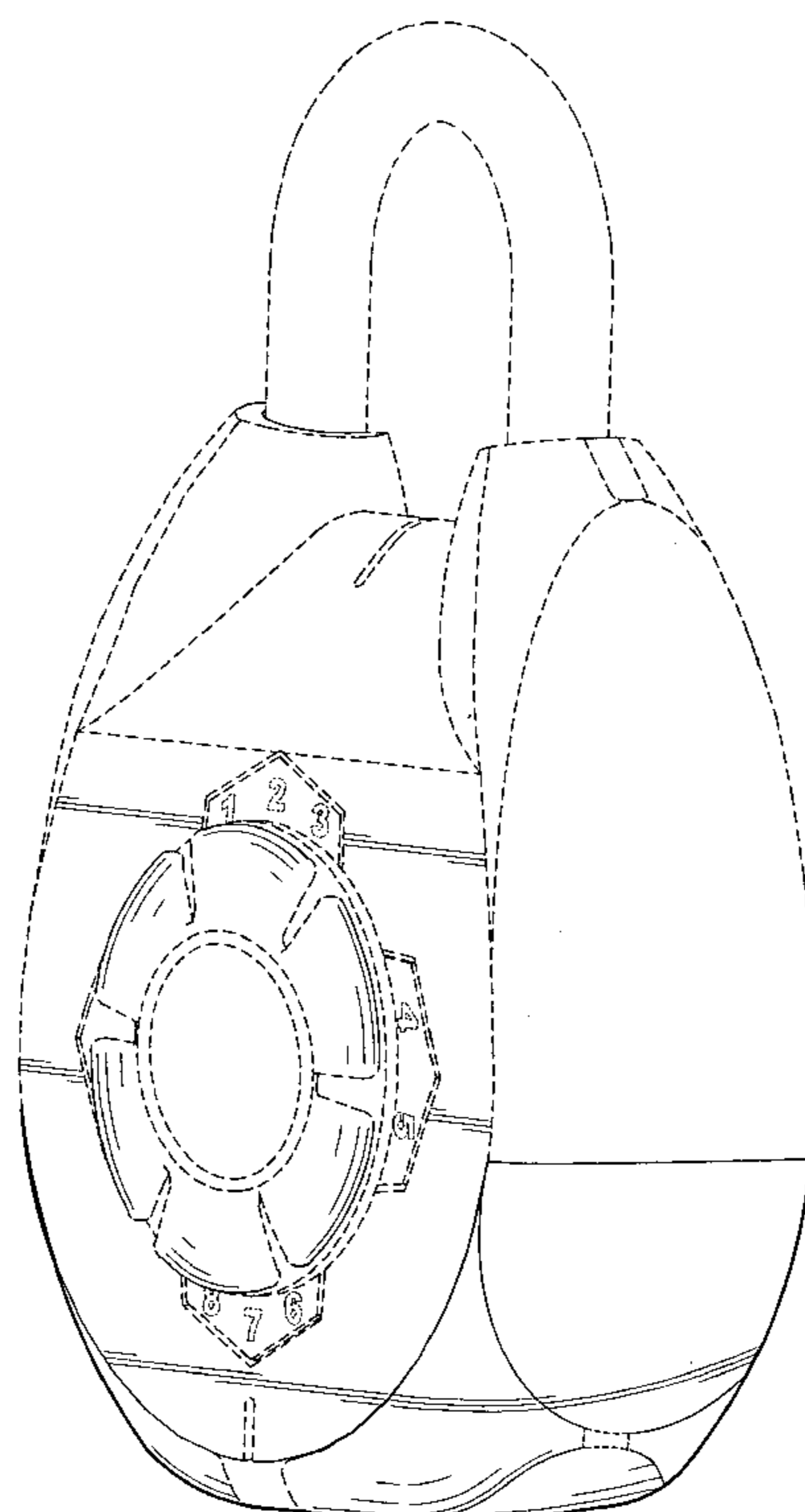
FIG. 5 is a bottom view of the lock shown in FIG. 1;

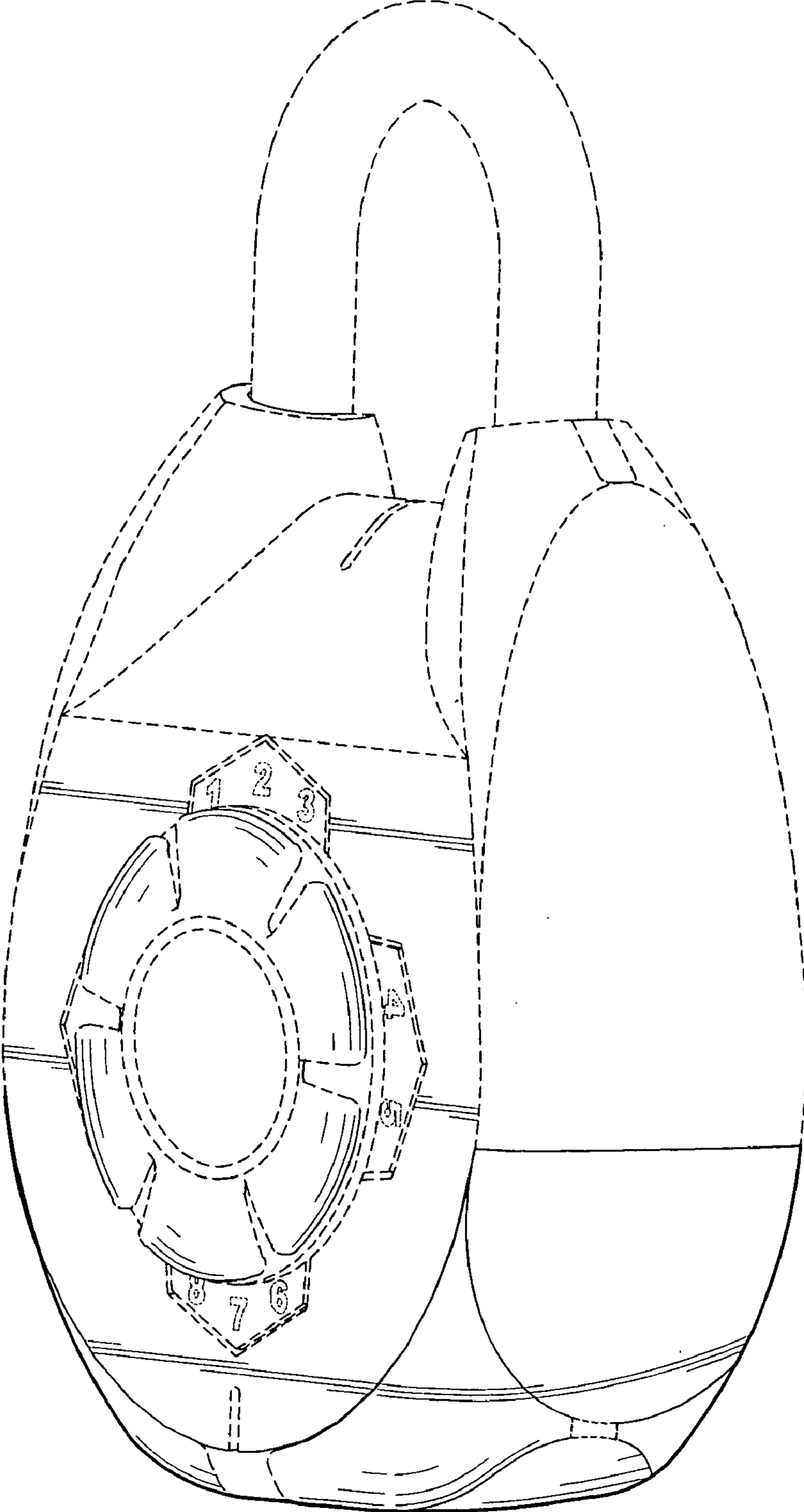
FIG. 6 is a side view of the lock shown in FIG. 1; and,

FIG. 7 is a side view of the lock shown in FIG. 1.

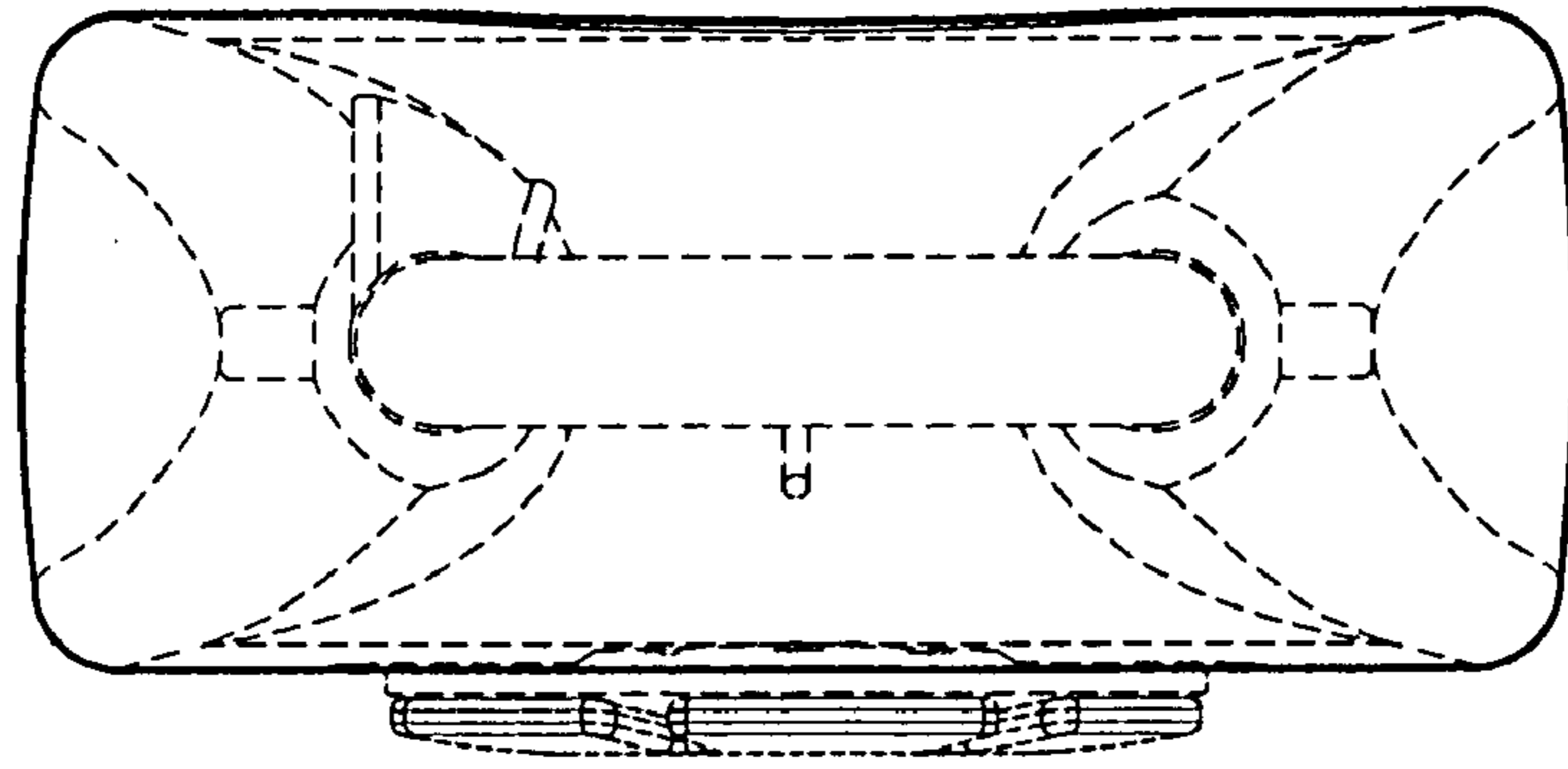
The portions of the Figures shown in phantom lines are not part of the claimed design but are for illustration only.

**1 Claim, 4 Drawing Sheets**

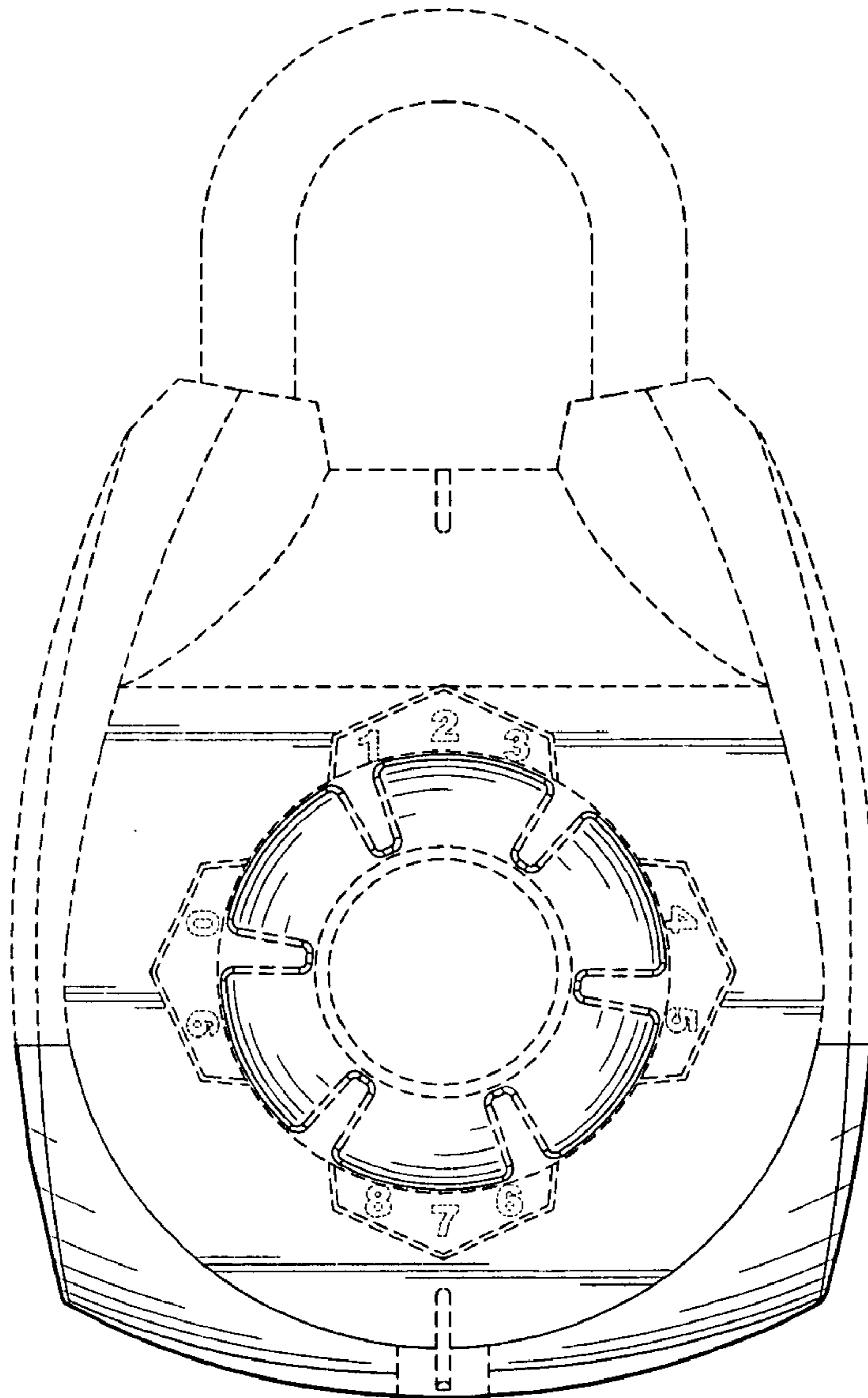




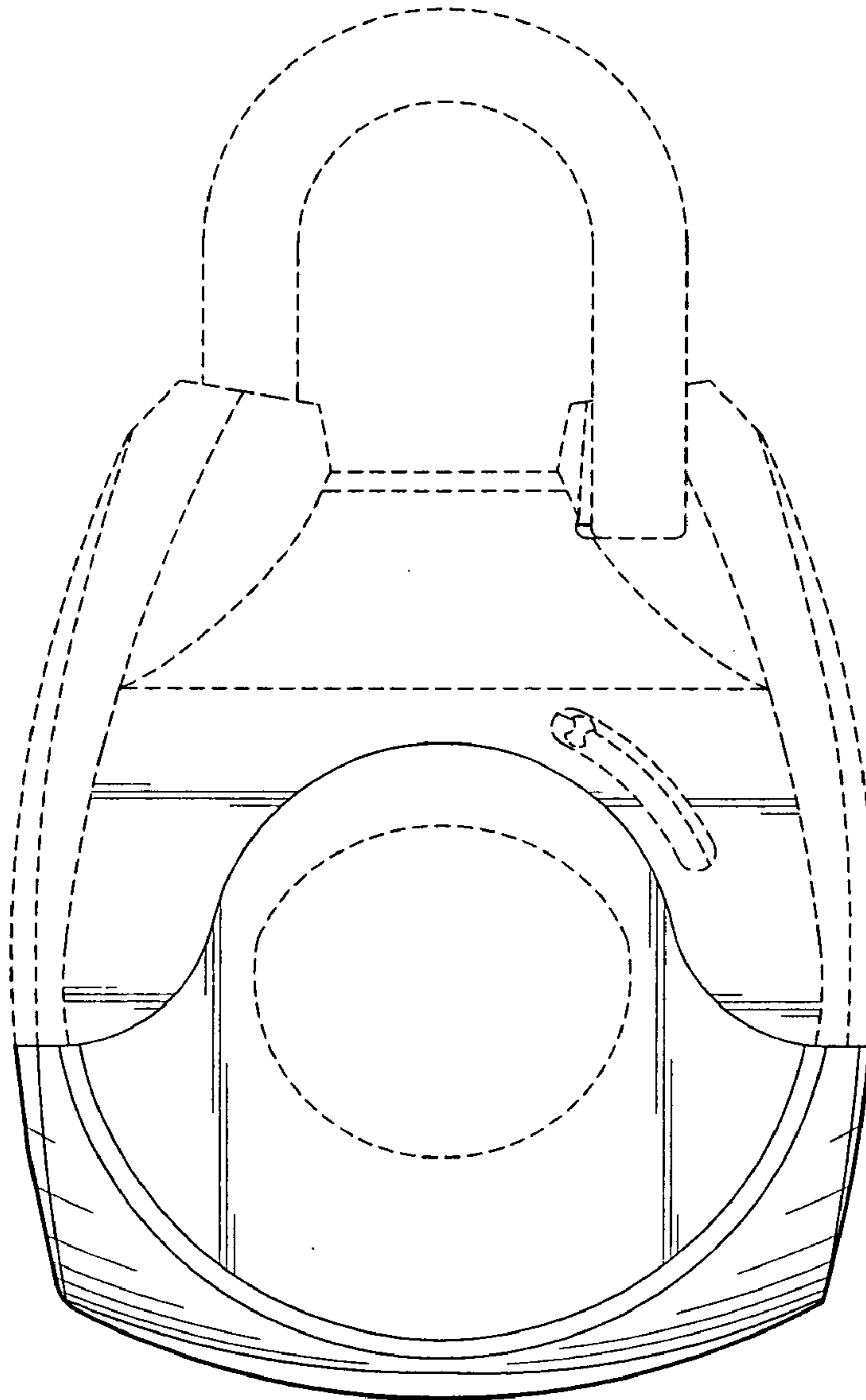
**FIG. 1**



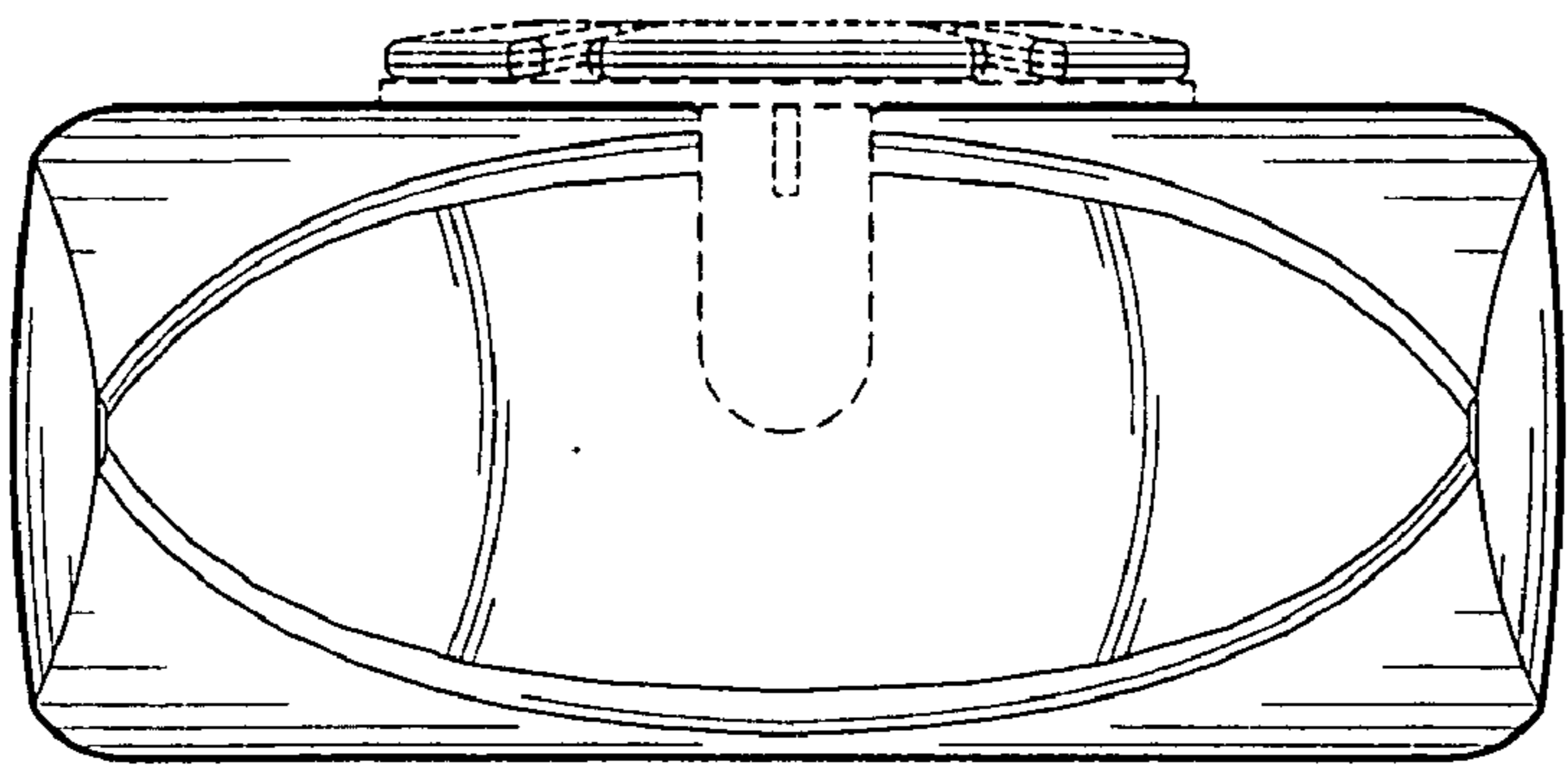
**FIG. 2**



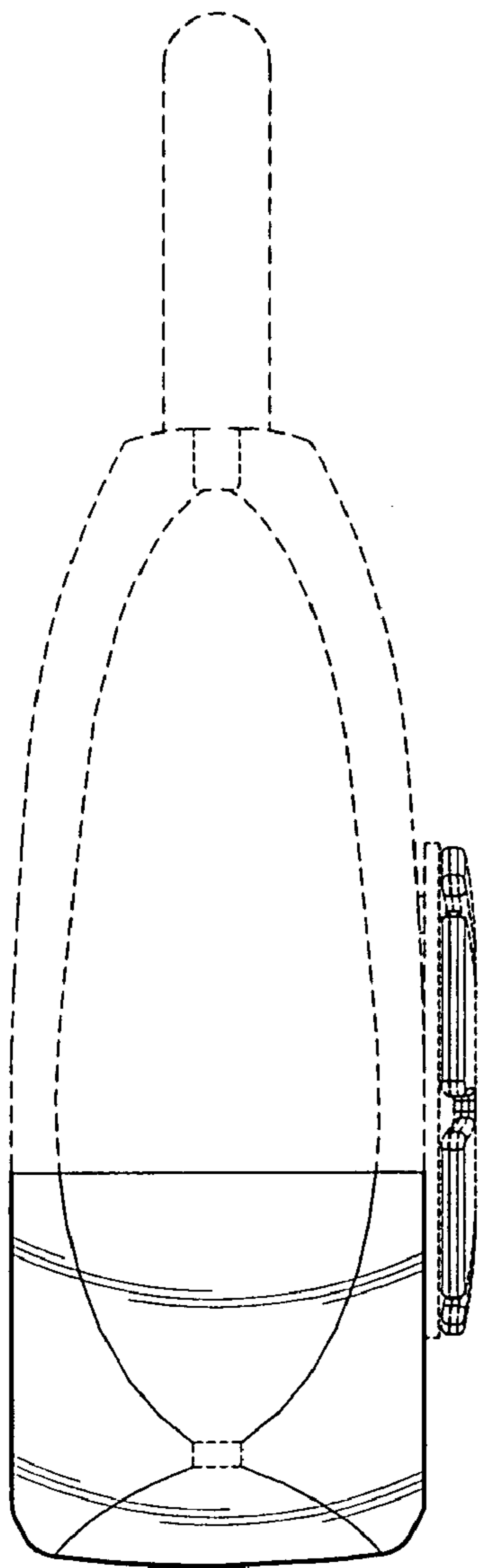
**FIG. 3**



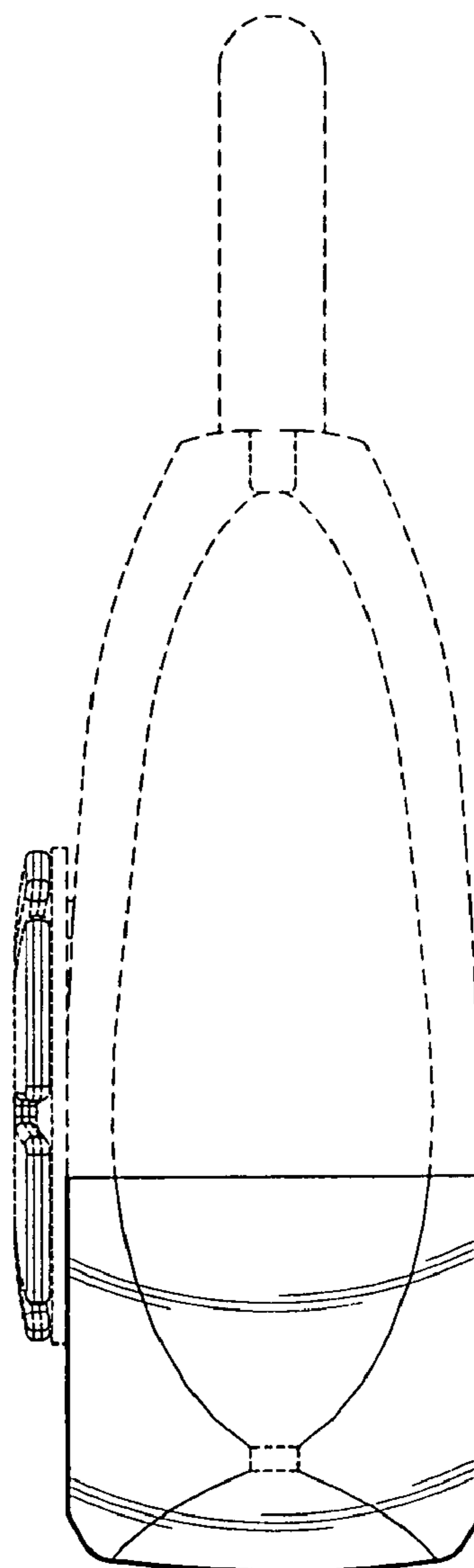
**FIG. 4**



**FIG. 5**



**FIG. 6**



**FIG. 7**

UNITED STATES PATENT AND TRADEMARK OFFICE  
**CERTIFICATE OF CORRECTION**

PATENT NO. : Des. 557,107 S  
APPLICATION NO. : 29/216722  
DATED : December 11, 2007  
INVENTOR(S) : Mark Van Handel, Chris Smyczek and Chris Rohde

Page 1 of 1

It is certified that error appears in the above-identified patent and that said Letters Patent is hereby corrected as shown below:

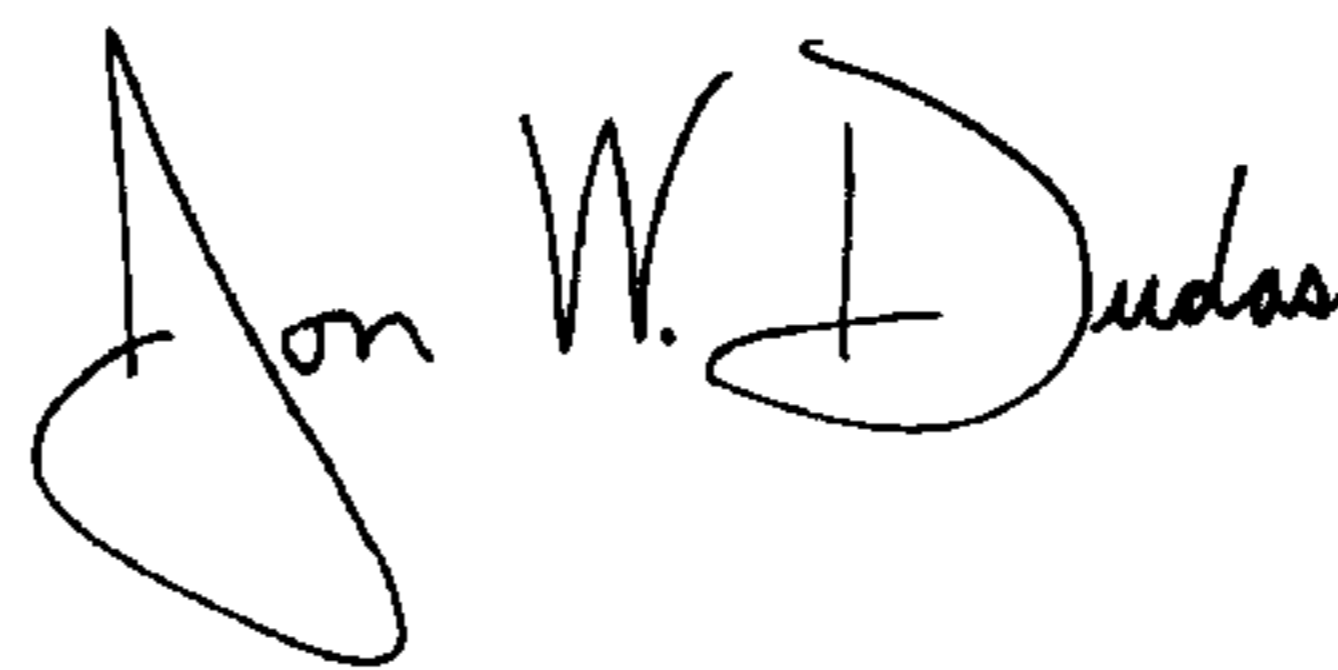
On Title Page Col. 2

Description Fig. 1

Please delete “of the fourth embodiment.”

Signed and Sealed this

Twenty-sixth Day of February, 2008

A handwritten signature in black ink that reads "Jon W. Dudas". The signature is written in a cursive style with a large, looped initial "J".

JON W. DUDAS

*Director of the United States Patent and Trademark Office*