



US00D557106S

(12) **United States Design Patent**
Kuwayama

(10) **Patent No.:** **US D557,106 S**

(45) **Date of Patent:** **** Dec. 11, 2007**

(54) **LUGGAGE LOCK**

(75) Inventor: **Eiichi Kuwayama**, Aichi-ken (JP)

(73) Assignee: **Sunco Luggage Co., Ltd.**, Aichi-gun,
Aichi-ken (JP)

(**) Term: **14 Years**

(21) Appl. No.: **29/249,831**

(22) Filed: **Oct. 23, 2006**

(51) **LOC (8) Cl.** **08-07**

(52) **U.S. Cl.** **D8/333**

(58) **Field of Classification Search** D8/330-348;
70/22-30, 41-52, 14, 35

See application file for complete search history.

(56) **References Cited**

U.S. PATENT DOCUMENTS

D436,015 S *	1/2001	Yu	D8/333
D450,560 S *	11/2001	Yu	D8/333
D502,860 S *	3/2005	Ling et al.	D8/334

* cited by examiner

Primary Examiner—Mitchell Siegel
(74) *Attorney, Agent, or Firm*—Egbert Law Offices

(57) **CLAIM**

I claim the ornamental design for a luggage lock, as shown and described.

DESCRIPTION

FIG. 1 is an upper perspective view of the luggage lock showing my design.

FIG. 2 is a front view thereof;

FIG. 3 is a back view thereof;

FIG. 4 is a side view thereof;

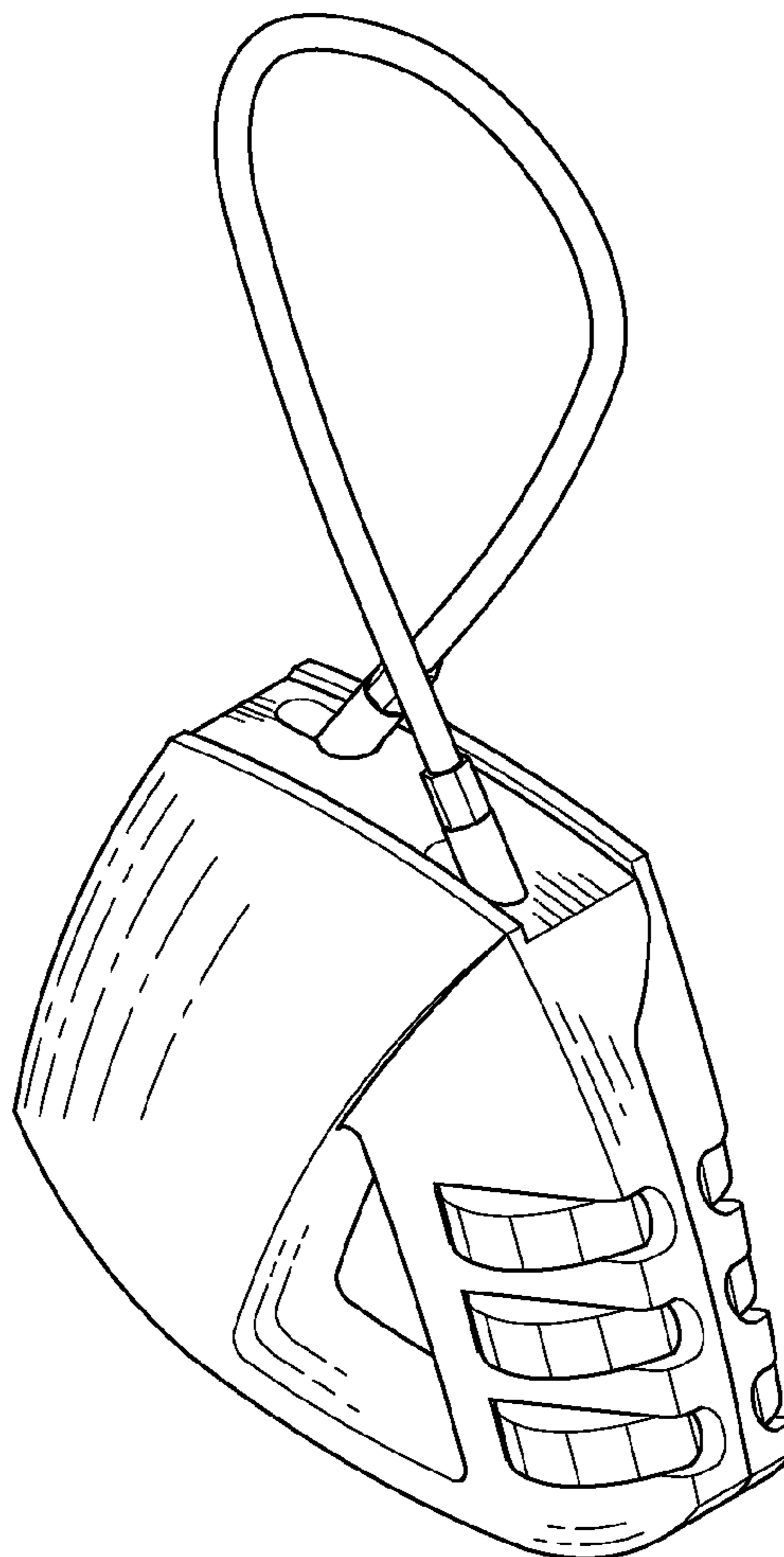
FIG. 5 is an opposite side view thereof;

FIG. 6 is a top plan view thereof;

FIG. 7 is a bottom view thereof; and,

FIG. 8 is another perspective view, showing an open lock position.

1 Claim, 5 Drawing Sheets



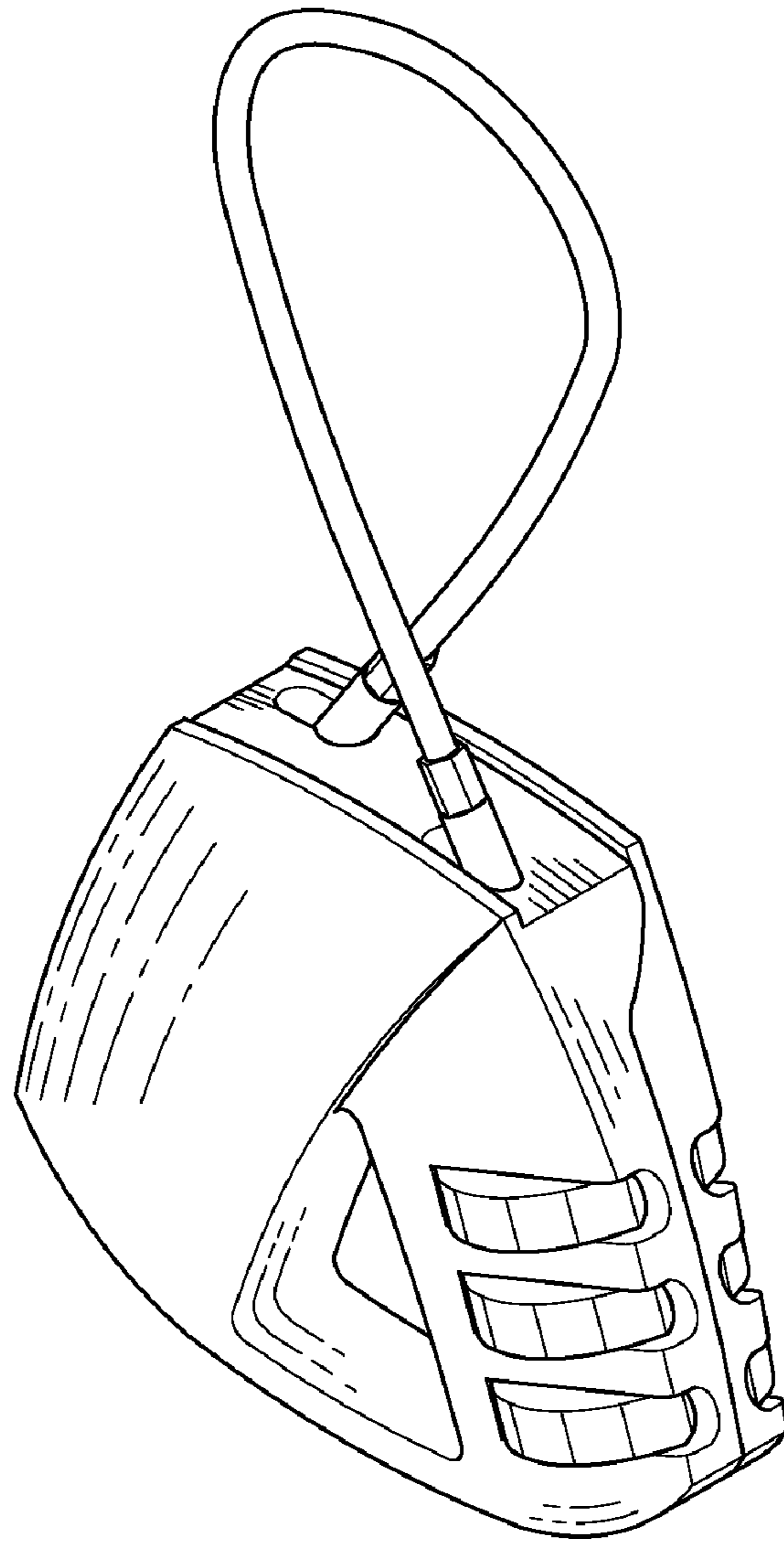


FIG.1

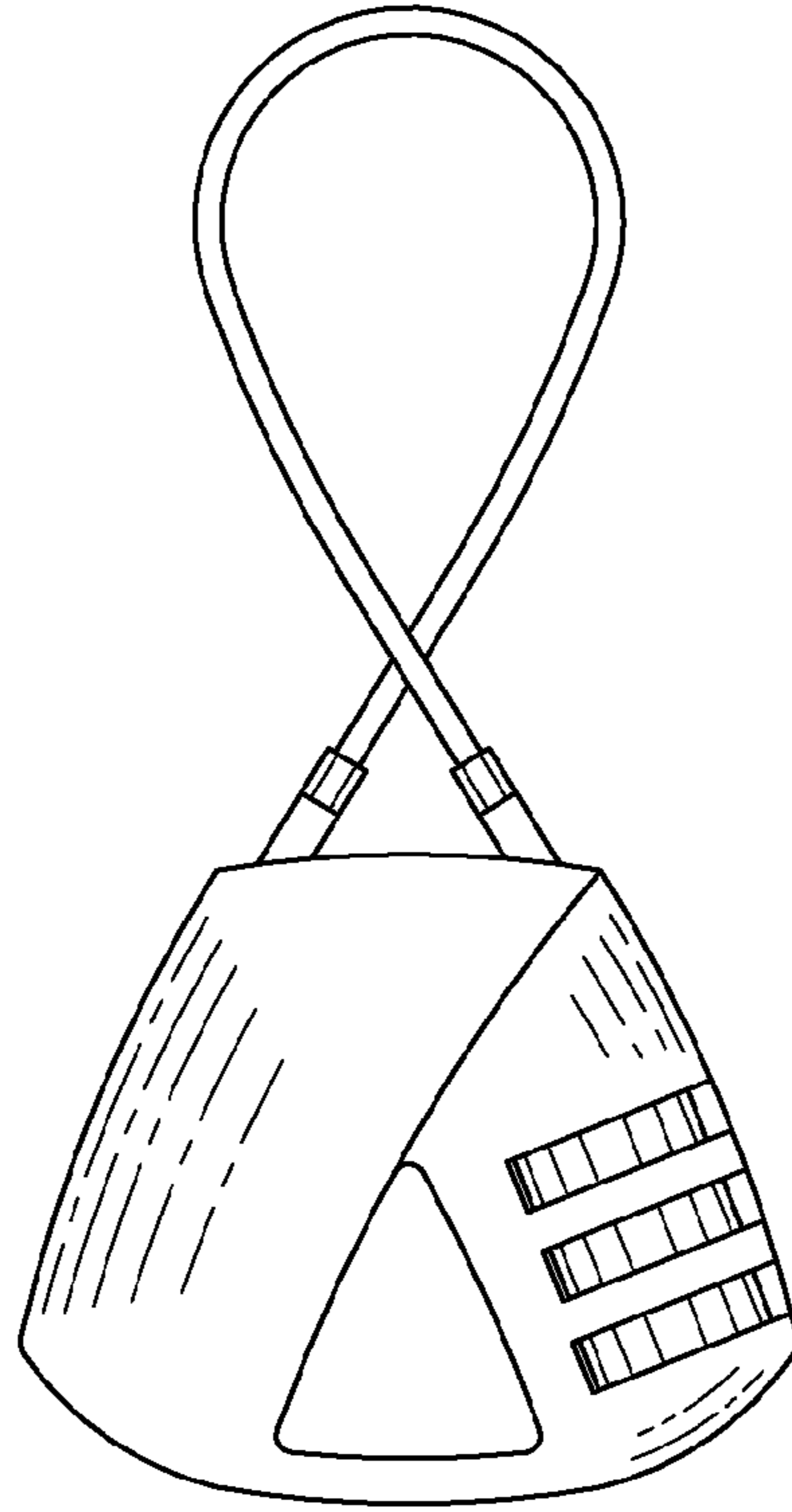


FIG. 2

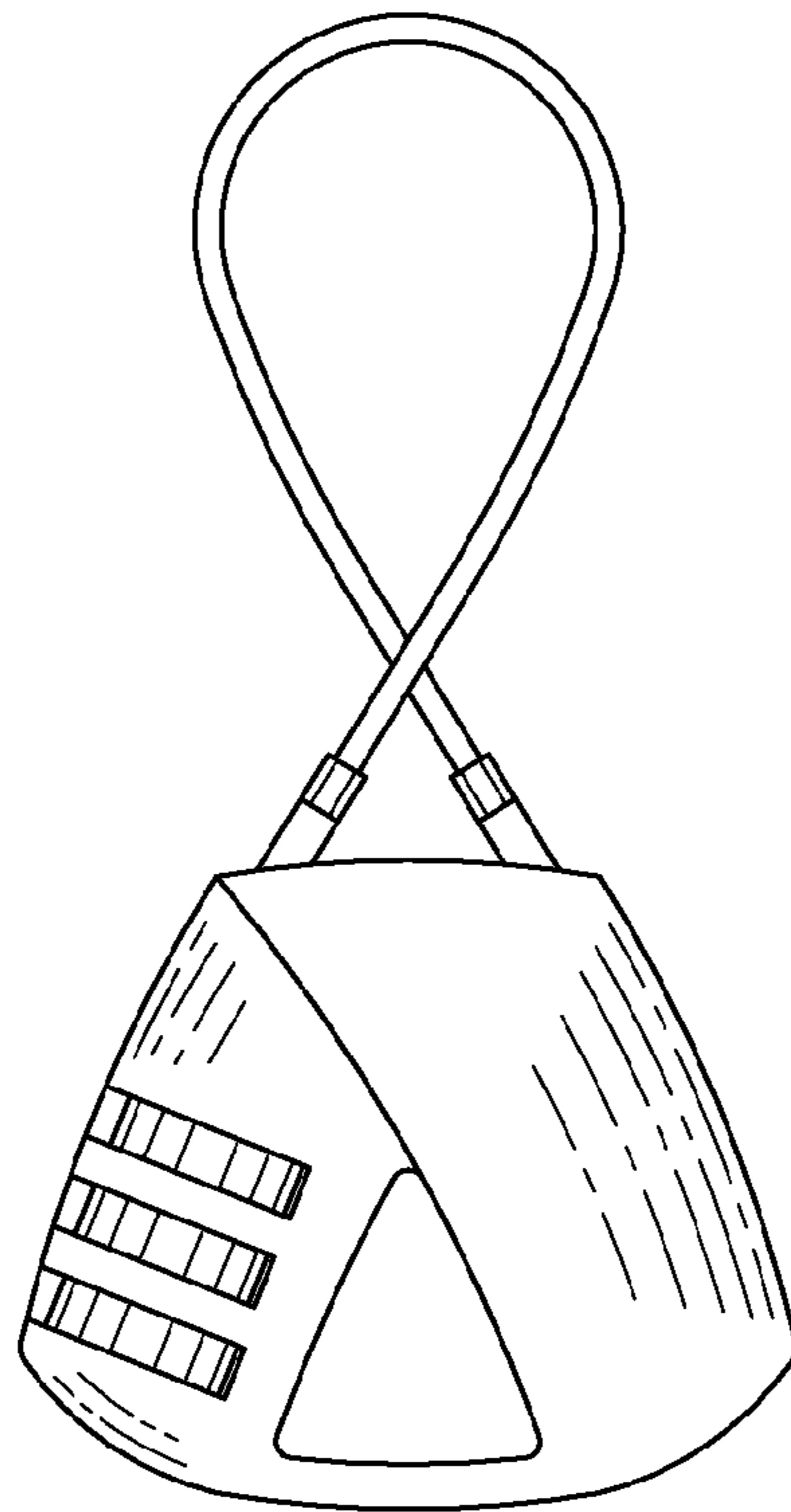


FIG. 3

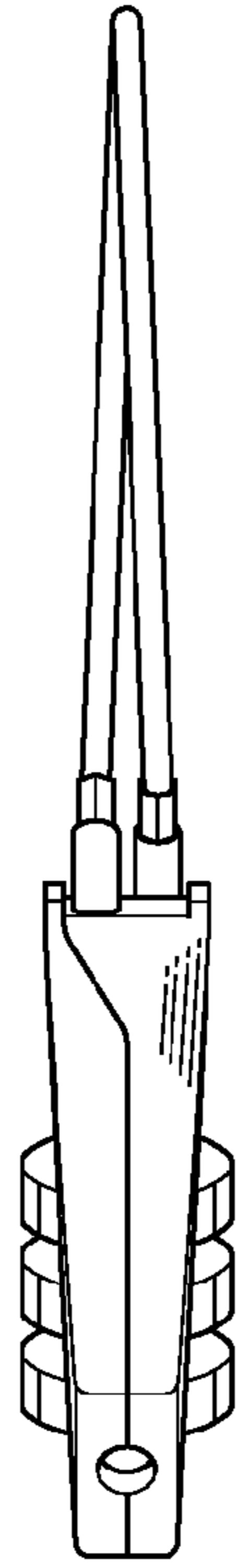


FIG. 4

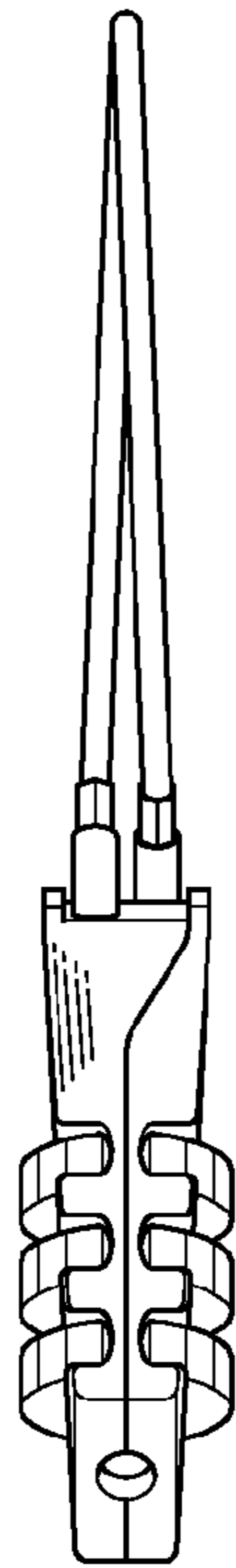


FIG. 5

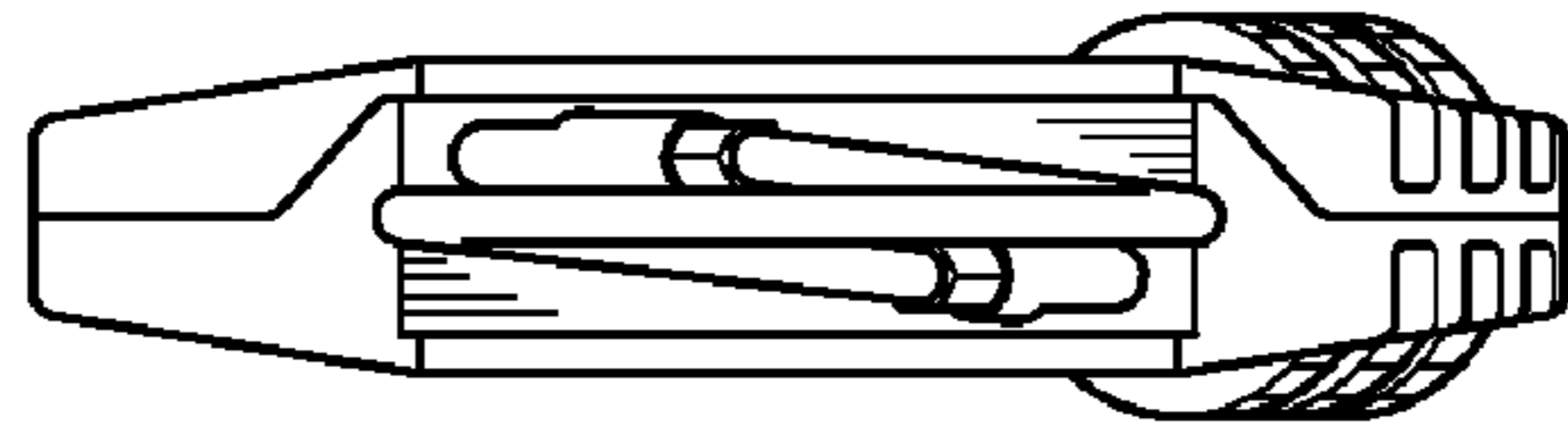


FIG. 6

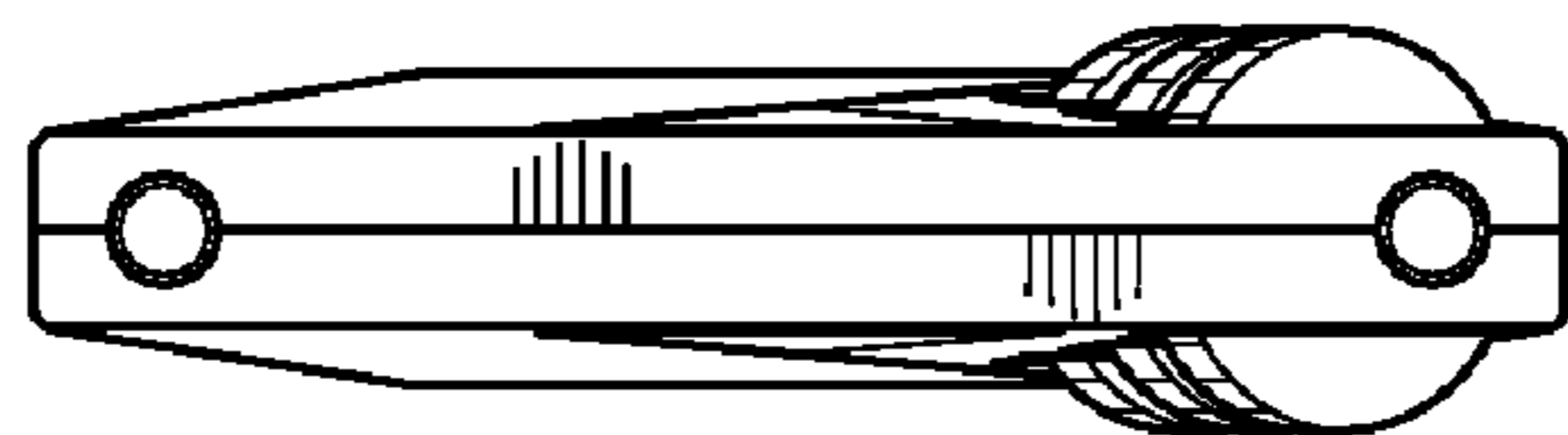


FIG. 7

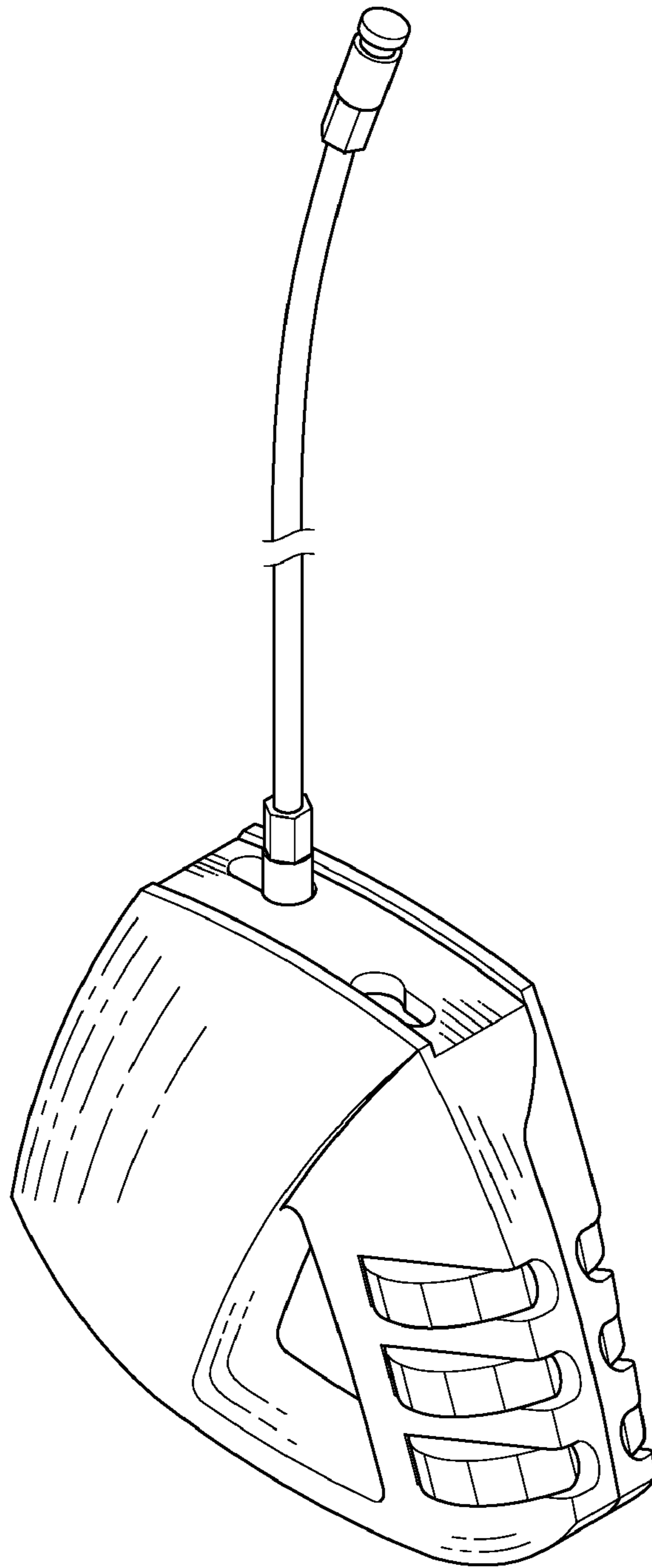


FIG. 8