



US00D557105S

(12) **United States Design Patent**
Lu

(10) **Patent No.:** **US D557,105 S**

(45) **Date of Patent:** **** Dec. 11, 2007**

(54) **LOCK**

(75) Inventor: **Francisco Lu**, Kaohsiung (TW)

(73) Assignee: **Miz Engineering Ltd.**, Kansa,
Kaohsiung (TW)

(**) Term: **14 Years**

(21) Appl. No.: **29/249,356**

(22) Filed: **Oct. 3, 2006**

(30) **Foreign Application Priority Data**

Aug. 18, 2006 (TW) 95304676

(51) **LOC (8) Cl.** **08-07**

(52) **U.S. Cl.** **D8/331**

(58) **Field of Classification Search** D8/330-348;
70/14, 57, 58, 34, 20-26, 30, 233, 158, 163,
70/174, 69, 78, 80

See application file for complete search history.

(56) **References Cited**

U.S. PATENT DOCUMENTS

D347,987 S * 6/1994 Carl et al. D8/343
5,327,752 A * 7/1994 Myers et al. 70/58
5,381,685 A * 1/1995 Carl et al. 70/58

D370,621 S * 6/1996 Themistos et al. D8/343
D427,883 S * 7/2000 Ling D8/331
D471,785 S * 3/2003 Yu D8/331
D472,789 S * 4/2003 Ling D8/331
D482,951 S * 12/2003 Ling D8/331
D495,579 S * 9/2004 Yu D8/331
D525,109 S * 7/2006 Watson et al. D8/330

* cited by examiner

Primary Examiner—Mitchell Siegel

(74) *Attorney, Agent, or Firm*—Vedder, Price, Kaufmann &
Kammholz, P.C.

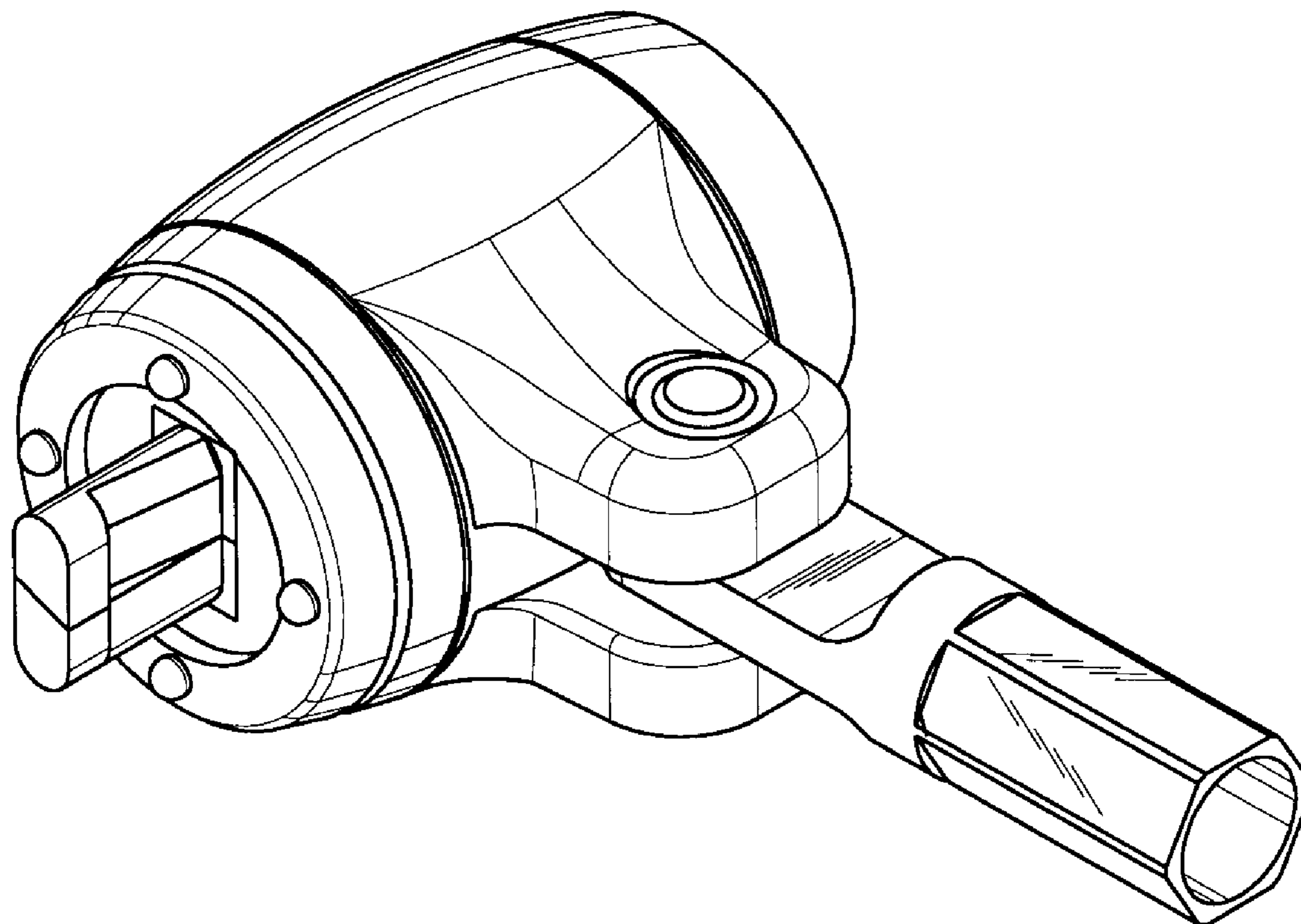
(57) **CLAIM**

The ornamental design for lock, as shown and described.

DESCRIPTION

FIG. 1 is a perspective view of lock showing my new design;
FIG. 2 is a front elevational view thereof;
FIG. 3 is a rear elevational view thereof;
FIG. 4 is a left side elevational view thereof;
FIG. 5 is a right side elevational view thereof;
FIG. 6 is a top plan view thereof; and,
FIG. 7 is a bottom plan view thereof.

1 Claim, 4 Drawing Sheets



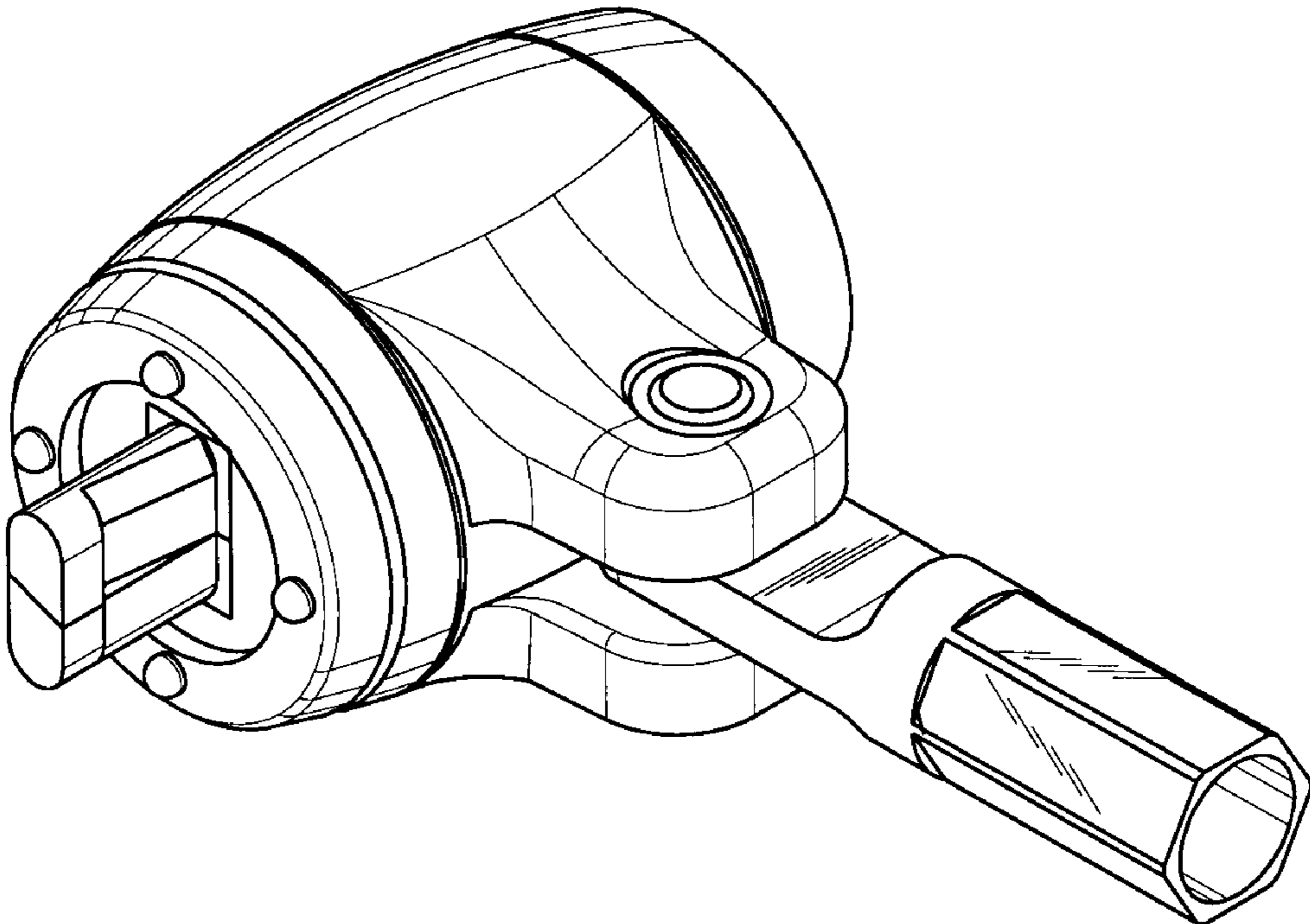


FIG. 1

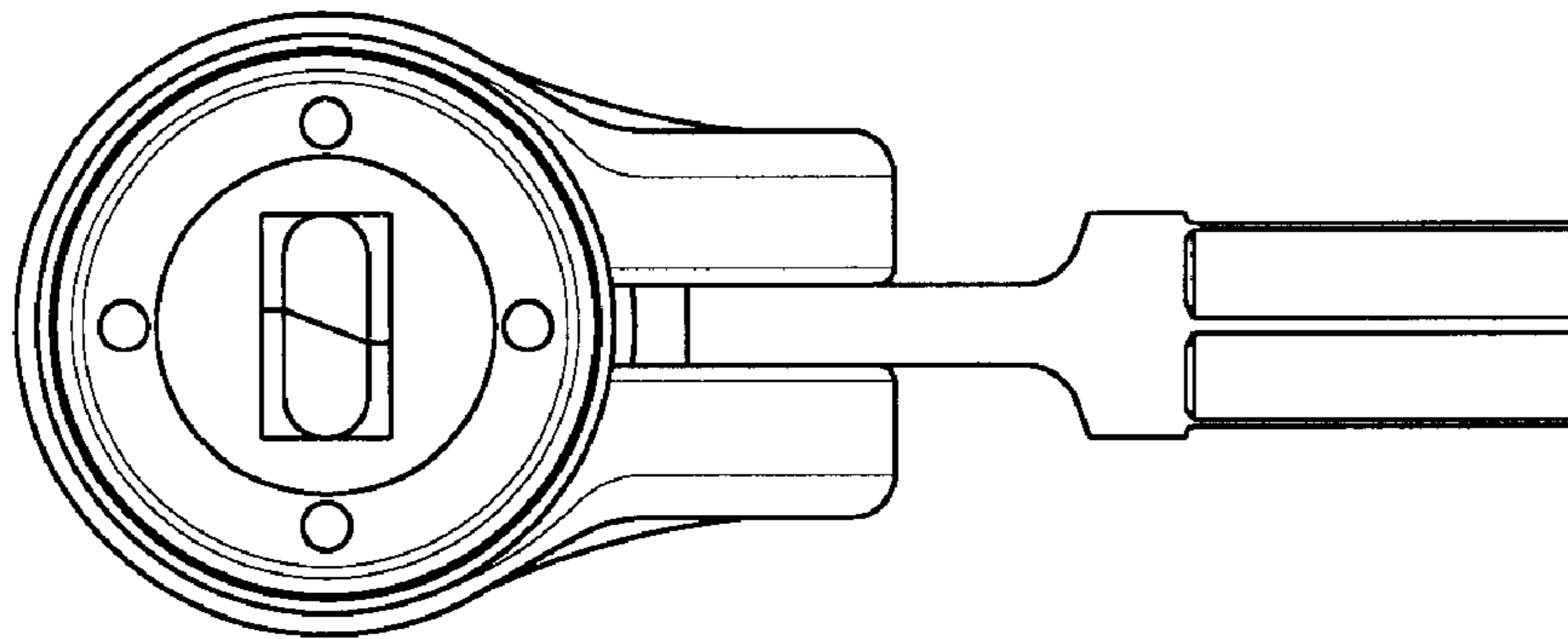


FIG. 2

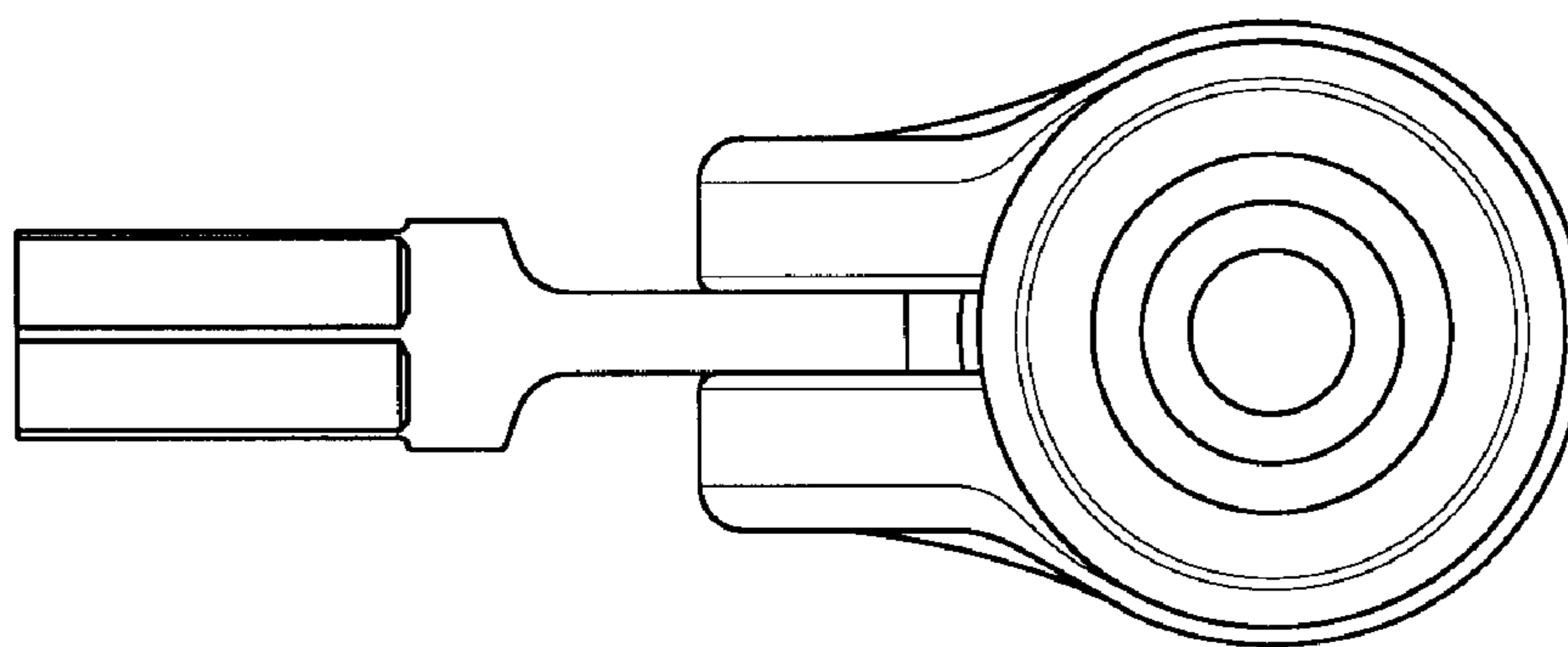


FIG. 3

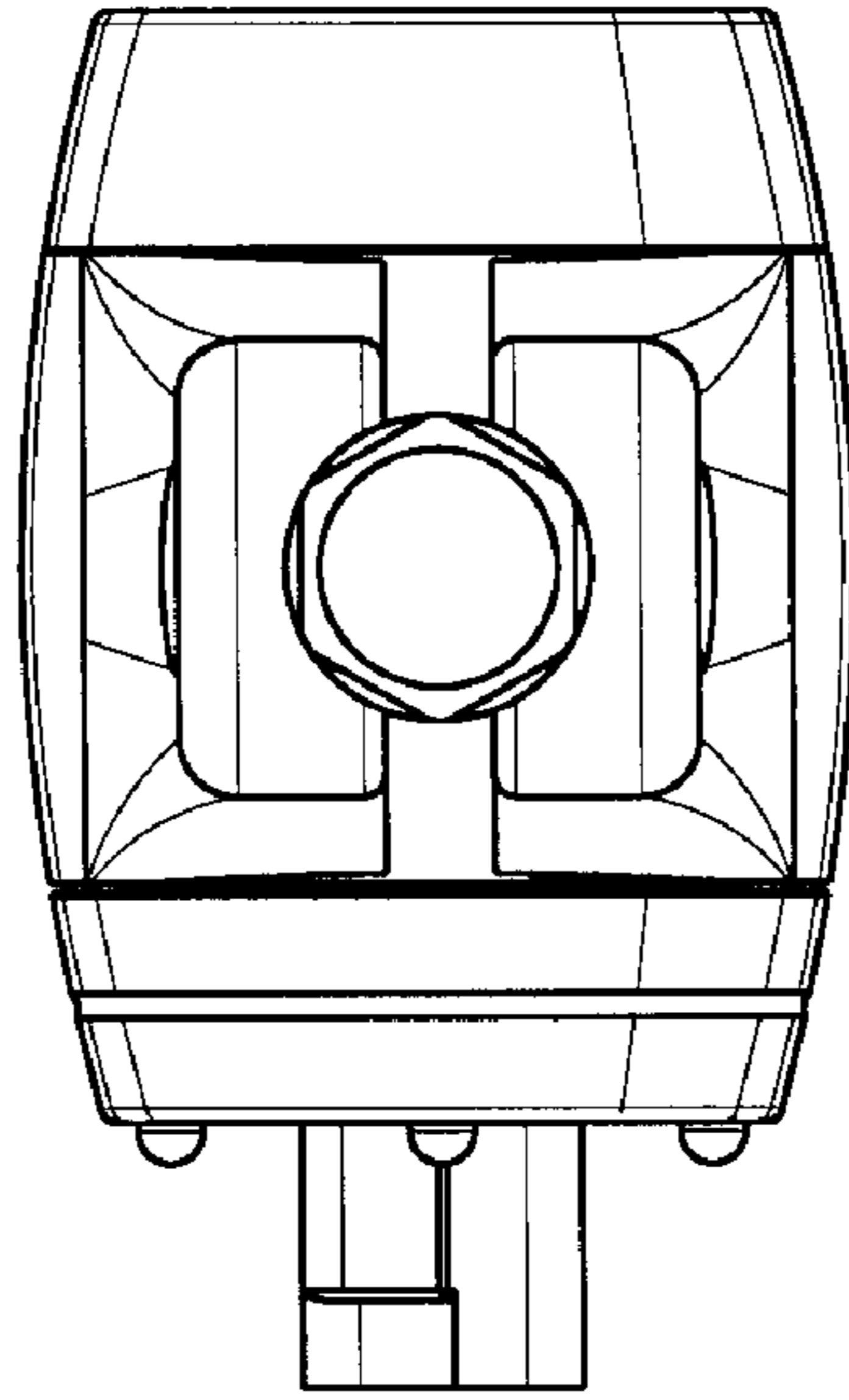


FIG. 5

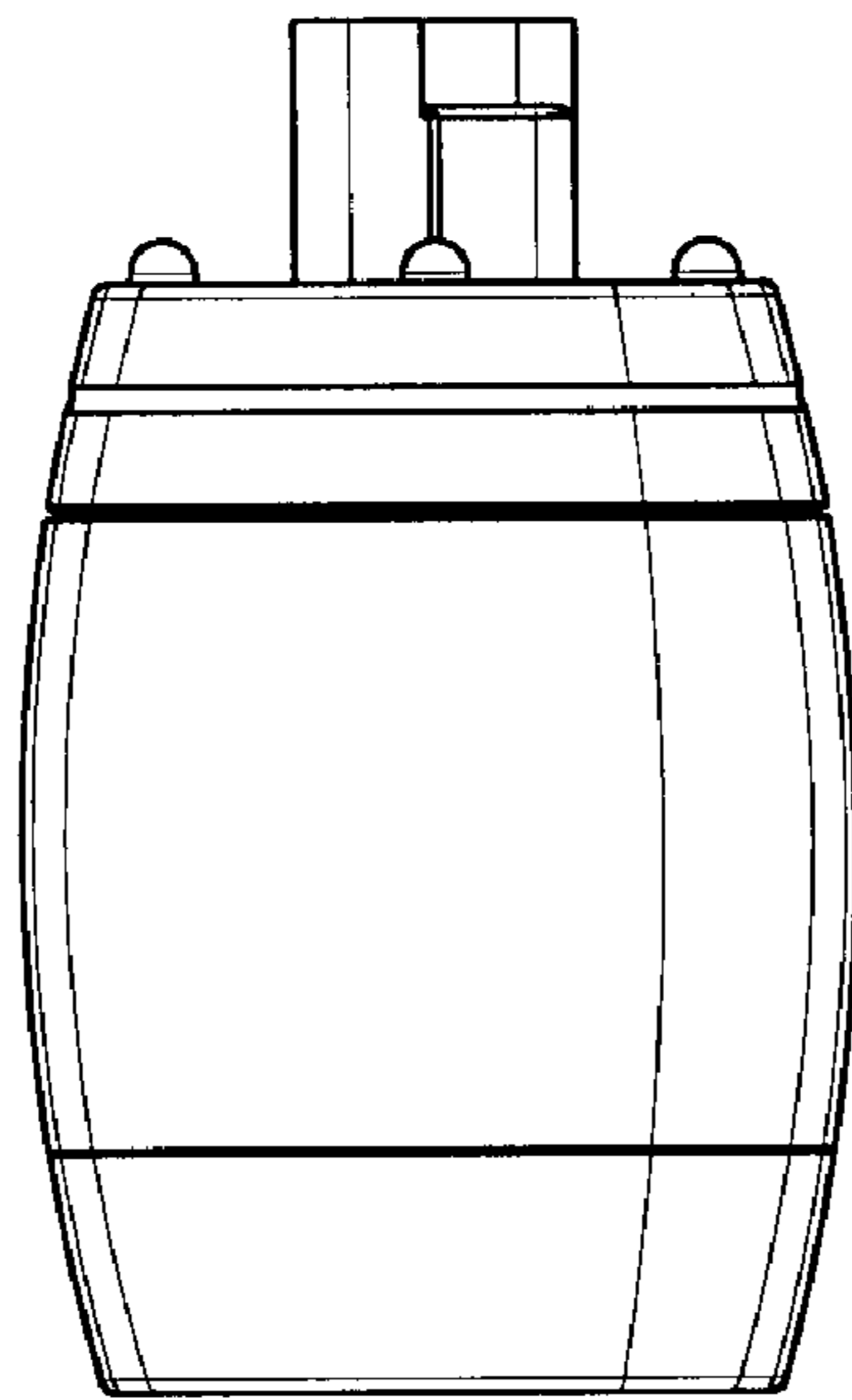


FIG. 4

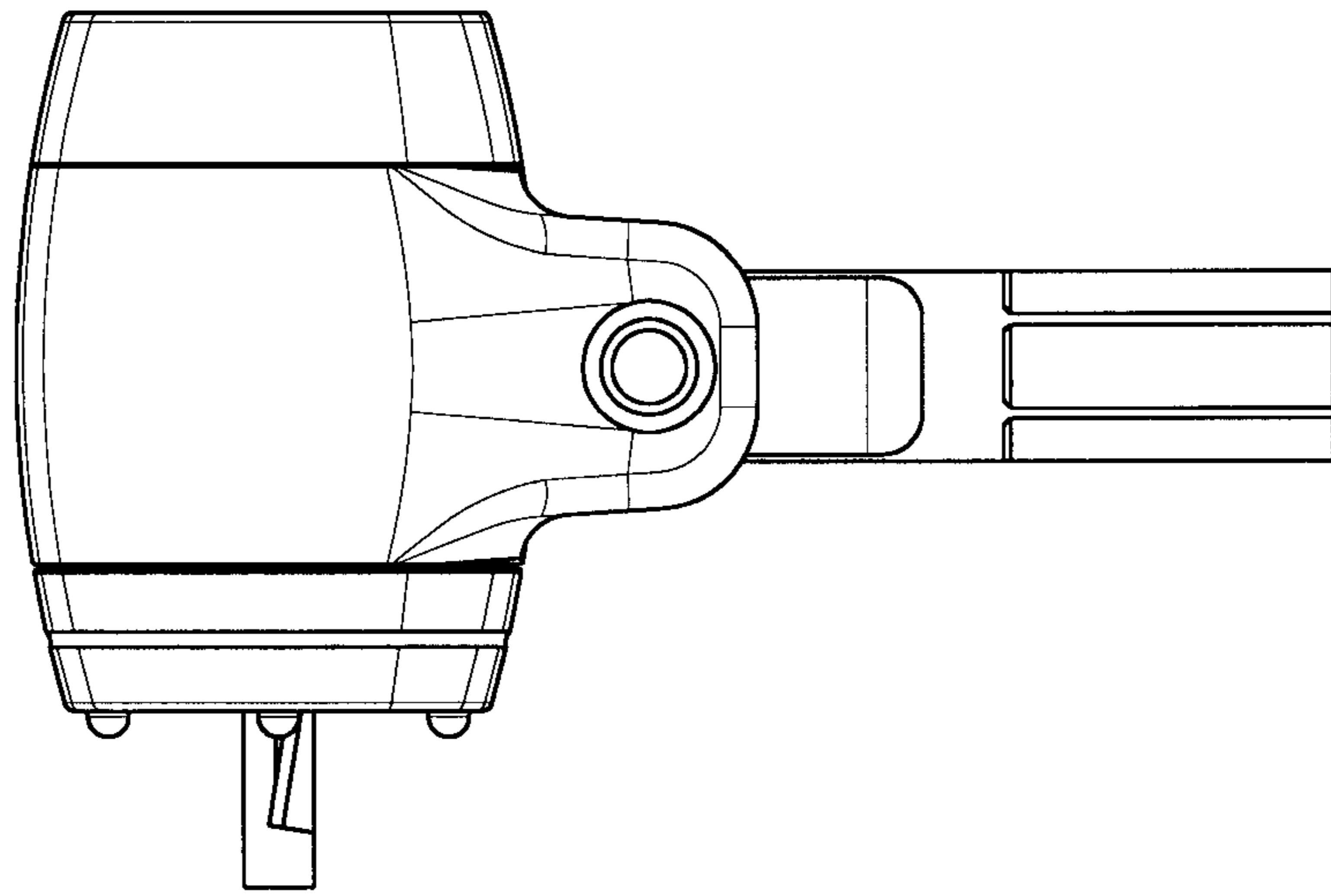


FIG. 6

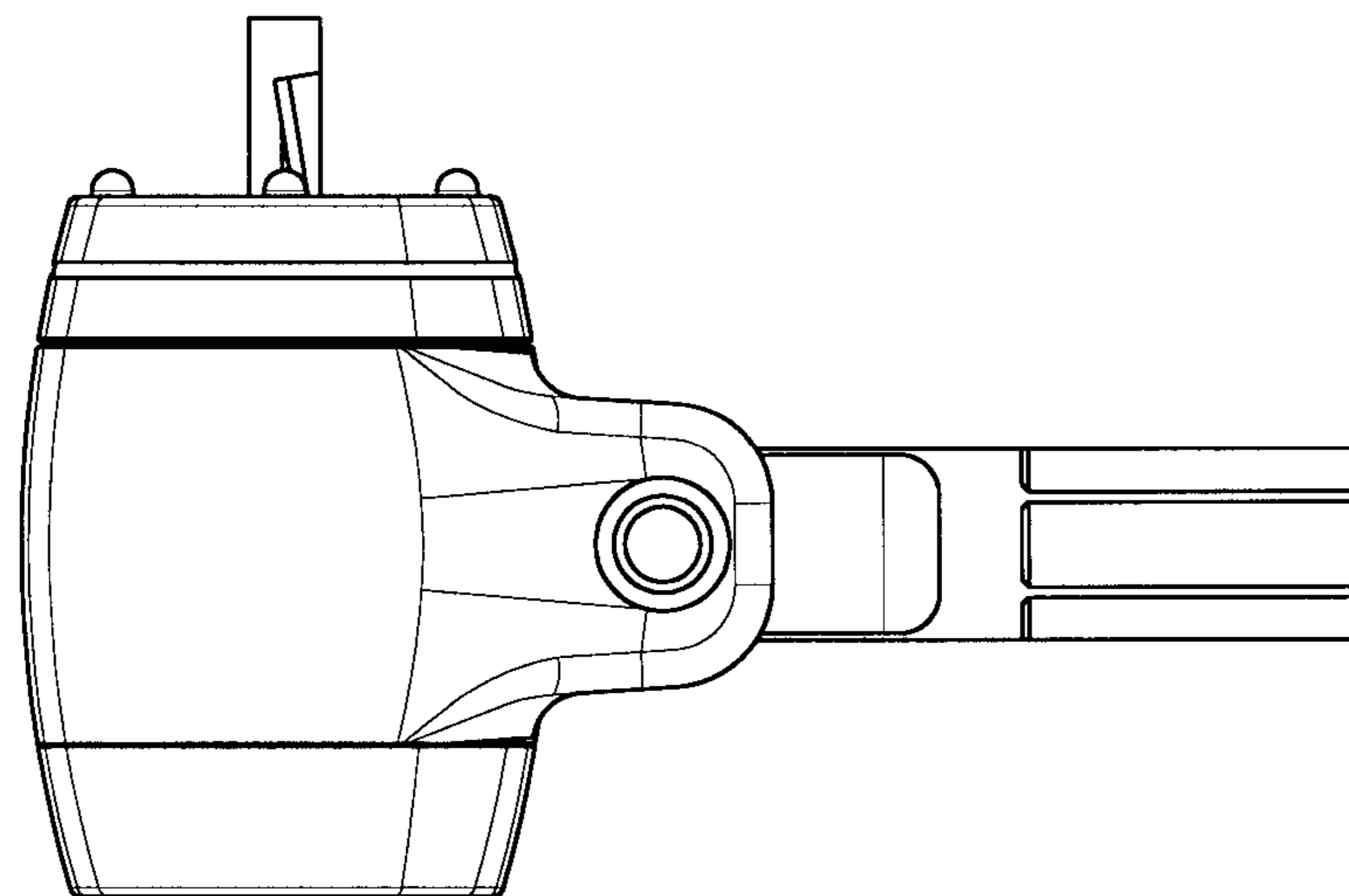


FIG. 7