



US00D557104S

(12) **United States Design Patent**  
**Forgeon**

(10) **Patent No.:** **US D557,104 S**

(45) **Date of Patent:** **\*\* Dec. 11, 2007**

(54) **HINGE**

(76) **Inventor:** **Randy Forgeon**, 4141 Black Oak Dr.,  
P.O. Box 4401, Hailey, ID (US) 83333

(\*\*) **Term:** **14 Years**

(21) **Appl. No.:** **29/248,859**

(22) **Filed:** **Sep. 8, 2006**

(51) **LOC (8) Cl.** ..... **08-06**

(52) **U.S. Cl.** ..... **D8/327**

(58) **Field of Classification Search** ..... D8/323,  
D8/324, 325, 326, 327, 328, 329, 349, 354,  
D8/356; 16/234-237, 239-241, 245-246,  
16/249, 254, 261-262, 265, 272, 277, 307,  
16/319, 335, 339, 342, 379, 381-383, 384,  
16/385, 386, 387, 388-390, DIG. 13, DIG. 40,  
16/DIG. 43, 221, 309, 316; D23/303; 248/200,  
248/221.11, 300, 309.1, 317; 4/236-240  
See application file for complete search history.

(56) **References Cited**

**U.S. PATENT DOCUMENTS**

D105,649 S *	8/1937	Carruthers	.....	D8/329
D111,157 S *	9/1938	Schrader	.....	D8/329
2,208,310 A *	7/1940	Leonard	.....	16/245
D154,365 S *	7/1949	Boye	.....	D6/328
D161,650 S *	1/1951	Scovill	.....	D8/329

D299,420 S *	1/1989	Takahashi	.....	D8/329
D302,105 S *	7/1989	Takahashi	.....	D8/329
D401,134 S *	11/1998	Finkelstein	.....	D8/329
D421,560 S *	3/2000	Bourgain et al.	.....	D8/327
D475,272 S *	6/2003	Hansen et al.	.....	D8/327

**FOREIGN PATENT DOCUMENTS**

GB 1036350 S \* 8/1986

\* cited by examiner

*Primary Examiner*—T. Chase Nelson

(74) *Attorney, Agent, or Firm*—Robert L. Shaver; Dykas,  
Shaver & Nipper, LLP

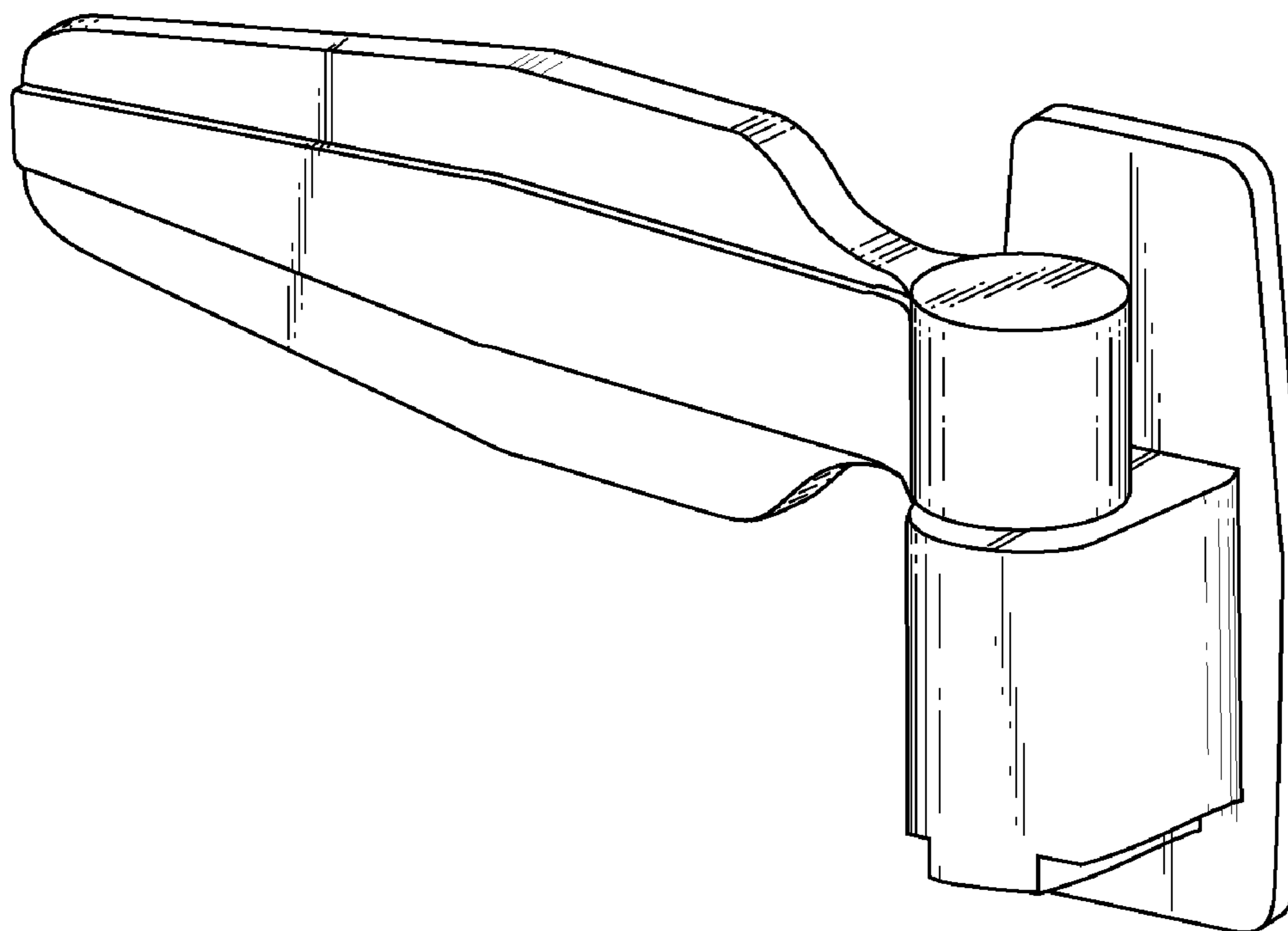
(57) **CLAIM**

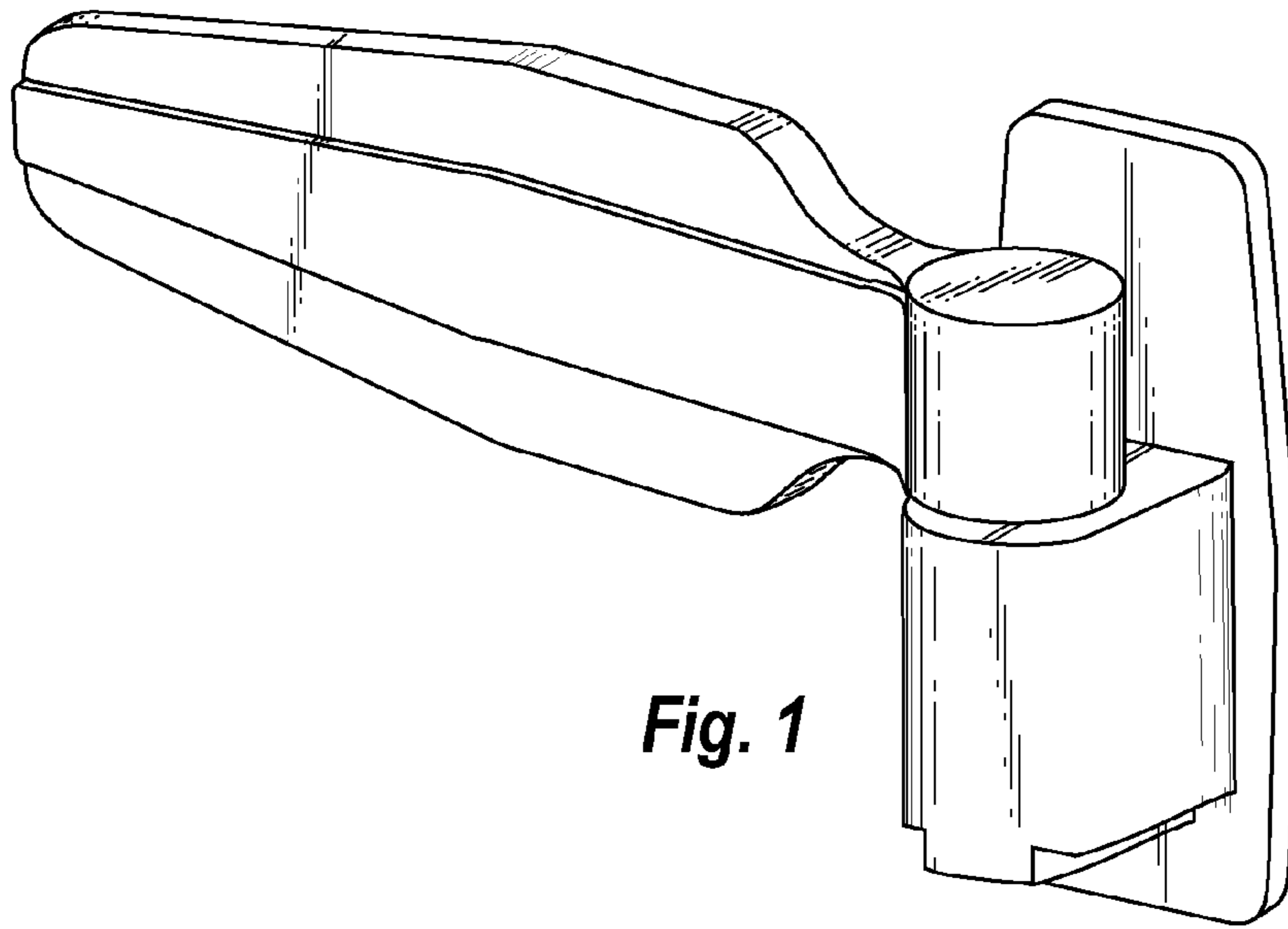
The ornamental design for a hinge, as shown and described.

**DESCRIPTION**

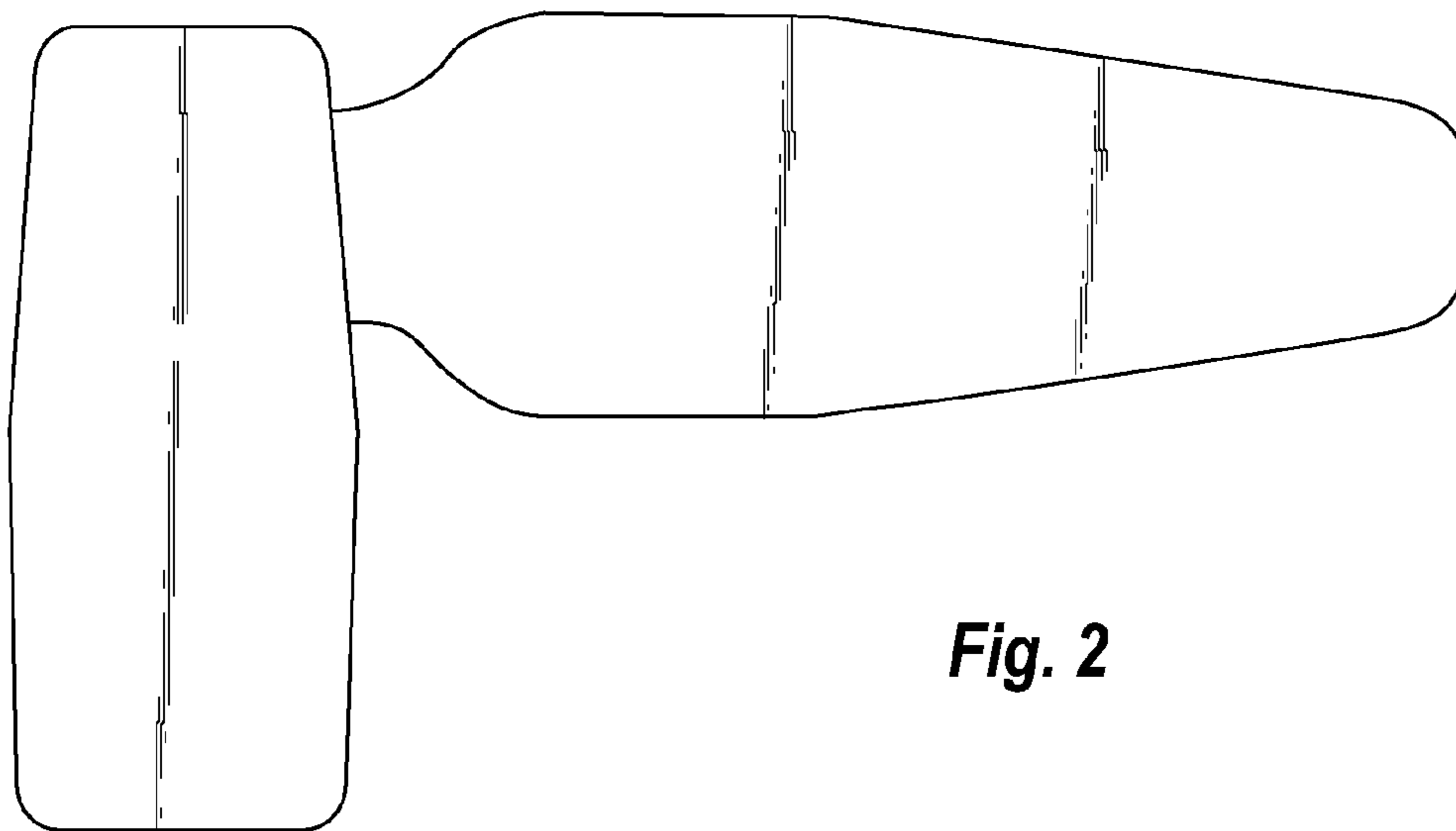
FIG. 1 is a perspective view of the hinge;  
FIG. 2 is a rear elevation view of the hinge;  
FIG. 3 is a front elevation view of the hinge;  
FIG. 4 is a bottom plan view of the hinge;  
FIG. 5 is a top plan view of the hinge;  
FIG. 6 is a first side view of the hinge; and,  
FIG. 7 is a second side view of the hinge.

**1 Claim, 4 Drawing Sheets**

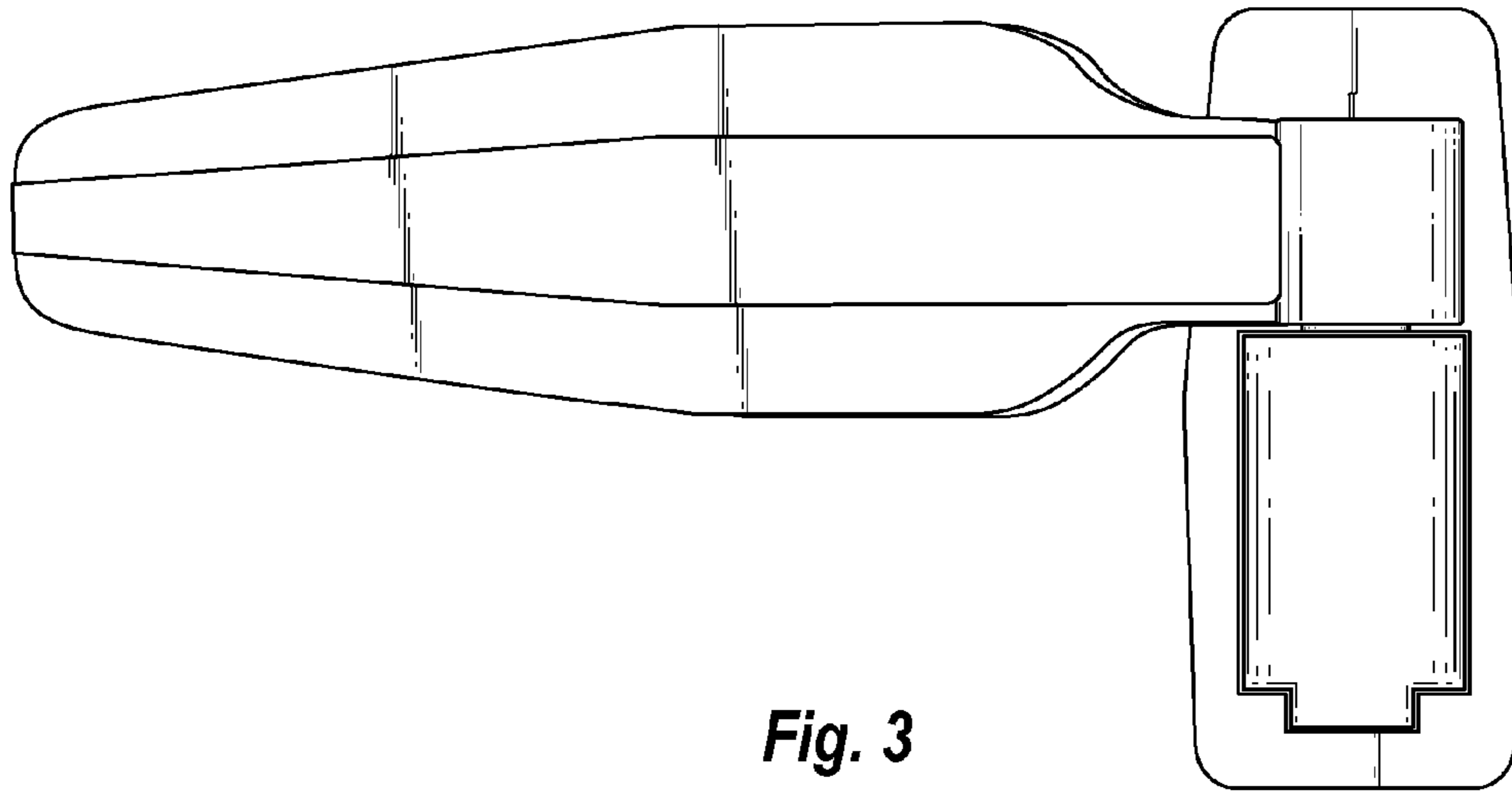




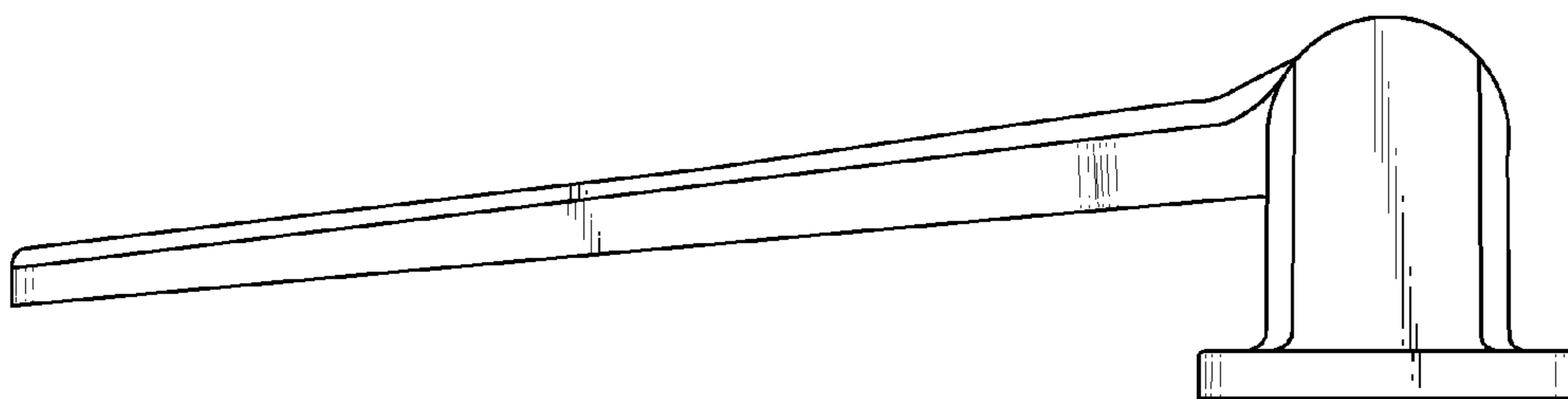
*Fig. 1*



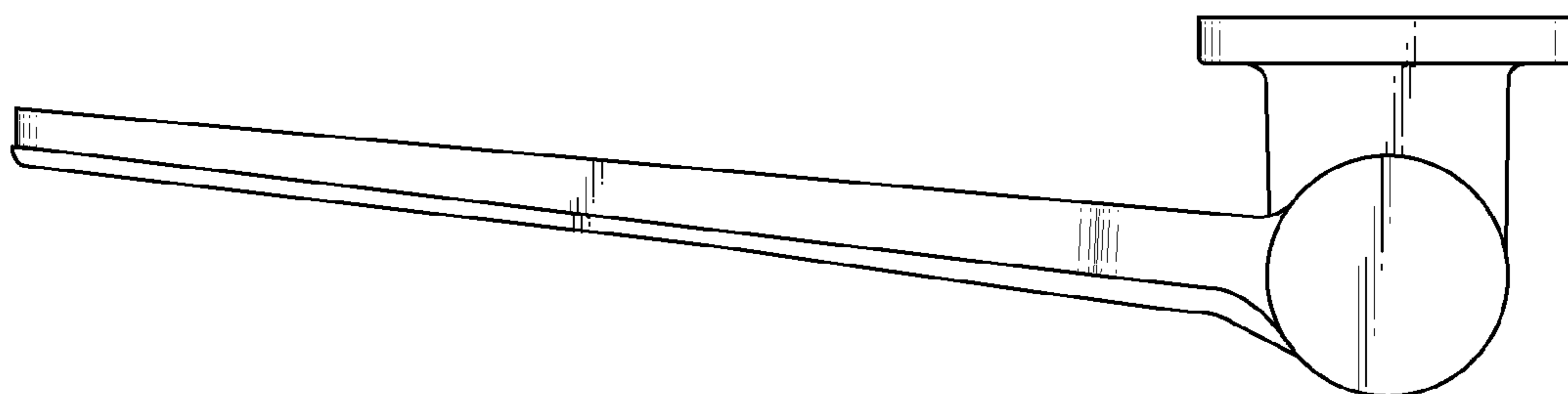
*Fig. 2*



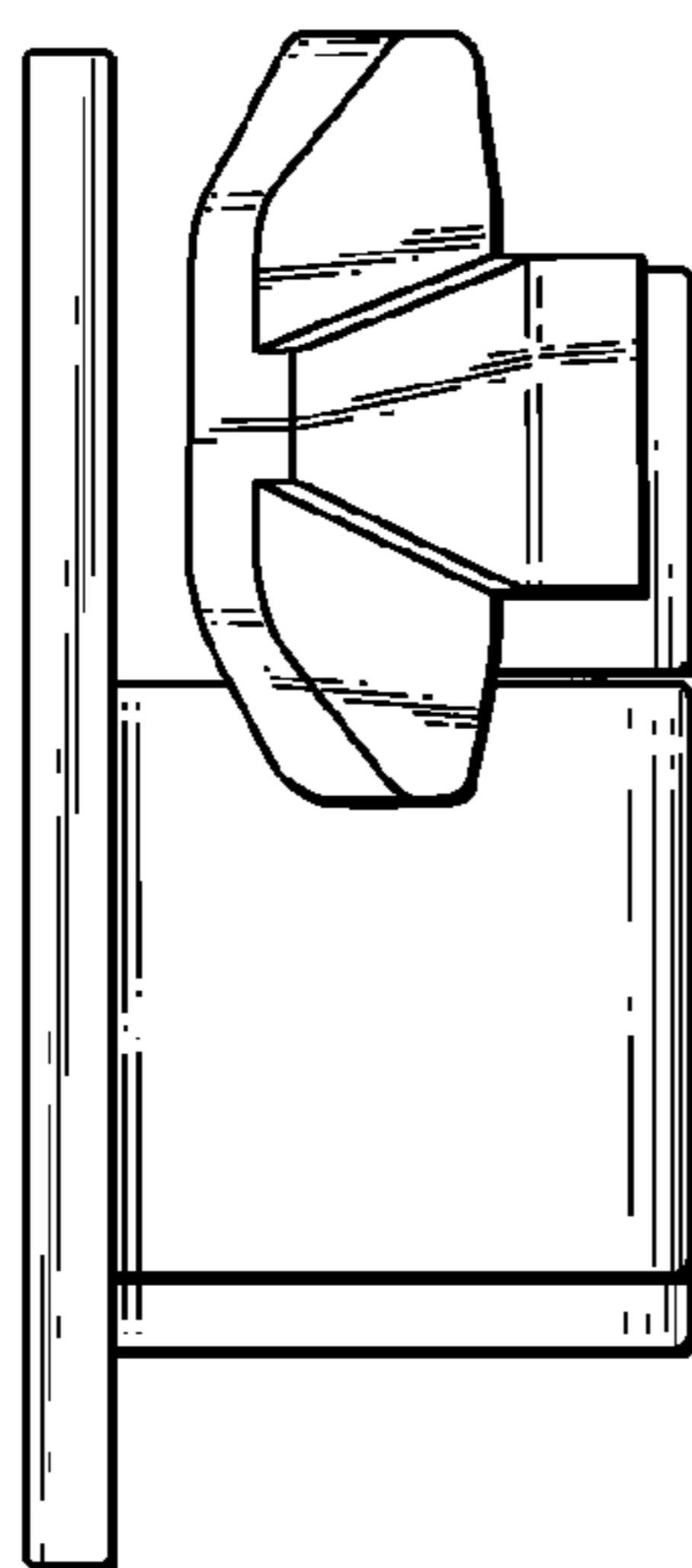
*Fig. 3*



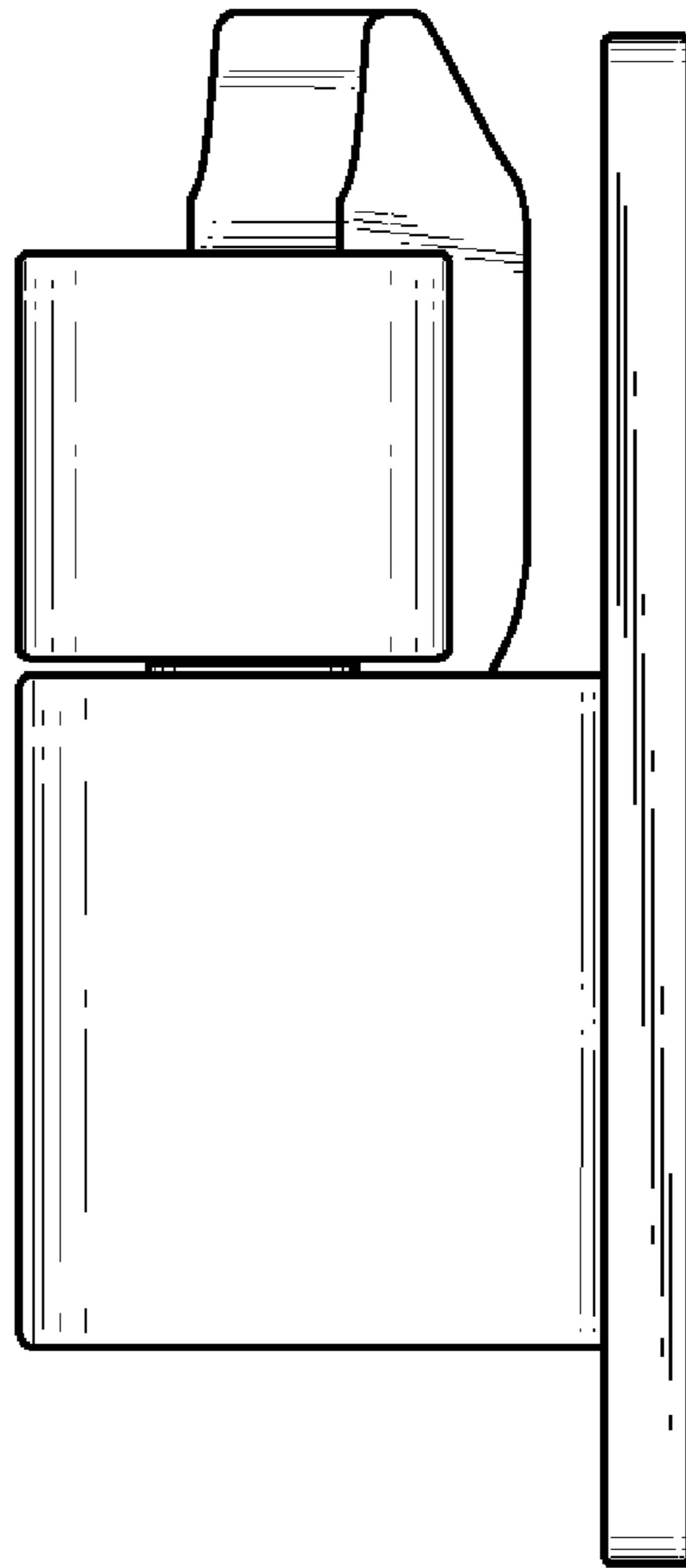
*Fig. 4*



*Fig. 5*



*Fig. 6*



***Fig. 7***