



US00D557103S

(12) **United States Design Patent**
Razeto

(10) **Patent No.:** **US D557,103 S**

(45) **Date of Patent:** **** Dec. 11, 2007**

(54) **DOOR HANDLE**

(75) Inventor: **Giangiacoimo Razeto**, Sori (IT)

(73) Assignee: **Fratelli Razeto & Casareto S.p.A.**,
Sori (Genoa) (IT)

(**) Term: **14 Years**

(21) Appl. No.: **29/229,519**

(22) Filed: **May 9, 2005**

(51) **LOC (8) Cl.** **08-06**

(52) **U.S. Cl.** **D8/308**

(58) **Field of Classification Search** D8/300,
D8/302, 307, 308, 309; D23/250, 252; 16/110.1;
4/675-678; 74/523

See application file for complete search history.

(56) **References Cited**

U.S. PATENT DOCUMENTS

D315,087 S *	3/1991	Jans	D8/308
D385,769 S *	11/1997	Jans	D8/308
D390,087 S *	2/1998	Ebbersten	D8/308
D420,104 S *	2/2000	Lobermeier	D23/252

FOREIGN PATENT DOCUMENTS

EM	000177241-0001	8/2004
EM	000177241-0002	8/2004

OTHER PUBLICATIONS

Design Exhibition DOWNTOWN Chelsea Hotel, New York, NY,
May 15-17, 2004.

Chic Meets Cheeky in Chelsea, New York Times Sunday Ed. May
20, 2004.

Free:Go by Razeto e Casareto, Marketicff, Interior Design Maga-
zine, Jul. 2004.

Azure, p. 51, Nov./Dec. 2004.

* cited by examiner

Primary Examiner—Paula A. Greene

(74) *Attorney, Agent, or Firm*—Houston Eliseeva LLP

(57) **CLAIM**

The ornamental design for door handle, as shown and
described.

DESCRIPTION

FIG. 1 is an exploded bottom view of one embodiment of a
door handle showing my new design;

FIG. 2 is a second embodiment of a bottom view of a grip
for a door handle of FIG. 1 shown separately for purposes
of illustration;

FIG. 3 is third embodiment of a bottom view of the grip for
a door handle of FIG. 1 shown separately for purposes of
illustration;

FIG. 4 is a front exploded view of the door handle of FIG.
1;

FIG. 5 is a back exploded view of the door handle of FIG.
1, the only difference being the interchangeable grip;

FIG. 6 is a front view of the door handle of FIG. 1 in an
alternate position, the only difference being the interchange-
able grip;

FIG. 7 is an exploded front elevational view of a door handle
of FIG. 1 with the interchangeable grip detached for pur-
poses of illustration, the only difference being the inter-
changeable grip;

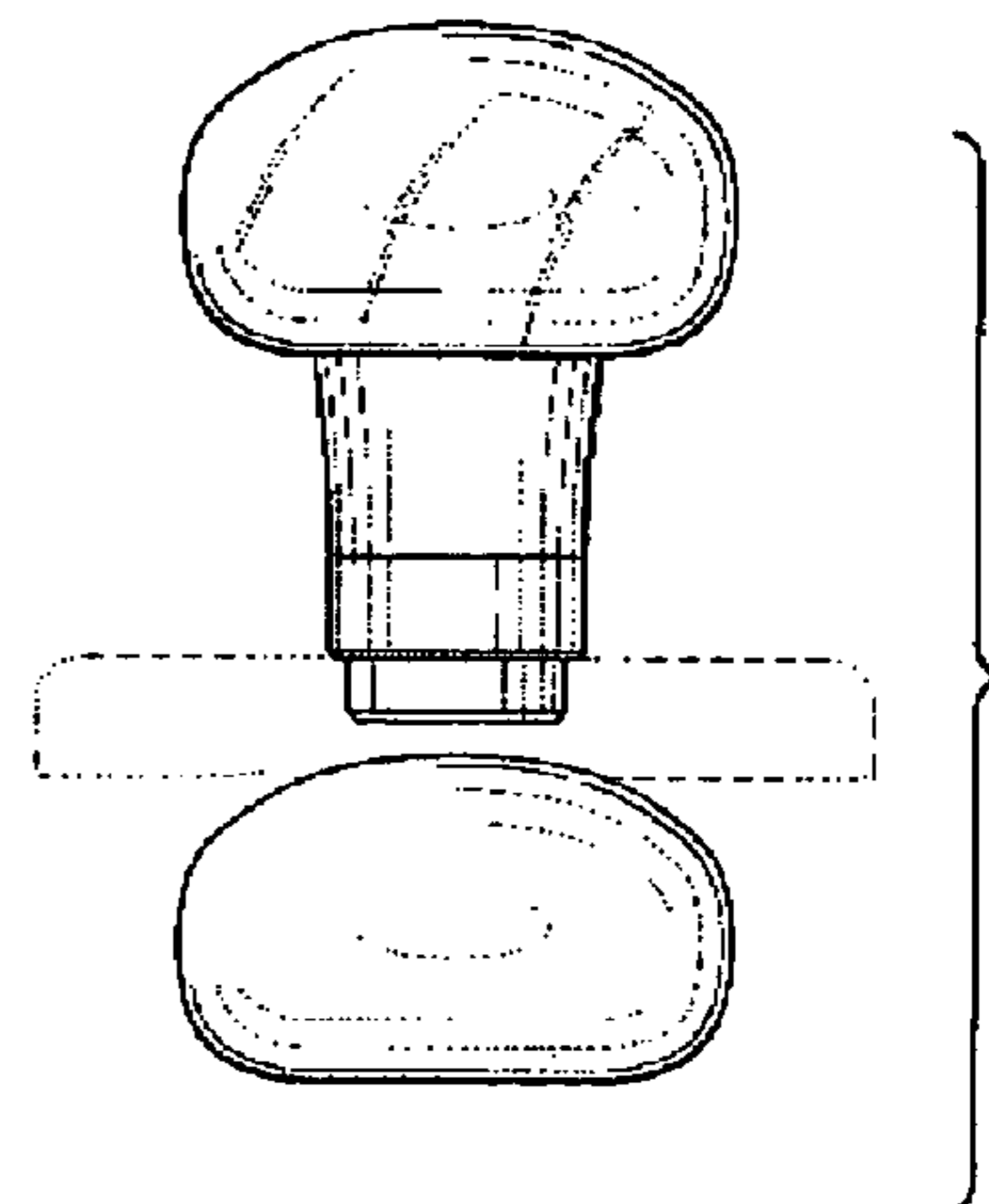
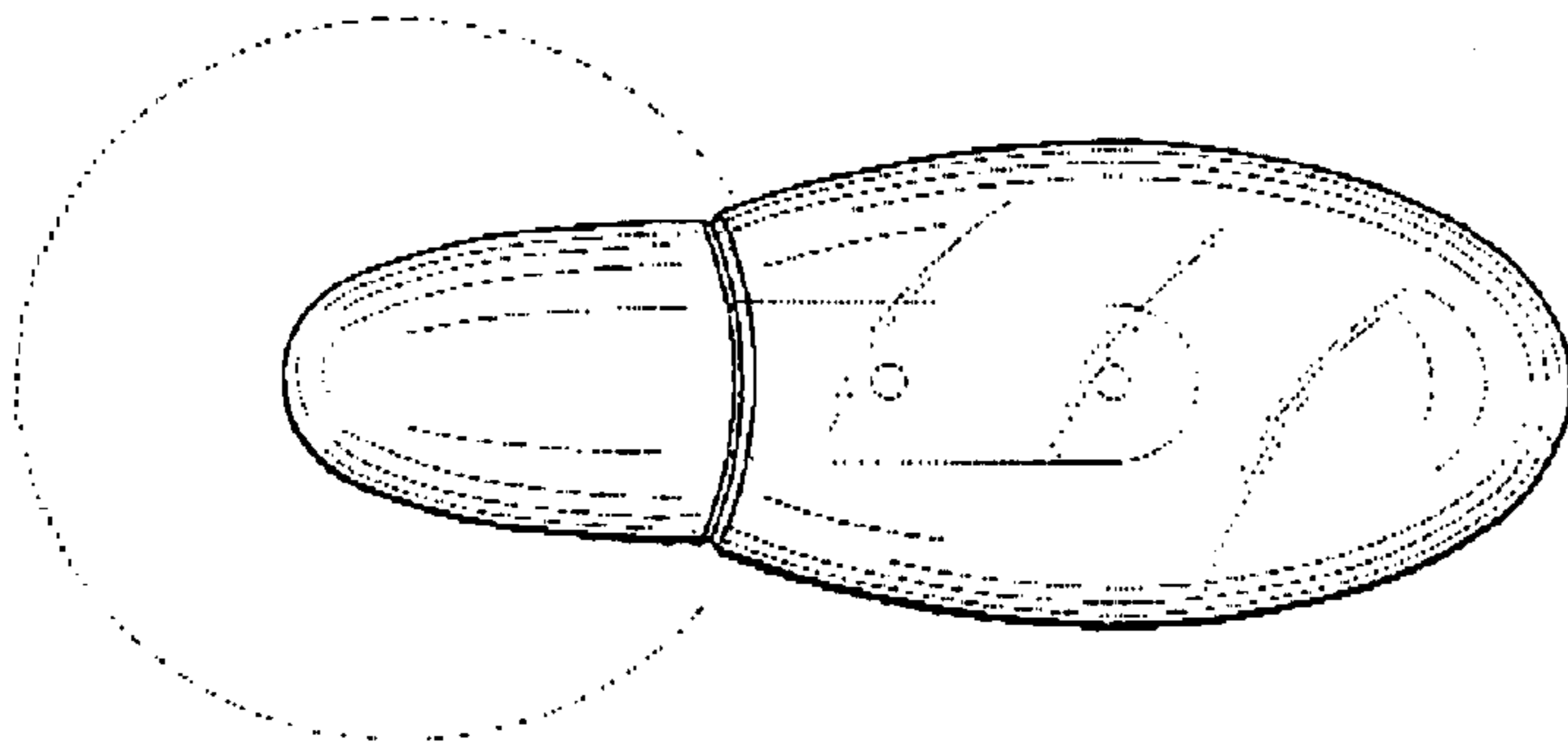
FIG. 8 is a front elevational view of one embodiment of the
interchangeable grip of the door handle shown separately for
purposes of illustration,

FIG. 9 is an exploded rear elevational view of one embodi-
ment of a door handle with interchangeable grip detached
for purposes of illustration, the only difference being the
interchangeable grip; and,

FIG. 10 is a rear elevational view of one embodiment of the
interchangeable grip for a door handle shown separately for
purposes of illustration.

The broken lines are included for the purpose of illustration
and form no part of the claimed design.

1 Claim, 3 Drawing Sheets



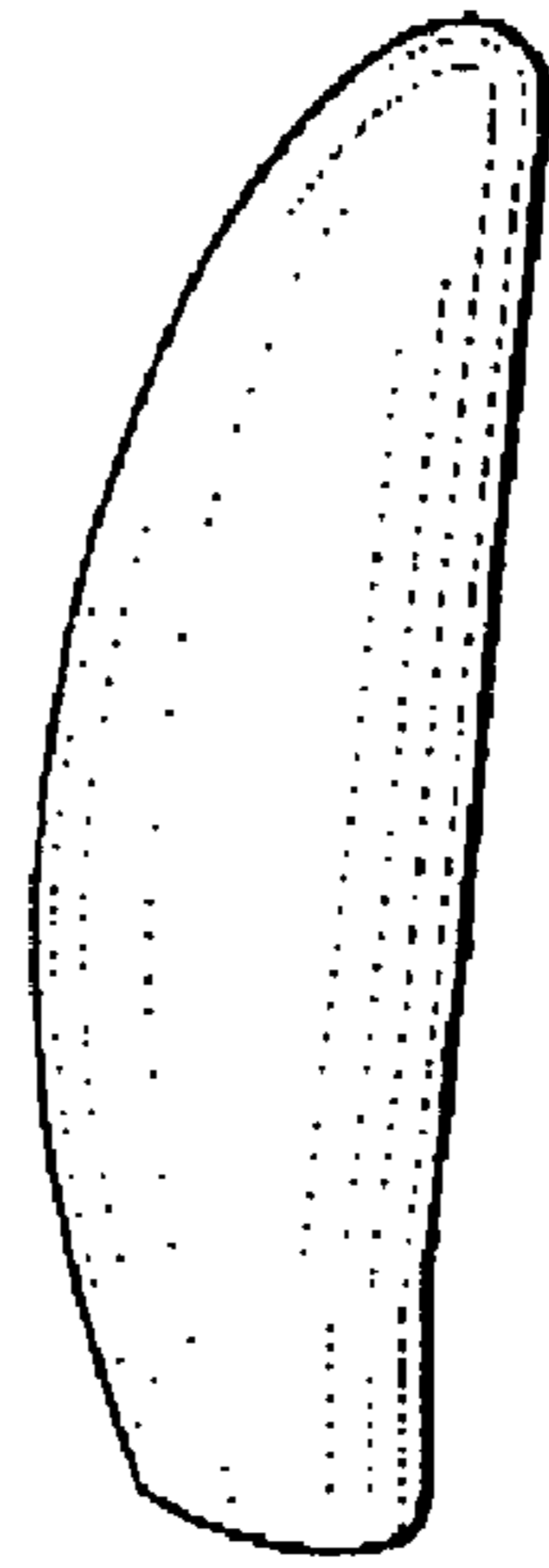
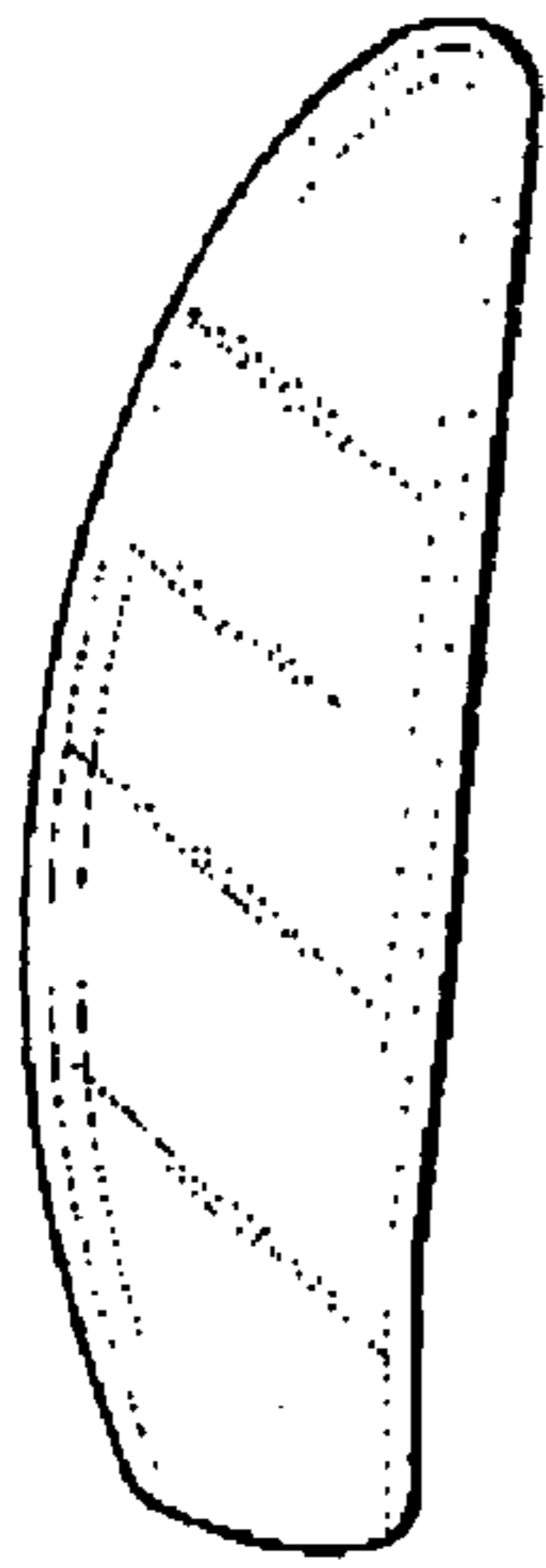
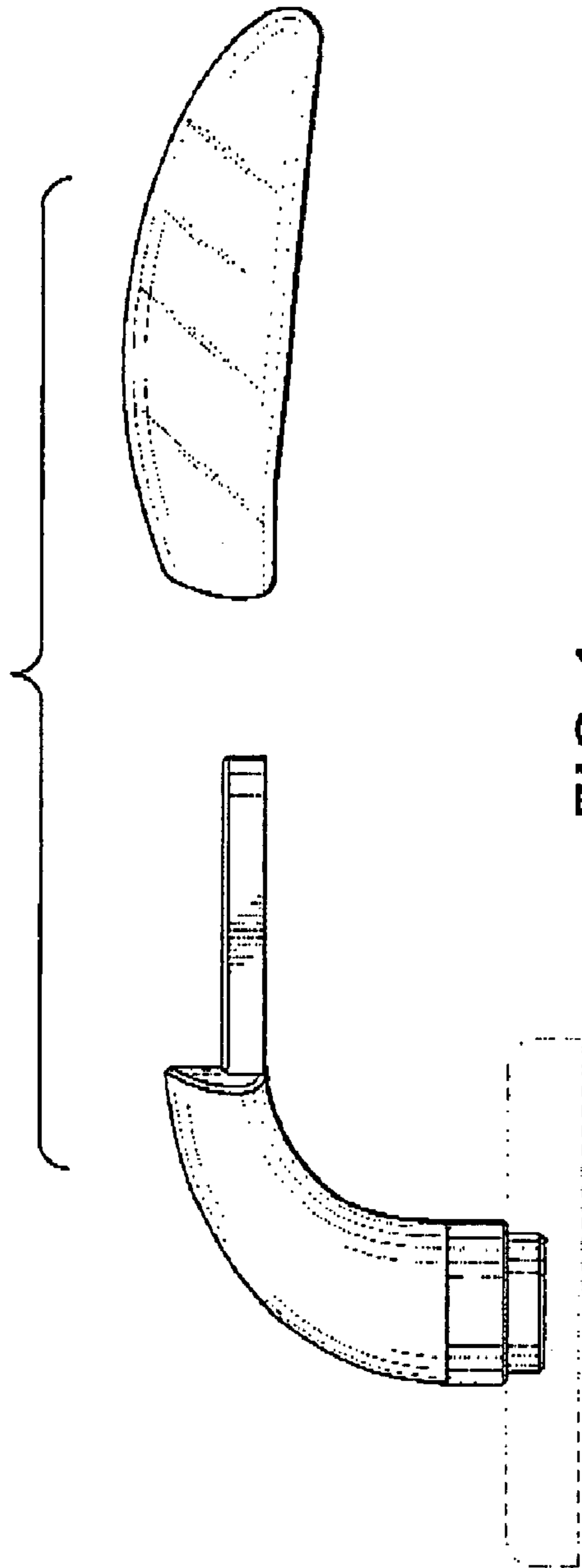
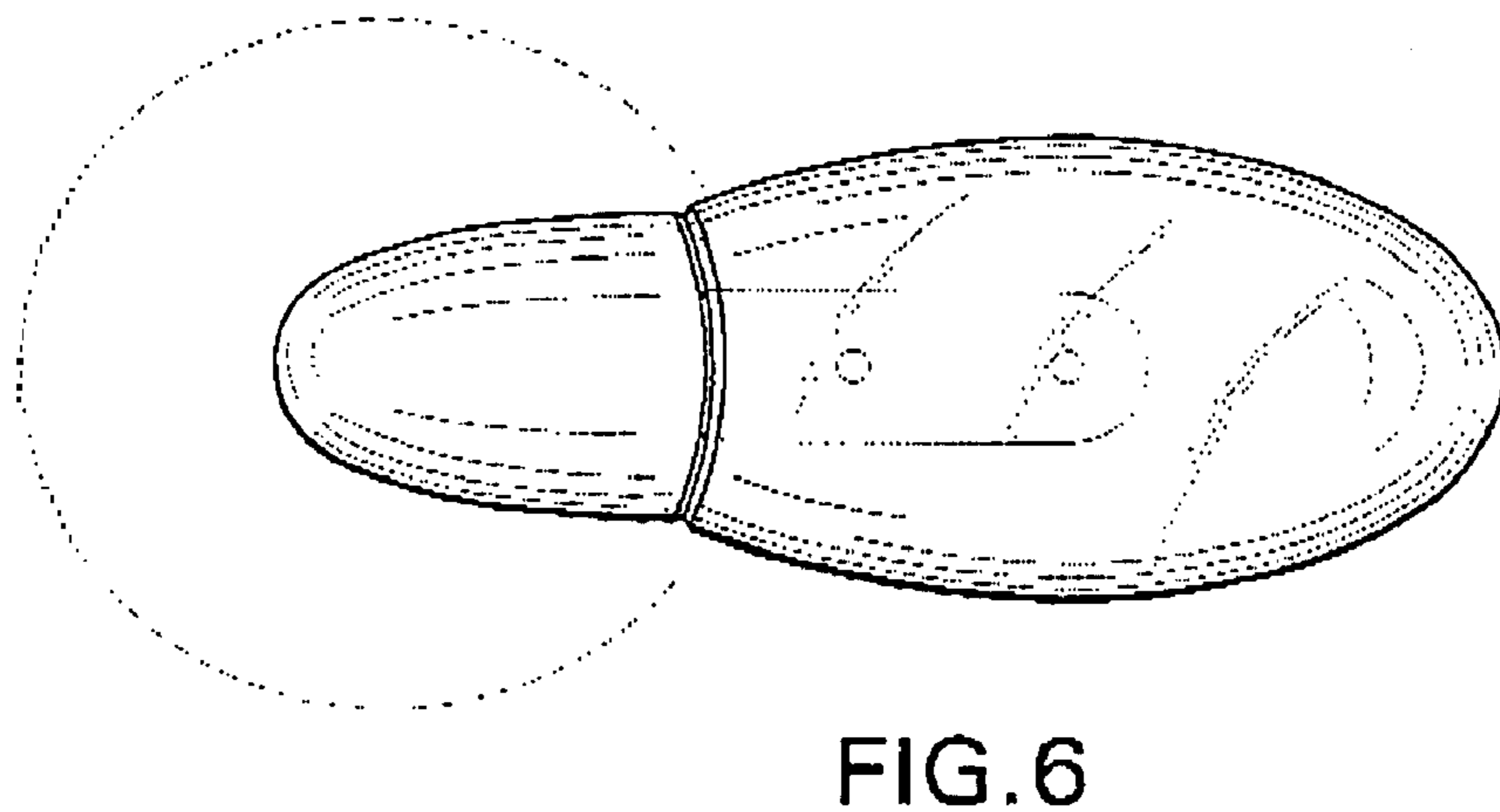
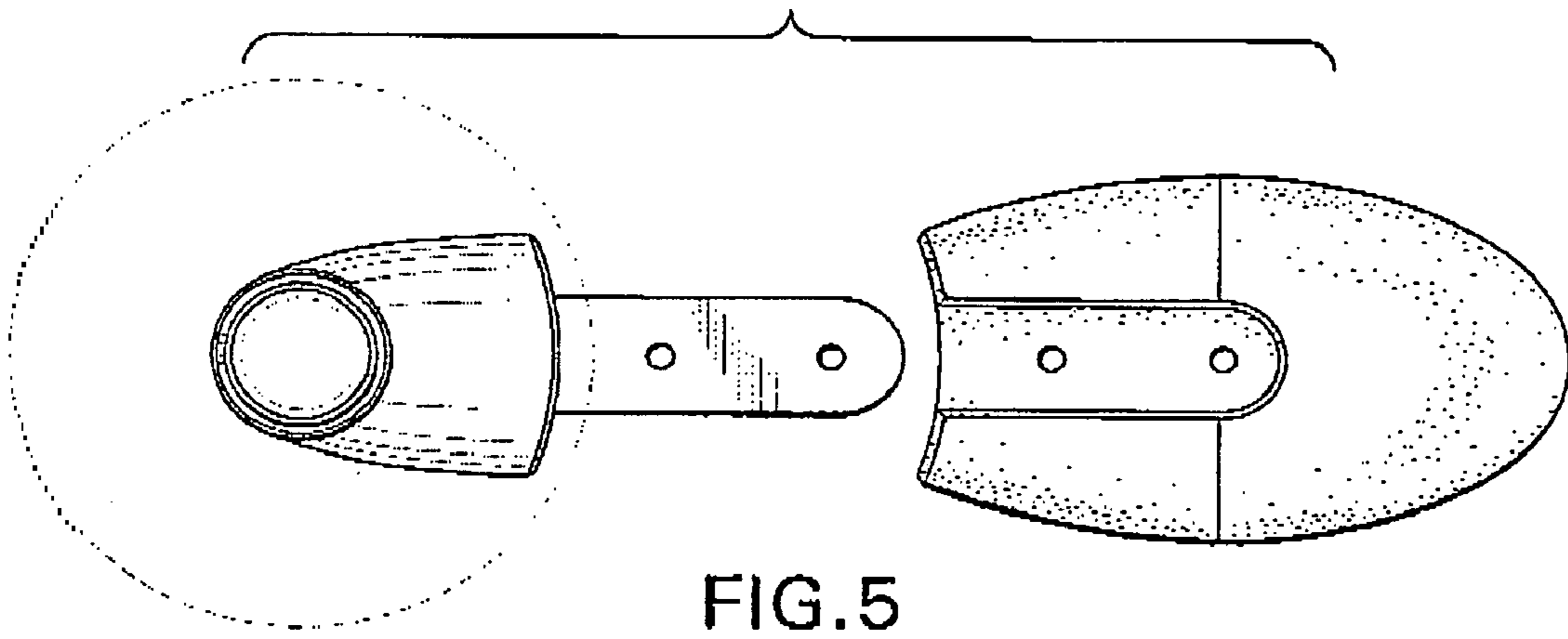
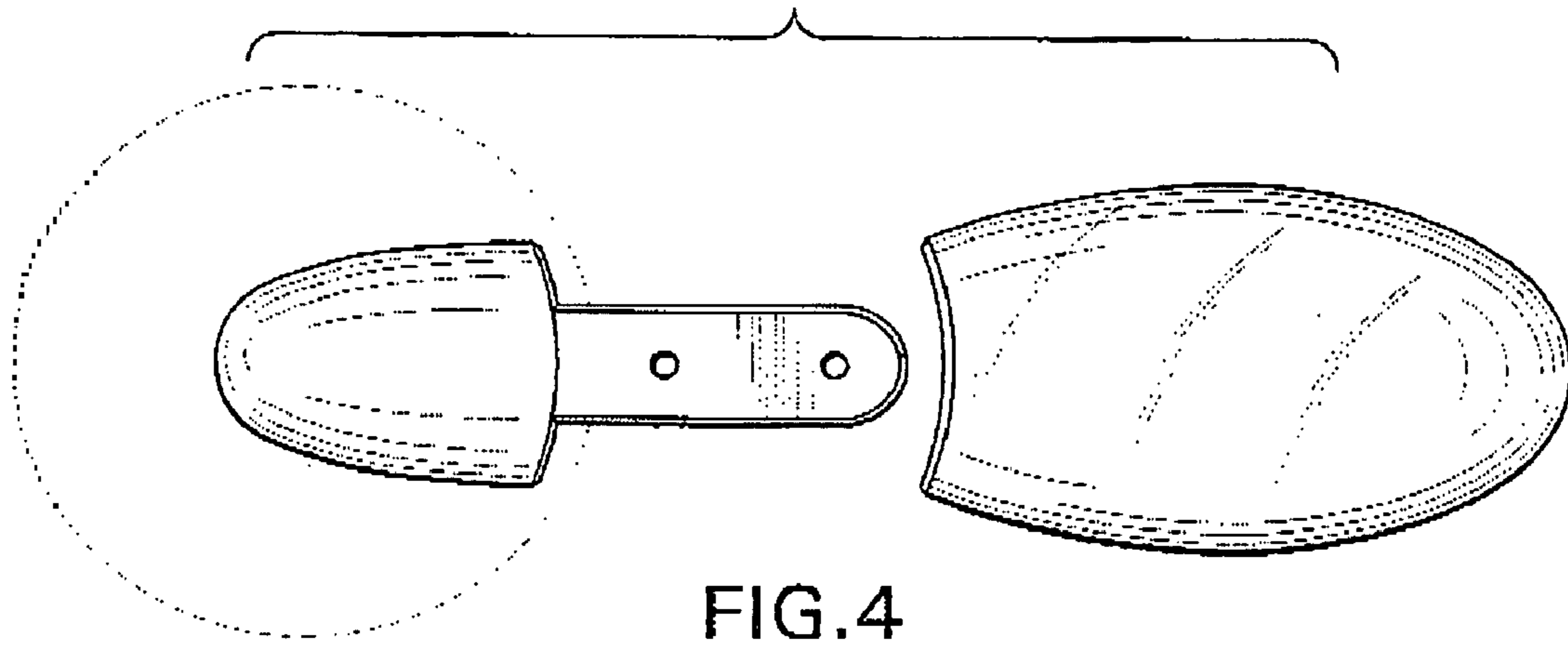


FIG. 2

FIG. 3



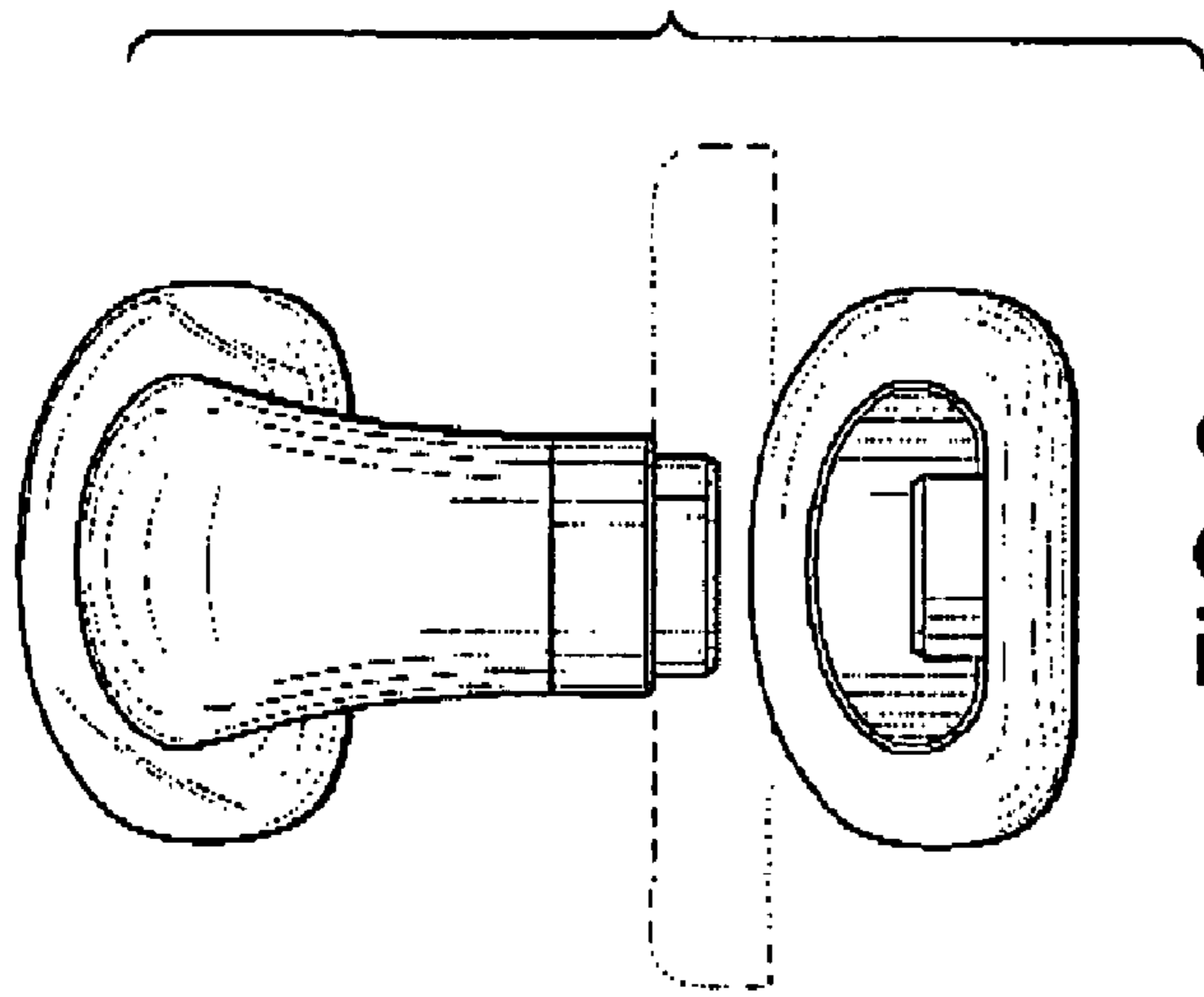


FIG. 9

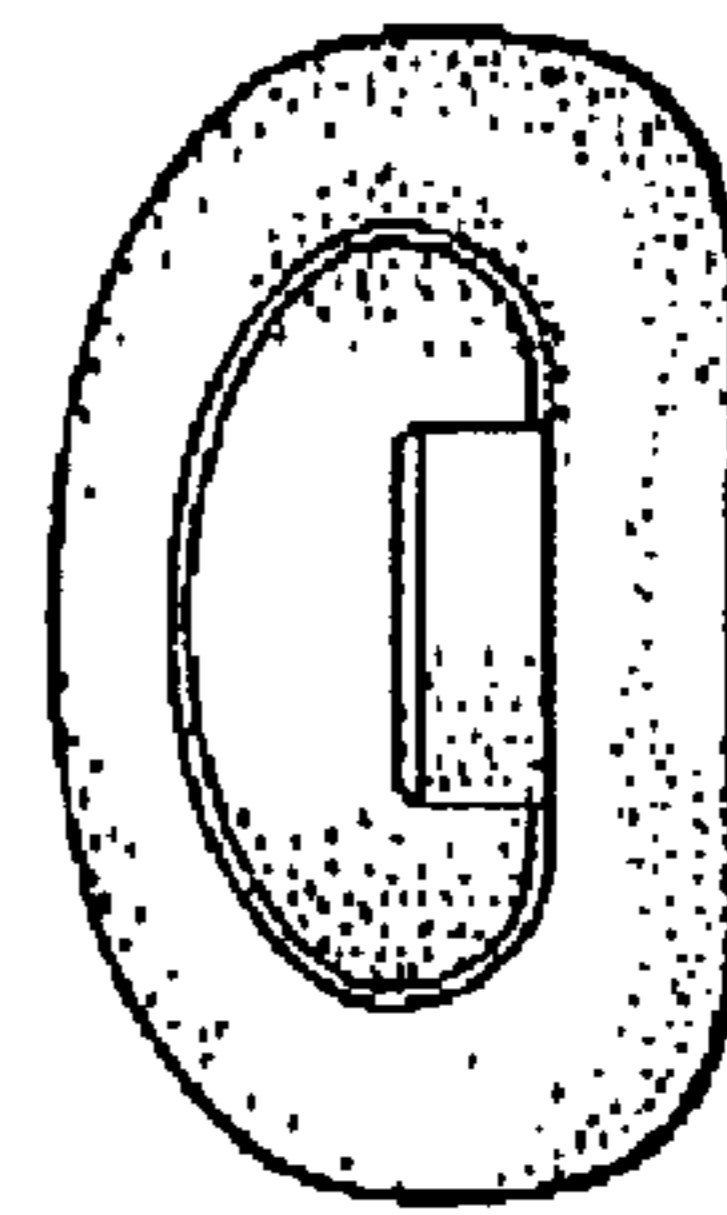


FIG. 10

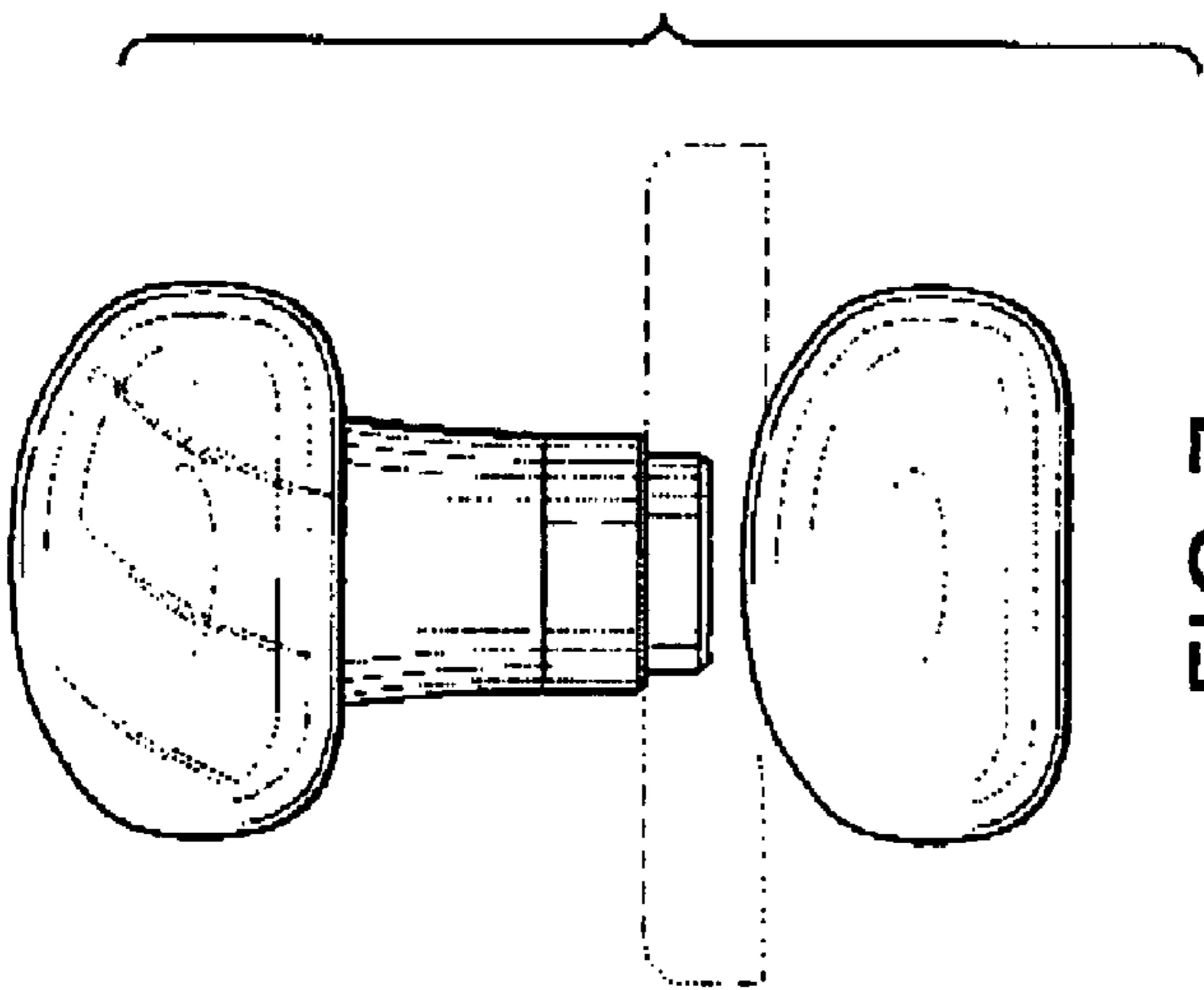


FIG. 7

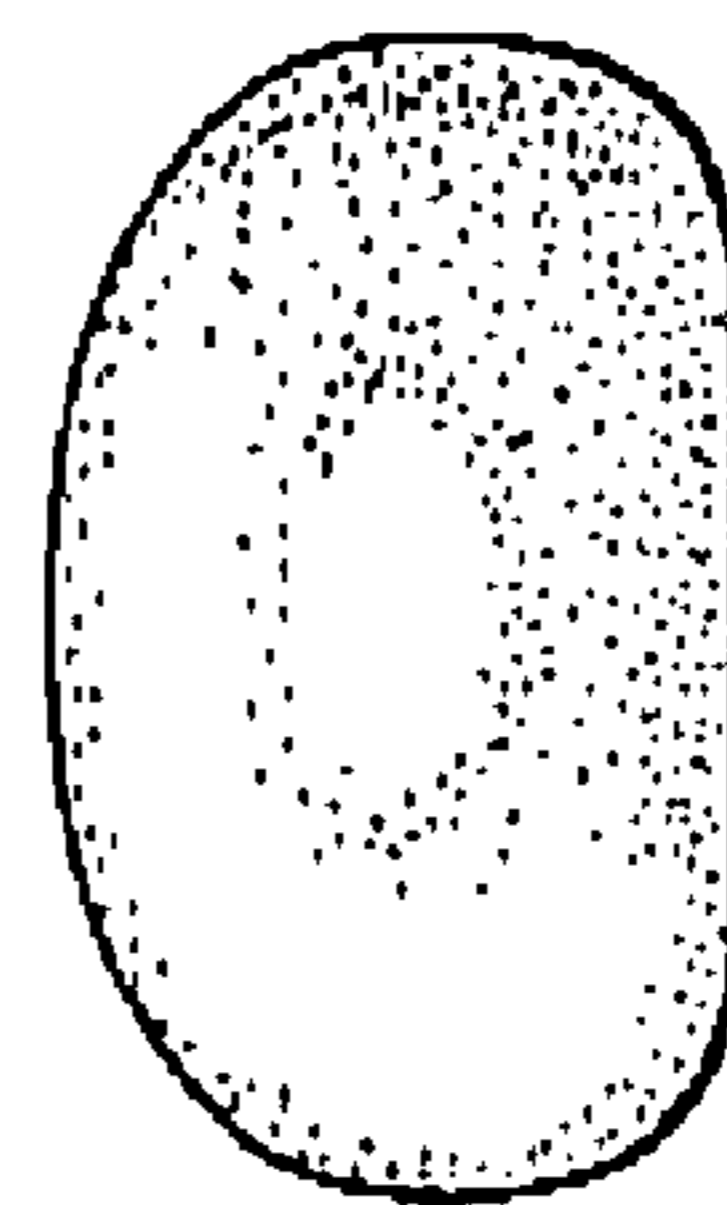


FIG. 8