



US00D557102S

(12) **United States Design Patent** (10) **Patent No.:** **US D557,102 S**
Perez et al. (45) **Date of Patent:** **** Dec. 11, 2007**

(54) **HANDLE FOR TAPING KNIFE WITH ENLARGED HAMMER END**

(75) Inventors: **Ricardo Perez**, Hartford, CT (US);
Jason Lind, Barkhamsted, CT (US);
Matthew Earle Myers, Naperville, IL (US)

(73) Assignee: **United States Gypsum Company**,
Chicago, IL (US)

(**) Term: **14 Years**

(21) Appl. No.: **29/272,023**

(22) Filed: **Jan. 31, 2007**

Related U.S. Application Data

(62) Division of application No. 29/234,783, filed on Jul. 22, 2005, now Pat. No. Des. 541,617.

(51) **LOC (8) Cl.** **08-05**

(52) **U.S. Cl.** **D8/107**

(58) **Field of Classification Search** D8/45,
D8/14, 107, 21, 27, 47, 82-87, 99-101, DIG. 7;
D7/393, 395, 688, 693; 15/235.3, 236.01,
15/245.1; 16/DIG. 12, DIG. 18, DIG. 19,
16/110.1, 421, 422, 430, 431, 435; 81/177.1,
81/436-439, 489-492, 60-62, 63.1; 192/43.2;
30/142, 169

See application file for complete search history.

(56) **References Cited**

U.S. PATENT DOCUMENTS

D157,904 S	3/1950	Reusch	
D206,517 S *	12/1966	Han	D8/14
3,971,094 A *	7/1976	Solf et al.	15/143.1
D282,716 S	2/1986	Heinis et al.	
4,719,660 A	1/1988	Hopkins	
D319,379 S *	8/1991	Cummings et al.	D8/107
5,390,572 A	2/1995	Gakhar et al.	
5,615,445 A *	4/1997	Kelsay et al.	15/245.1
D389,720 S	1/1998	Warner et al.	

D397,281 S	8/1998	Hsu et al.	
5,850,663 A *	12/1998	Hardy et al.	15/236.01
5,920,943 A *	7/1999	Barker	15/143.1
D414,395 S	9/1999	Panfilii	
5,956,799 A	9/1999	Panaccione et al.	
6,131,290 A	10/2000	Chiou	
D441,269 S	5/2001	Tsai	
D444,692 S *	7/2001	Marquardt	D8/107
D446,104 S	8/2001	Chen	
D446,437 S	8/2001	Chen	
D462,251 S *	9/2002	Collins et al.	D8/107
6,453,563 B1	9/2002	Farland	
RE38,093 E	4/2003	Chiou	
6,588,113 B2	7/2003	Bozikis et al.	
D482,259 S	11/2003	Chen	
6,647,629 B2	11/2003	Farland	

(Continued)

Primary Examiner—Cathron C. Brooks

Assistant Examiner—Barbara Fox

(74) *Attorney, Agent, or Firm*—Greer, Burns & Crain, Ltd.;
Michael M. Geoffrey; David F. Janci

(57) **CLAIM**

The ornamental design for a handle for taping knife with enlarged hammer end, as shown and described.

DESCRIPTION

FIG. 1 is a front view of a of the present handle, the rear view being identical;

FIG. 2 is a left side view of same, the right side being identical;

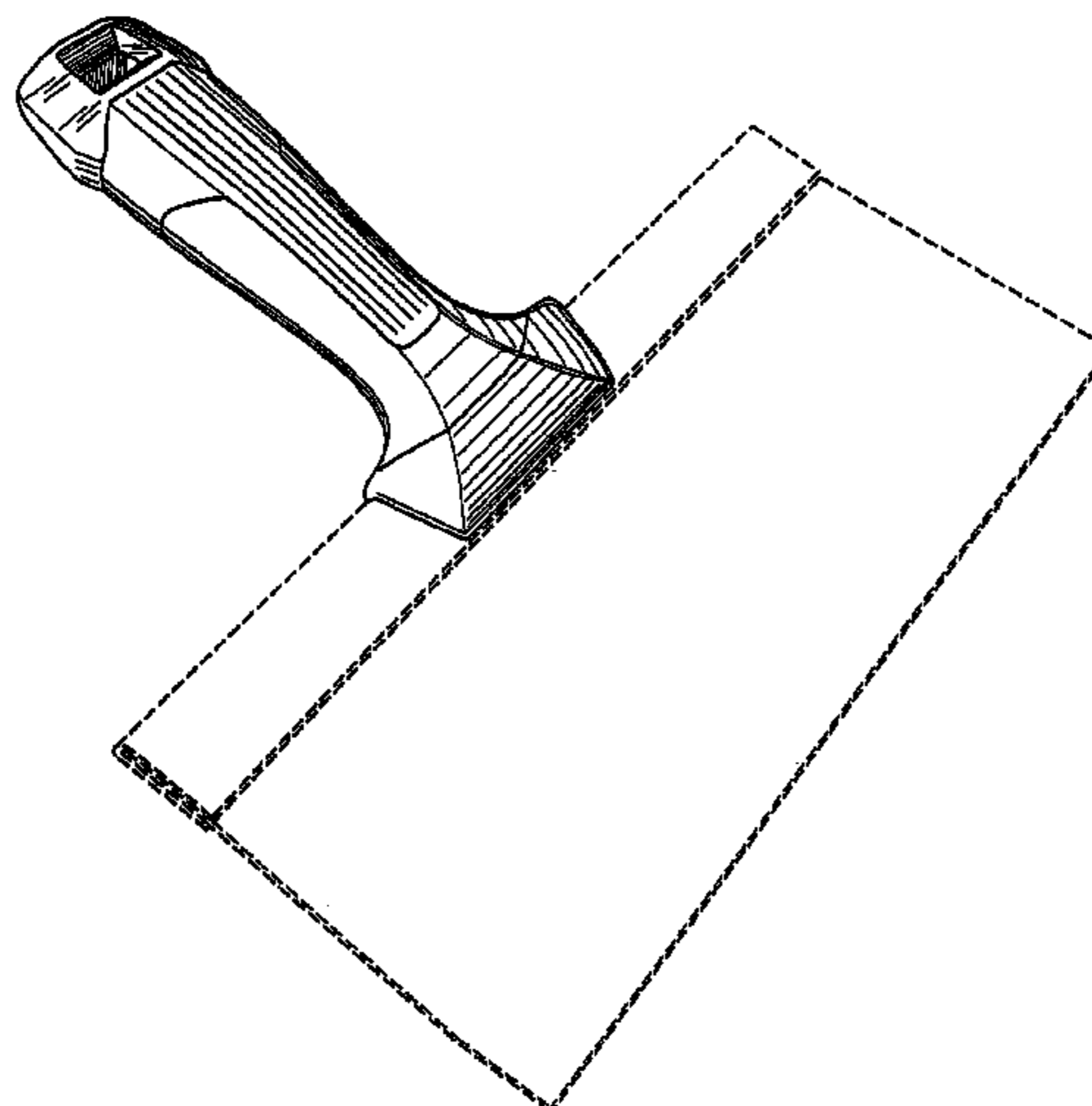
FIG. 3 is a top view of the handle of FIG. 1, shown at a larger scale;

FIG. 4 is a bottom view of same, shown at a larger scale; and,

FIG. 5 is a top perspective view of the handle of FIG. 1.

The subject matter depicted in broken lines is not intended to be part of the claimed invention and is shown only for environment purposes.

1 Claim, 4 Drawing Sheets



US D557,102 S

Page 2

U.S. PATENT DOCUMENTS

D482,874 S	12/2003	Dotterman	D487,387 S	3/2004	Chen
D483,244 S	* 12/2003	Chen D8/107	6,742,215 B2	6/2004	Panfili et al.
D483,638 S	12/2003	Jimenez	D494,830 S	8/2004	Konen
D484,021 S	12/2003	Mariol	D495,227 S	8/2004	Hung
6,668,751 B1	12/2003	Henke	D498,124 S	11/2004	Mitchell
D486,046 S	2/2004	Norton	D500,600 S	1/2005	Hay et al.
D487,219 S	3/2004	Chudy et al.	2003/0084545 A1	5/2003	Cheng

* cited by examiner

FIG. 1

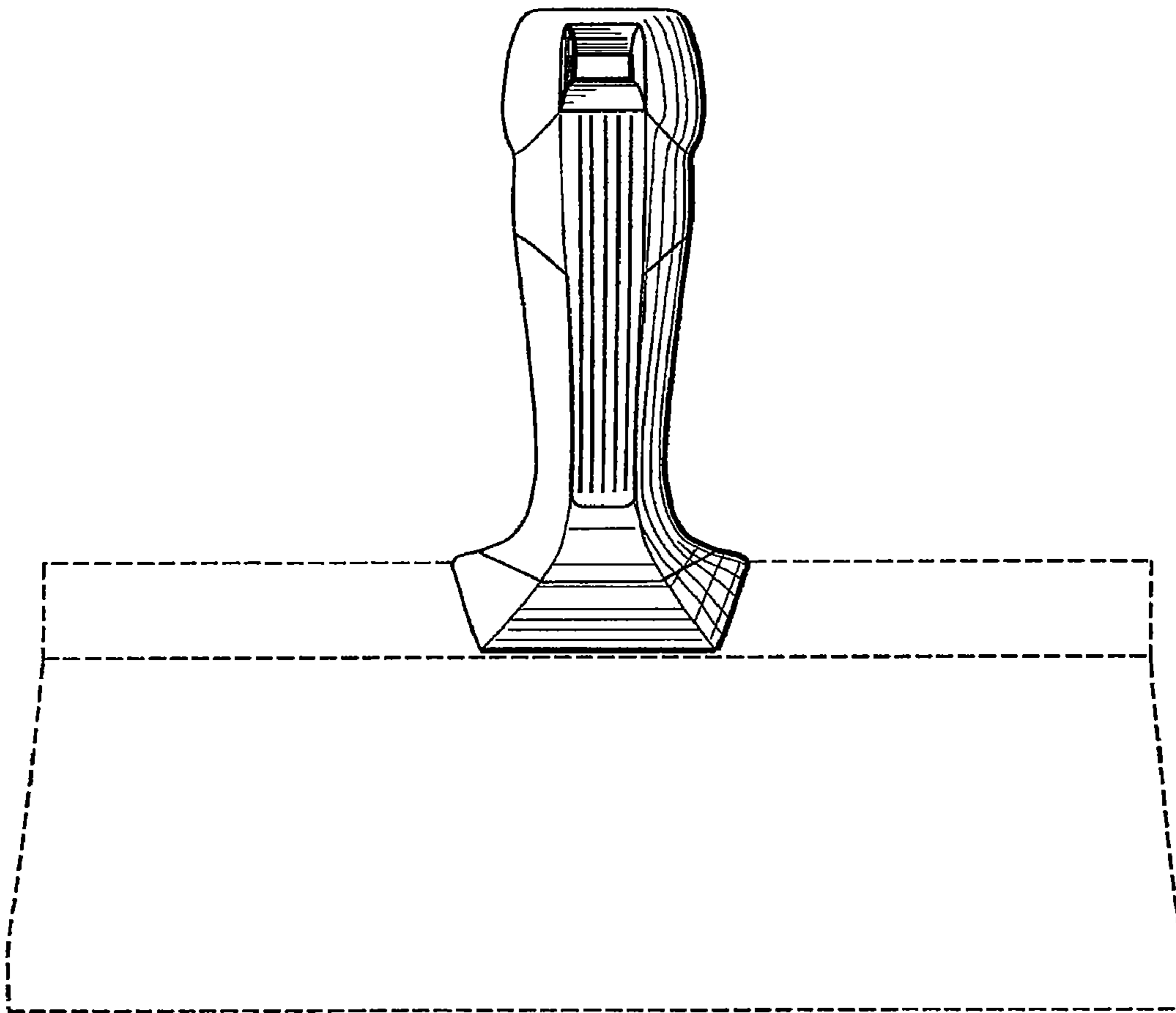


FIG. 2

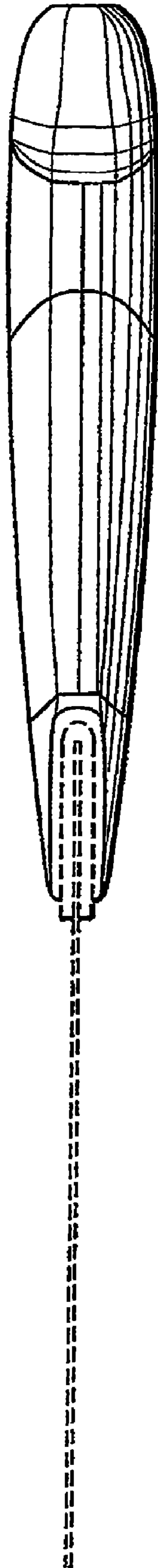


FIG. 3

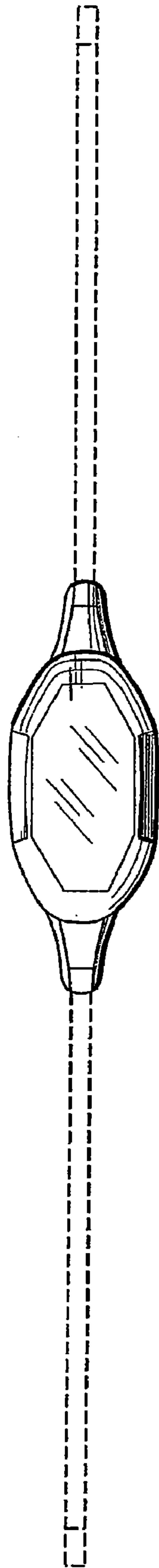
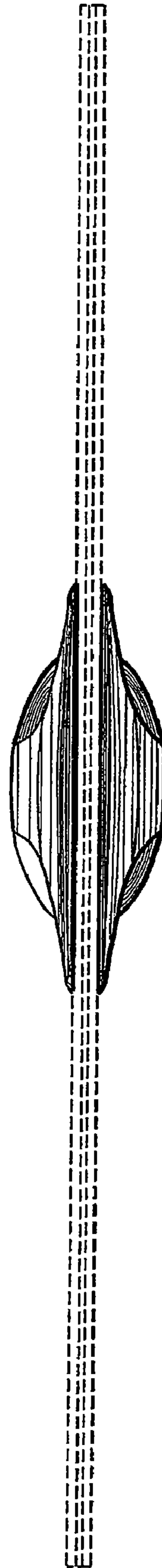


FIG. 4



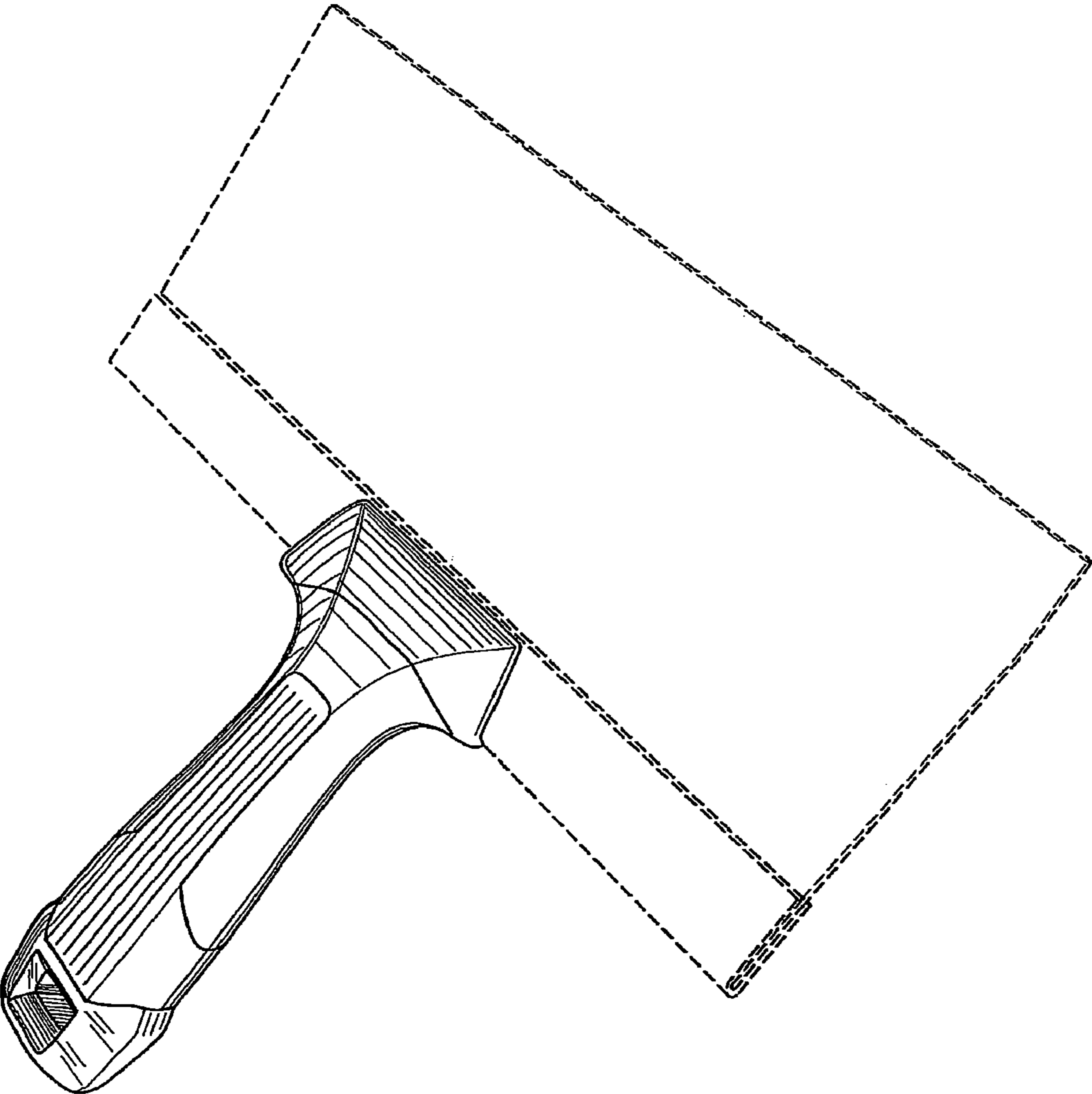


FIG. 5