



US00D557100S

(12) **United States Design Patent**  
**Stokes et al.**

(10) **Patent No.:** **US D557,100 S**

(45) **Date of Patent:** **\*\* Dec. 11, 2007**

(54) **MULTI-PURPOSE TOOL**

(76) Inventors: **Thomas Richard Stokes**, 8405 Glisan Ct., Williamsburg, VA (US) 23188;  
**Launce Reed Barber**, 3328 Ellwood Ave., #5, Richmond, VA (US) 23221

(\*\*) Term: **14 Years**

(21) Appl. No.: **29/269,678**

(22) Filed: **Dec. 5, 2006**

(51) **LOC (8) Cl.** ..... **08-05**

(52) **U.S. Cl.** ..... **D8/105**

(58) **Field of Classification Search** ..... D8/99,  
D8/58, 55, 52, 356, 107, 105; D19/65; 81/440,  
81/427.5; 7/160, 138, 128, 118; 30/298.4,  
30/162, 161, 155

See application file for complete search history.

(56) **References Cited**

**U.S. PATENT DOCUMENTS**

D368,634 S *	4/1996	Frazer	.....	D8/105
D371,498 S *	7/1996	Lai	.....	D8/105
D382,182 S *	8/1997	Seber et al.	.....	D8/55
D384,872 S *	10/1997	Yeh	.....	D8/105
D407,621 S *	4/1999	Koon et al.	.....	D8/105
6,014,787 A *	1/2000	Rivera	.....	7/128
6,023,805 A *	2/2000	Lin	.....	7/128
D429,988 S *	8/2000	Lau et al.	.....	D8/105
6,276,063 B1 *	8/2001	Chen	.....	30/161
D448,636 S *	10/2001	Yeh	.....	D8/55
D455,629 S *	4/2002	Ping	.....	D8/105
6,450,071 B2 *	9/2002	Berg et al.	.....	81/427.5
D467,783 S *	12/2002	Onion	.....	D8/107

D481,289 S *	10/2003	Dallas	.....	D8/105
D505,057 S *	5/2005	Ralph	.....	D8/99
2001/0014986 A1 *	8/2001	Harrison	.....	7/128

\* cited by examiner

*Primary Examiner*—Cathron C. Brooks

*Assistant Examiner*—Austin Murphy

(74) *Attorney, Agent, or Firm*—Klarquist Sparkman, LLP

(57) **CLAIM**

We claim the ornamental design for a multi-purpose tool, as shown and described.

**DESCRIPTION**

FIG. 1 is a perspective view of a multi-purpose tool, as viewed from the top and the left side thereof.

FIG. 2 is a perspective view of the multi-purpose tool, as viewed from the bottom and the right side thereof.

FIG. 3 is a side elevation view of the left side of the multi-purpose tool.

FIG. 4 is a side elevation view of the right side of the multi-purpose tool.

FIG. 5 is a top plan view of the multi-purpose tool.

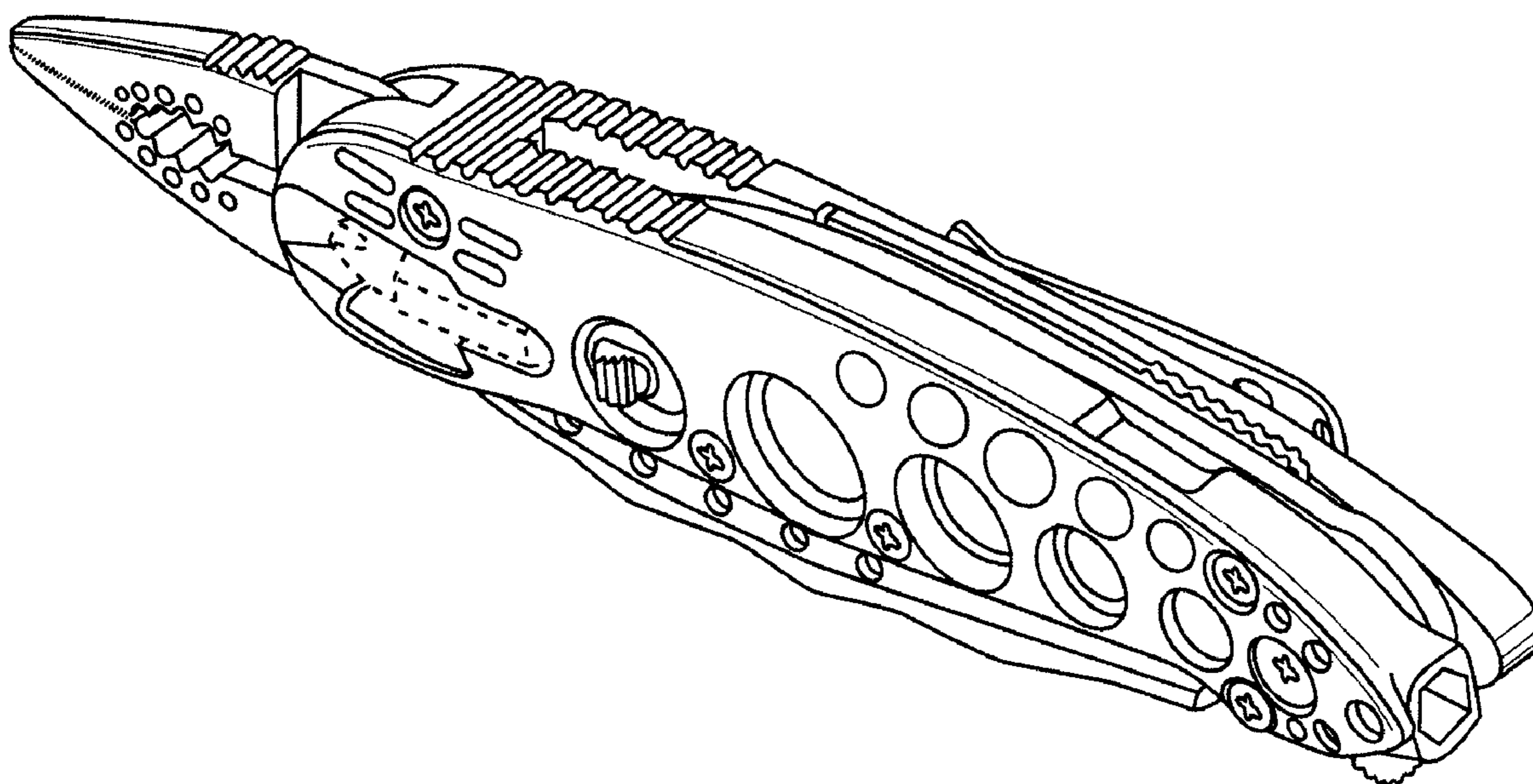
FIG. 6 is a bottom plan view of the multi-purpose tool.

FIG. 7 is a front elevation view of the multi-purpose tool; and,

FIG. 8 is a rear elevation view of the multi-purpose tool.

The dashed lines in the drawings are for illustrative purposes only and form no part of the claimed design.

**1 Claim, 3 Drawing Sheets**



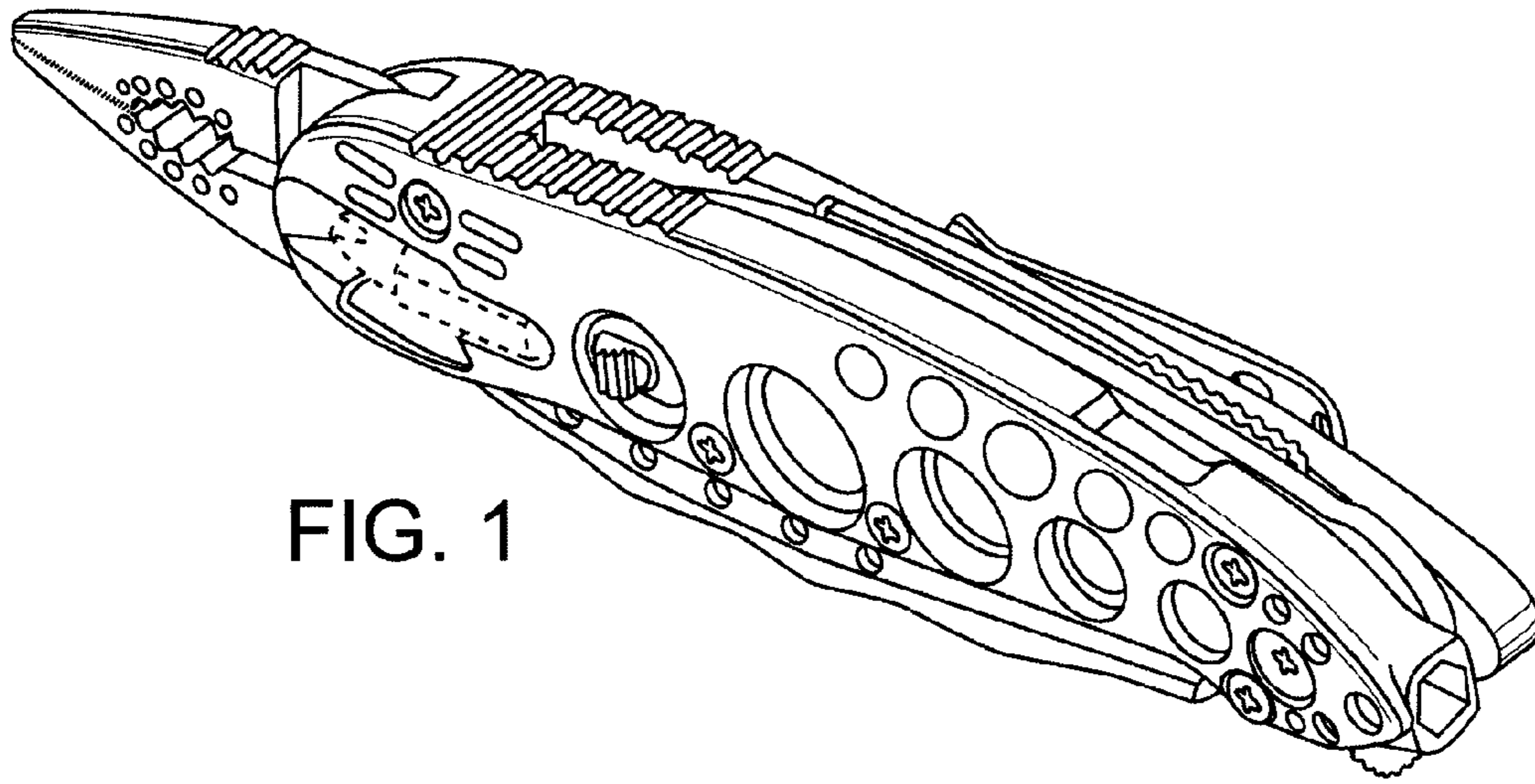


FIG. 1

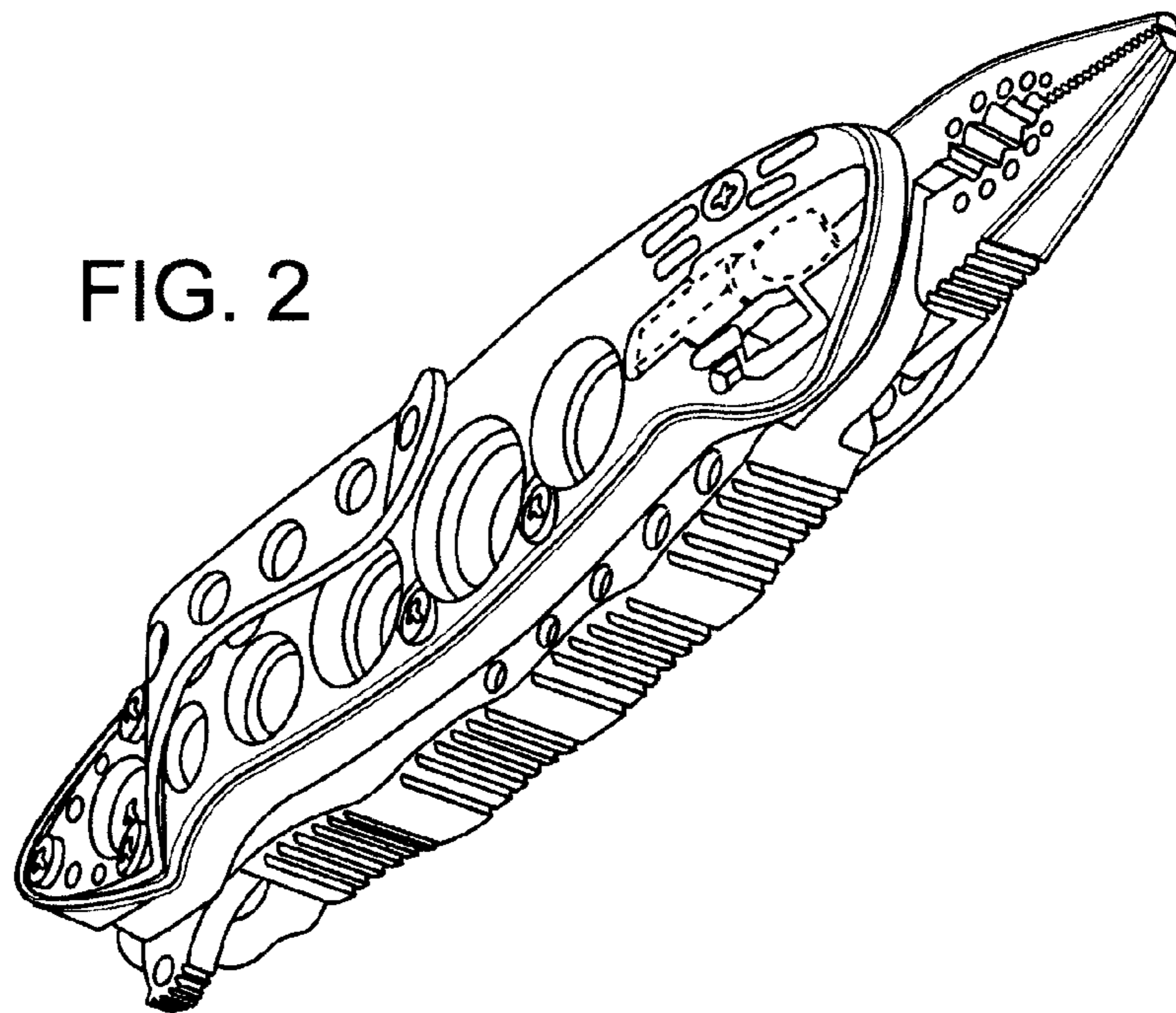


FIG. 2

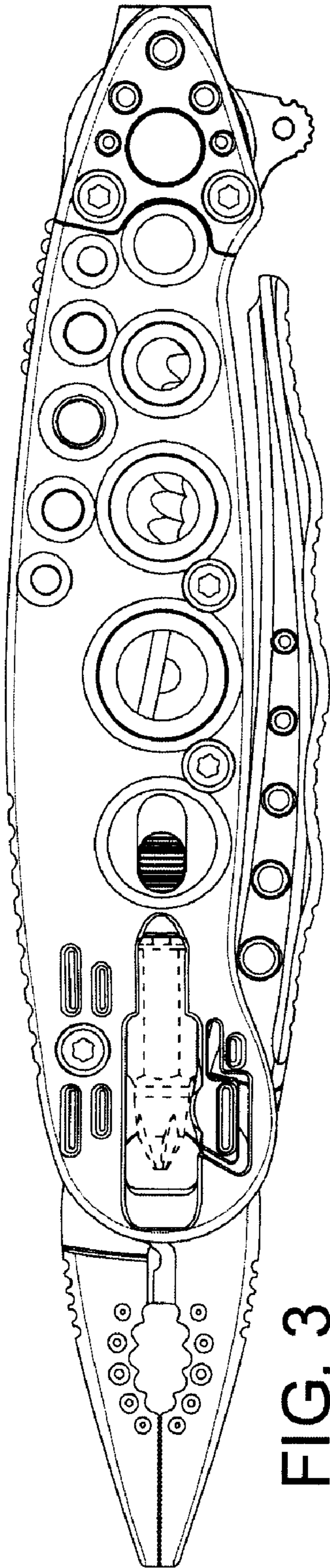


FIG. 3

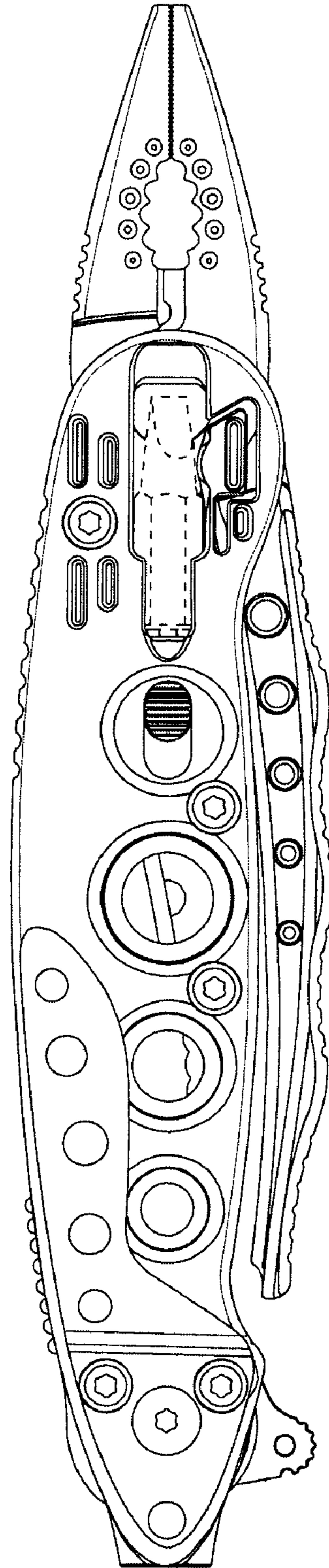


FIG. 4

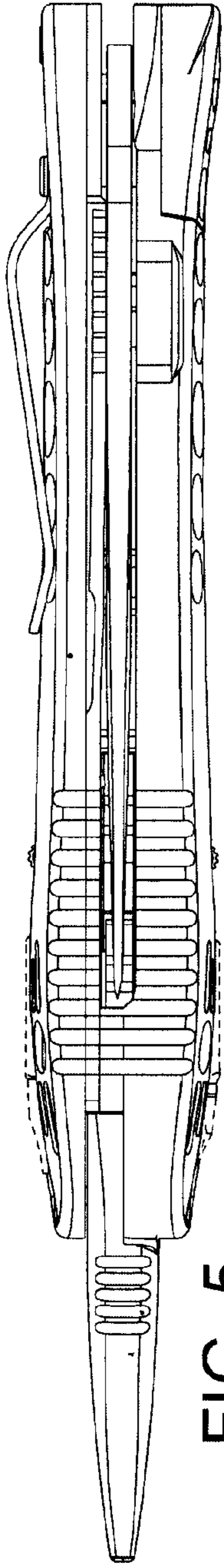


FIG. 5

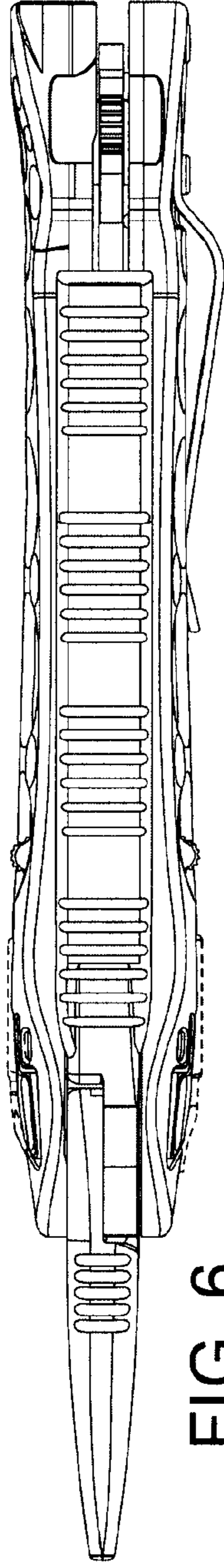


FIG. 6

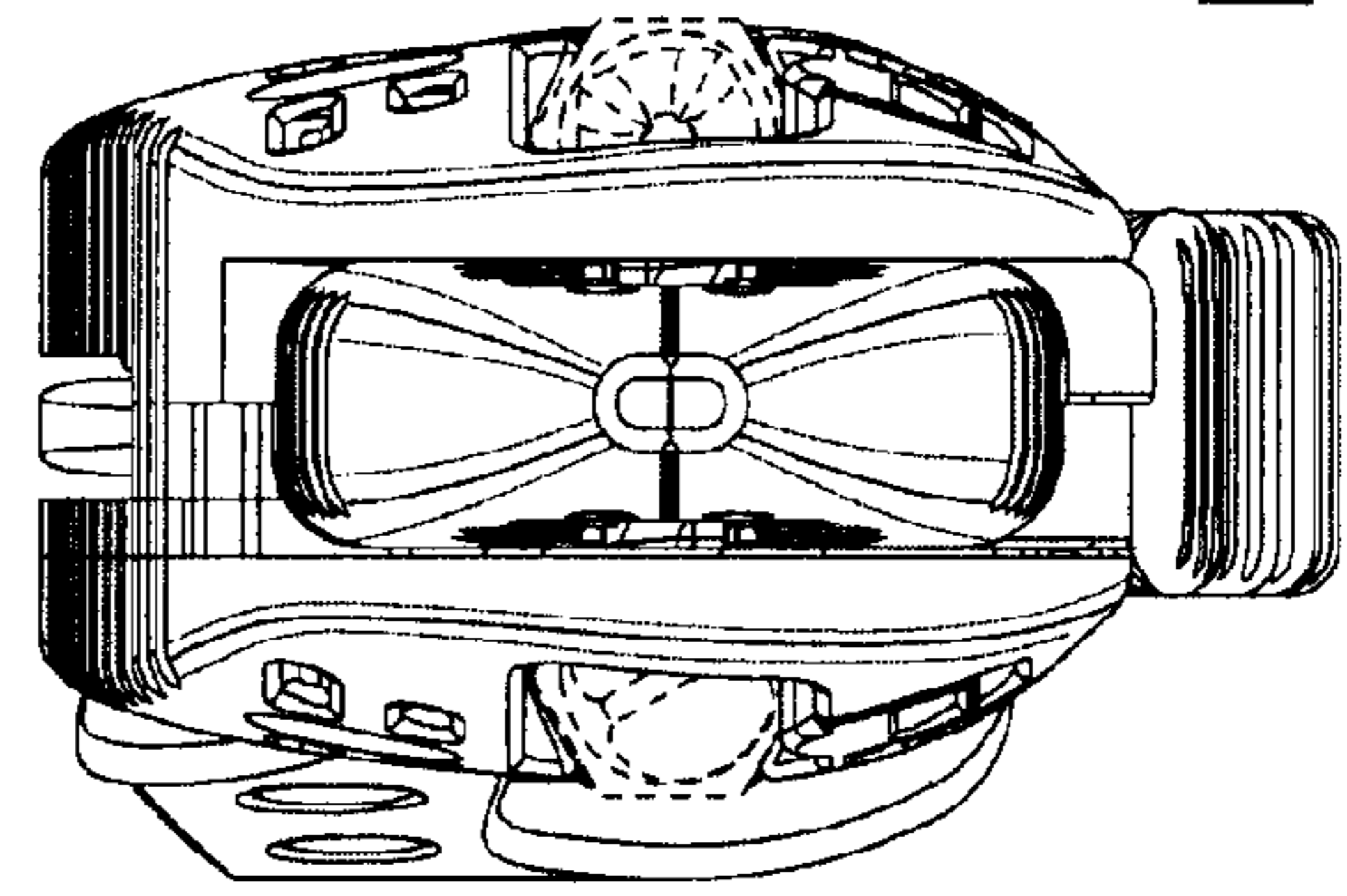


FIG. 7

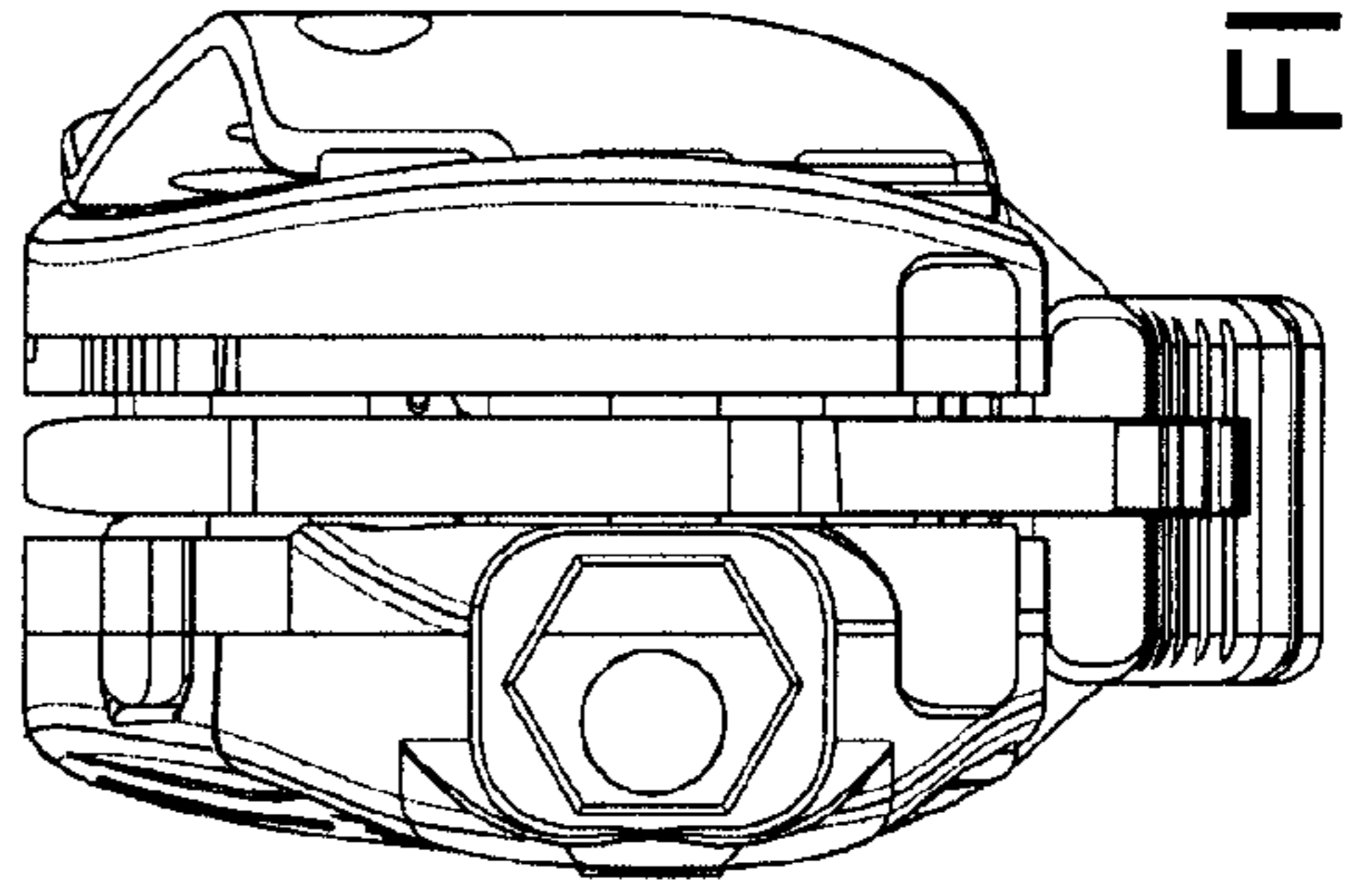


FIG. 8