



US00D557099S

(12) **United States Design Patent**
Lin

(10) **Patent No.:** **US D557,099 S**

(45) **Date of Patent:** **** Dec. 11, 2007**

(54) **SCREWDRIVER**

D449,505 S * 10/2001 Glass et al. D8/83
D454,766 S * 3/2002 Lin D8/82
D536,234 S * 2/2007 Lin D8/107

(76) Inventor: **Fen-Ling Lin**, No. 39, Lane 158, Shan
Hua Road, Tali City, Taichung Hsien
(TW)

* cited by examiner

(**) Term: **14 Years**

Primary Examiner—Philip S. Hyder
(74) *Attorney, Agent, or Firm*—Alan Kamrath; Kamrath &
Associates P.A.

(21) Appl. No.: **29/250,998**

(22) Filed: **Dec. 8, 2006**

(57) **CLAIM**

(51) **LOC (8) Cl.** **08-04**

The ornamental design for the screwdriver, as shown and
described.

(52) **U.S. Cl.** **D8/82; D8/83; D8/87**

(58) **Field of Classification Search** D8/82,
D8/83, 84, 85, 86, 87, 107; 81/436, 437,
81/438, 177.1, 489, 177.7; 362/119, 120
See application file for complete search history.

DESCRIPTION

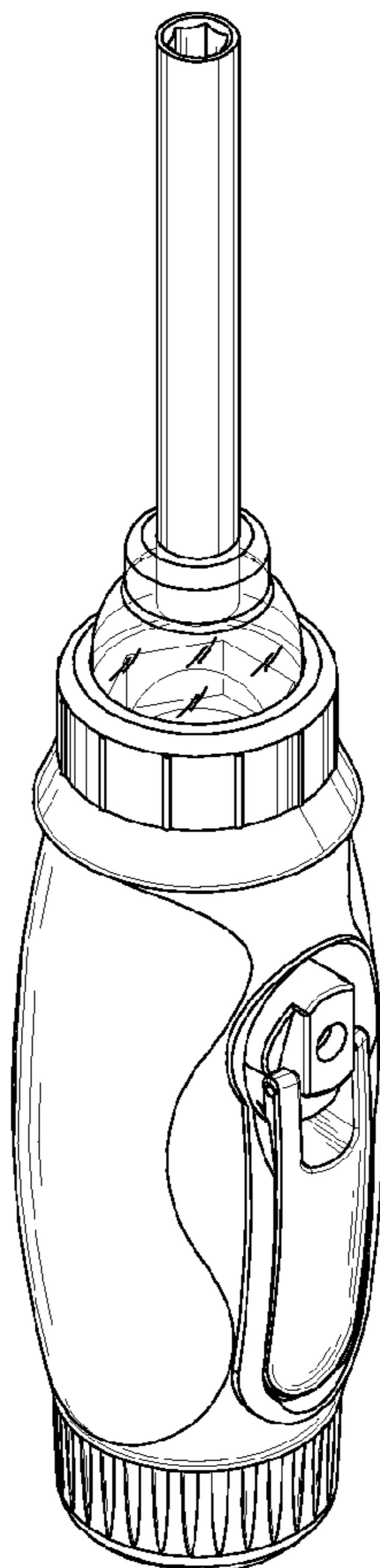
(56) **References Cited**

FIG. 1 is a perspective view of a screwdriver showing my
new design;
FIG. 2 is a front view thereof;
FIG. 3 is a rear view thereof;
FIG. 4 is a left view thereof;
FIG. 5 is a right view thereof;
FIG. 6 is a top view thereof; and,
FIG. 7 is a bottom view thereof.

U.S. PATENT DOCUMENTS

D404,277 S * 1/1999 Shiao D8/83
D412,096 S * 7/1999 Kung et al. D8/87
D421,887 S * 3/2000 Hung D8/83
D423,900 S * 5/2000 Hung D8/83
D425,387 S * 5/2000 Shiao D8/82
D430,784 S * 9/2000 Shiao D8/82
D438,083 S * 2/2001 Shiao D8/82

1 Claim, 3 Drawing Sheets



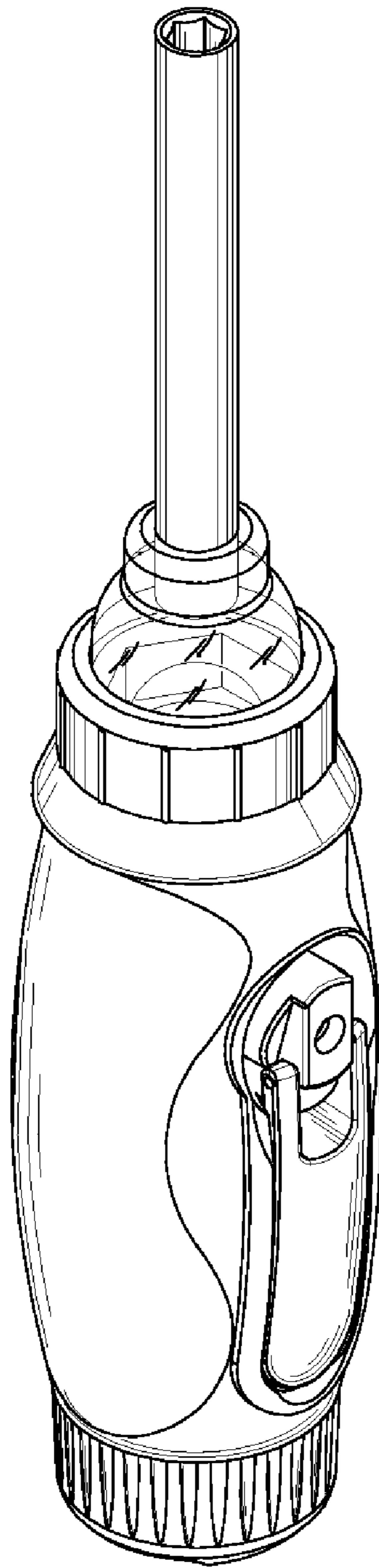


Fig. 1

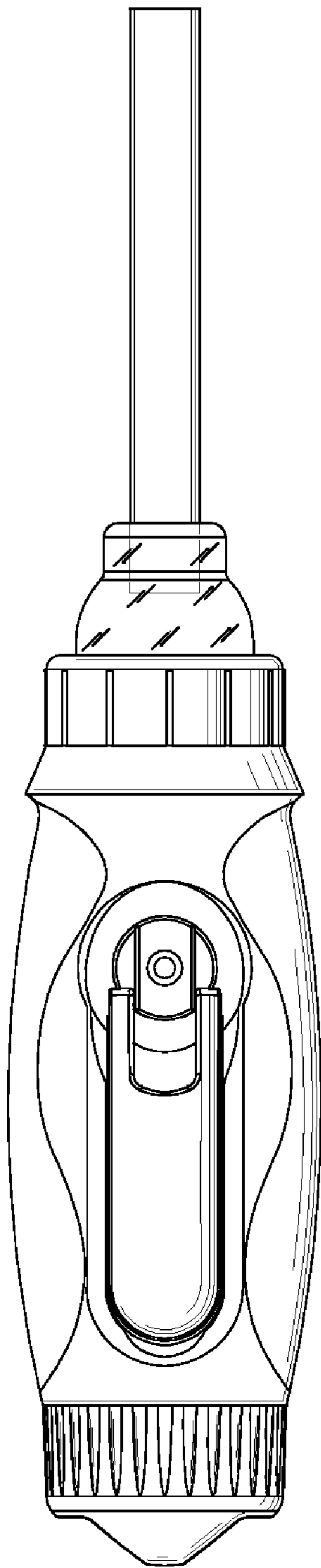


Fig. 2

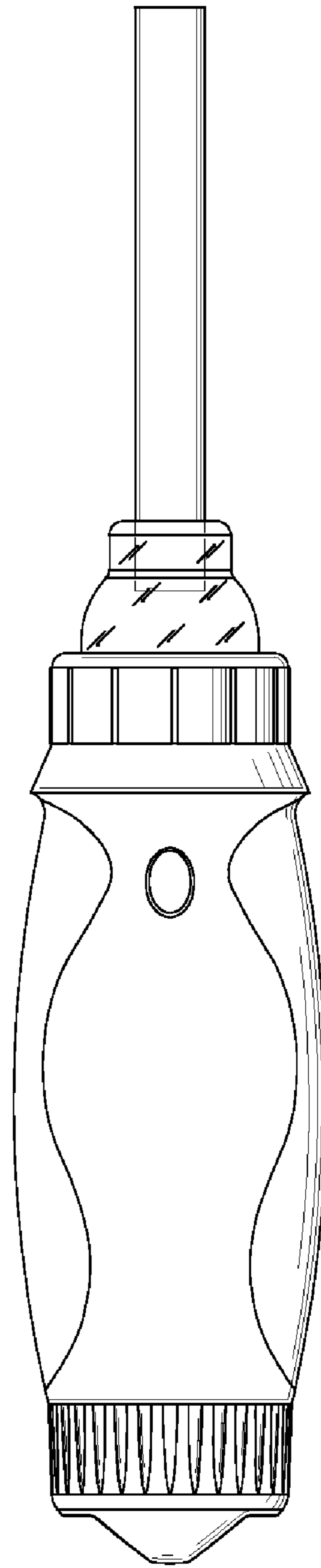


Fig. 3

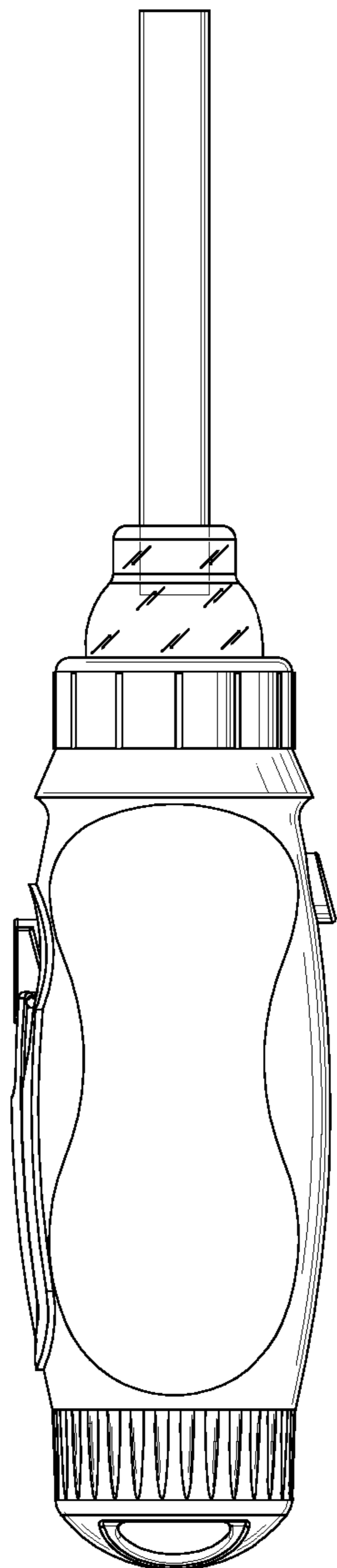


Fig. 4

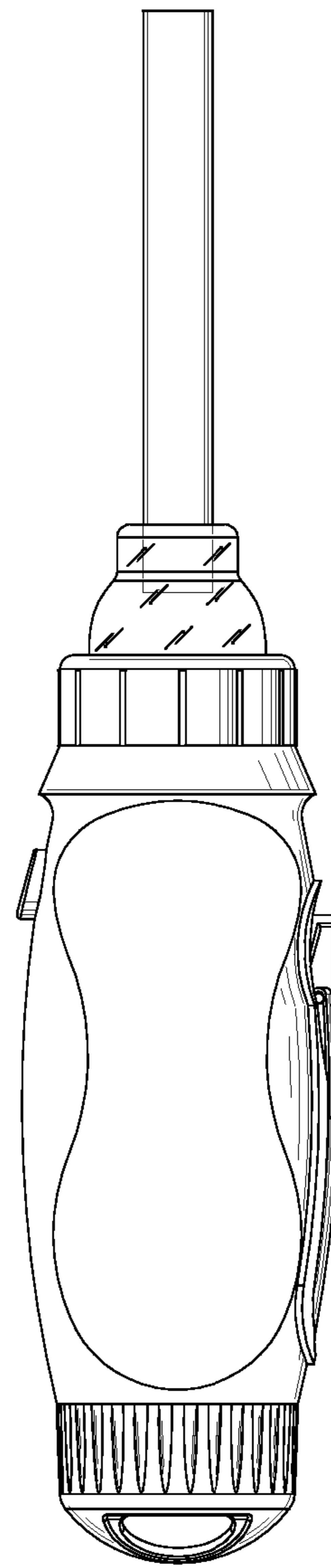


Fig. 5

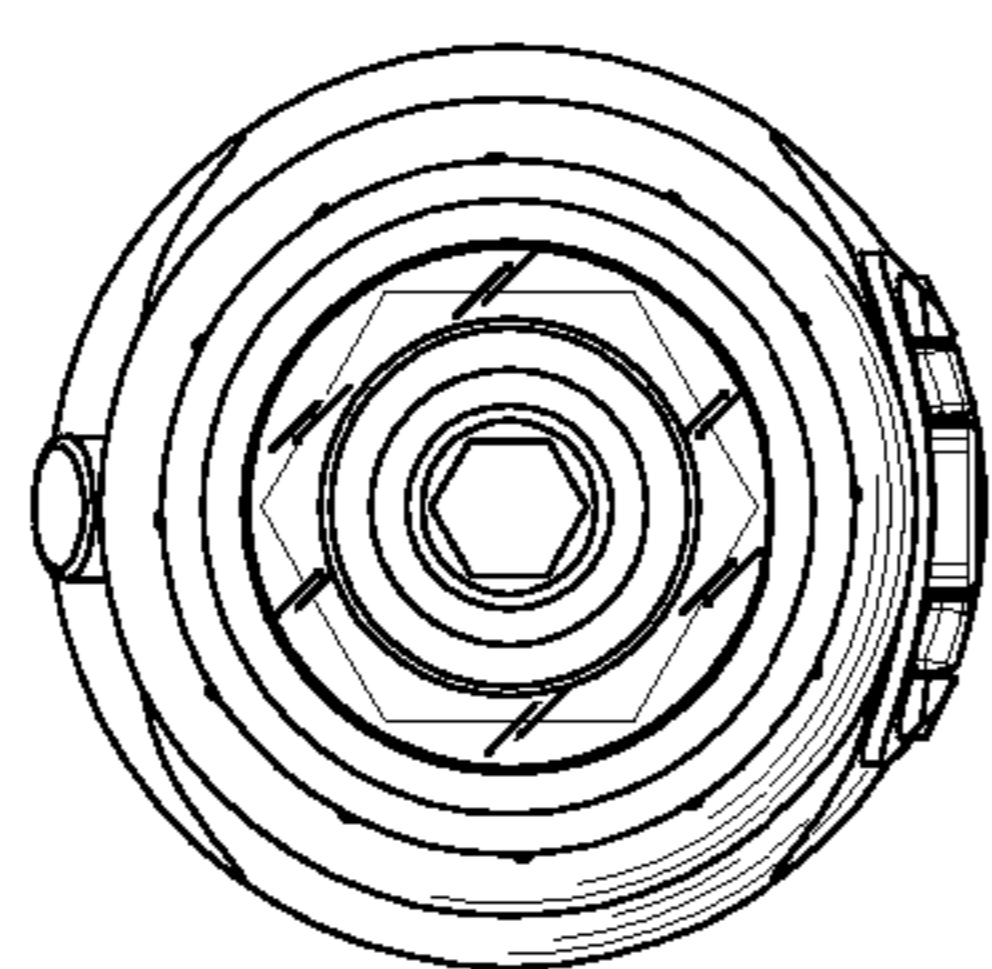


Fig. 6

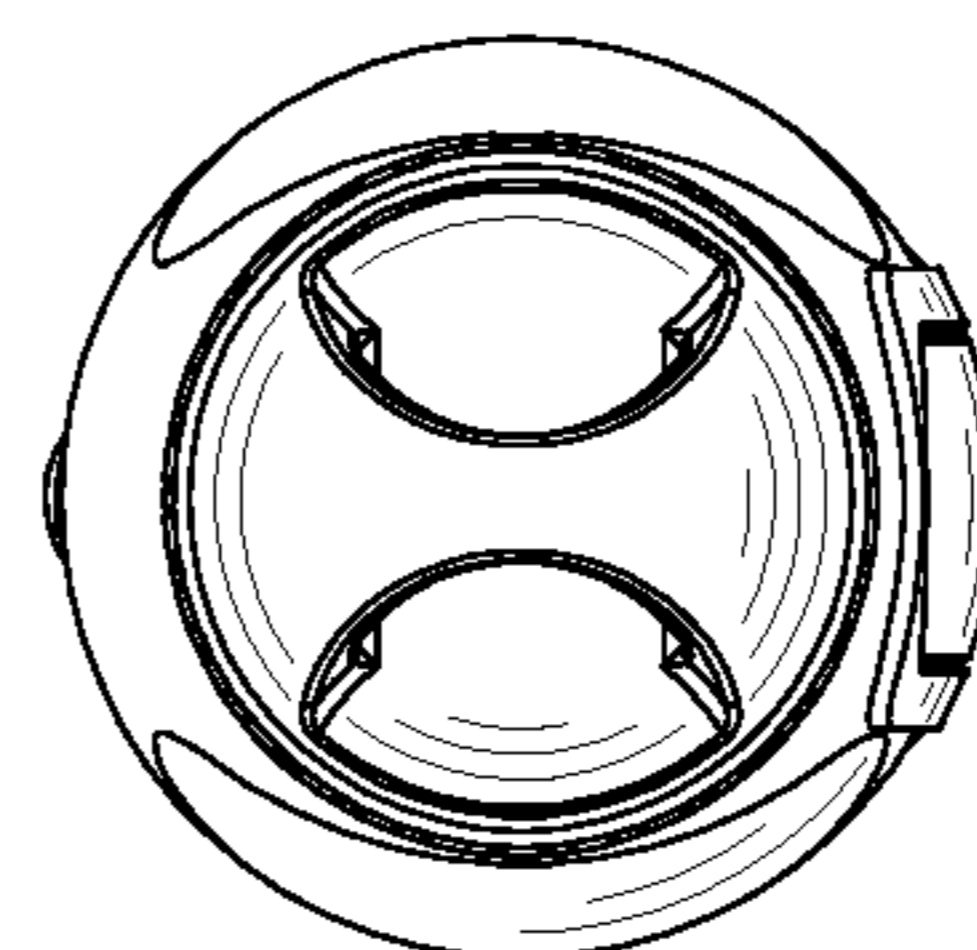


Fig. 7