



US00D557093S

(12) **United States Design Patent** (10) **Patent No.:** **US D557,093 S**
Holt (45) **Date of Patent:** **** Dec. 11, 2007**

(54) **SET OF PORTABLE SHEET METAL BENDING DEVICES**

(76) Inventor: **Ben E. Holt**, 255 Bornt Hill Rd., Endicott, NY (US) 13760

(**) Term: **14 Years**

(21) Appl. No.: **29/219,271**

(22) Filed: **Dec. 16, 2004**

(51) **LOC (8) Cl.** **08-05**

(52) **U.S. Cl.** **D8/51; D8/59**

(58) **Field of Classification Search** D8/51, D8/59; 29/560.1, DIG. 3; 72/149, 154, 72/156, 159, 293, 305, 319, 322, 290.6, 411, 72/415, 454, 457-460, 705; 254/DIG. 8; 269/221, 228, 247

See application file for complete search history.

(56) **References Cited**

U.S. PATENT DOCUMENTS

1,488,559	A *	4/1924	Simokaitis	29/560.1
1,860,171	A *	5/1932	Bynum	72/390.6
2,917,956	A *	12/1959	Merion	72/415
3,559,444	A	2/1971	Blazey et al.		
3,606,786	A *	9/1971	Taylor	72/321
3,621,704	A	11/1971	Schaeffer		
3,662,584	A	5/1972	Jones, Jr. et al.		
4,240,279	A	12/1980	Rhoades		

4,282,735	A	8/1981	Break		
4,356,716	A	11/1982	Aschauer		
4,389,896	A *	6/1983	Babcock	73/784
4,944,176	A	7/1990	Glorieux et al.		
D335,805	S *	5/1993	Ransom	D8/51
5,715,722	A	2/1998	Morley		
6,912,886	B1 *	7/2005	Maes	72/388
7,143,629	B1 *	12/2006	Chiu	72/459

* cited by examiner

Primary Examiner—Alan P. Douglas

Assistant Examiner—Deanna Fluegeman

(74) *Attorney, Agent, or Firm*—Donald R. Schoonover

(57) **CLAIM**

I claim the ornamental design for a set of portable sheet metal bending devices, as shown and described.

DESCRIPTION

FIG. 1 is a perspective view of a set of portable sheet metal bending devices showing my new design;

FIG. 2 is a front elevational view thereof;

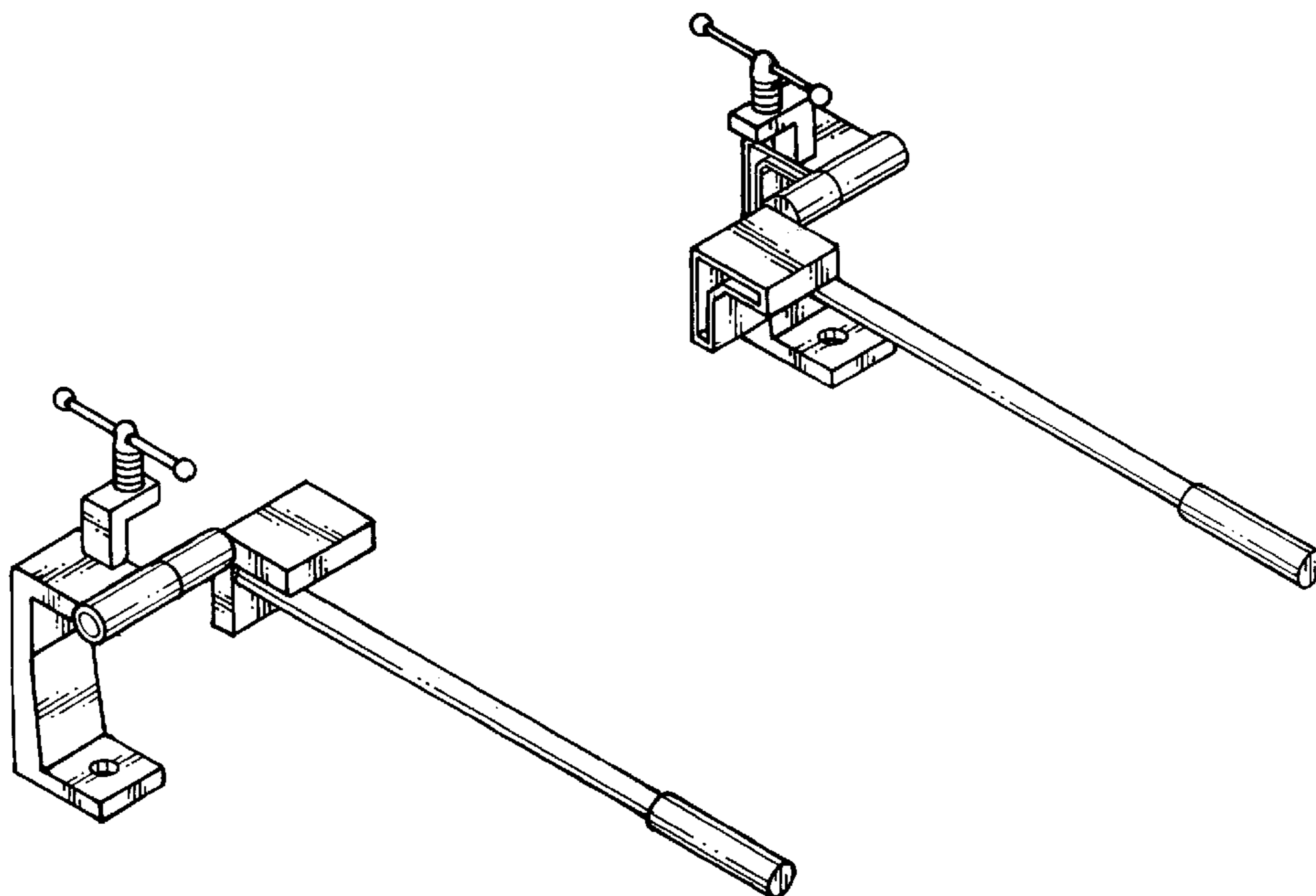
FIG. 3 is a rear elevational view thereof;

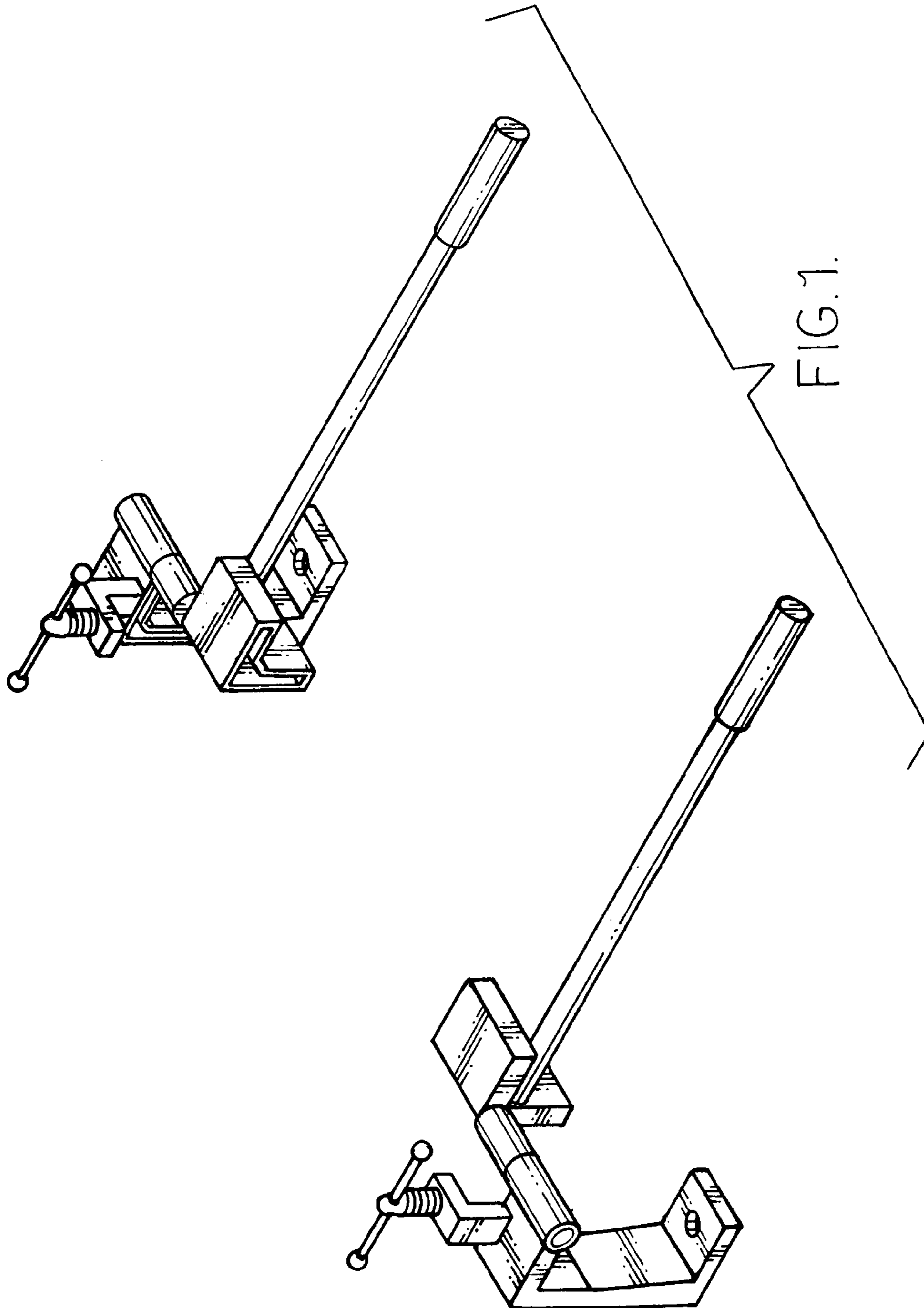
FIG. 4 is a right side elevational view thereof, the left side elevational view being a mirror image thereof;

FIG. 5 is a top plan view thereof; and,

FIG. 6 is a bottom plan view thereof.

1 Claim, 5 Drawing Sheets





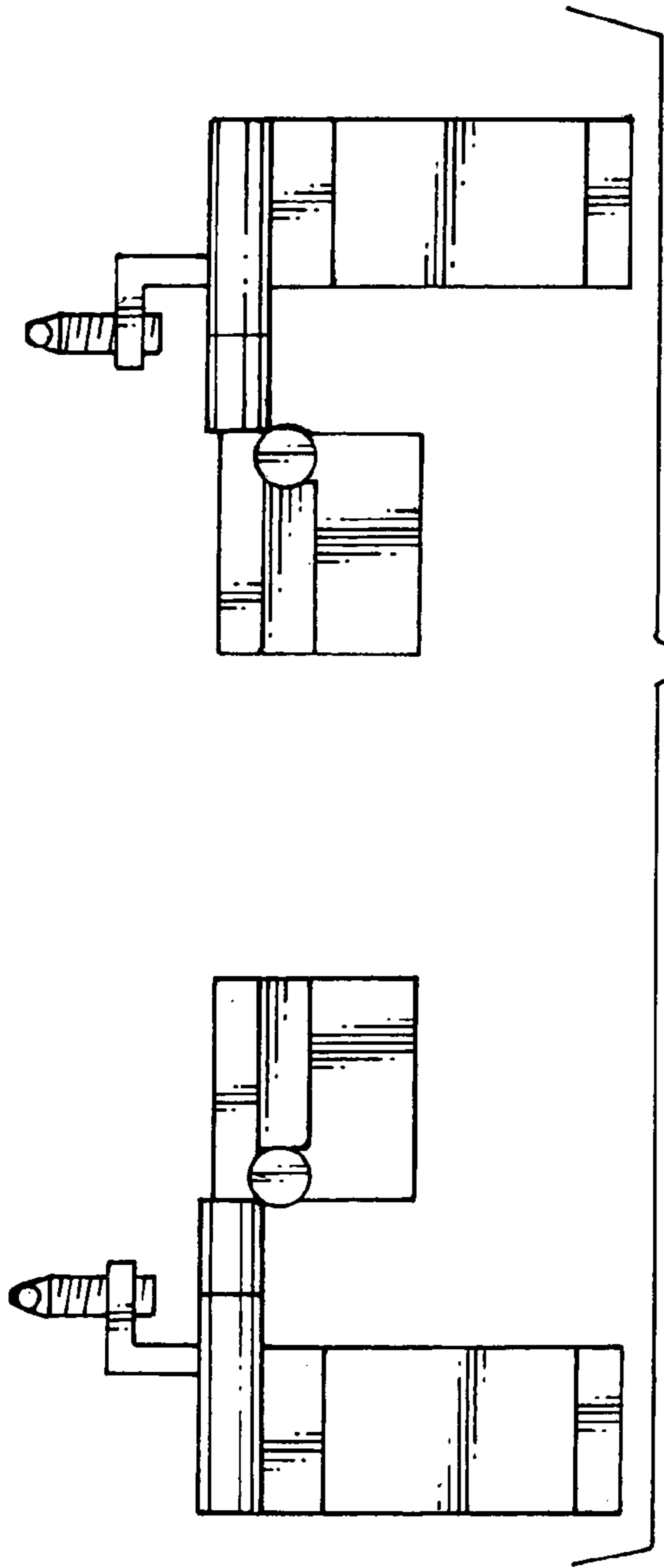


FIG. 2.

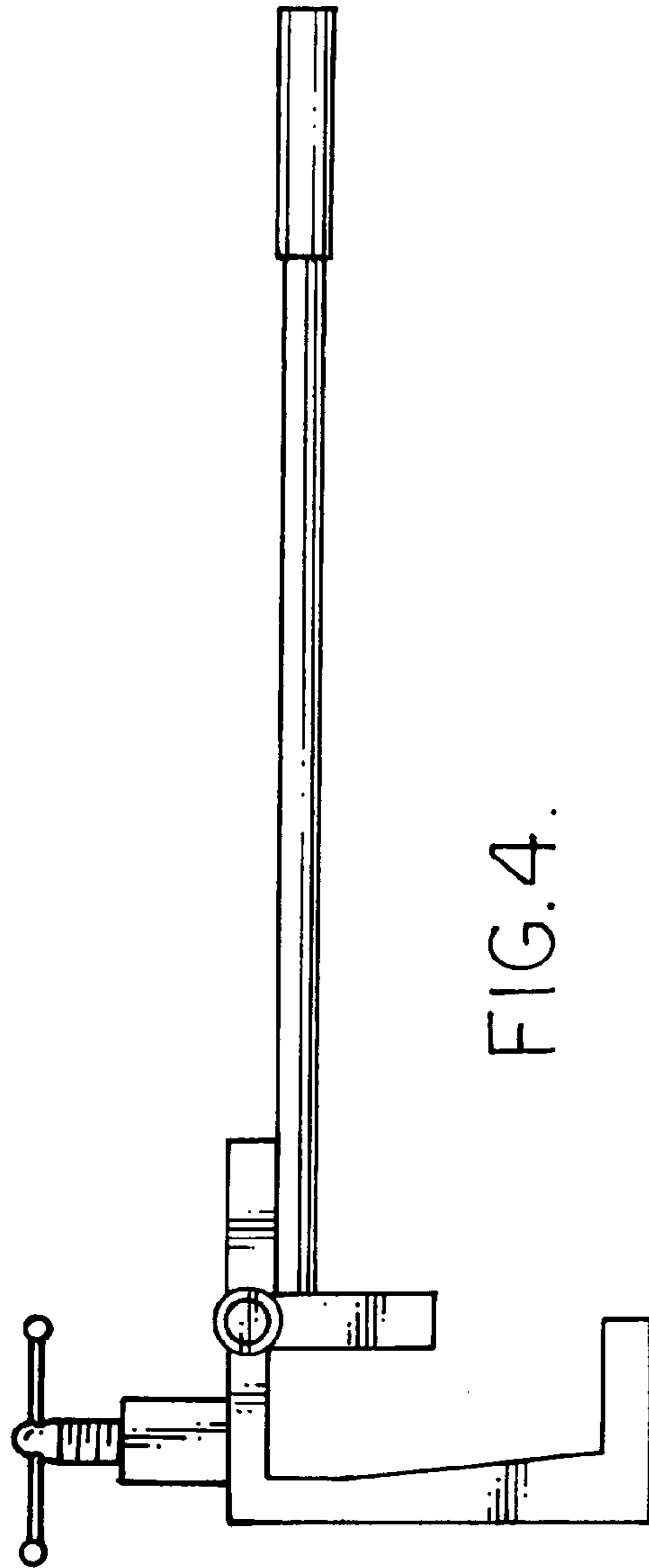


FIG. 4.

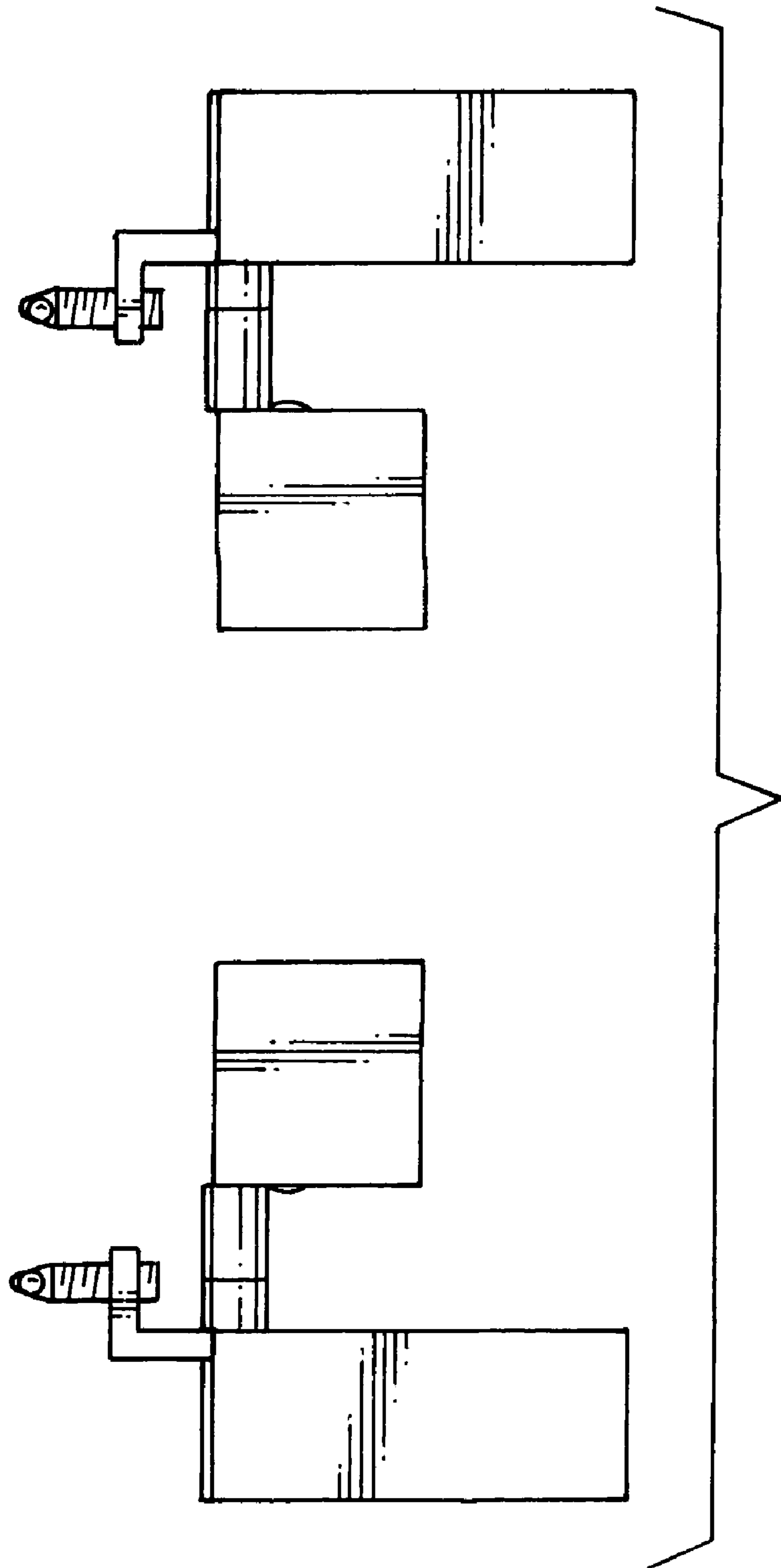


FIG. 3.

FIG. 5.

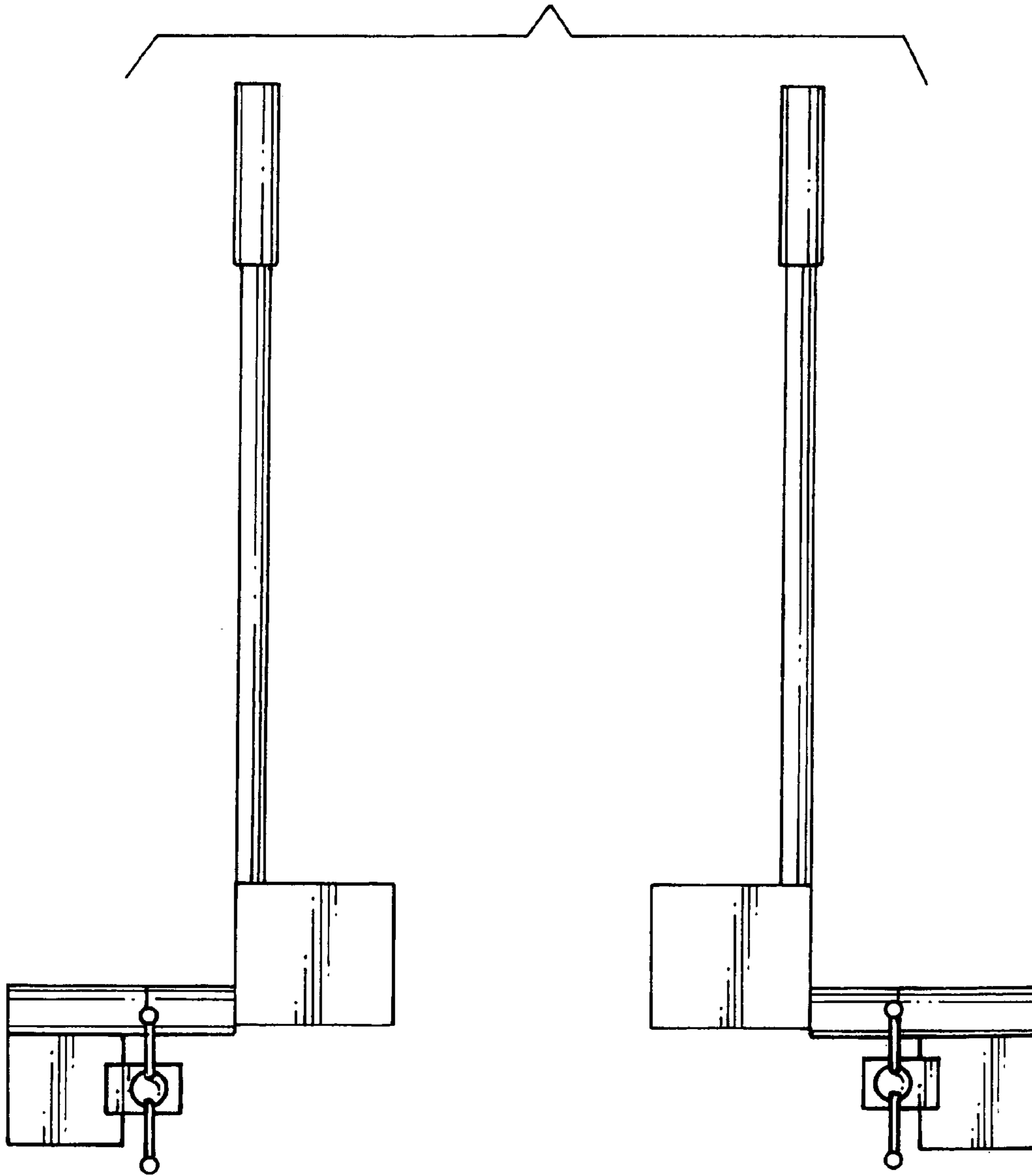


FIG. 6.

