



US00D557092S

(12) **United States Design Patent**
Harris et al.

(10) **Patent No.:** **US D557,092 S**

(45) **Date of Patent:** **** Dec. 11, 2007**

(54) **STAPLER**

(75) Inventors: **Mark Harris**, McHenry, IL (US);
Bikramjeet S. Sohi, Buffalo Grove, IL
(US); **Roland Sudmalis**, Chicago, IL
(US); **Tong Jin Kim**, Evanston, IL (US)

(73) Assignee: **ACCO Brands USA LLC**,
Lincolnshire, IL (US)

(**) Term: **14 Years**

(21) Appl. No.: **29/248,150**

(22) Filed: **Jul. 31, 2006**

(51) **LOC (8) Cl.** **08-01**

(52) **U.S. Cl.** **D8/50**

(58) **Field of Classification Search** D8/49,
D8/50, 61; D19/72; 227/120, 127, 128,
227/131, 132, 134, 156

See application file for complete search history.

(56) **References Cited**

U.S. PATENT DOCUMENTS

4,463,890	A *	8/1984	Ruskin	227/132
D305,398	S	1/1990	Olesen		
D331,178	S	11/1992	Bain et al.		
D340,847	S	11/1993	Bain et al.		
D420,266	S	2/2000	Berry et al.		
D436,009	S *	1/2001	Chi Kuo	D8/50
D446,430	S *	8/2001	Arns	D8/50
D447,676	S	9/2001	Wilson et al.		
D470,025	S	2/2003	Joss et al.		
D472,437	S *	4/2003	Scola et al.	D8/50
D502,850	S	3/2005	Sauter et al.		
D502,851	S	3/2005	Sauter et al.		
D503,877	S	4/2005	Adams et al.		
6,918,525	B2	7/2005	Marks		
D511,283	S	11/2005	Sauter et al.		
D511,665	S	11/2005	Sauter et al.		
D512,617	S	12/2005	Adams et al.		
D514,904	S	2/2006	Sauter et al.		
D515,893	S	2/2006	Adams et al.		
D530,578	S *	10/2006	Sauter et al.	D8/50
D531,470	S *	11/2006	Kirby et al.	D8/50

2003/0155398	A1 *	8/2003	Jairam et al.	227/109
2005/0223498	A1 *	10/2005	Kirby et al.	7/160
2005/0224555	A1 *	10/2005	Kirby et al.	227/134
2006/0016847	A1 *	1/2006	Kirby et al.	227/134
2006/0144891	A1 *	7/2006	Adams	227/131
2006/0144894	A1 *	7/2006	Kirby et al.	227/134
2006/0144895	A1 *	7/2006	Kirby et al.	227/134

OTHER PUBLICATIONS

ACCO Brands Inc., Fact Book 2005, Feb. 1, 2005, pp. 106-112.
NOVUS website, http://www.novus-buero.de/Novus_B_7.101.0html?&L=1&print=1&no_cache=1, accessed Jul. 10, 2006, 2 pages.

* cited by examiner

Primary Examiner—Cathron C. Brooks

Assistant Examiner—Austin Murphy

(74) *Attorney, Agent, or Firm*—Michael Best & Friedrich LLP

(57) **CLAIM**

We claim the ornamental design for a stapler, as shown and described.

DESCRIPTION

FIG. 1 is a right-side perspective view, taken from the front, of a stapler embodying the present invention.

FIG. 2 is a left-side perspective view taken from the front of the stapler.

FIG. 3 is a right-side perspective view taken from the rear of the stapler.

FIG. 4 is a right side view of the stapler.

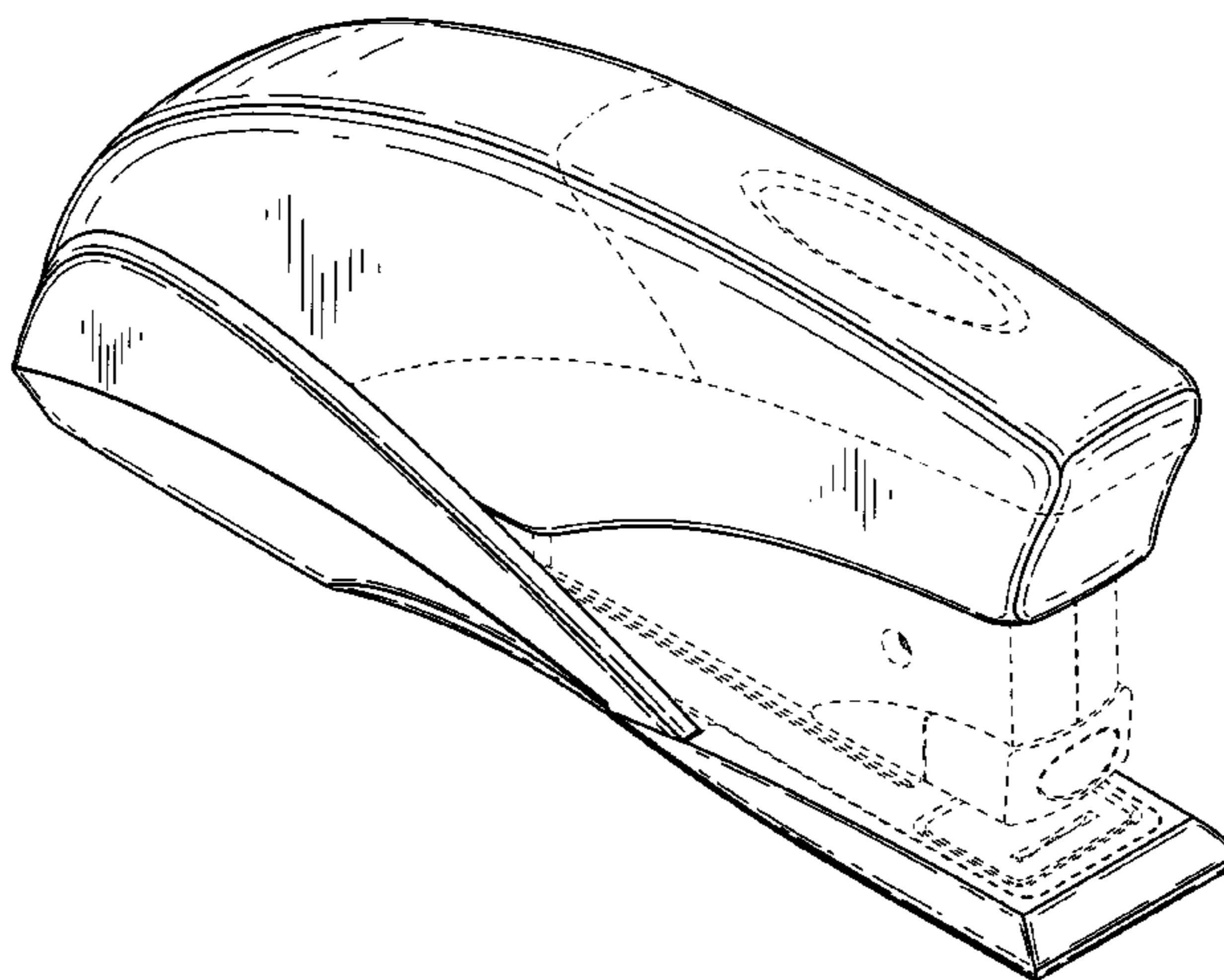
FIG. 5 is a rear view of the stapler.

FIG. 6 is a top view of the stapler; and,

FIG. 7 is a front view of the stapler.

The portions of the stapler shown in broken lines illustrate portions of the stapler that form no part of the claimed design. The view opposite FIG. 4 is a mirror image of FIG. 4 and is not shown.

1 Claim, 4 Drawing Sheets



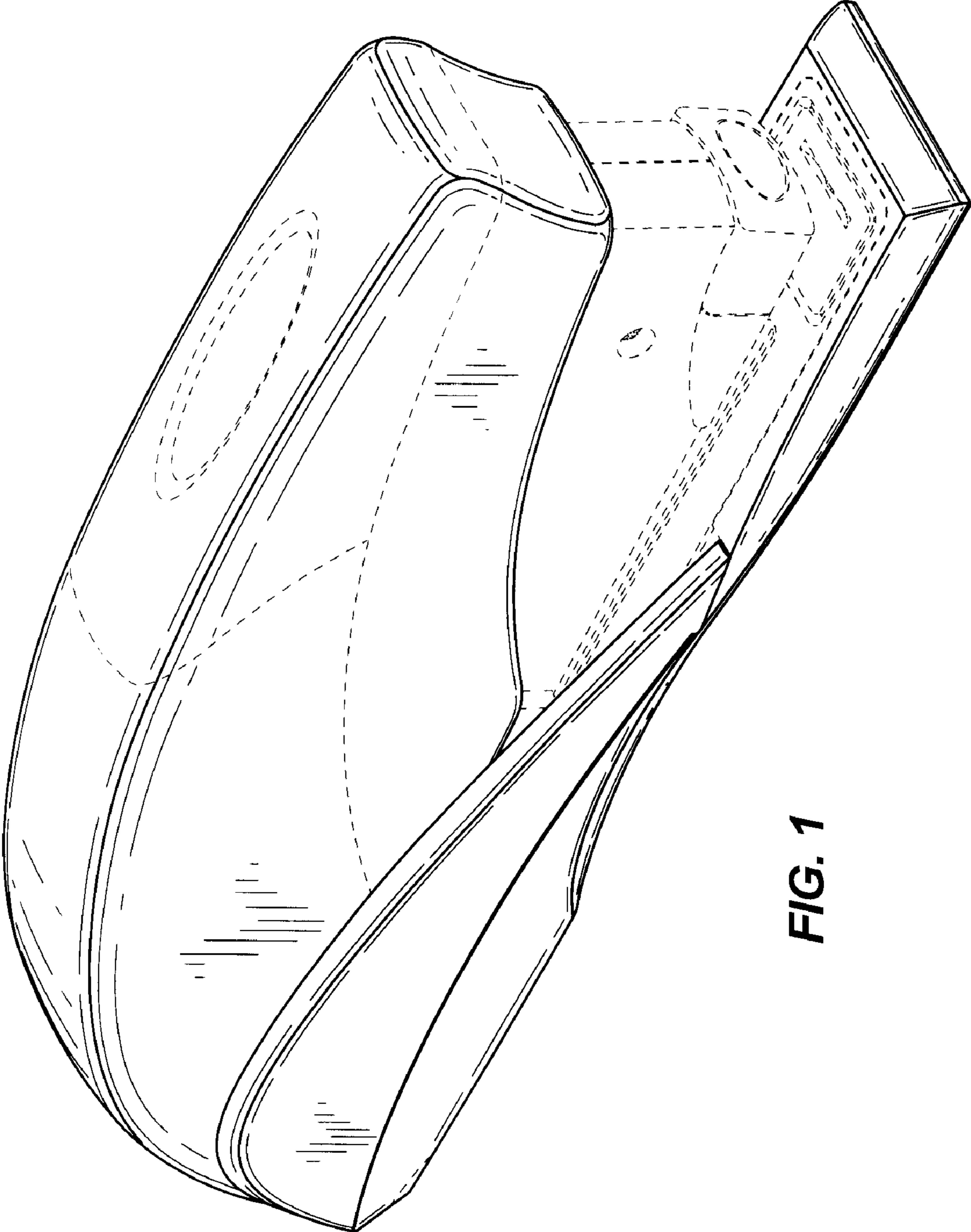


FIG. 1

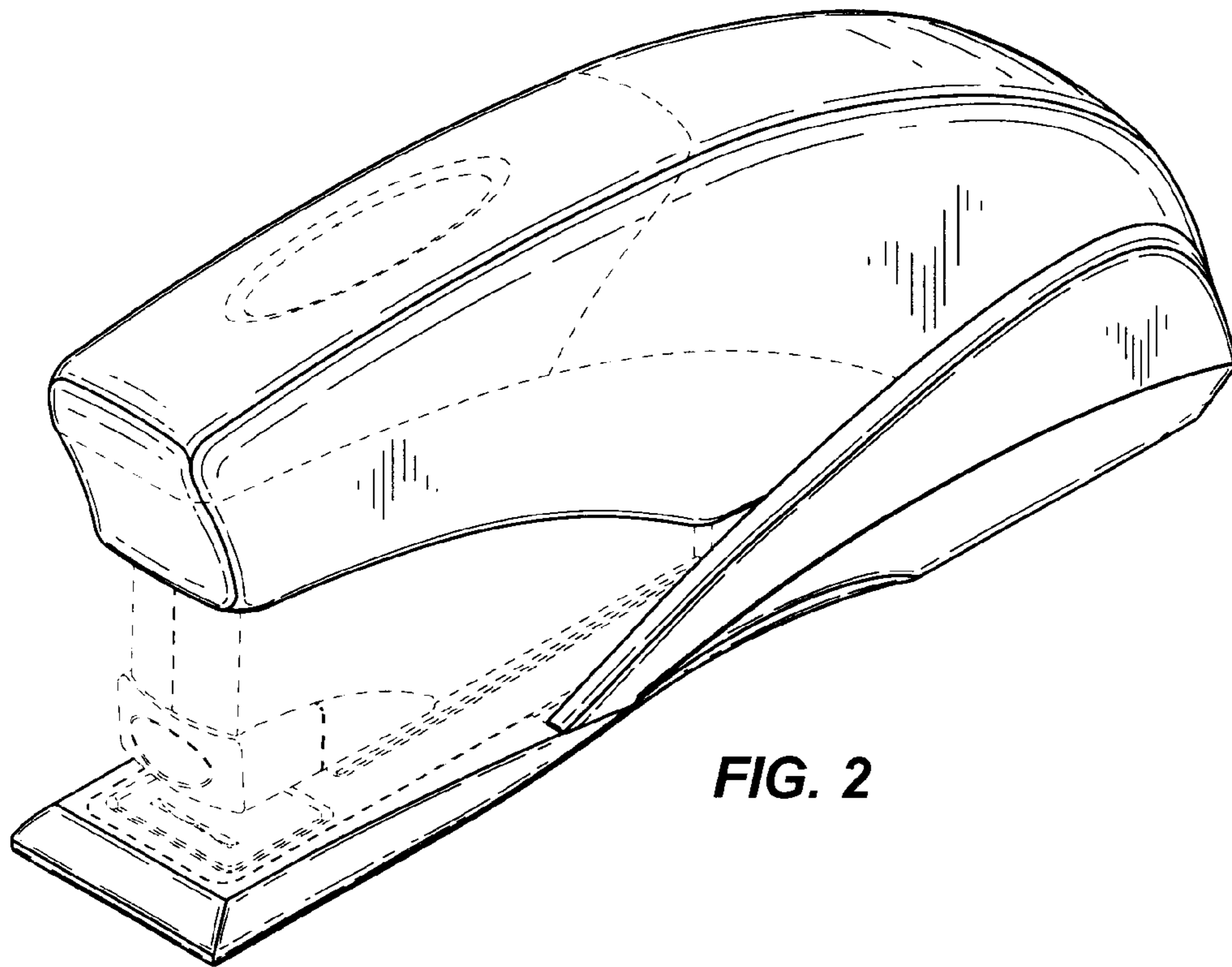


FIG. 2

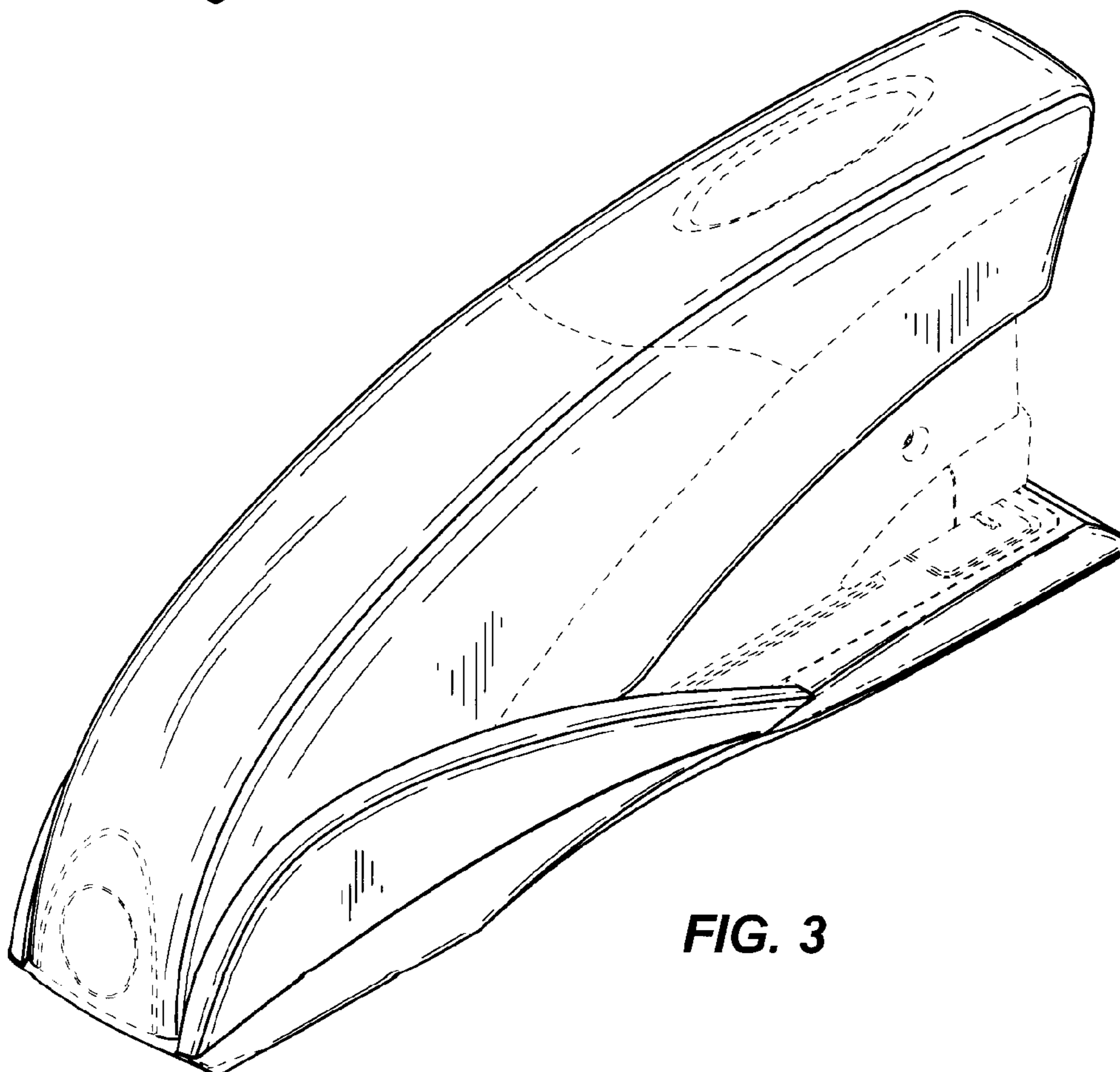


FIG. 3



FIG. 4

FIG. 5

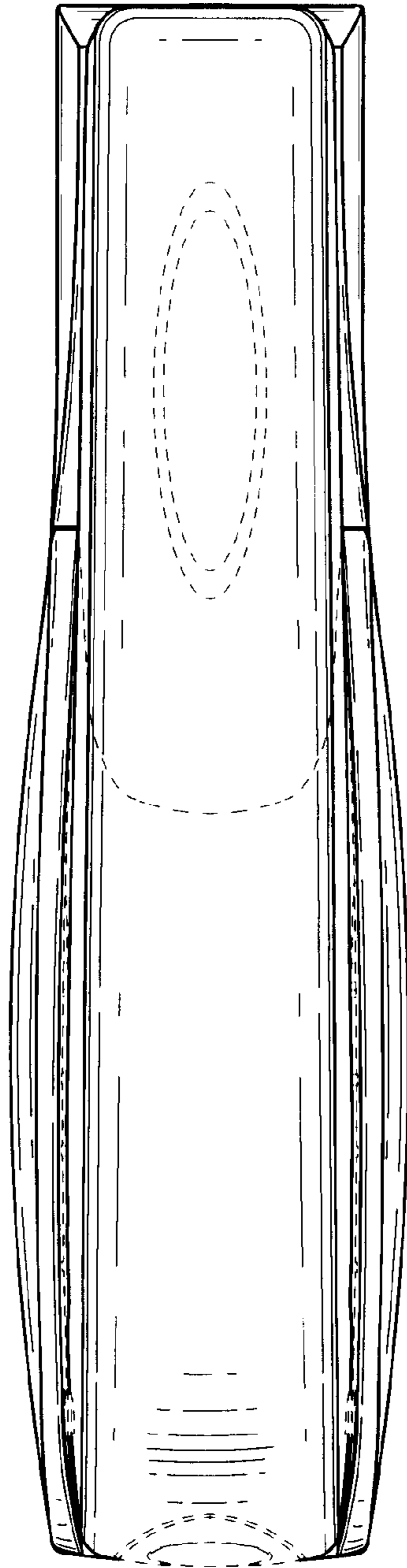


FIG. 6

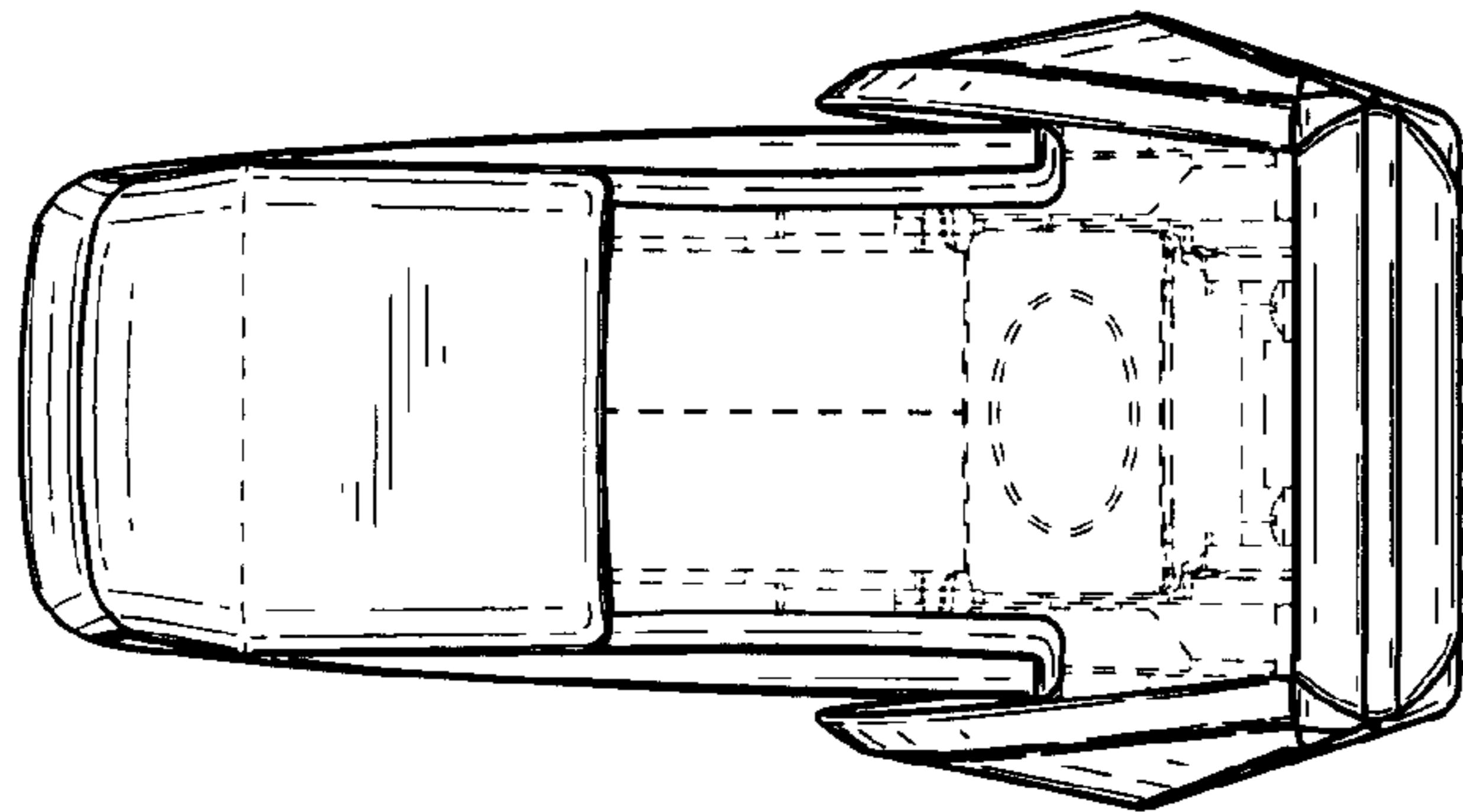


FIG. 7