



US00D557091S

(12) **United States Design Patent**  
**Vitale**

(10) **Patent No.:** **US D557,091 S**

(45) **Date of Patent:** **\*\* Dec. 11, 2007**

(54) **POP TAB REMOVER**

D497,782 S \* 11/2004 Thiede ..... D7/666  
D532,273 S \* 11/2006 Yoson ..... D8/88

(76) Inventor: **Laura L. Vitale**, 1511 Gedern Dr.,  
Columbia, IL (US) 62236

\* cited by examiner

(\*\*) Term: **14 Years**

*Primary Examiner*—Robert M. Spear  
*Assistant Examiner*—Garth Rademaker

(21) Appl. No.: **29/260,614**

(74) *Attorney, Agent, or Firm*—Kevin L. Klug

(22) Filed: **May 26, 2006**

(57) **CLAIM**

(51) **LOC (8) Cl.** ..... **07-99**

The ornamental design for a pop tab remover, as shown.

(52) **U.S. Cl.** ..... **D8/39; D8/52**

(58) **Field of Classification Search** ..... D7/666;

**DESCRIPTION**

D8/16-19, 33-43, 52, 88, 105; 7/113, 151-156;  
81/3.07, 3.09, 3.27, 3.4, 3.55

FIG. 1 is a front perspective view of a pop tab remover showing my new design.

See application file for complete search history.

FIG. 2 is a left side elevation view thereof.

(56) **References Cited**

FIG. 3 is a right side elevation view thereof.

**U.S. PATENT DOCUMENTS**

FIG. 4 is a front elevation view thereof.

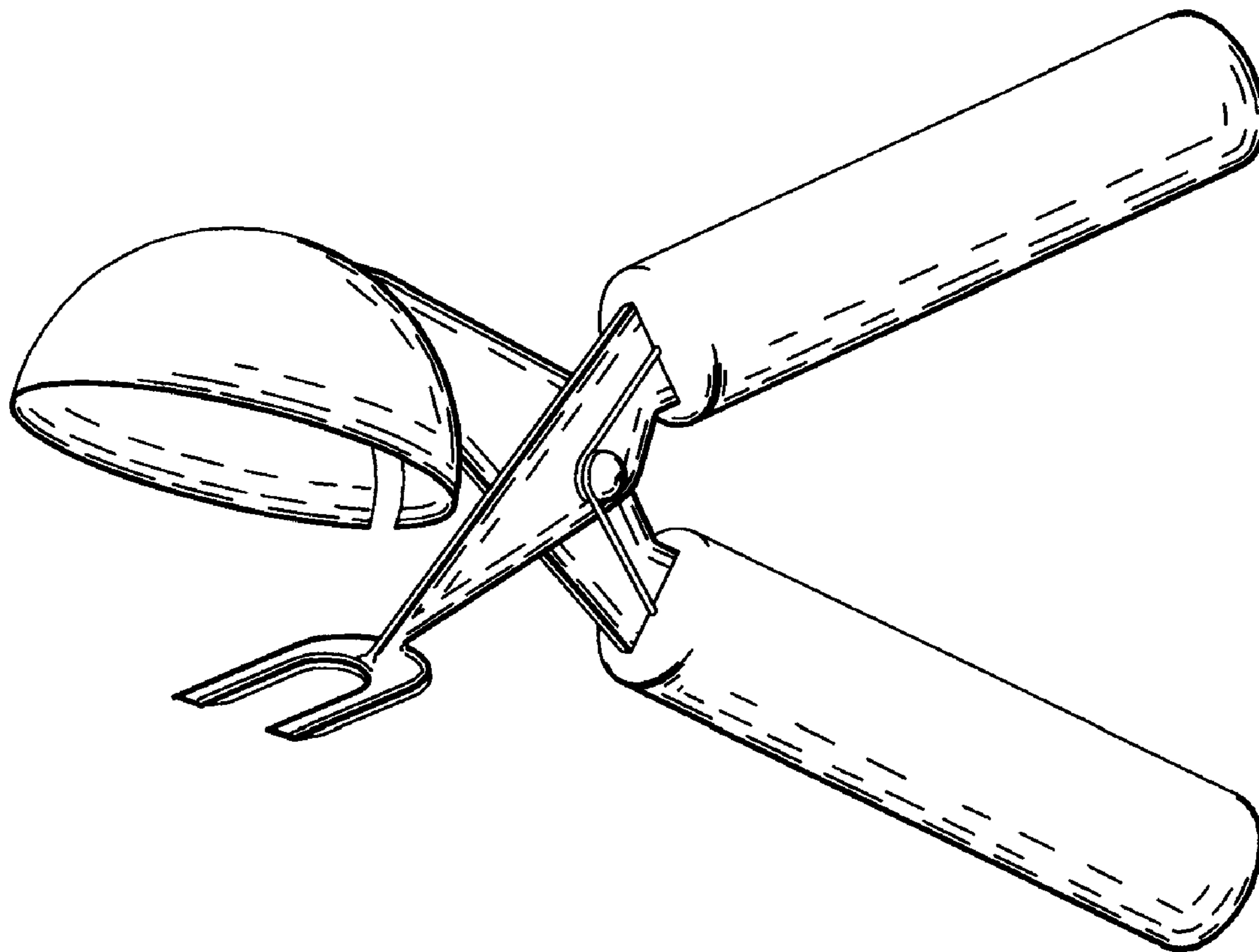
436,818	A	*	9/1890	Wiatt et al.	.....	425/318
1,248,923	A	*	12/1917	Ryczek	.....	81/3.36
D196,381	S	*	9/1963	Basilotta	.....	D7/693
D323,772	S	*	2/1992	Sage	.....	D8/52
D342,002	S	*	12/1993	Sage	.....	D8/52
5,826,502	A	*	10/1998	Wade	.....	D7/666

FIG. 5 is a rear elevation view thereof.

FIG. 6 is a top plan view thereof; and,

FIG. 7 is a bottom plan view thereof.

**1 Claim, 7 Drawing Sheets**



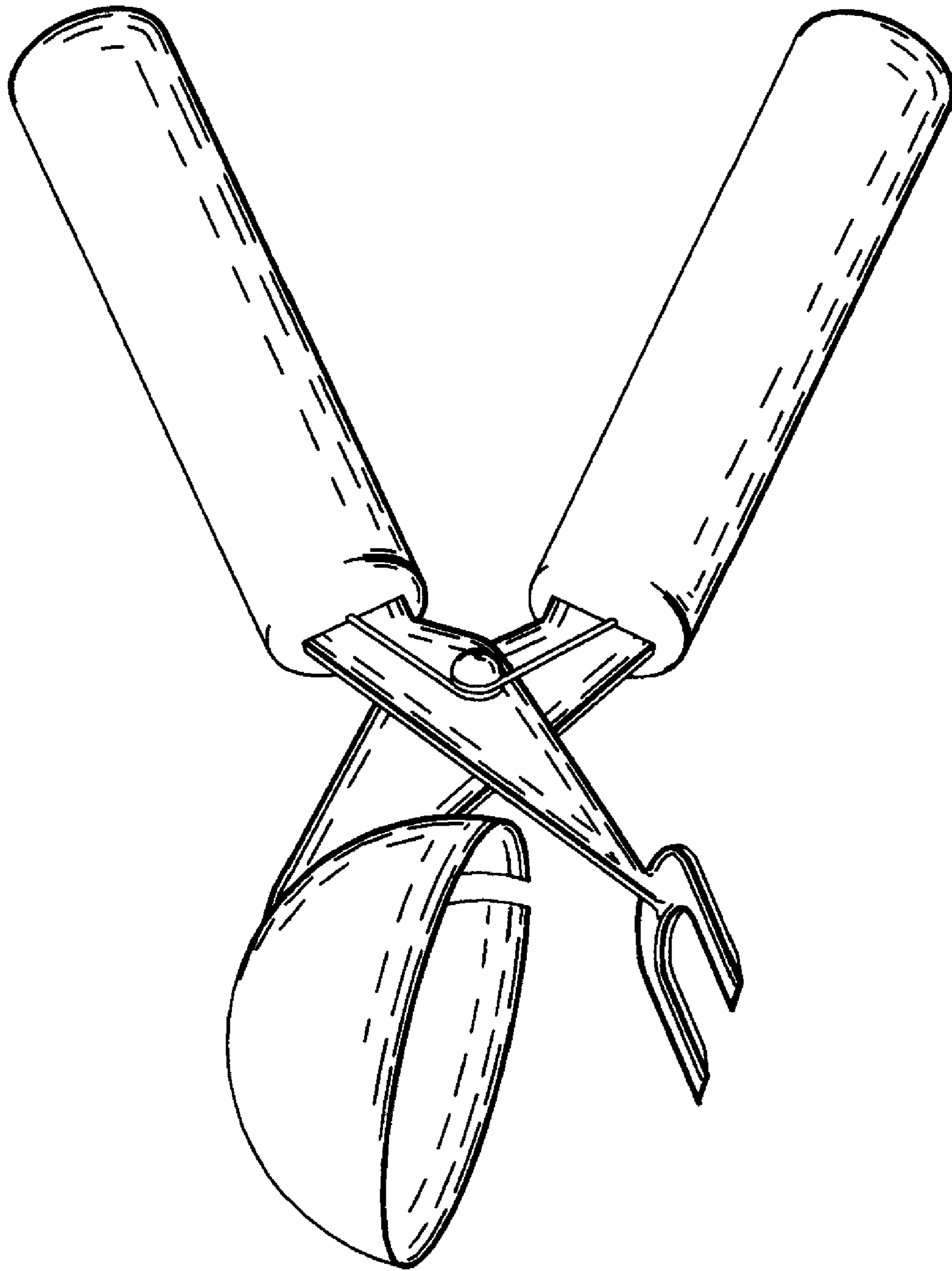


FIG. 1

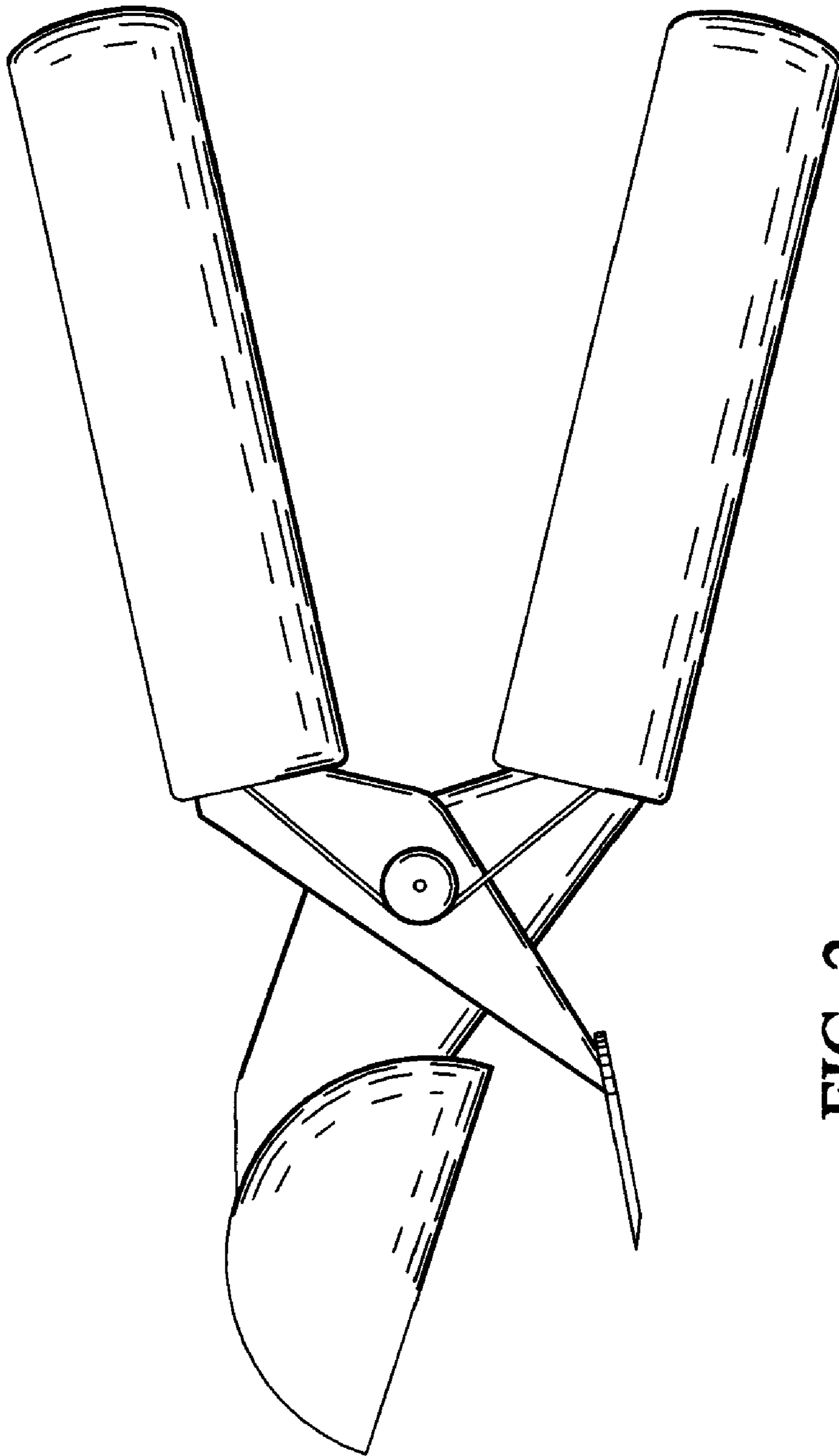


FIG. 2

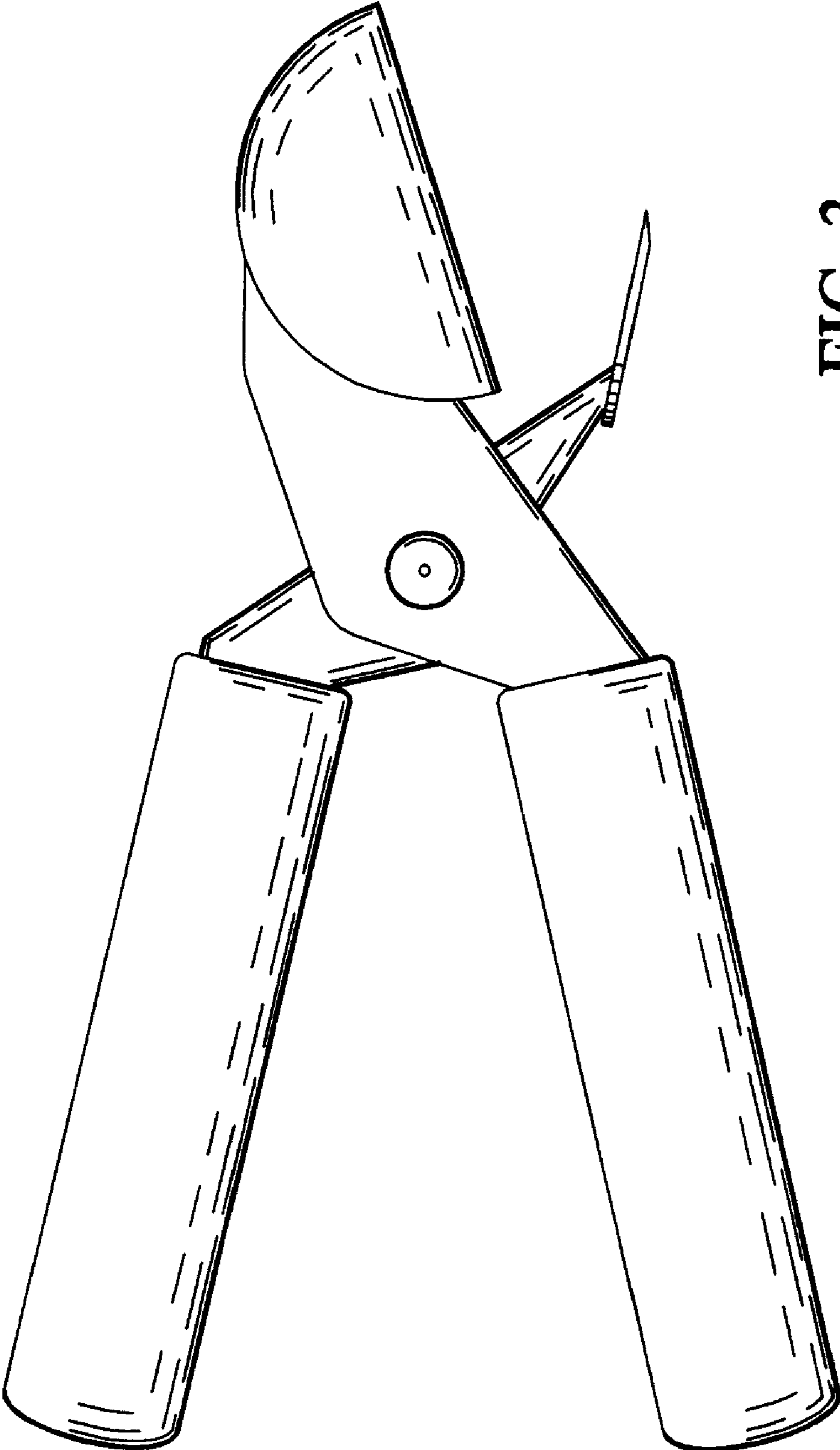


FIG. 3

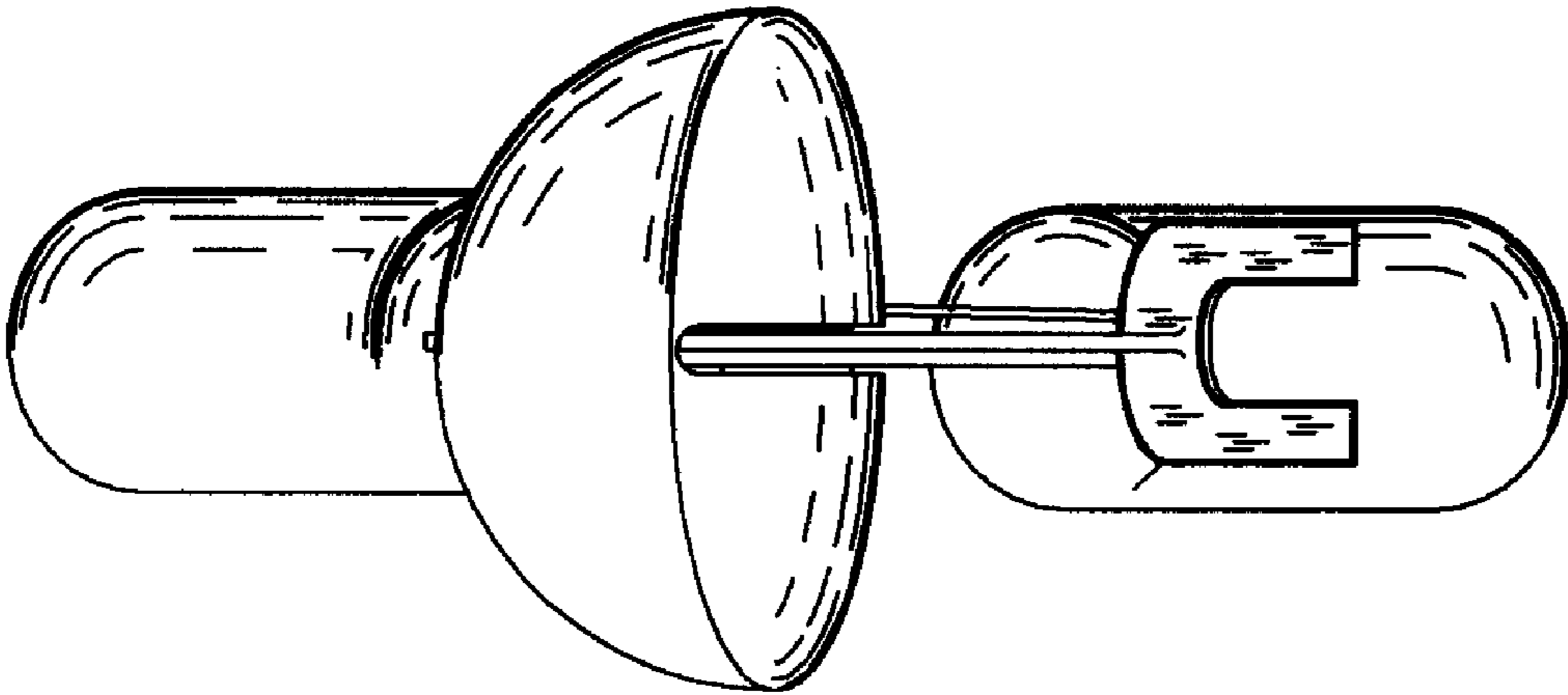


FIG. 4

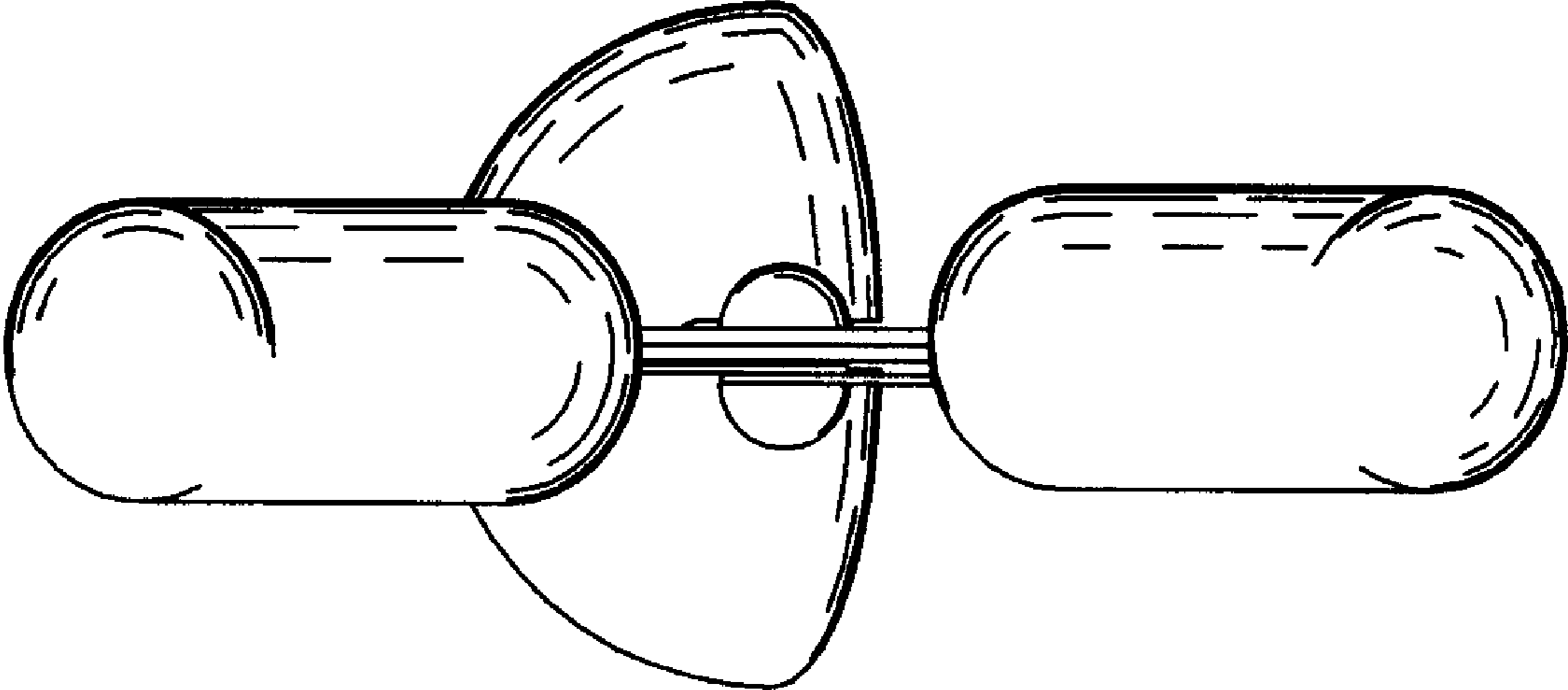


FIG. 5

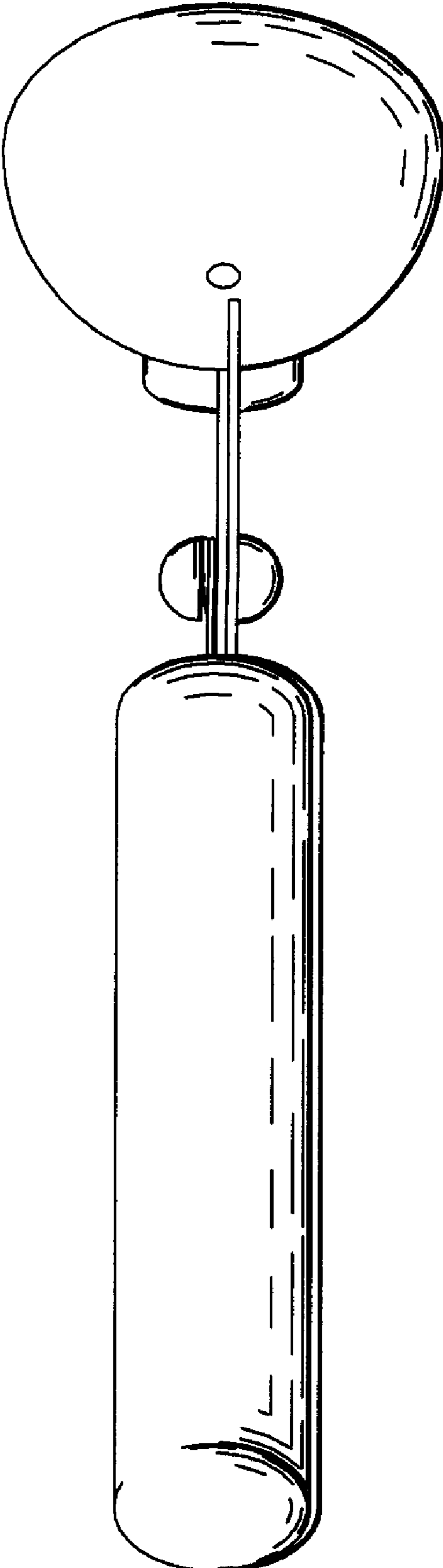


FIG. 6

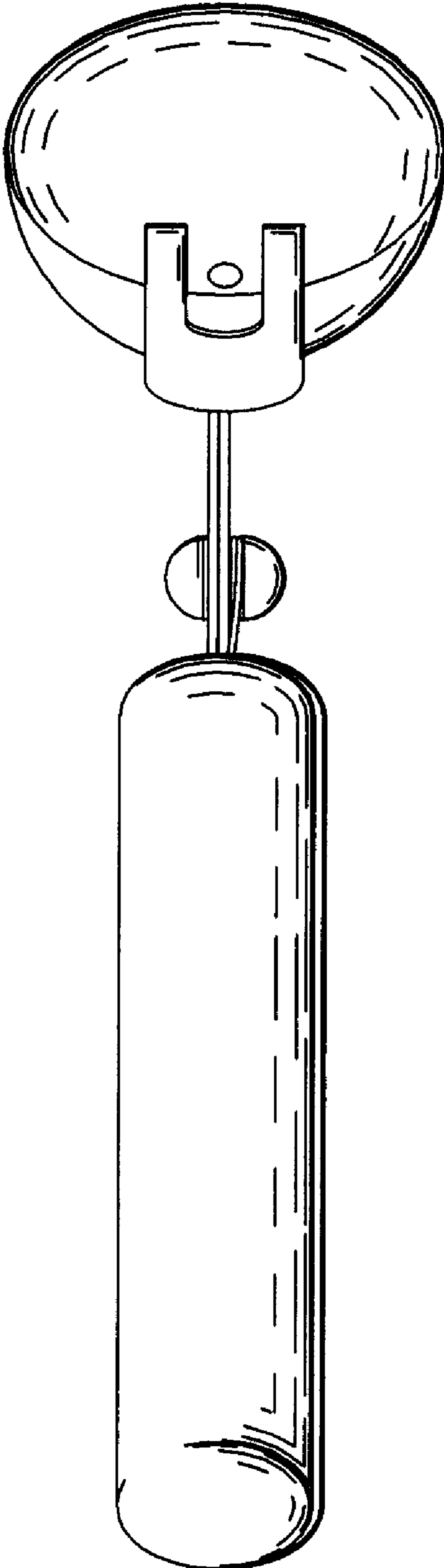


FIG. 7