



US00D557088S

(12) **United States Design Patent**
Morgan

(10) **Patent No.:** **US D557,088 S**

(45) **Date of Patent:** **** Dec. 11, 2007**

(54) **BOTTLE VALVE WRENCH**

(76) Inventor: **Louis A. Morgan**, 805 Rancho Estates Blvd., Yukon, OK (US) 73099

(**) Term: **14 Years**

(21) Appl. No.: **29/252,699**

(22) Filed: **Jan. 26, 2006**

(51) **LOC (8) Cl.** **08-05**

(52) **U.S. Cl.** **D8/29**

(58) **Field of Classification Search** D8/17,
D8/21-29, 105, 107, 52, 55; 81/124.2, 125,
81/125.1, 176.1, 176.2, 177.1, 177.2, 177.3,
81/177.85, 124.3, 124.7, 176.3, 58.3, 300,
81/58.1, 60, 63.1, 121.7, 436, 437, 165, 418,
81/166, 168, 169, 170, 179, 160, 3.57, 3.55,
81/58.4, 186; 140/119; 16/422, 429
See application file for complete search history.

(56) **References Cited**

U.S. PATENT DOCUMENTS

- 1,456,290 A * 5/1923 Tell 81/165
- 1,636,370 A * 7/1927 Johnson 251/291
- D195,736 S * 7/1963 McManus D8/29
- 3,779,104 A 12/1973 Curry
- D274,881 S * 7/1984 Wilsey D8/29
- 4,532,835 A * 8/1985 Schwitters 81/128
- 4,542,666 A * 9/1985 White 81/176.1
- 4,562,758 A 1/1986 Stirling
- D314,904 S 2/1991 Trinkwalder, Jr.
- D366,996 S * 2/1996 Torres D8/29

- 5,862,721 A 1/1999 Kowats
- D426,438 S * 6/2000 Ciok D8/29
- 6,101,904 A * 8/2000 Freitas 81/121.1

* cited by examiner

Primary Examiner—Raphael Barkai
Assistant Examiner—Randall H Gholson
(74) *Attorney, Agent, or Firm*—Randal D. Homburg

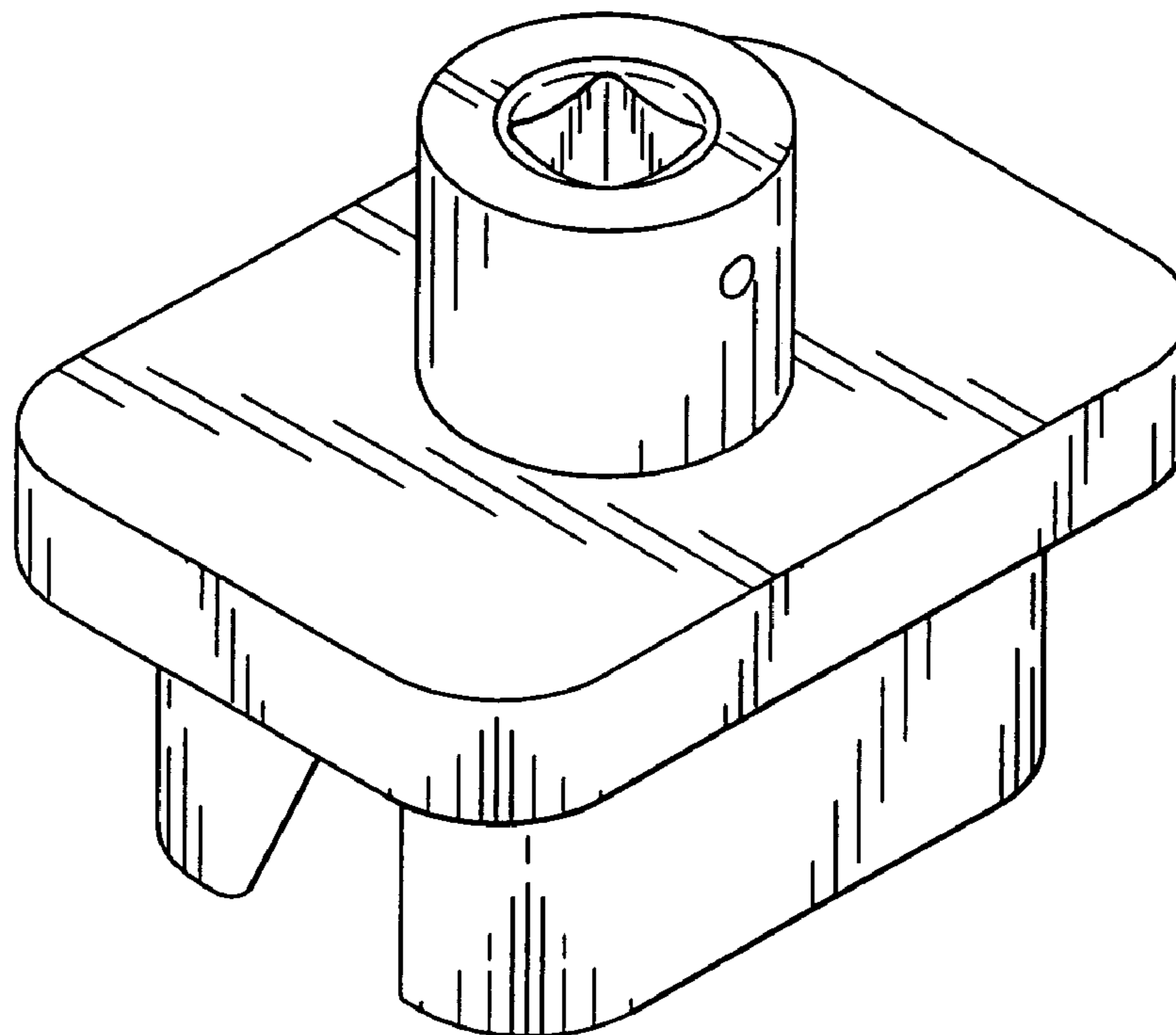
(57) **CLAIM**

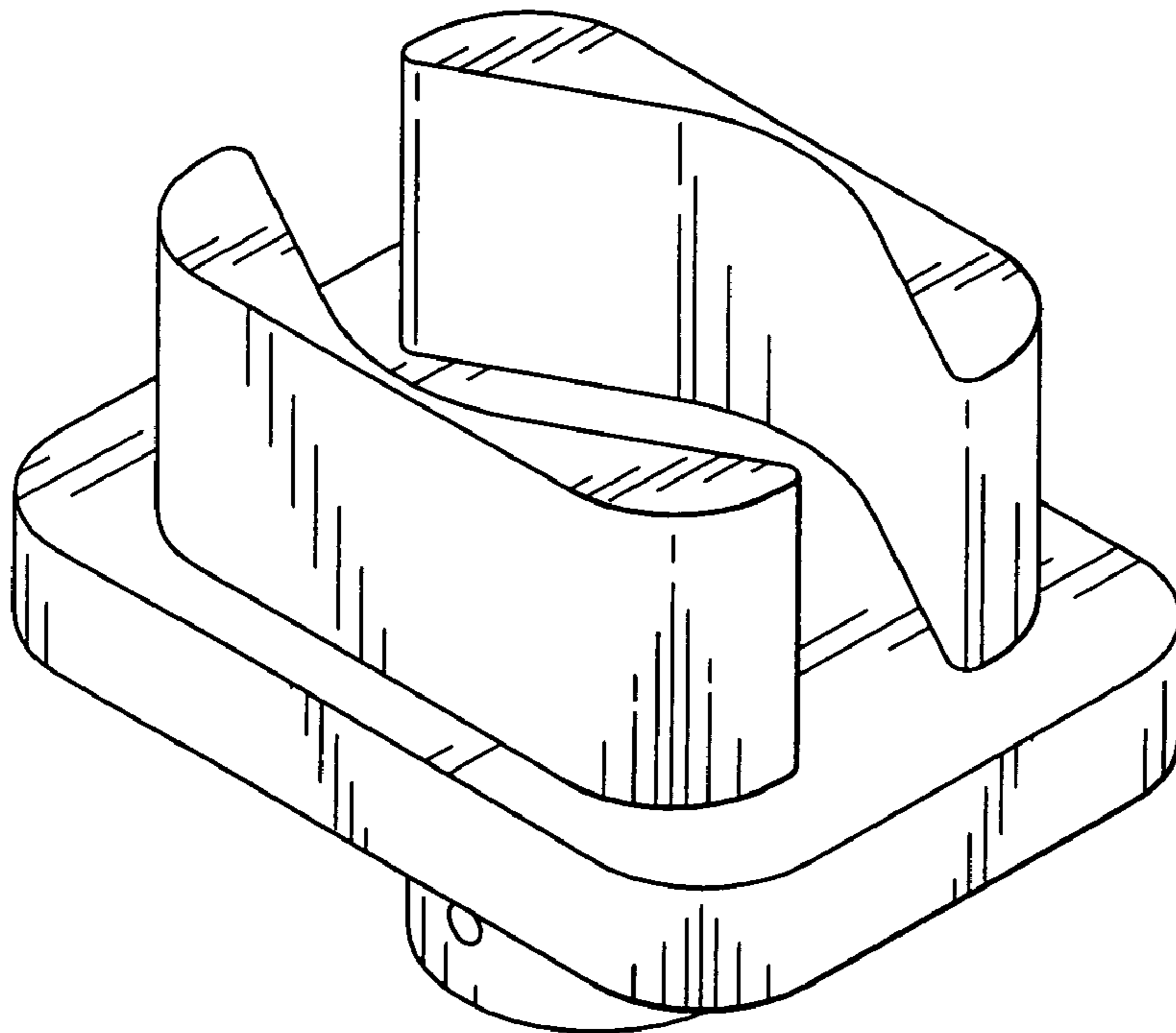
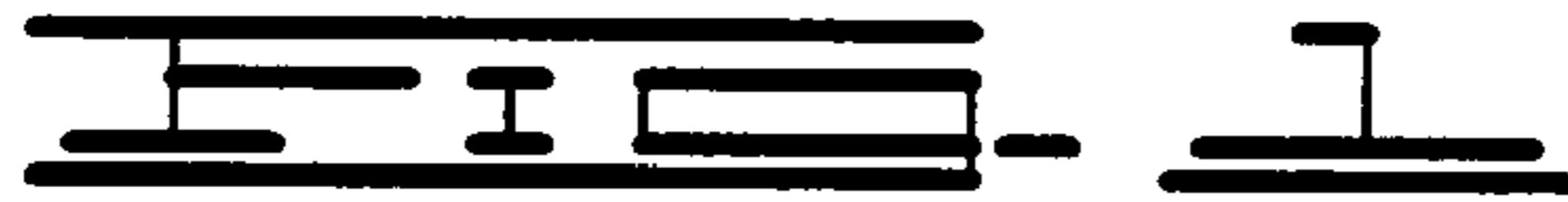
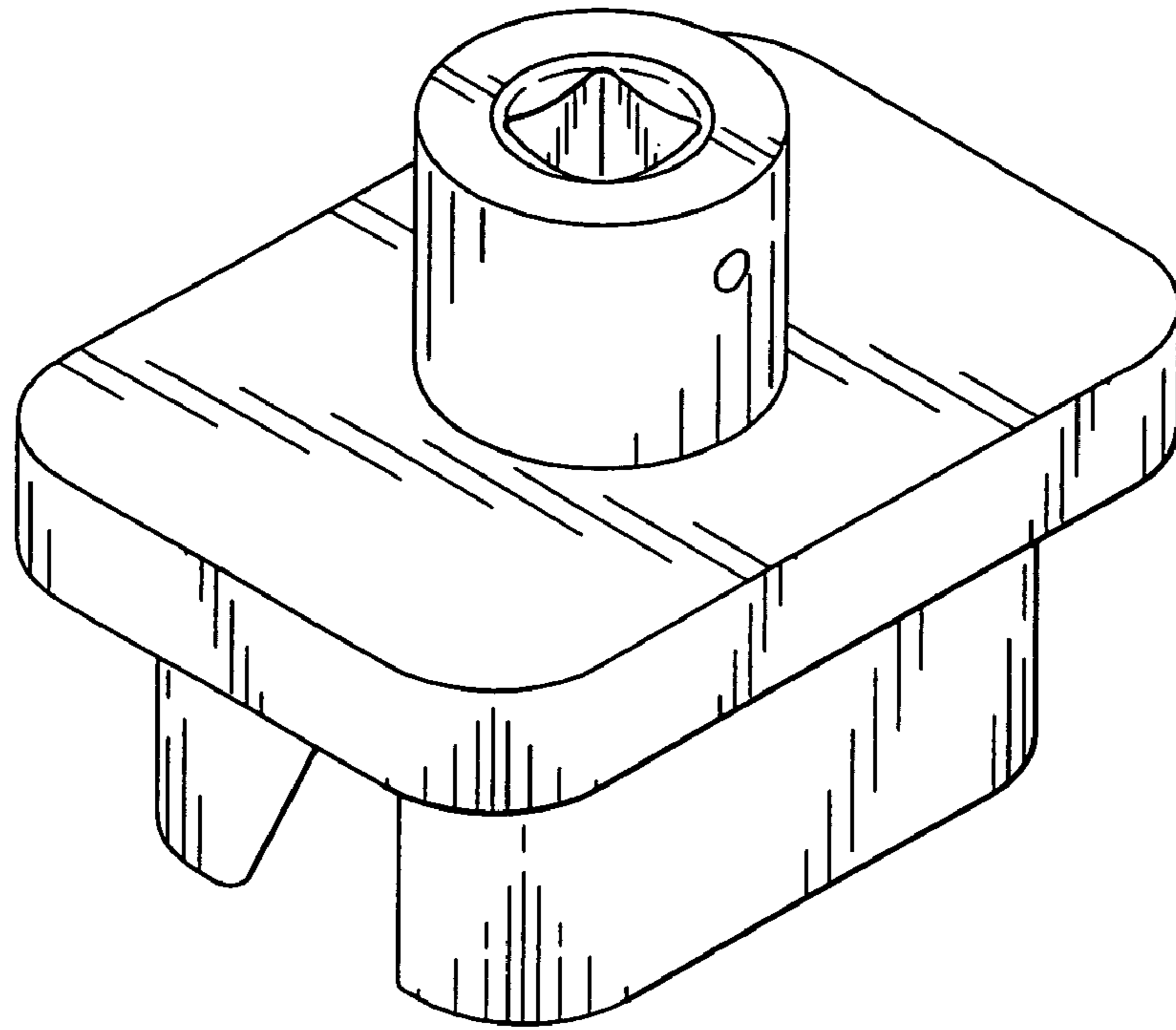
The ornamental design for a bottle valve wrench, as shown and described.

DESCRIPTION

FIG. 1 is an upper front right side perspective view of the bottle valve wrench;
FIG. 2 is a lower rear right side perspective view thereof;
FIG. 3 is a top view thereof;
FIG. 4 is a bottom view thereof;
FIG. 5 is a right side view thereof;
FIG. 6 is a left side view thereof;
FIG. 7 is a front view thereof;
FIG. 8 is a rear view thereof; and,
FIG. 9 is an upper rear right side perspective view thereof.
The broken lines shown in the drawings is included for the purpose of illustrating environment and forms no part of the claimed design.

1 Claim, 5 Drawing Sheets





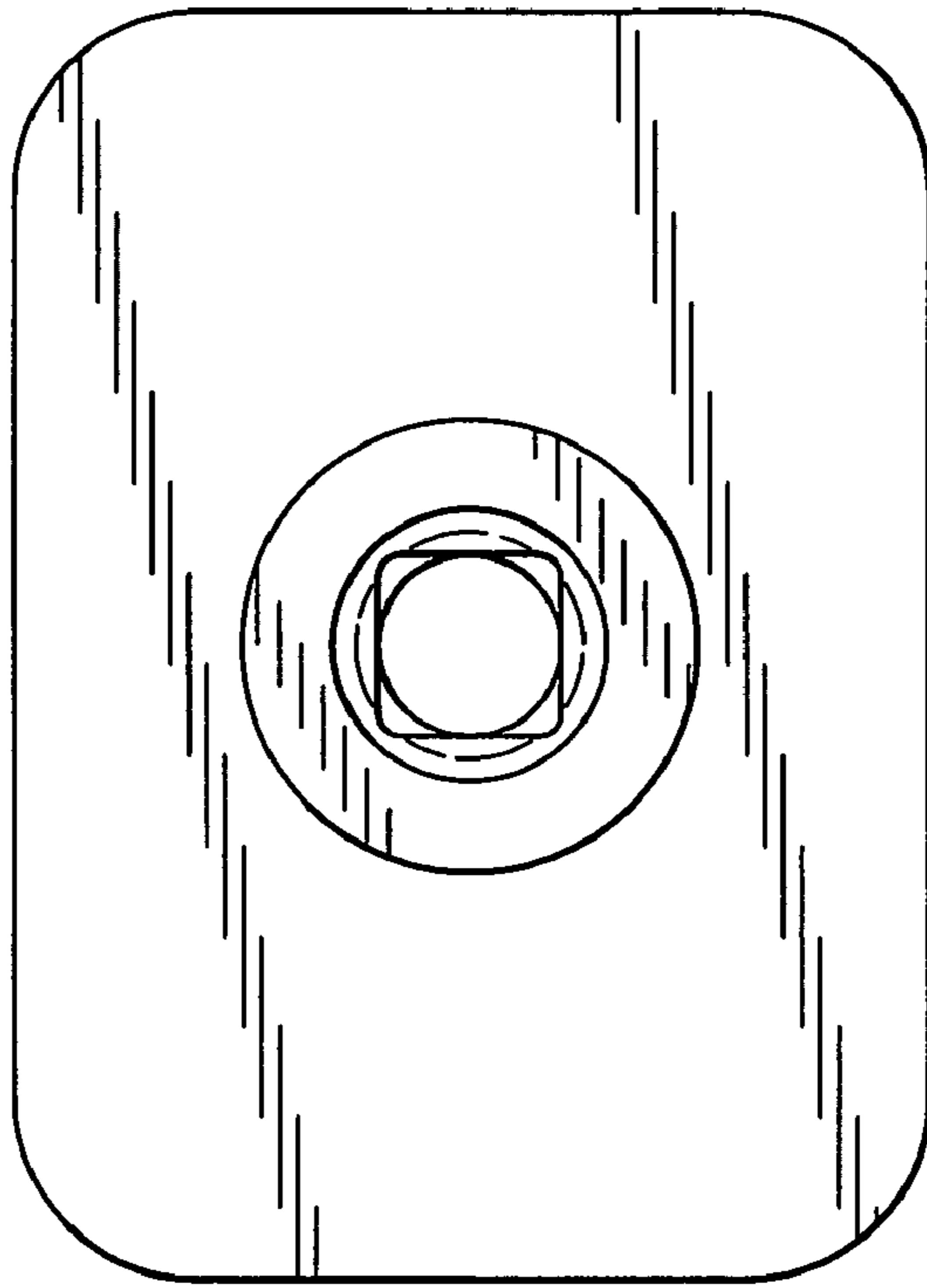


FIG. 3

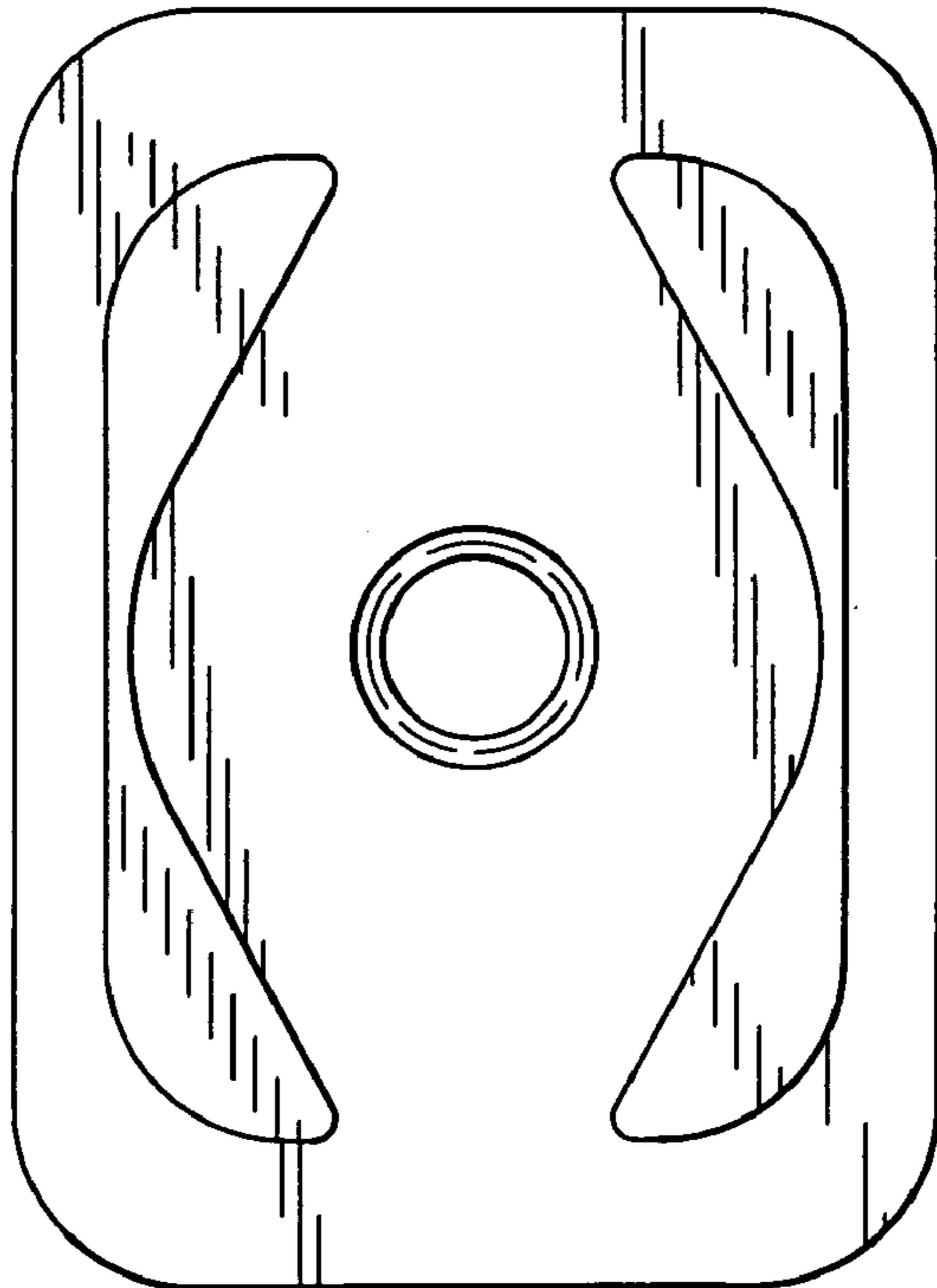


FIG. 4

