

US00D557087S

(12) **United States Design Patent**
Mo

(10) **Patent No.:** **US D557,087 S**

(45) **Date of Patent:** **** Dec. 11, 2007**

(54) **HEAD PORTION OF A SPANNER**

6,971,288 B2 * 12/2005 Wei 81/99

(76) **Inventor:** **Yi-Huang Mo**, 58, Ma Yuan West St.,
Taichung (TW)

* cited by examiner

(**) **Term:** **14 Years**

Primary Examiner—Raphael Barkai

Assistant Examiner—Randall H Gholson

(21) **Appl. No.:** **29/268,106**

(74) *Attorney, Agent, or Firm*—Alan Kamrath; Kamrath &
Associates P.A.

(22) **Filed:** **Oct. 31, 2006**

(57) **CLAIM**

(51) **LOC (8) Cl.** **08-05**

The ornamental design for a head portion of a spanner, as
shown and described.

(52) **U.S. Cl.** **D8/23**

(58) **Field of Classification Search** D8/21–29,
D8/81–87, 102–107, 98, 99, 55, 93, 94; 81/60–63.2,
81/177.1, 177.85, 177.8, 489, 125.1, 121.1,
81/119–120, 176.1, 186, 177.9, 185.1, 176.2,
81/165, 170, 3.35, 58, 3.345, 155; 206/378;
16/429, 441, 124.6; 7/100, 138, 168, 157
See application file for complete search history.

DESCRIPTION

FIG. 1 is a perspective view of a head portion of a spanner
showing my design;

FIG. 2 is a front elevational view thereof;

FIG. 3 is a rear elevational view thereof;

FIG. 4 is a left side elevational view thereof;

FIG. 5 is a right side elevational view thereof;

FIG. 6 is a top plan view thereof; and,

FIG. 7 is a bottom plan view thereof.

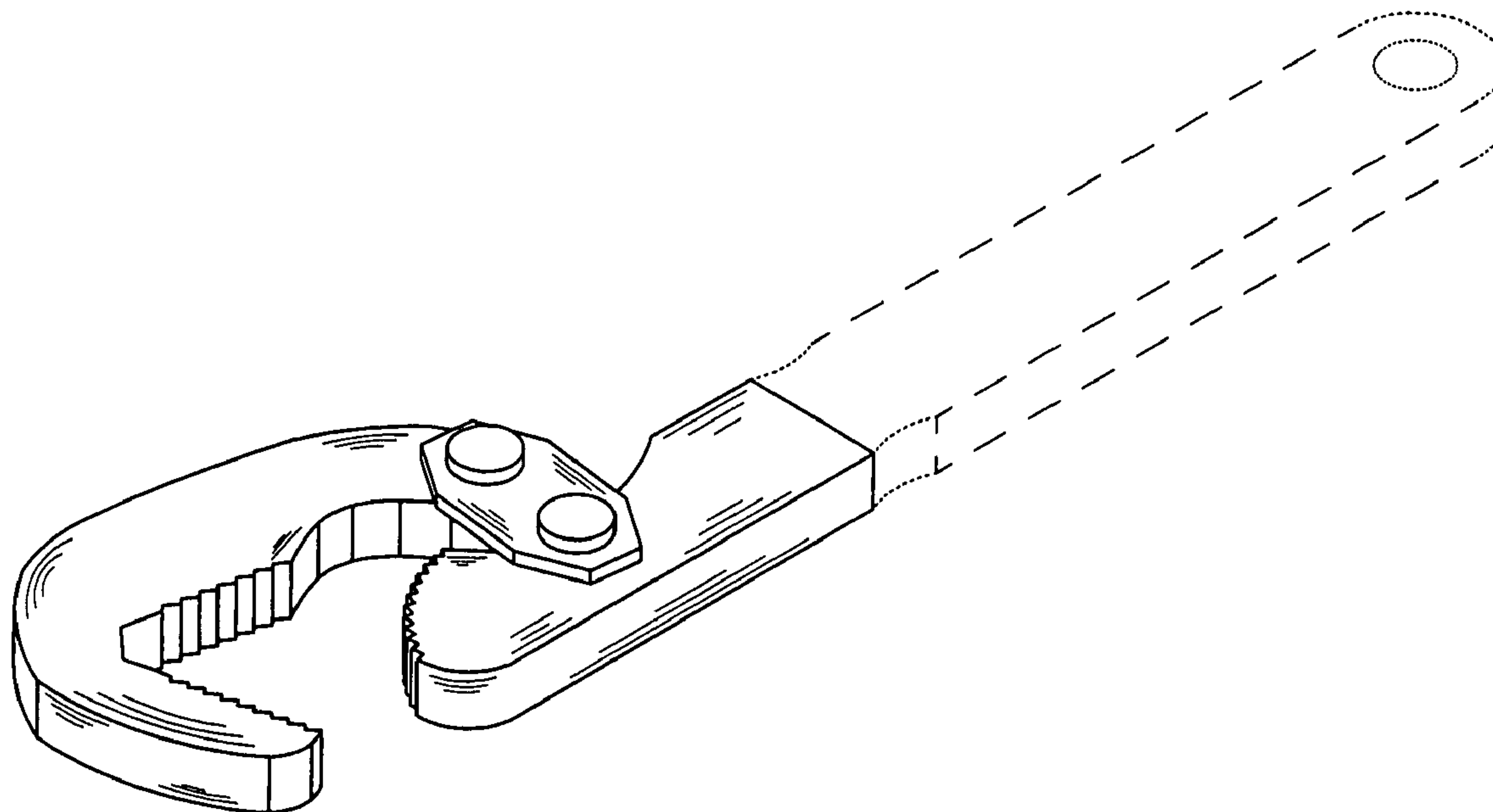
The broken lines shown in the drawing figures is included
for illustrative purposes only and forms no part of the
claimed design.

(56) **References Cited**

U.S. PATENT DOCUMENTS

2,464,555	A *	3/1949	Carnelli	81/99
D162,856	S *	4/1951	Mathews	D8/23
2,559,974	A *	7/1951	Kunz	81/99
4,651,597	A *	3/1987	Yang	81/77
5,746,097	A *	5/1998	McCann	81/99
5,771,761	A *	6/1998	Binkowski	81/99
6,092,440	A *	7/2000	Hillinger	81/117
6,131,491	A *	10/2000	Hirse	81/99

1 Claim, 7 Drawing Sheets



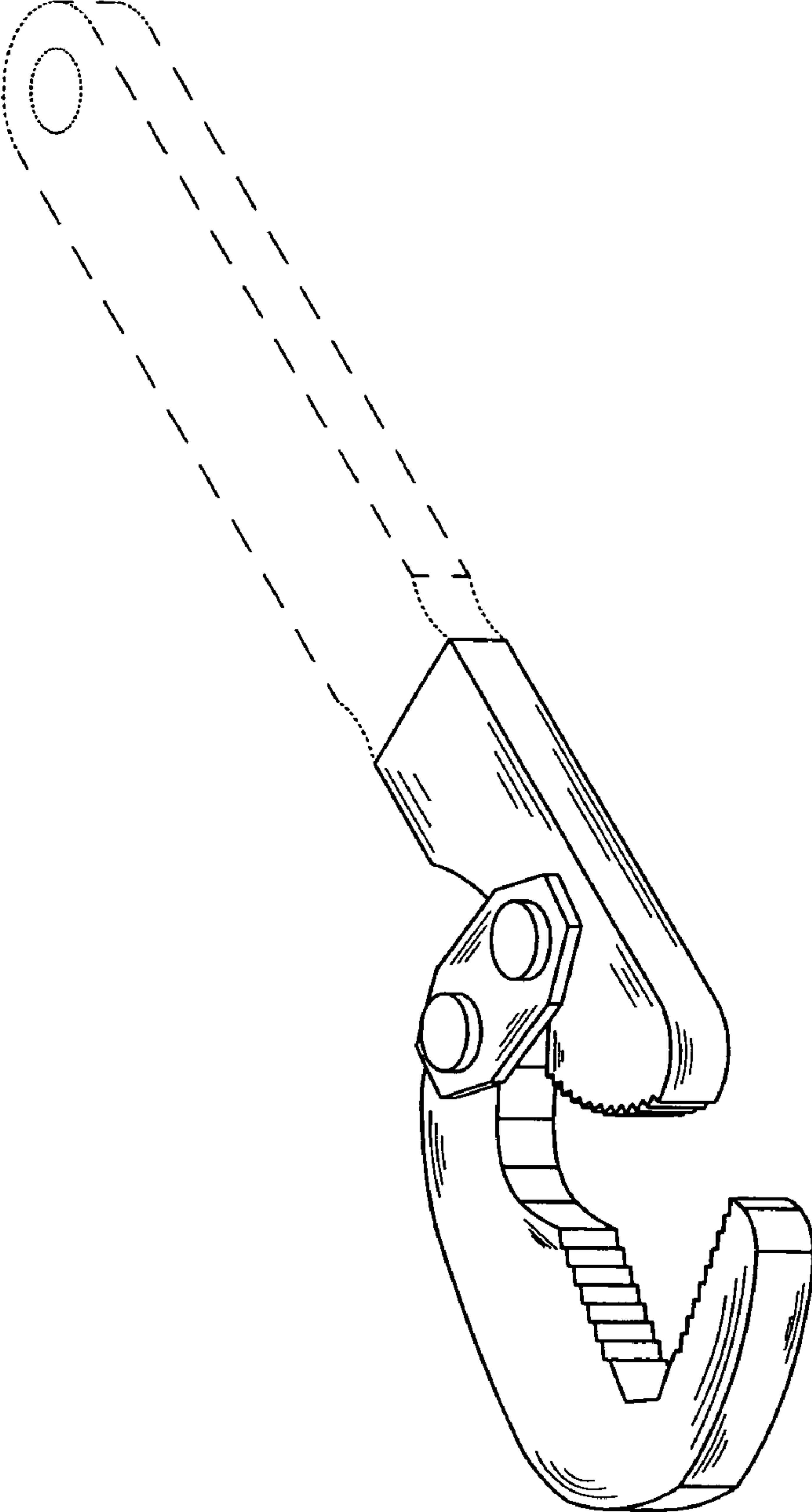


FIG. 1

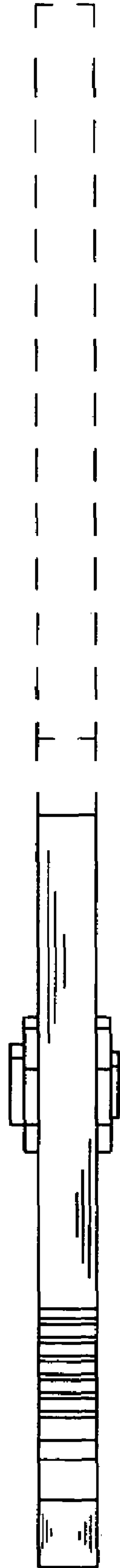


FIG. 2

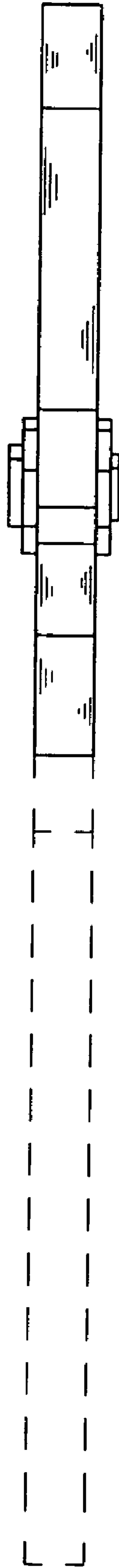


FIG. 3

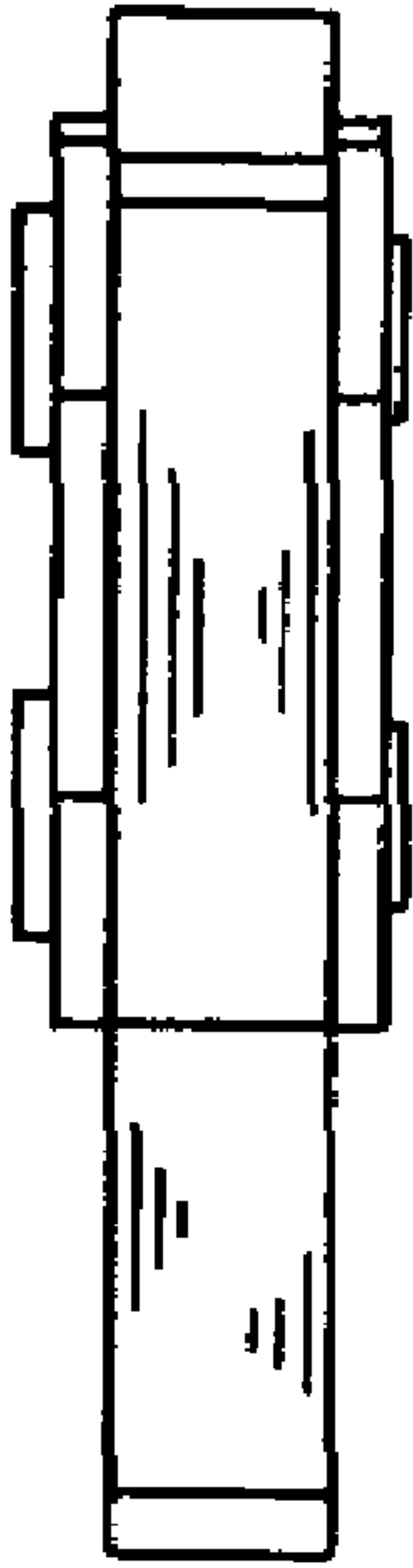


FIG. 4

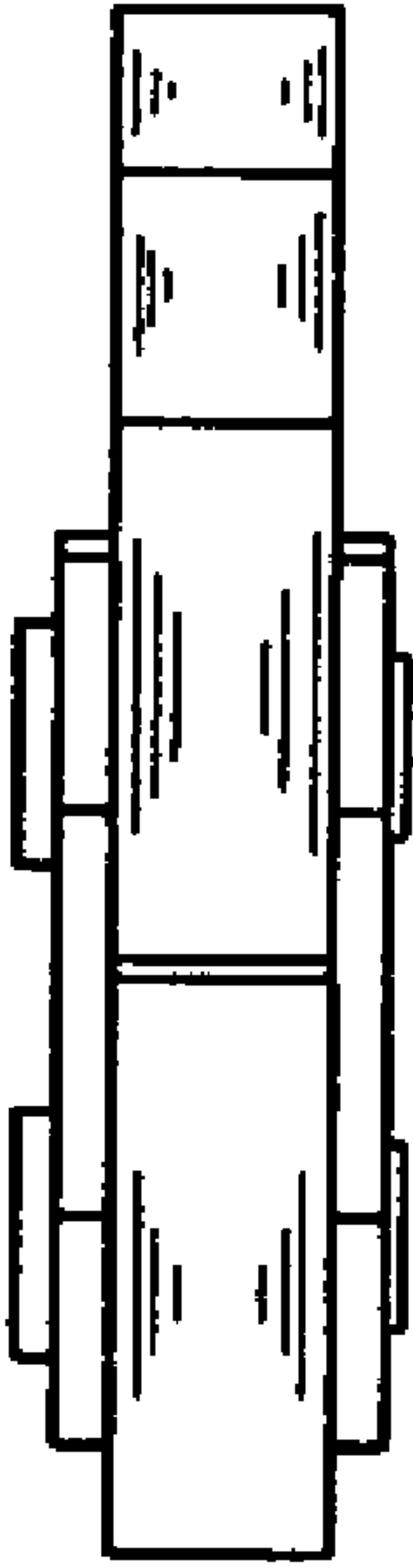


FIG. 5

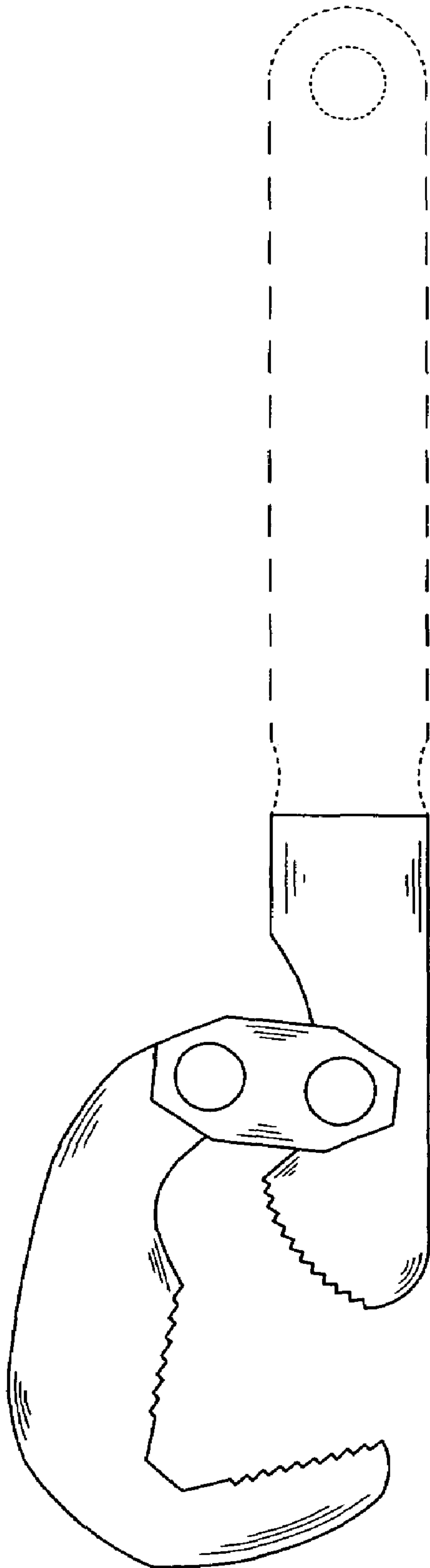


FIG. 6

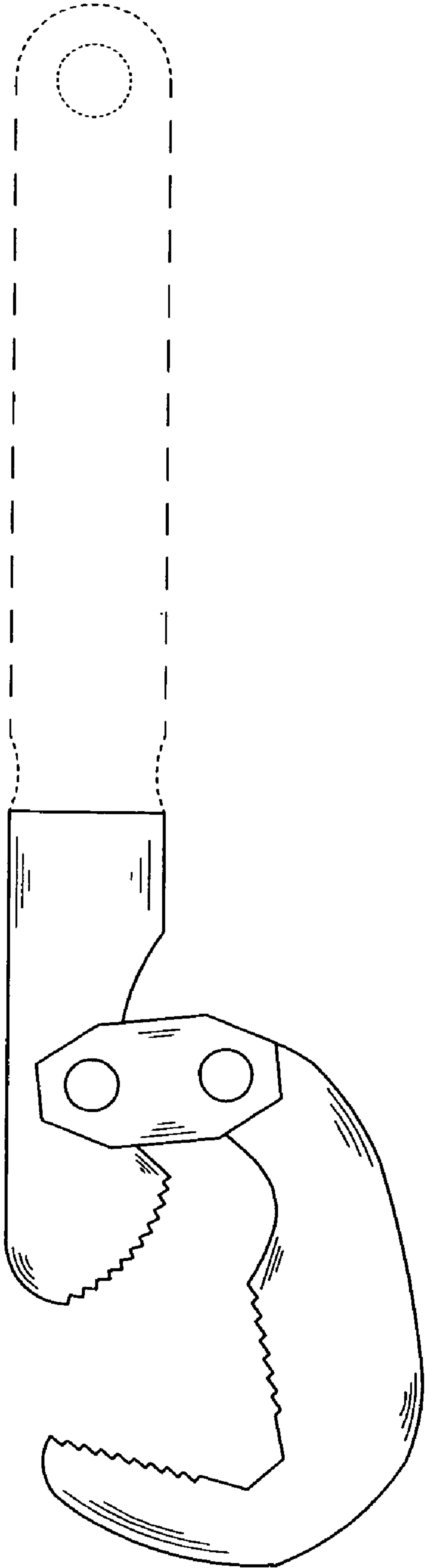


FIG. 7