



US00D557082S

(12) **United States Design Patent**
Koelewyn

(10) **Patent No.:** **US D557,082 S**

(45) **Date of Patent:** **** Dec. 11, 2007**

(54) **FISHING KNIFE**

(75) Inventor: **Robert W. Koelewyn**, Fairfield, CT (US)

(73) Assignee: **Zeebaas LLC**, Southport, CT (US)

(**) Term: **14 Years**

(21) Appl. No.: **29/254,233**

(22) Filed: **Feb. 16, 2006**

(51) **LOC (8) Cl.** **07-03**

(52) **U.S. Cl.** **D7/649**

(58) **Field of Classification Search** D4/138;
D7/393, 395, 401.2, 642-646, 649-653, 662-664,
D7/688, 695-696; D8/10, 36, 75, 80, 83,
D8/87, 98, 99, 102, 107, 300, 303; D22/117-118;
30/123.5-123.7, 124-125, 128, 142-143,
30/147-149, 154-162, 169, 200-201, 293-29,
30/304, 316, 329-330, 340, 342-346, 353,
30/355, 394

See application file for complete search history.

(56) **References Cited**

U.S. PATENT DOCUMENTS

D317,037 S *	5/1991	Koshiishi	D22/118
D347,375 S *	5/1994	Sakai	D8/99
D367,599 S *	3/1996	Sakai	D8/99
D398,211 S *	9/1998	Howard	D8/98
5,822,866 A *	10/1998	Pardue	30/161
D433,914 S *	11/2000	Chu	D8/99
6,427,334 B2 *	8/2002	Onion	30/161
6,651,344 B2 *	11/2003	Cheng	30/159
D488,697 S *	4/2004	Rae	D8/99
D489,956 S *	5/2004	Rae	D8/99
D519,185 S *	4/2006	Carter, III	D22/118
D530,180 S *	10/2006	Klecker et al.	D8/99
2004/0226173 A1 *	11/2004	Ping	30/161

* cited by examiner

Primary Examiner—Janice E. Seeger

Assistant Examiner—Ricky Pham

(74) *Attorney, Agent, or Firm*—Ware Fressola Van Der Sluys & Adolphson LLP

(57) **CLAIM**

The ornamental design for a fishing knife, as shown and described.

DESCRIPTION

FIG. 1 is a front elevation view of a fishing knife of the invention in its closed position;

FIG. 2 is a front elevation view of the fishing knife of FIG. 1, in its open position;

FIG. 3 is a rear elevation view of the fishing knife of FIG. 1, in its closed position;

FIG. 4 is a rear elevation view of the fishing knife of FIG. 1, in its open position;

FIG. 5 is a top view of the fishing knife of FIG. 1, in its closed position;

FIG. 6 is a top view of the fishing knife of FIG. 1, in its open position;

FIG. 7 is a bottom view of the fishing knife of FIG. 1, in its closed position;

FIG. 8 is a bottom view of the fishing knife of FIG. 1, in its open position;

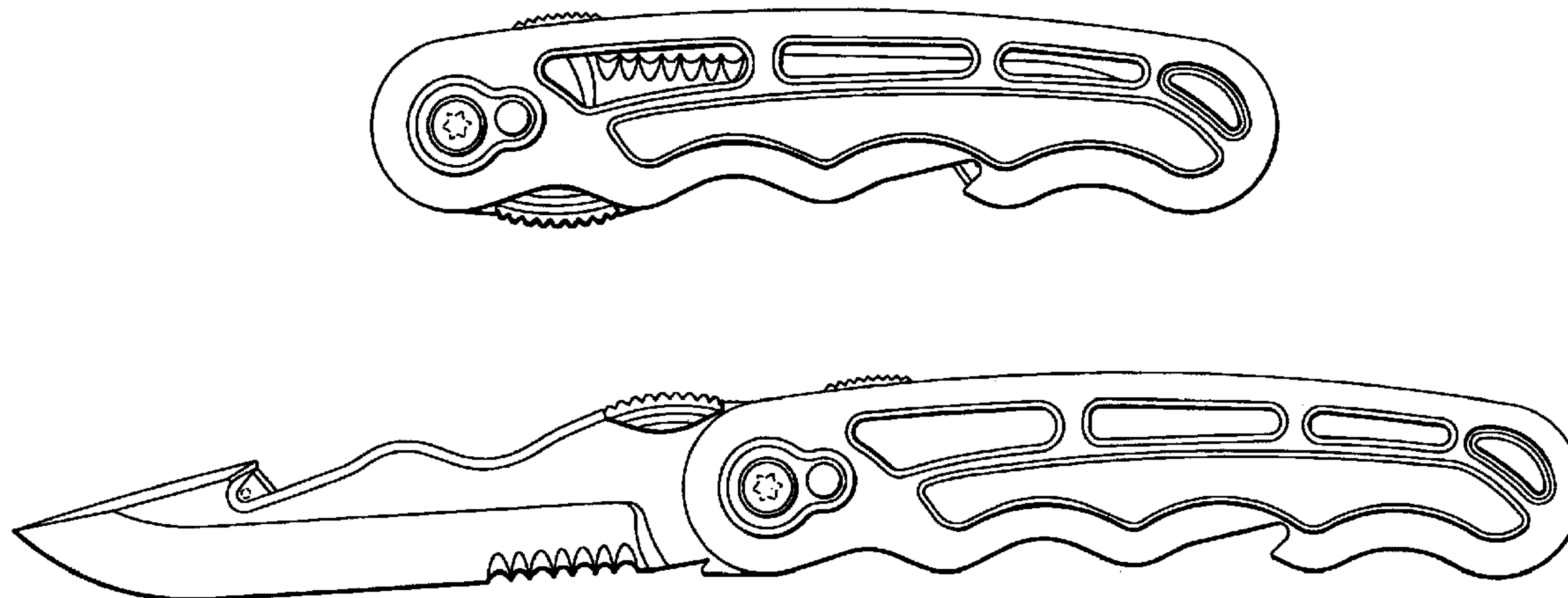
FIG. 9 is a left side elevation view of the fishing knife of FIG. 1, in its closed position;

FIG. 10 is a left side elevation view of the fishing knife of FIG. 1, in its open position; and,

FIG. 11 is a right side elevation view of the fishing knife of FIG. 1.

The broken lines are for illustrative purposes and form no part of the claimed design.

1 Claim, 5 Drawing Sheets



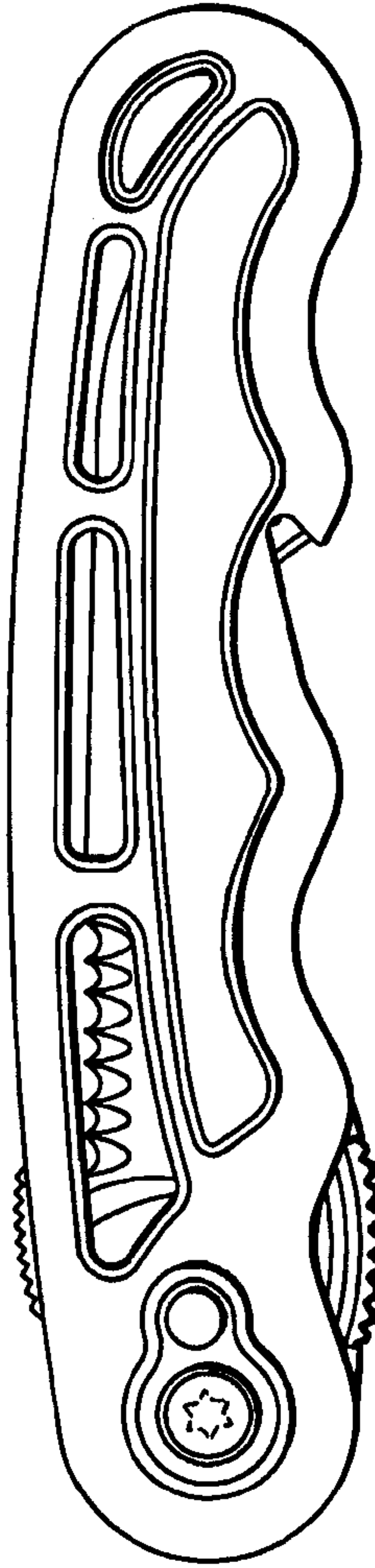


FIG. 1

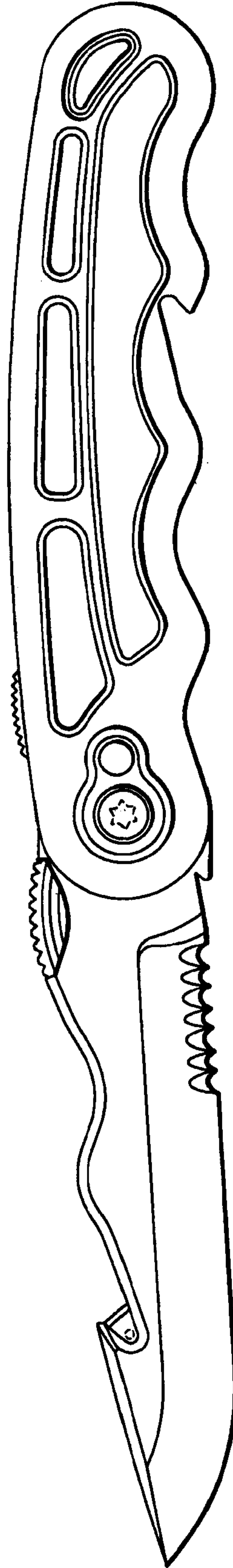


FIG. 2

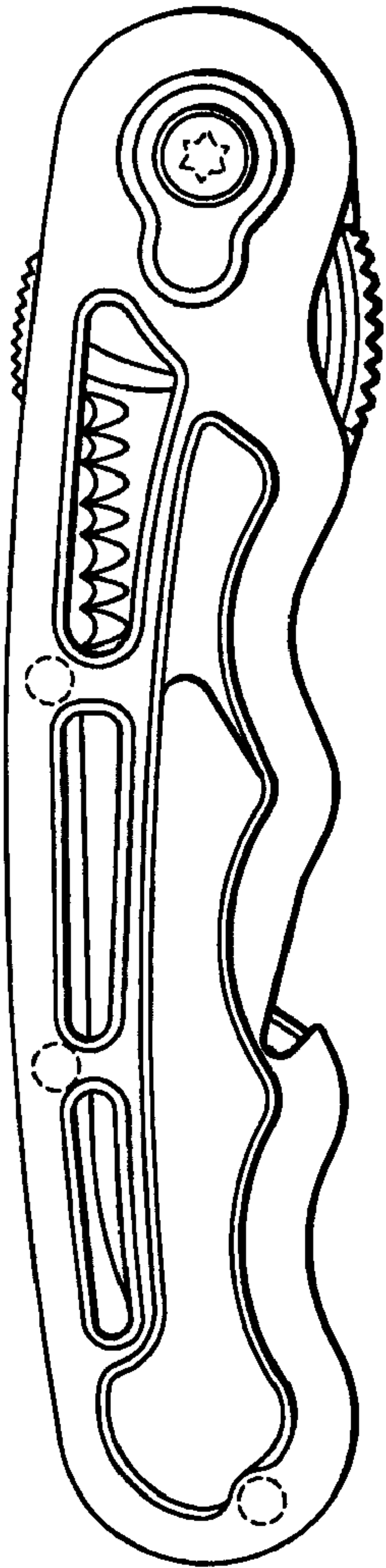


FIG. 3

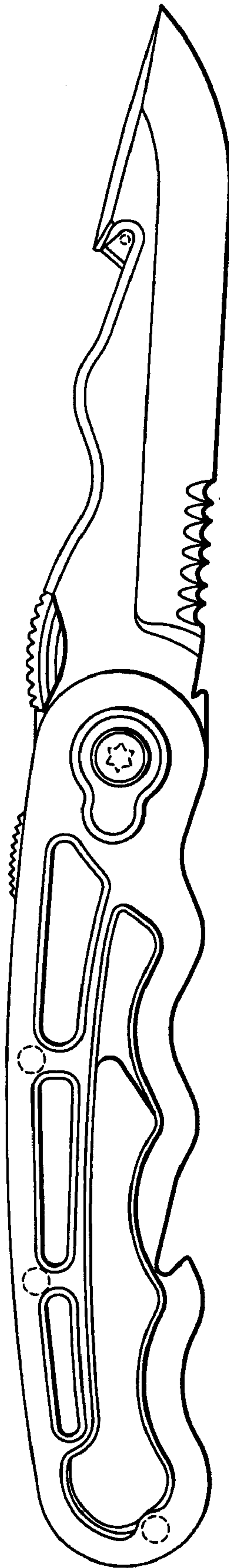


FIG. 4

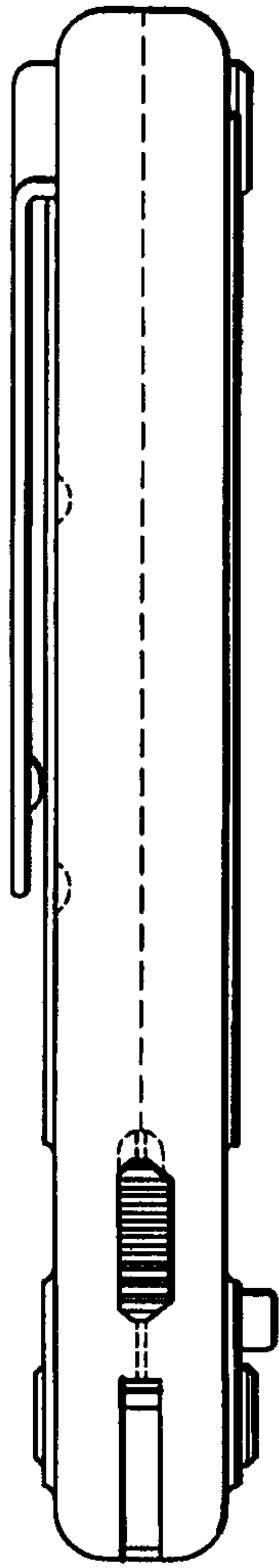


FIG. 5

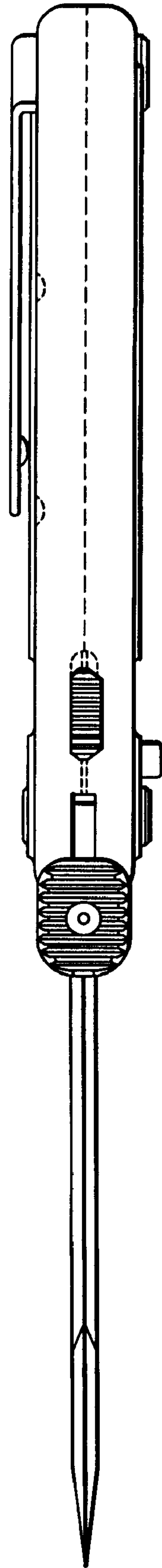


FIG. 6

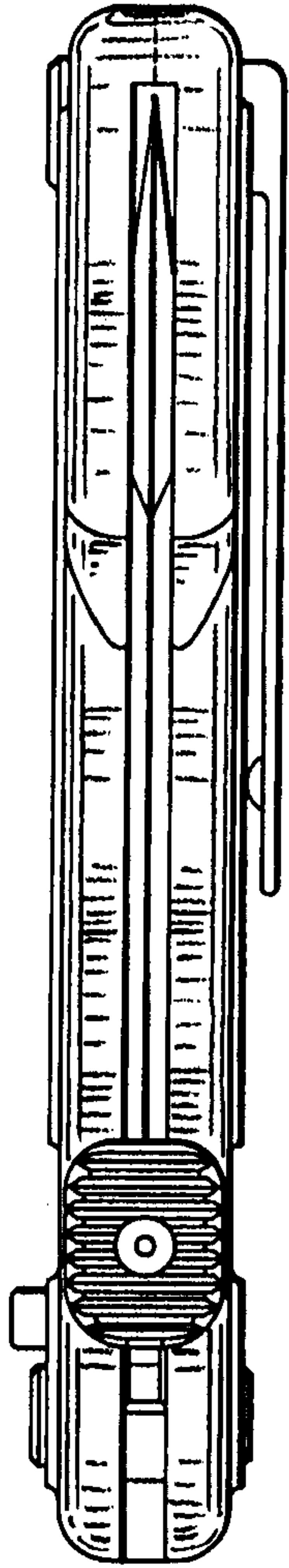


FIG. 7

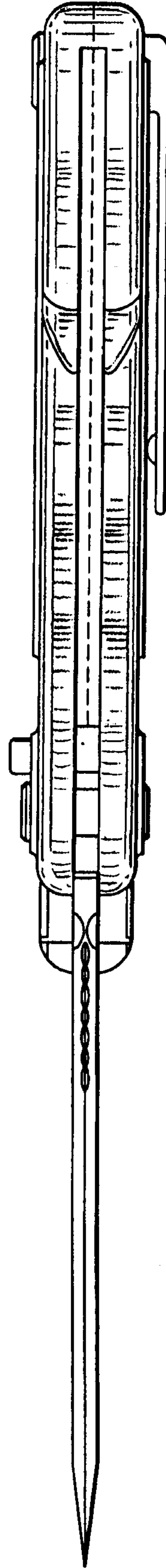


FIG. 8

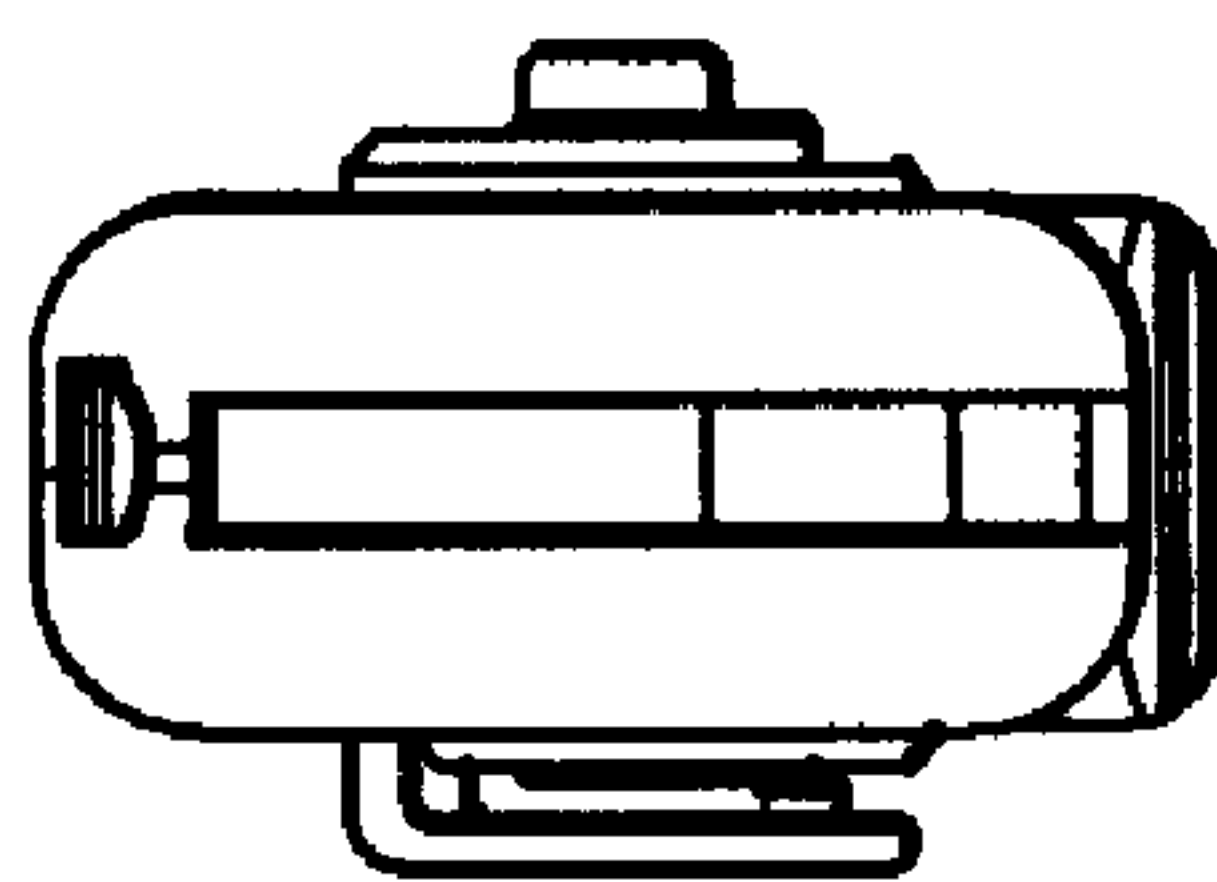


FIG. 9

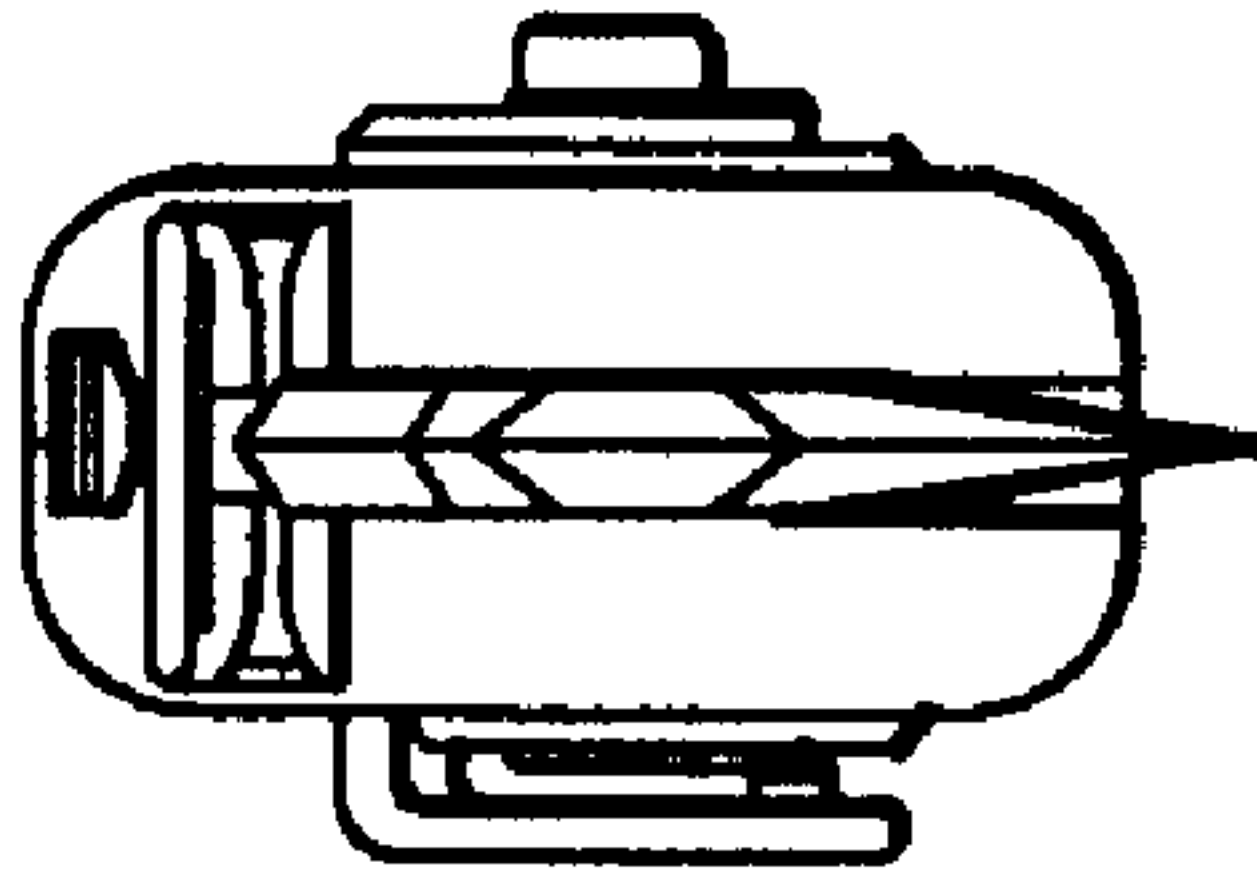


FIG. 10

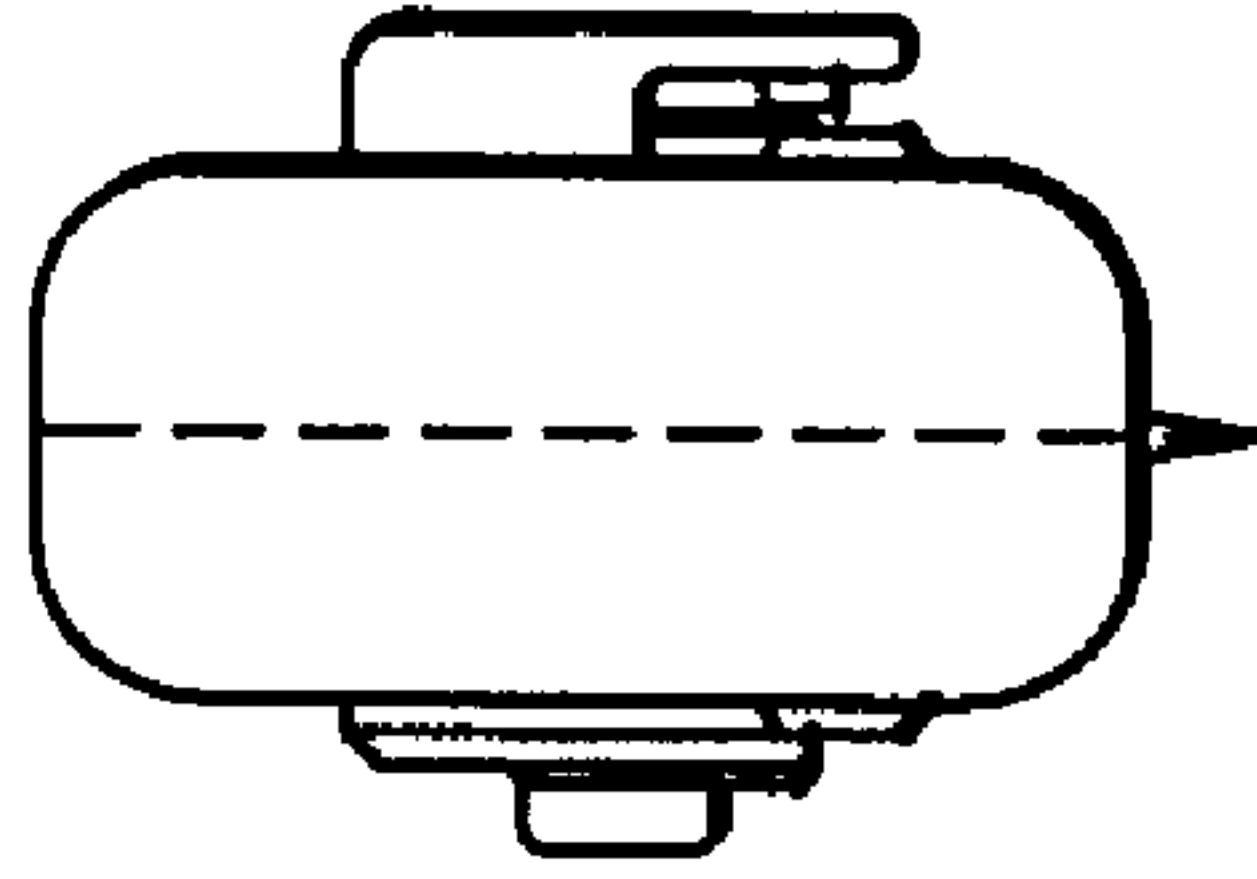


FIG. 11