



US00D557075S

(12) **United States Design Patent**
Lucaci et al.

(10) **Patent No.:** **US D557,075 S**
(45) **Date of Patent:** **** Dec. 11, 2007**

(54) **OUTER SURFACE OF A DRINKING CONTAINER**

(75) Inventors: **Iulius Lucaci**, Evanston, IL (US); **Sami Elsaden**, Winnetka, IL (US)

(73) Assignee: **Ignite USA, LLC**, Chicago, IL (US)

(**) Term: **14 Years**

(21) Appl. No.: **29/260,606**

(22) Filed: **May 26, 2006**

Related U.S. Application Data

(63) Continuation-in-part of application No. 29/235,343, filed on Jul. 29, 2005, now Pat. No. Des. 524,107.

(51) **LOC (8) Cl.** **07-01**

(52) **U.S. Cl.** **D7/536; D7/533; D7/509; D7/500**

(58) **Field of Classification Search** **D7/319, D7/361, 396.2, 500, 509, 510, 513-515, 518, D7/521, 531-536, 538, 541, 545, 601, 613, D7/622; D3/271.6; D8/DIG. 9; D9/516, D9/555, 600, 636, 716, 718, 741, 751; D24/122; D25/7, 102, 104, 117, 130; D26/11; D34/7, D34/9; 206/520; 215/DIG. 7, 387; 220/DIG. 13, 220/4.06, 4.24, 507, 516, 592.16, 592.17, 220/669, 710.5; 229/400, 402**

See application file for complete search history.

(56) **References Cited**

U.S. PATENT DOCUMENTS

D194,053 S * 11/1962 Cornelius D7/536
D202,643 S 10/1965 Hoyt
D222,628 S 11/1971 Beckman

(Continued)

Primary Examiner—Philip S. Hyder
Assistant Examiner—Cynthia Underwood

(74) *Attorney, Agent, or Firm*—McDermott Will & Emery LLP

(57) **CLAIM**

We claim the ornamental design for an outer surface of a drinking container, as shown and described.

DESCRIPTION

FIG. 1 is a perspective view of the claimed outer surface of a drinking container;

FIG. 2 is a front view of the outer surface of the drinking container of FIG. 1;

FIG. 3 is a right side view of the outer surface of the drinking container of FIG. 1;

FIG. 4 is a left side view of the outer surface of the drinking container of FIG. 1;

FIG. 5 is a top view of the outer surface of the drinking container of FIG. 1;

FIG. 6 is a bottom view of the outer surface of the drinking container of FIG. 1;

FIG. 7 is a perspective view of the another embodiment of the claimed outer surface of a drinking container;

FIG. 8 is a front view of the outer surface of the drinking container of FIG. 7;

FIG. 9 is a right side view of the outer surface of the drinking container of FIG. 7;

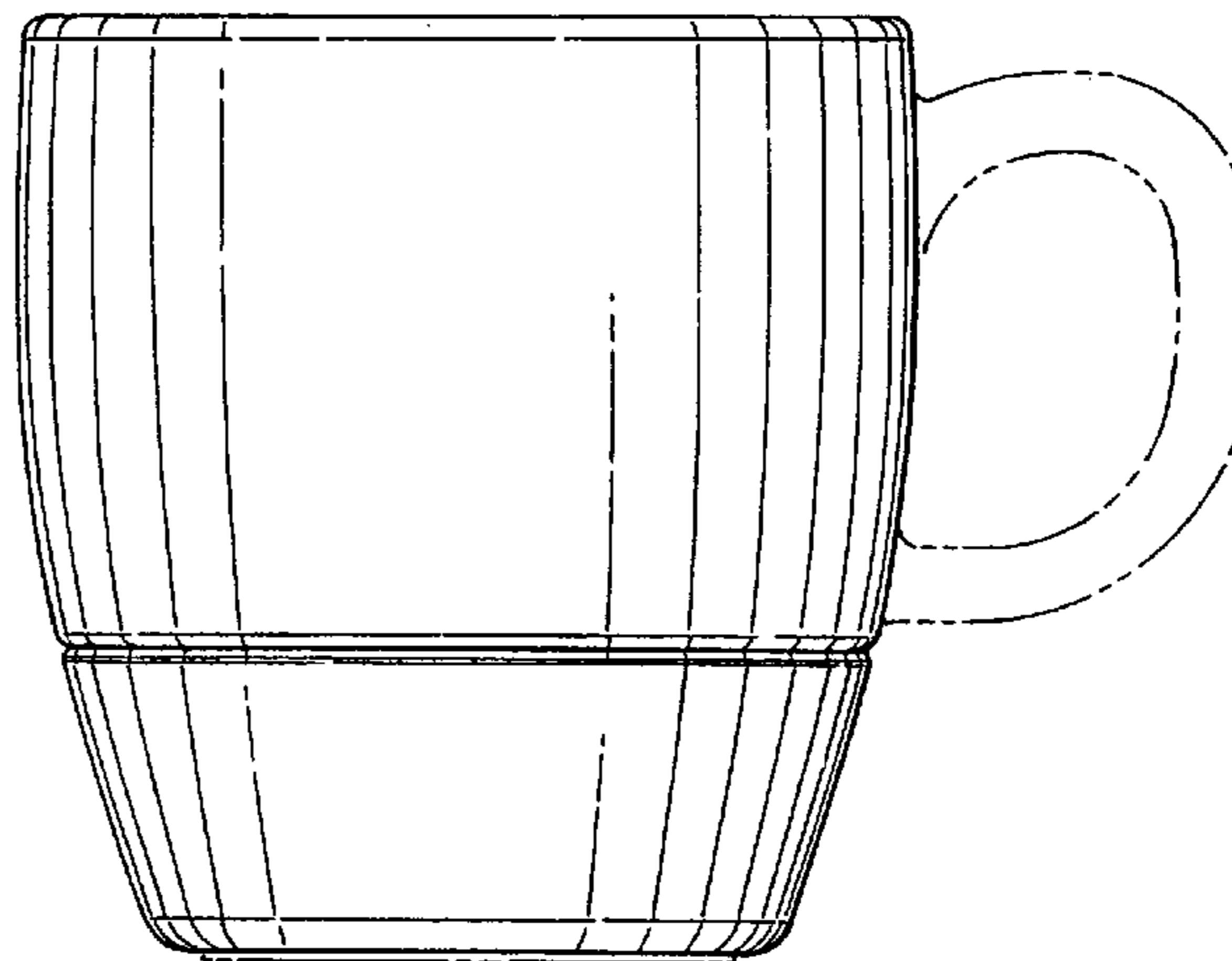
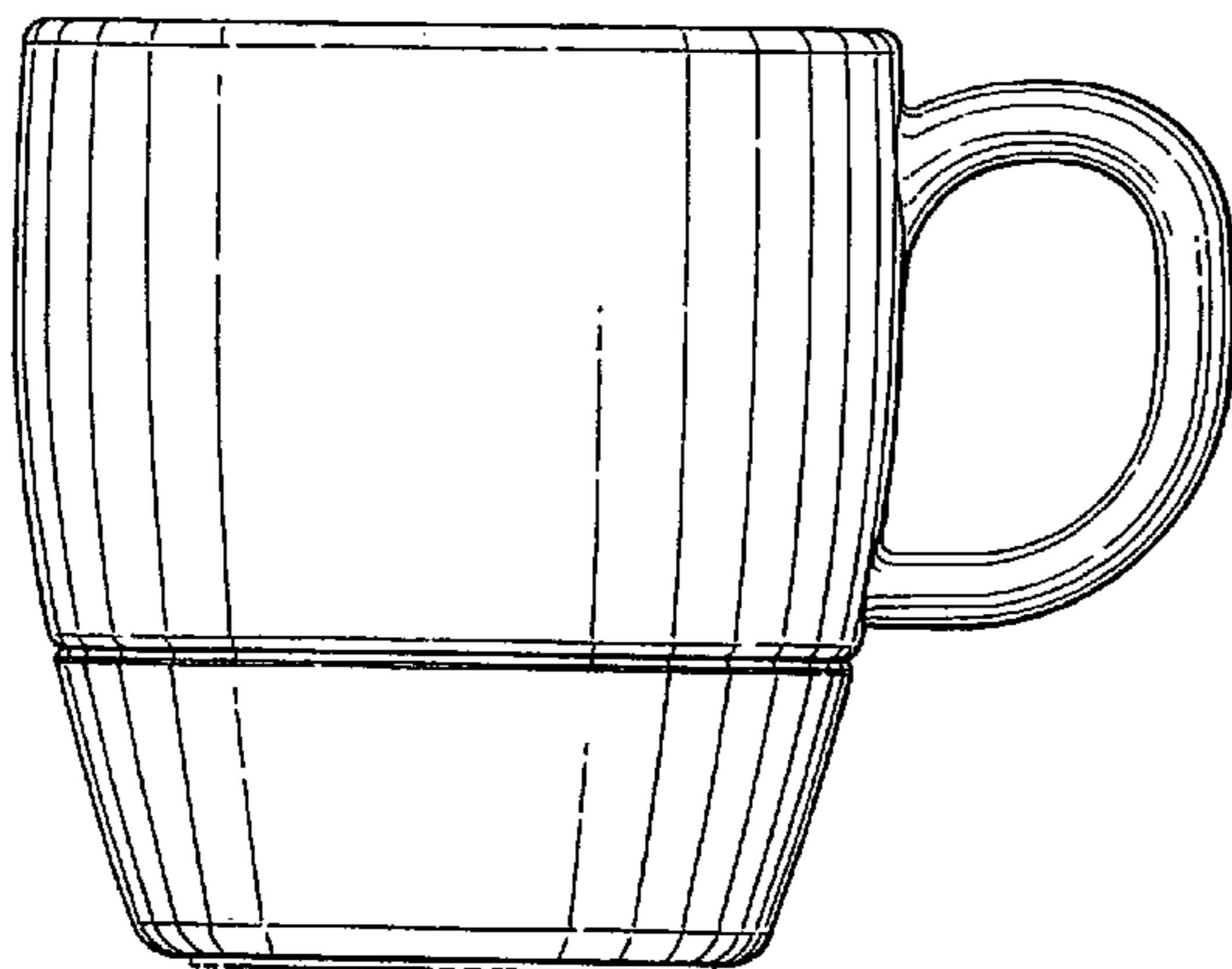
FIG. 10 is a left side view of the outer surface of the drinking container of FIG. 7;

FIG. 11 is a top view of the outer surface of the drinking container of FIG. 7; and,

FIG. 12 is a bottom view of the outer surface of the drinking container of FIG. 7.

Features shown in broken lines form no part of the claimed design.

1 Claim, 4 Drawing Sheets



US D557,075 S

Page 2

U.S. PATENT DOCUMENTS					
D226,962 S	5/1973	Krock	6,746,132 B2	6/2004	Liu
D243,911 S	4/1977	Thorud	D497,080 S *	10/2004	Greenspon D7/536
4,357,809 A	11/1982	Held et al.	D505,592 S	5/2005	Liu
5,067,329 A	11/1991	Tomlinson	D505,831 S	6/2005	Liu
D377,738 S *	2/1997	Thorne D7/536	D506,641 S	6/2005	Liu
D406,985 S	3/1999	Trombly	D510,681 S	10/2005	Liu
6,076,699 A	6/2000	Seager et al.	D511,072 S	11/2005	Trombly
6,164,191 A	12/2000	Liu et al.	D512,269 S	12/2005	Trombly
6,237,801 B1	5/2001	Liu	D524,602 S *	7/2006	Arduini D7/523
D444,929 S	7/2001	Cox	D527,222 S *	8/2006	Liu D7/536
D456,212 S	4/2002	Bridges	2004/0017678 A1	1/2004	Liu
D462,579 S *	9/2002	Janky D7/536	2005/0098565 A1	5/2005	Liu
D488,348 S	4/2004	Liu	2005/0103794 A1	5/2005	Liu

* cited by examiner

FIG. 1

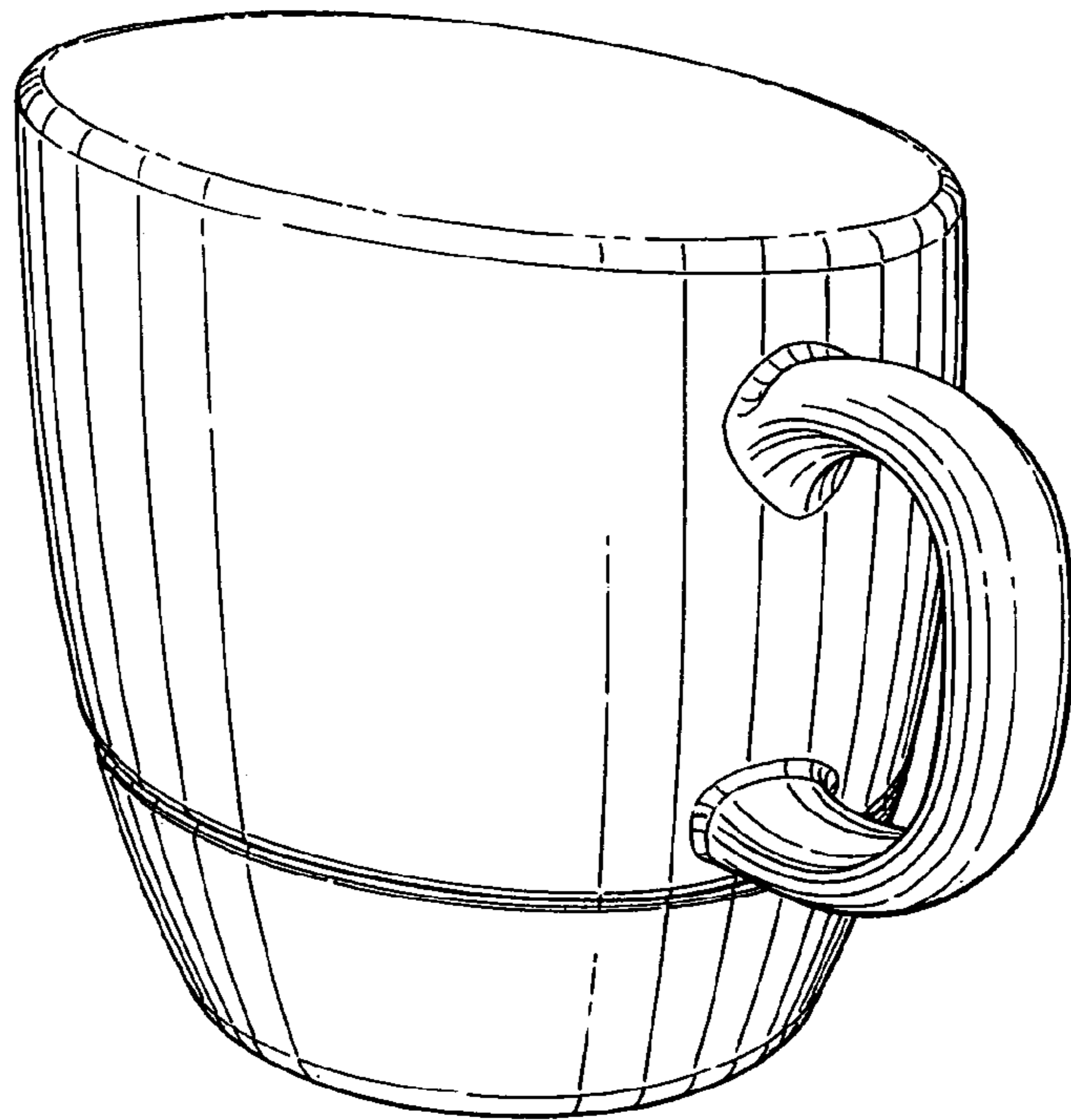


FIG. 2

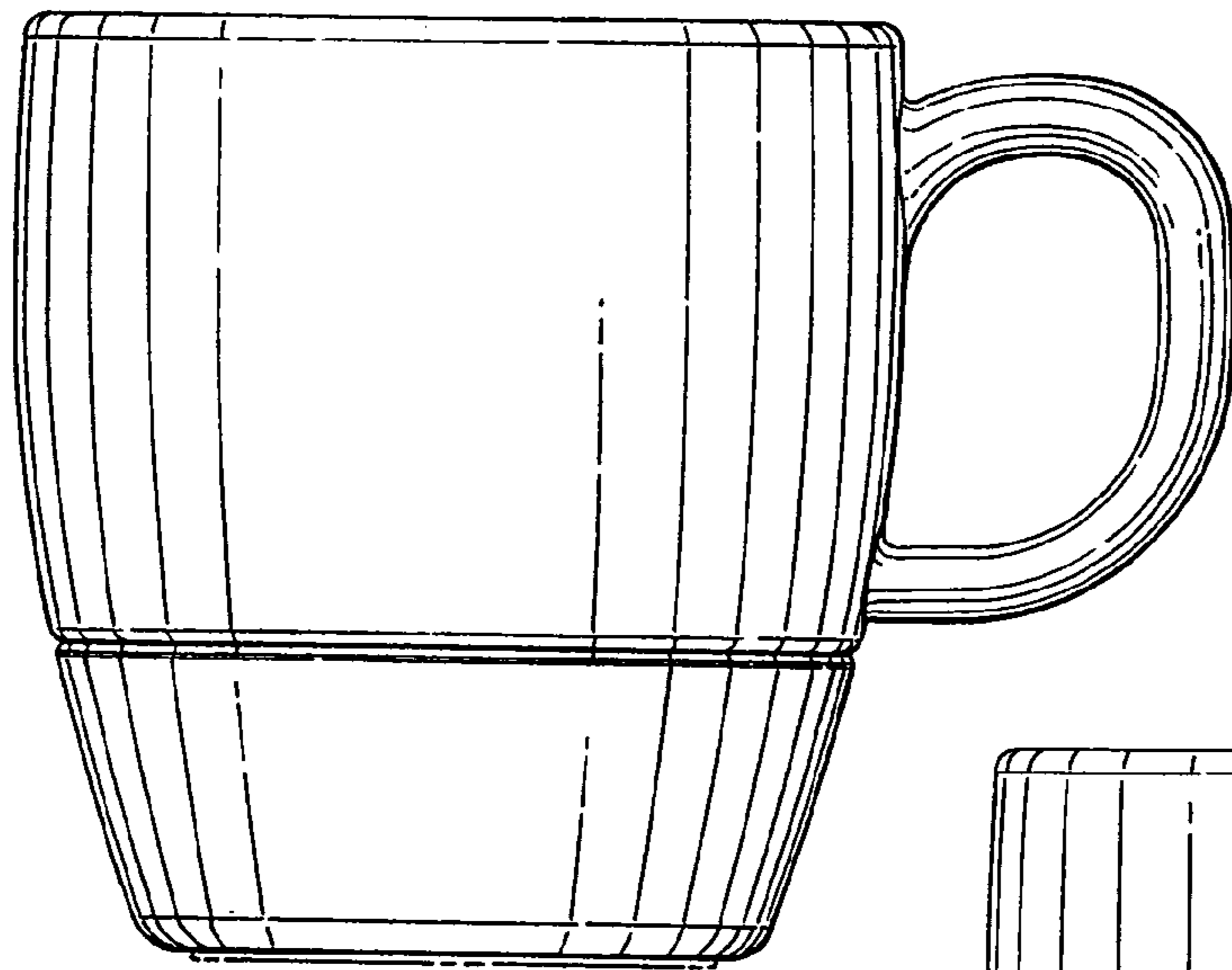


FIG. 3

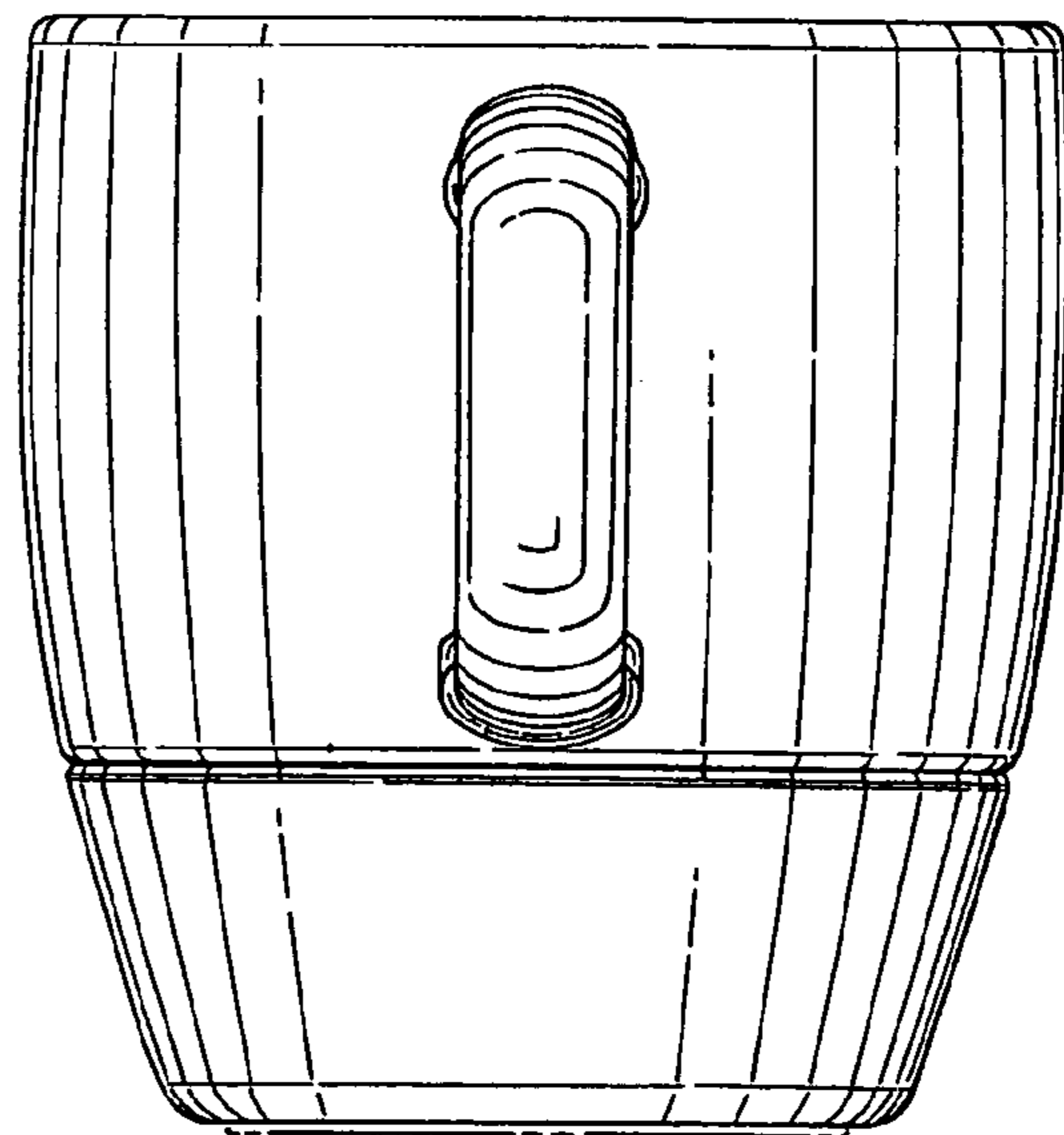


FIG. 4

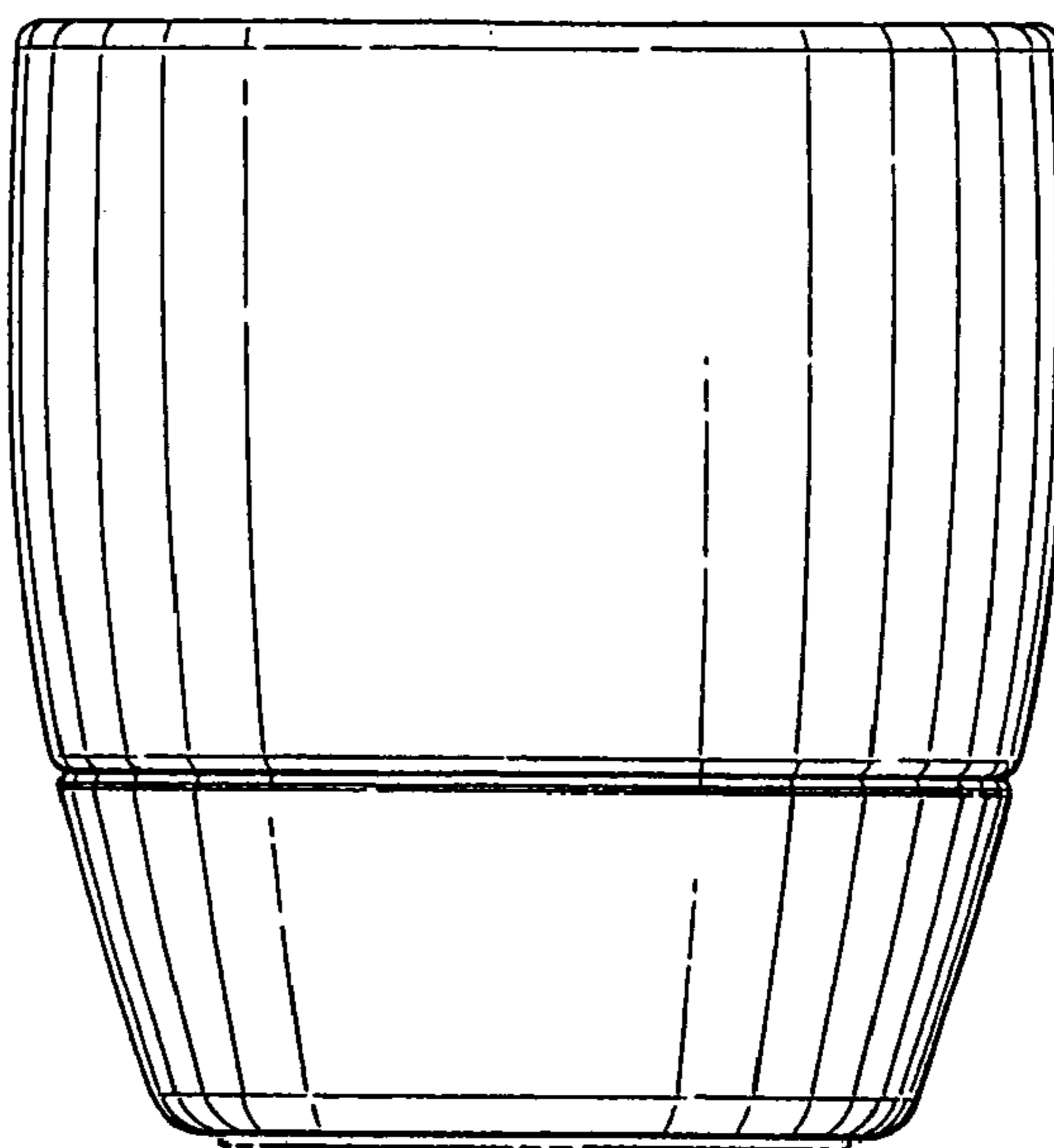


FIG. 5

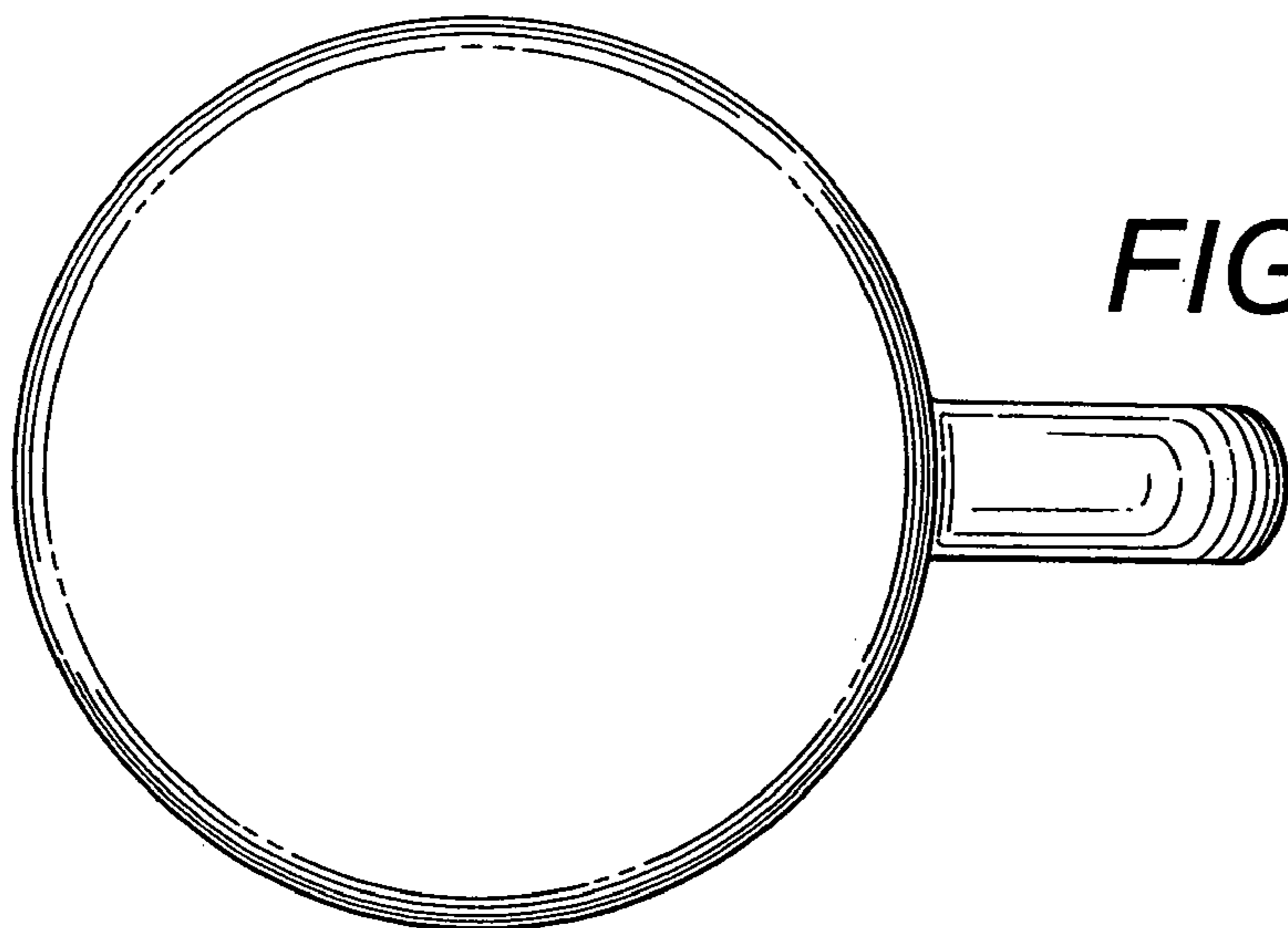


FIG. 6

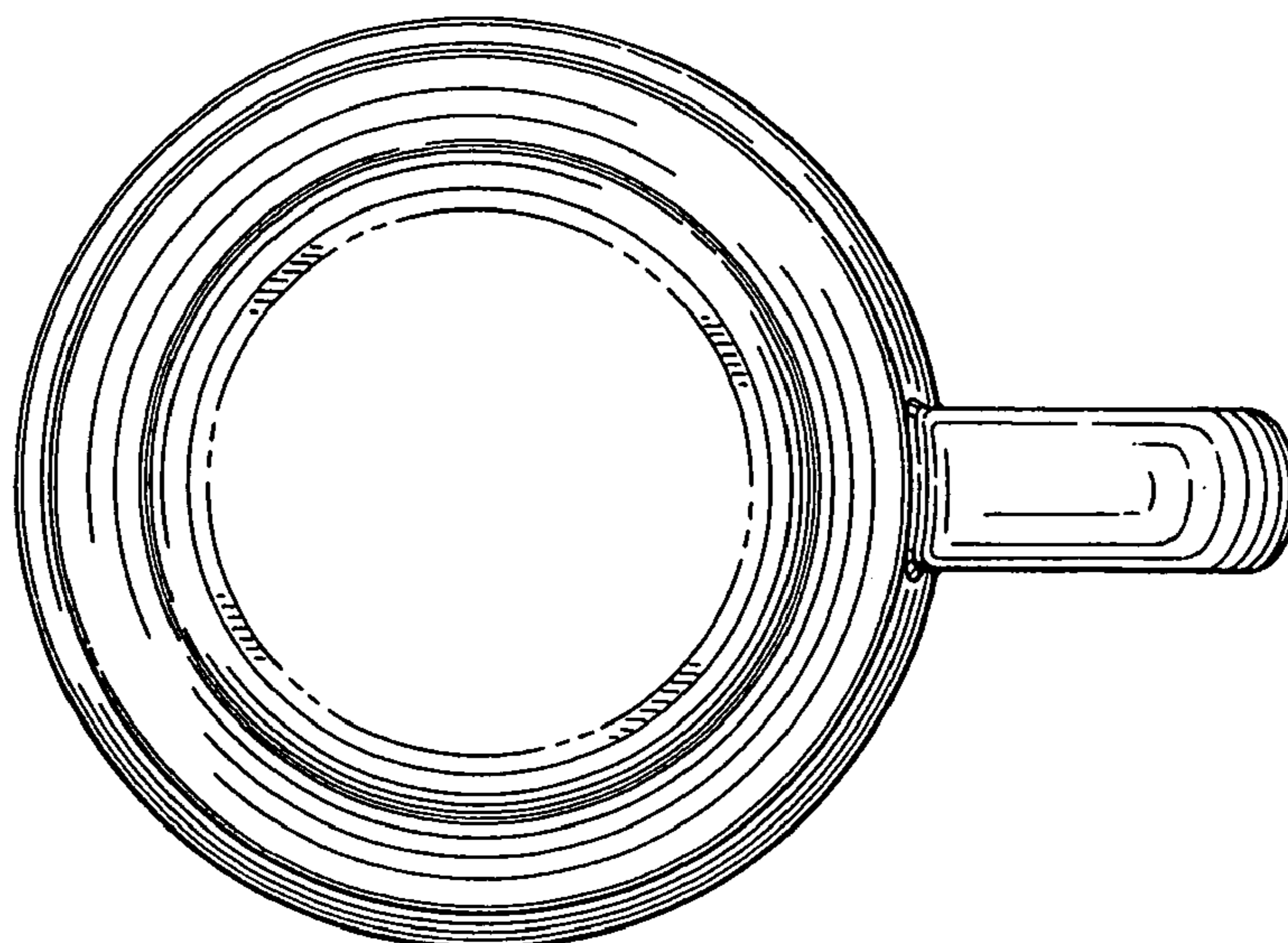


FIG. 7

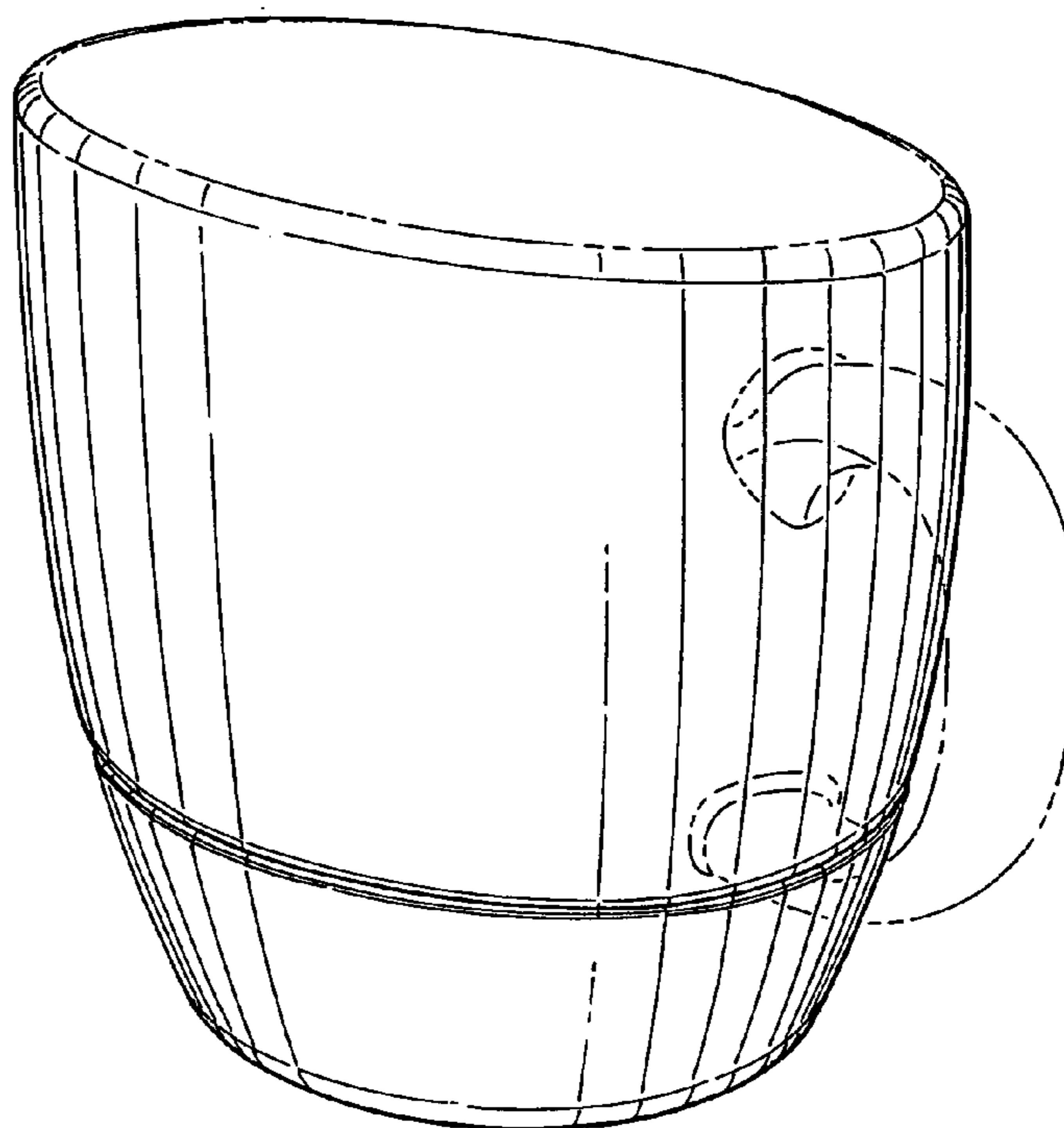


FIG. 8

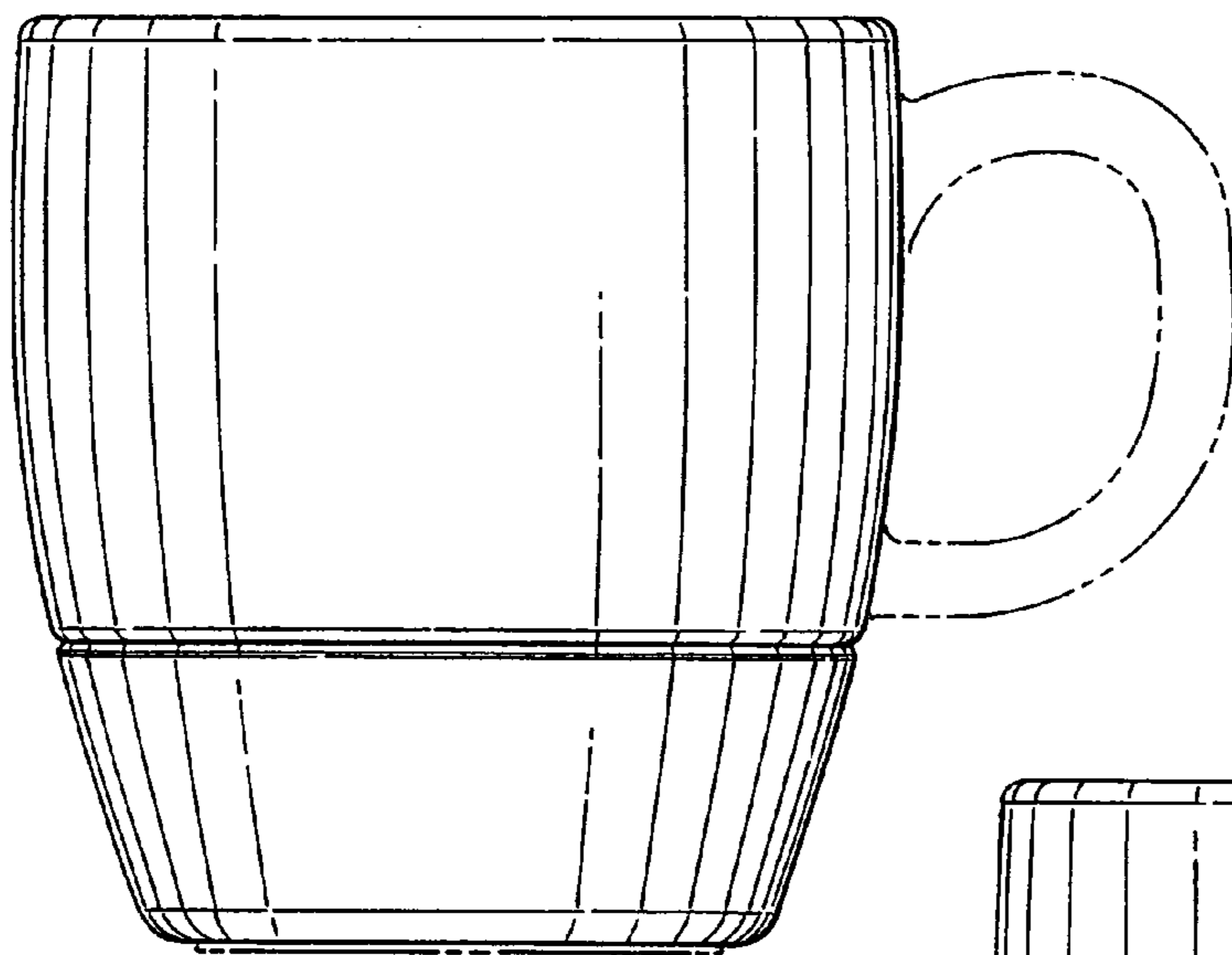


FIG. 9

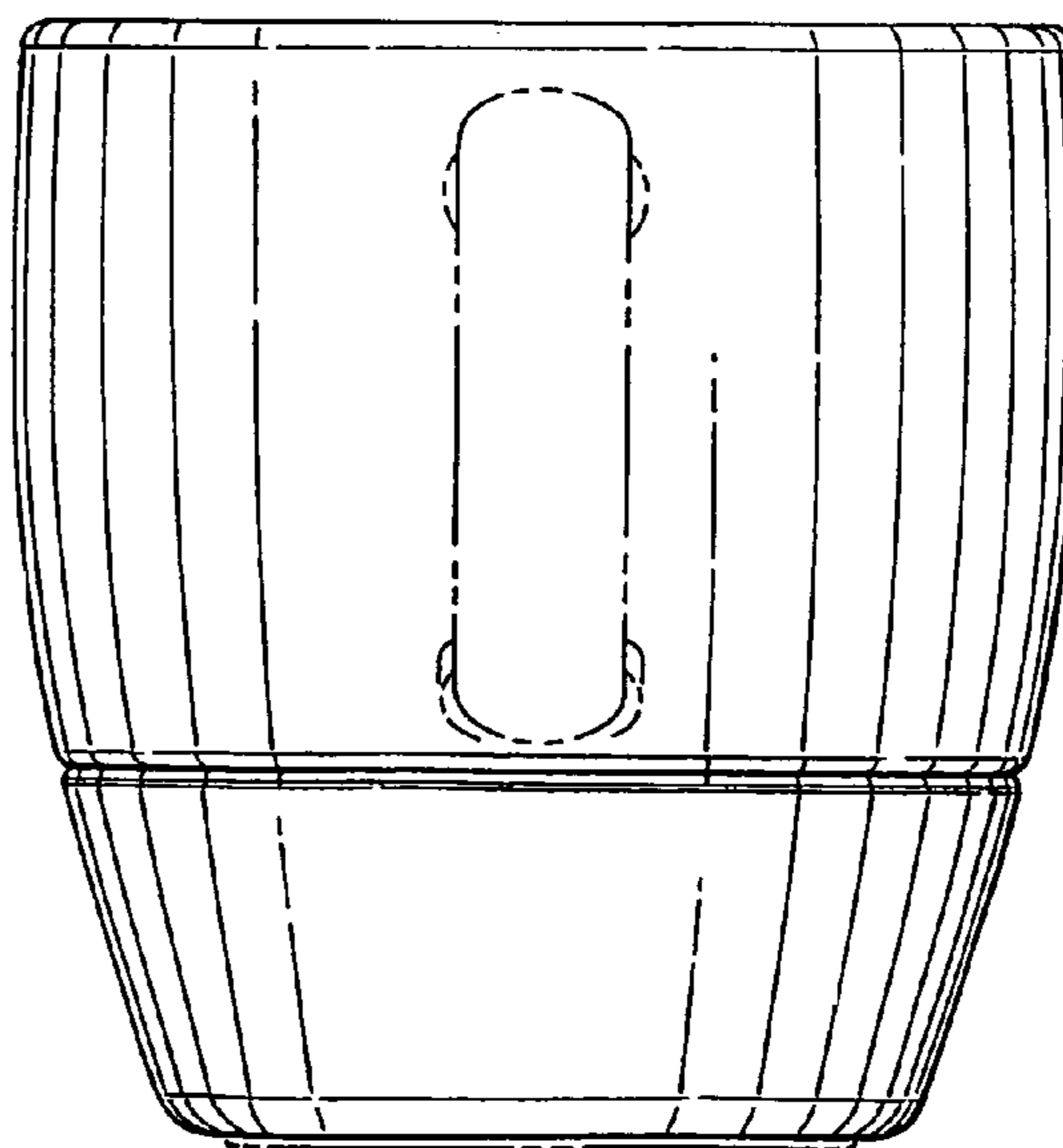


FIG. 10

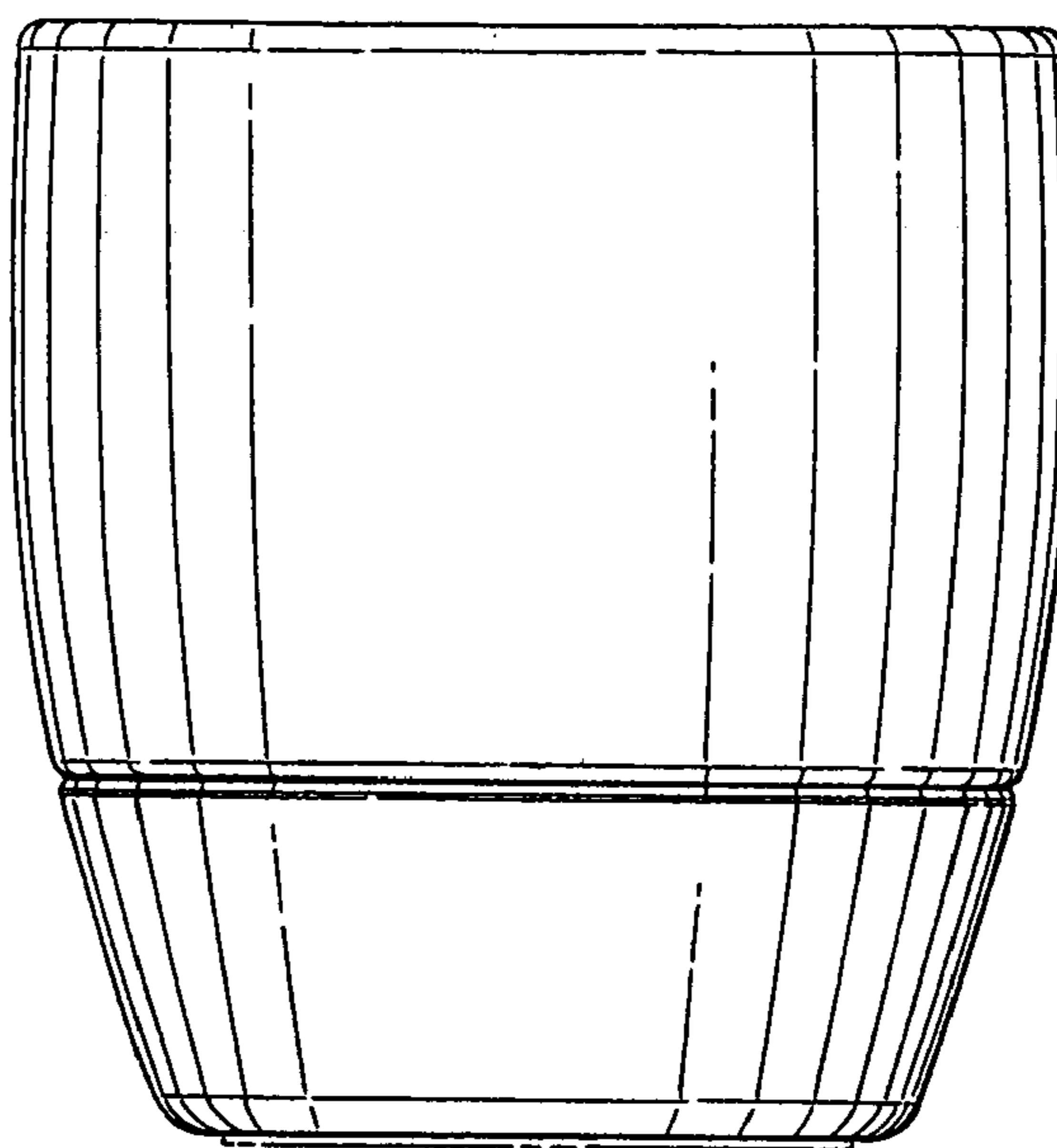


FIG. 11

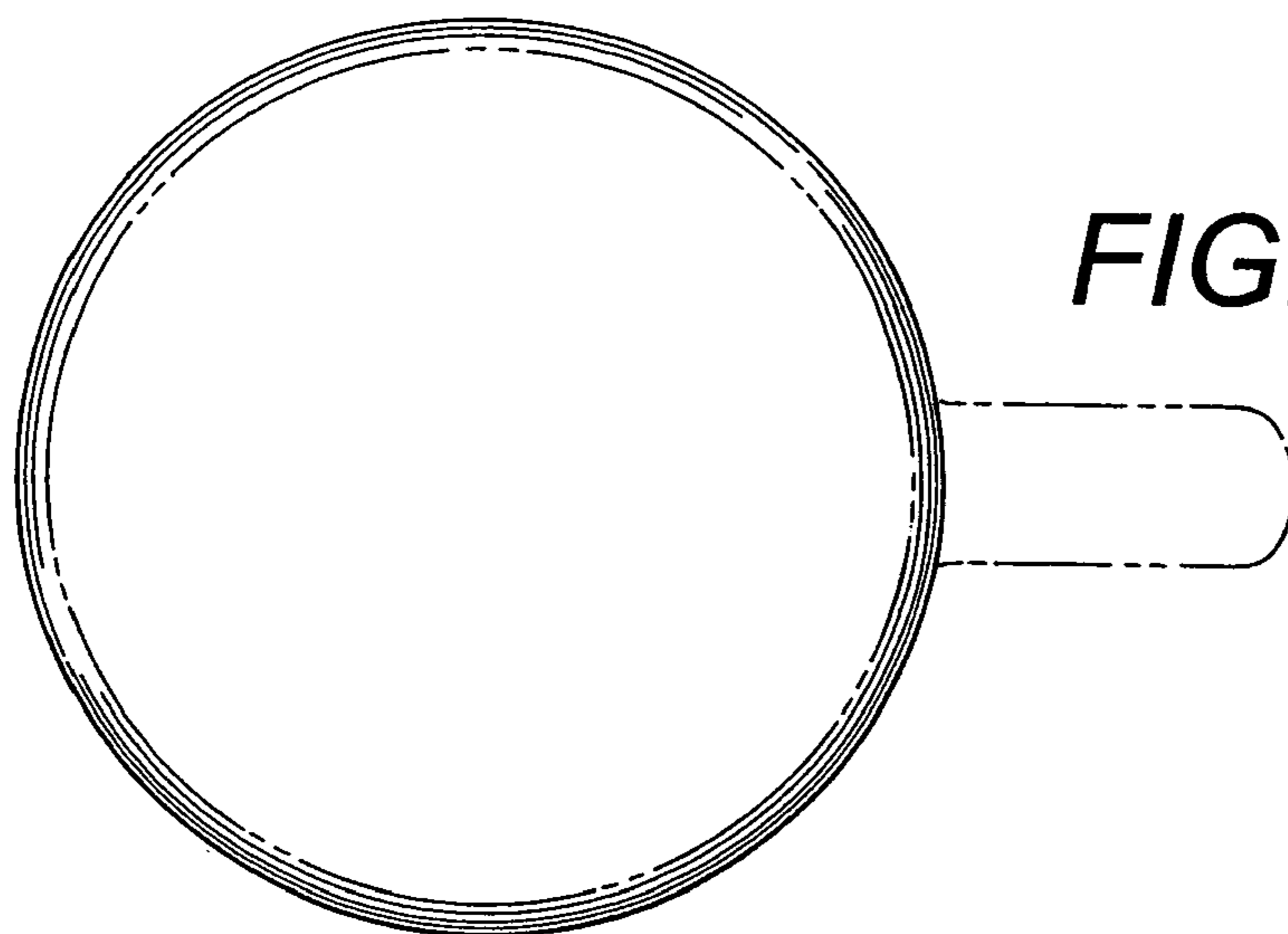


FIG. 12

