



US00D557074S

(12) **United States Design Patent**
Bardolet

(10) **Patent No.:** **US D557,074 S**

(45) **Date of Patent:** **** Dec. 11, 2007**

(54) **DRINKING CUP**

(75) Inventor: **Jesús Bardolet**, Barcelona (ES)

(73) Assignee: **Bardolet & Co., S.L.**, Barcelona (ES)

(**) Term: **14 Years**

(21) Appl. No.: **29/256,502**

(22) Filed: **Mar. 21, 2006**

(51) **LOC (8) Cl.** **07-01**

(52) **U.S. Cl.** **D7/523; D7/509**

(58) **Field of Classification Search** D7/392-394,
D7/509-511, 523, 531-533, 536, 605, 608,
D7/619.1, 622, 624.2; 215/382, 384, 386-388,
215/392, 394, 396, 398, DIG. 7; 220/62.12,
220/592.17, 669, 696, 710, 710.5, 711, 713,
220/715, 719, 739

See application file for complete search history.

(56) **References Cited**

U.S. PATENT DOCUMENTS

- D122,691 S * 9/1940 Nicholson D7/530
- 3,137,431 A * 6/1964 Crouse et al. 229/400
- D215,328 S * 9/1969 Fera D7/622
- D220,845 S * 6/1971 Mascetti D7/533
- D239,151 S * 3/1976 Halmstad D7/523
- D239,358 S * 3/1976 Kjellquist D7/523
- D282,331 S * 1/1986 Pozzi D7/509

- D287,920 S * 1/1987 Lanier D7/624.2
- 4,854,474 A * 8/1989 Murray et al. 220/1.5
- D319,755 S * 9/1991 Guy D7/536
- D340,385 S * 10/1993 Durand D7/509
- D390,417 S * 2/1998 Hsu D7/509
- D424,377 S * 5/2000 Wyche D7/523
- D440,466 S * 4/2001 Lillelund et al. D7/523
- 6,290,123 B1 * 9/2001 Pei 229/117
- D464,879 S * 10/2002 Meeker et al. D9/424
- D484,365 S * 12/2003 Wyche D7/587
- 2002/0070223 A1 * 6/2002 Elvin-Jensen et al. 220/669

* cited by examiner

Primary Examiner—T. Chase Nelson

Assistant Examiner—Karen Acker

(74) *Attorney, Agent, or Firm*—RatnerPrestia

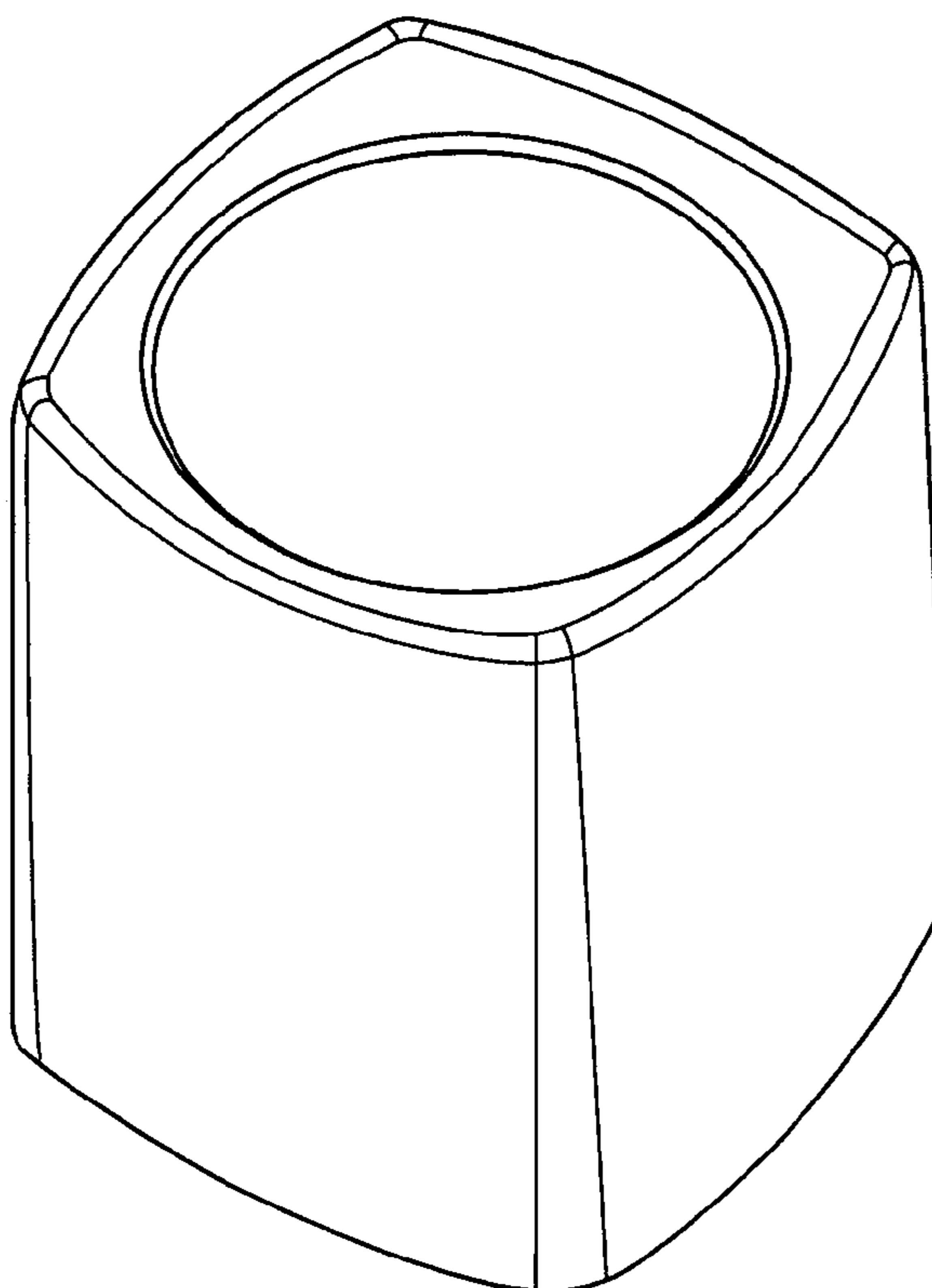
(57) **CLAIM**

The ornamental design for a drinking cup, as shown and described.

DESCRIPTION

FIG. 1 is a perspective view of my new design;
FIG. 2 is a side view of my new design;
FIG. 3 is a top view of my new design; and,
FIG. 4 is a cross-sectional side view taken along line 4—4
of FIG. 3 of my new design.

1 Claim, 4 Drawing Sheets



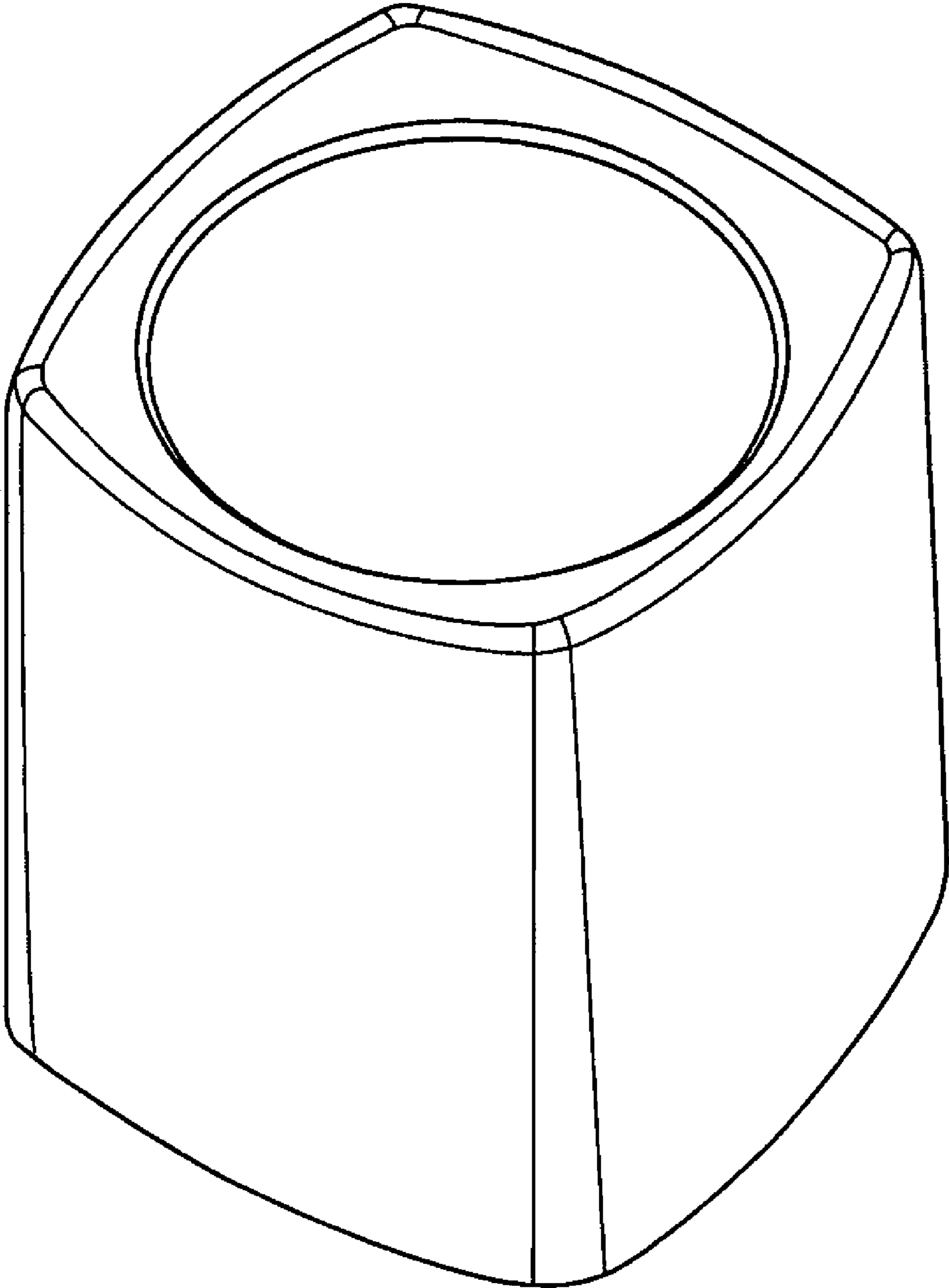


FIG. 1

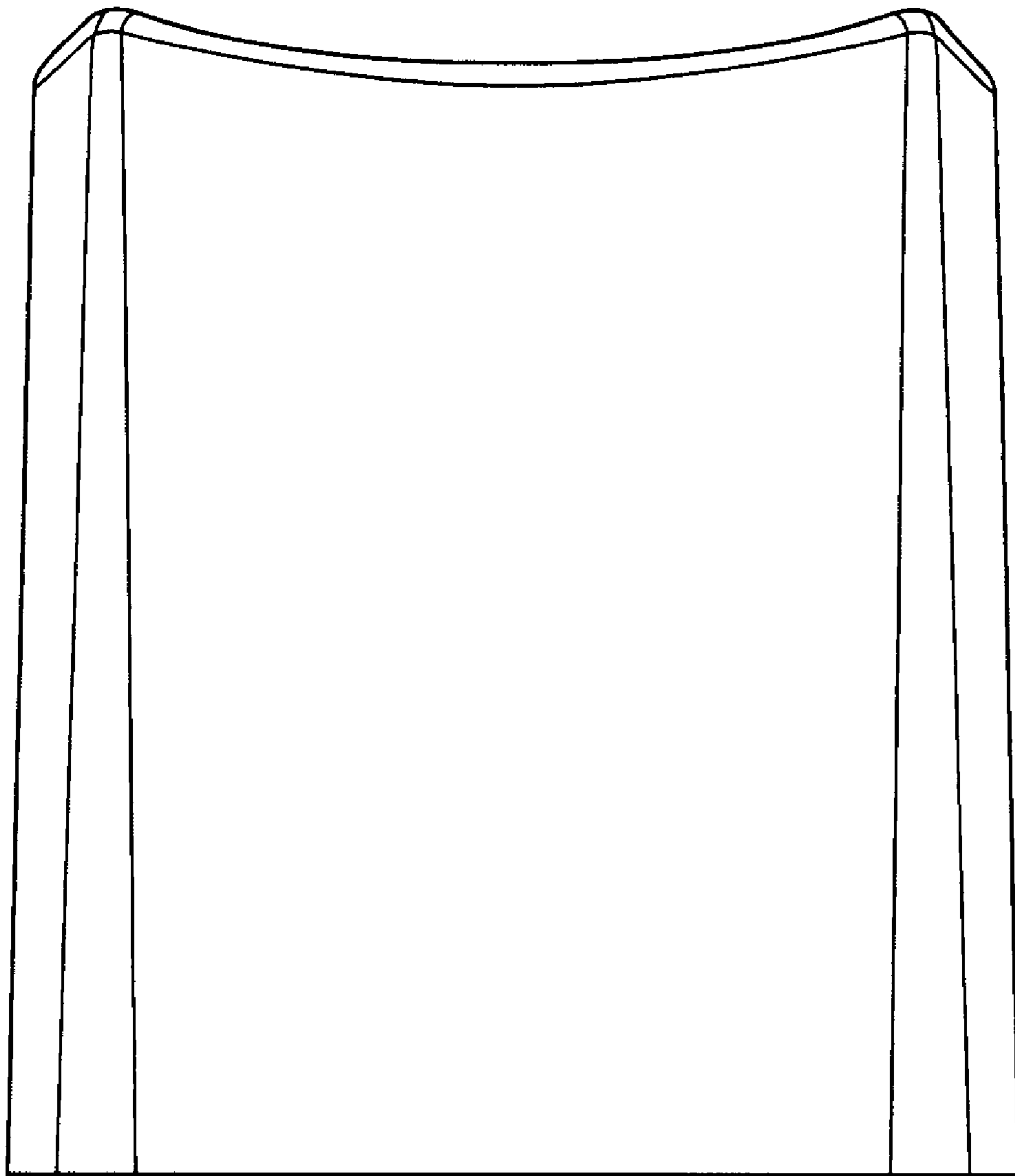


FIG. 2

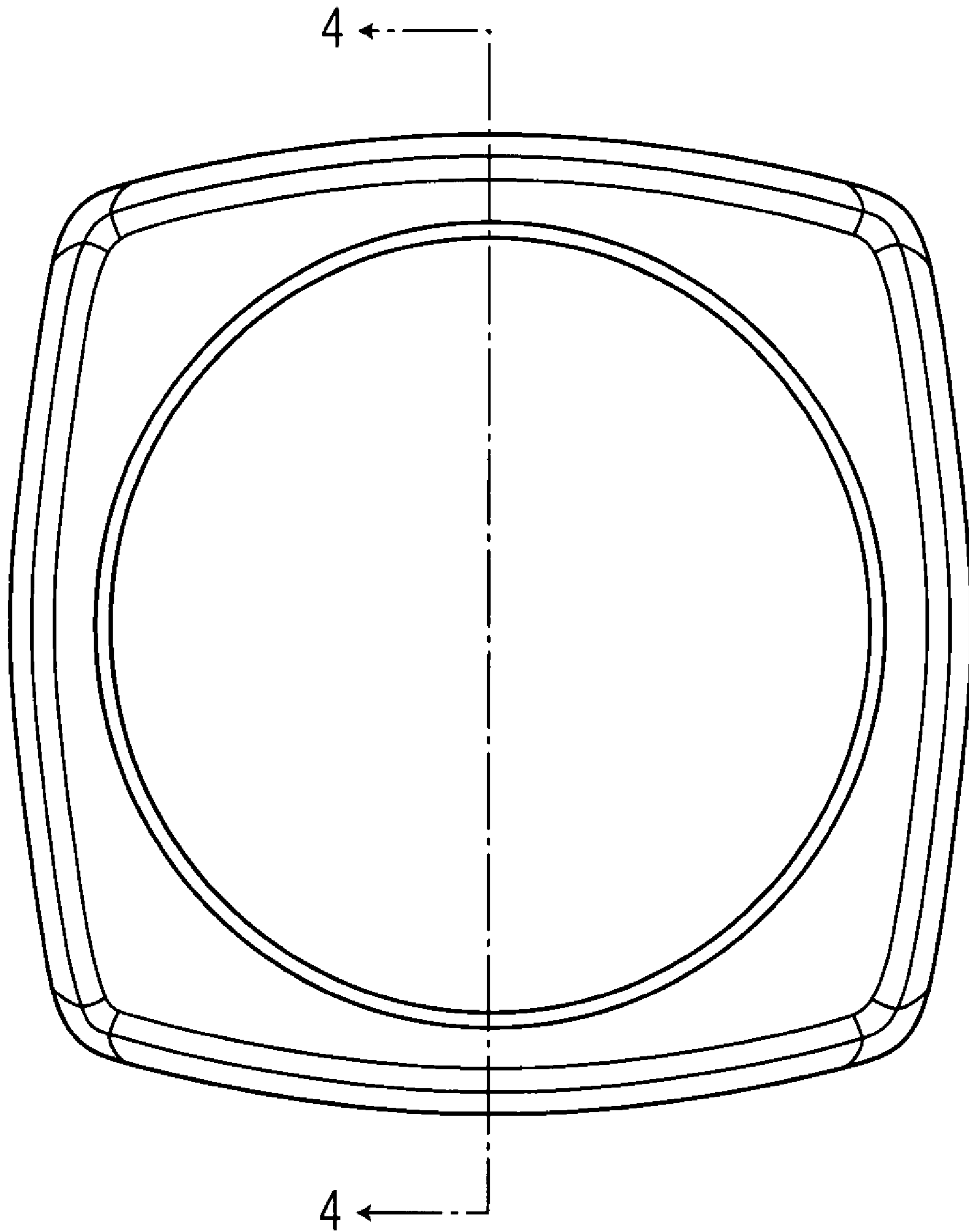


FIG. 3

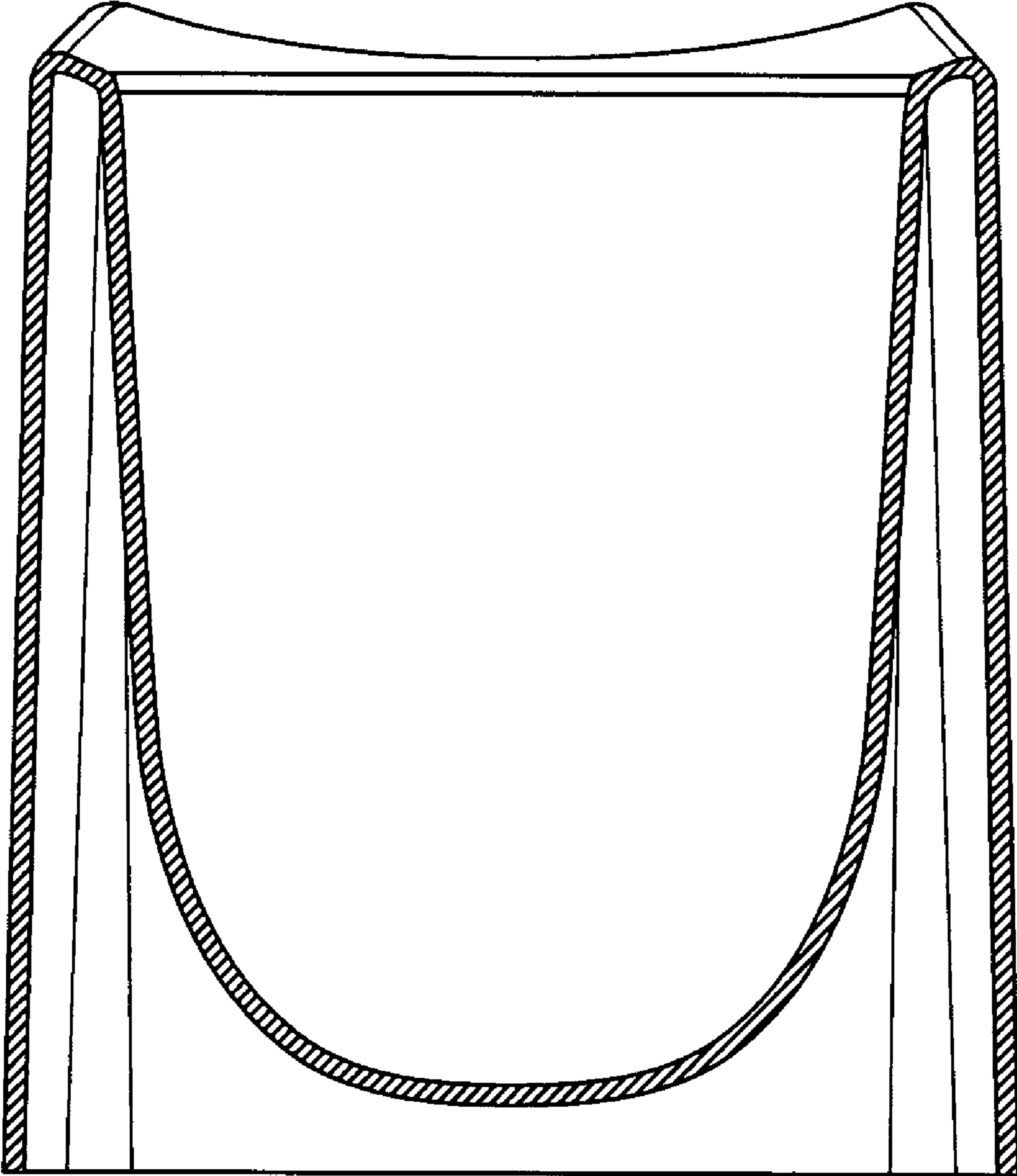


FIG. 4