



US00D557072S

(12) **United States Design Patent**
Lim

(10) **Patent No.:** **US D557,072 S**

(45) **Date of Patent:** **** Dec. 11, 2007**

(54) **CUP HOLDER FOR A PLATE**

(76) Inventor: **Meng Koay Lim**, 2 Lefferts Pl., Coram,
NY (US) 11727

(**) Term: **14 Years**

(21) Appl. No.: **29/259,094**

(22) Filed: **May 2, 2006**

(51) **LOC (8) Cl.** **07-01**

(52) **U.S. Cl.** **D7/505; D7/552.1; D7/701**

(58) **Field of Classification Search** **D7/505,**
D7/550.1, 552.1, 552.2, 554.1, 554.2, 557,
D7/558; 215/395; 229/400, 904; 248/311.2;
220/574, 575, 737-739, 23.86, 23.8, 23.84,
220/62.12-62.14

See application file for complete search history.

(56) **References Cited**

U.S. PATENT DOCUMENTS

2,920,804	A *	1/1960	Minton	229/400
D211,532	S *	6/1968	Ashton	D7/553.8
D286,250	S *	10/1986	Prescott	D7/557
D297,799	S *	9/1988	Hammer	D7/507
D303,194	S *	9/1989	Darby et al.	D7/507
5,249,700	A *	10/1993	Dumke	220/574
5,292,028	A *	3/1994	Patterson et al.	220/574

D363,644	S *	10/1995	Wyatt et al.	D7/553.6
D389,020	S *	1/1998	LaJoie	D7/701
6,138,860	A *	10/2000	Comeaux	220/574
D507,933	S *	8/2005	Carmichael	D7/505
D526,851	S *	8/2006	Groff et al.	D7/552.1

* cited by examiner

Primary Examiner—Terry A Wallace

(74) *Attorney, Agent, or Firm*—Richard D. Ratchford Jr.; F.
Chau & Associates, LLC

(57) **CLAIM**

The ornamental design for a cup holder for a plate, substantially as shown and described.

DESCRIPTION

FIG. 1 is a perspective view of the cup holder for a plate in accordance with the present invention;

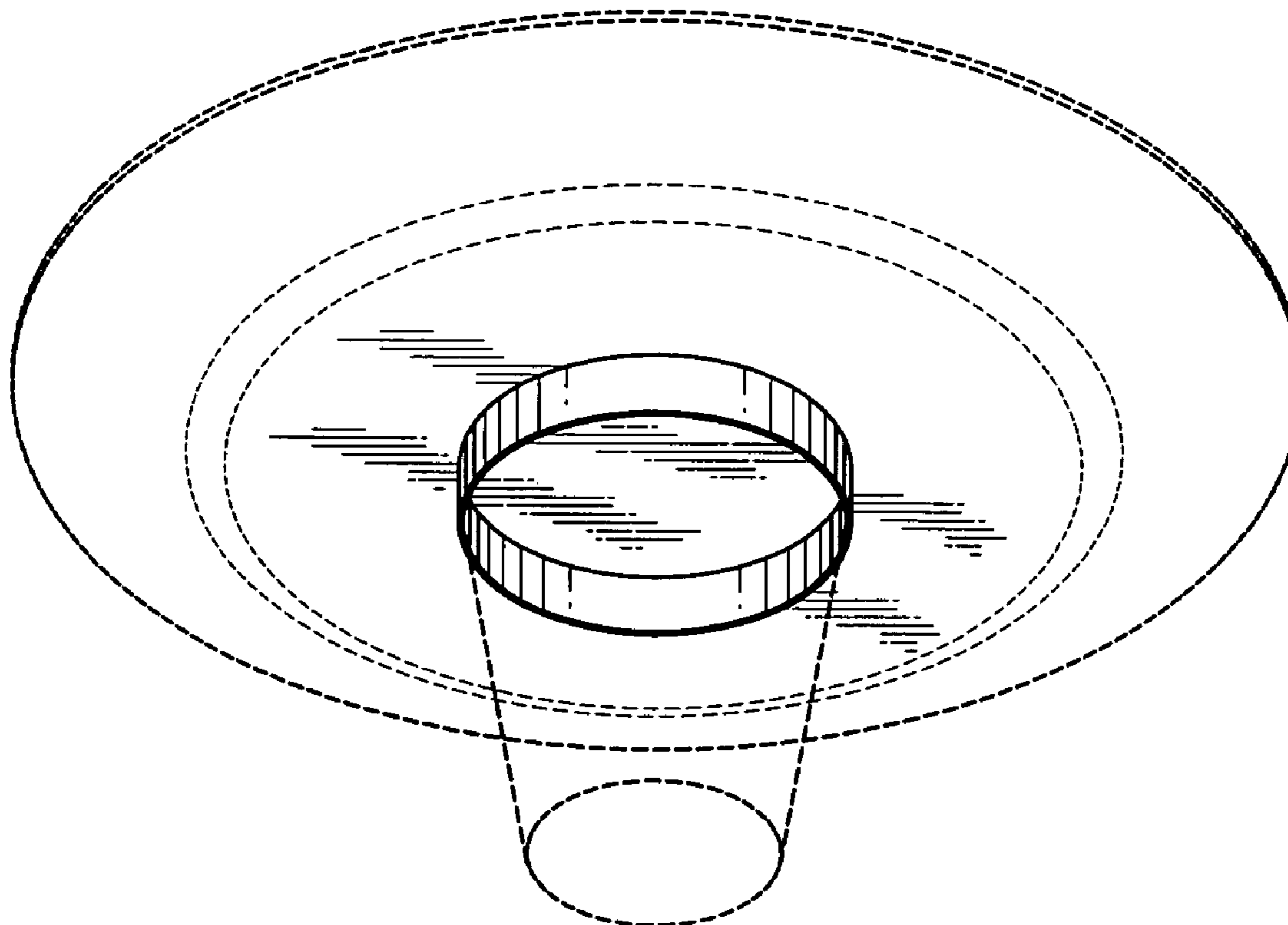
FIG. 2 is a side view thereof;

FIG. 3 is a bottom view thereof; and,

FIG. 4 is a top view thereof.

The broken lines shown in the Figures are for illustrative purposes as an environment and form no part of the claimed design.

1 Claim, 2 Drawing Sheets



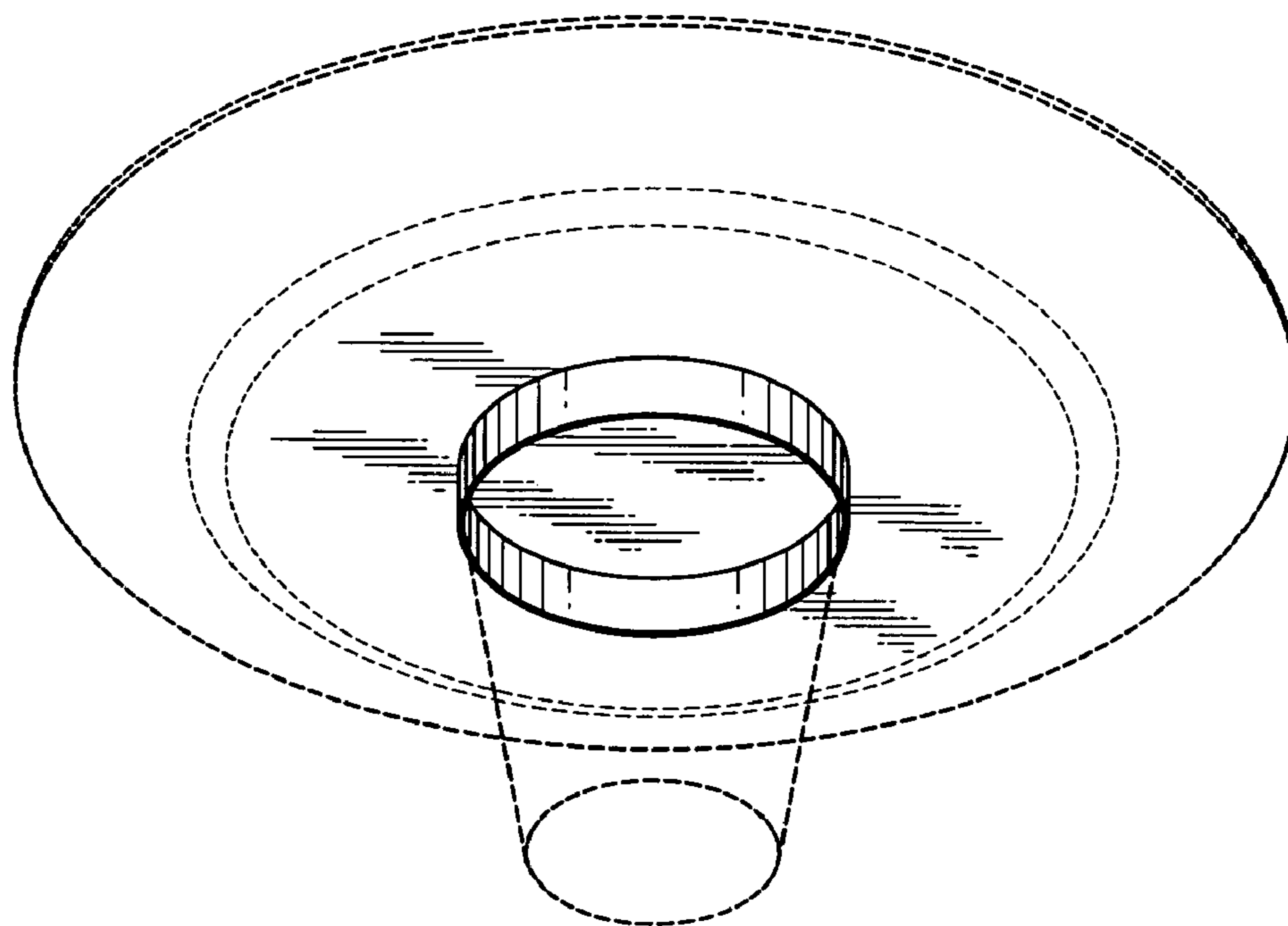


FIG. 1

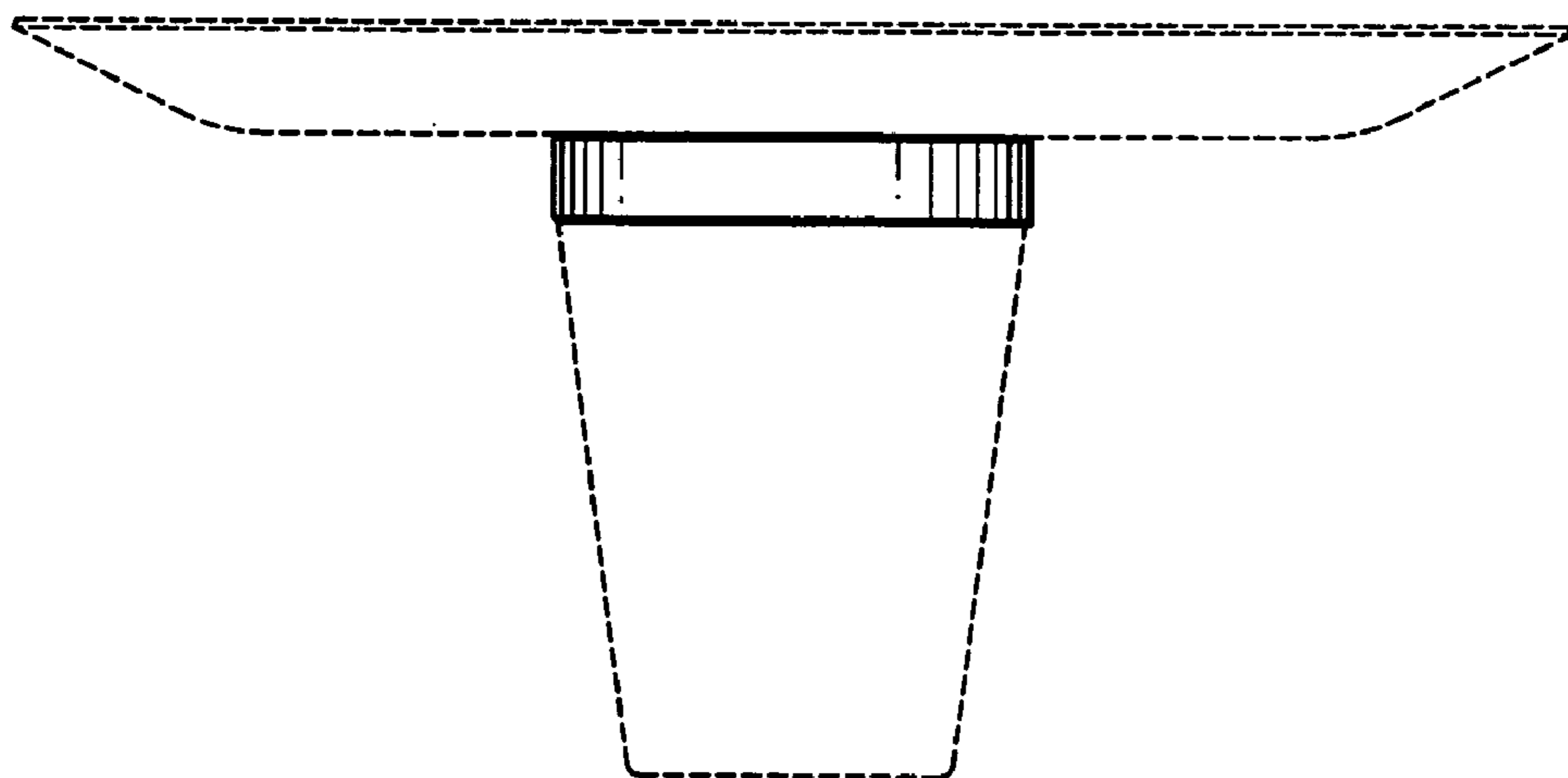


FIG. 2

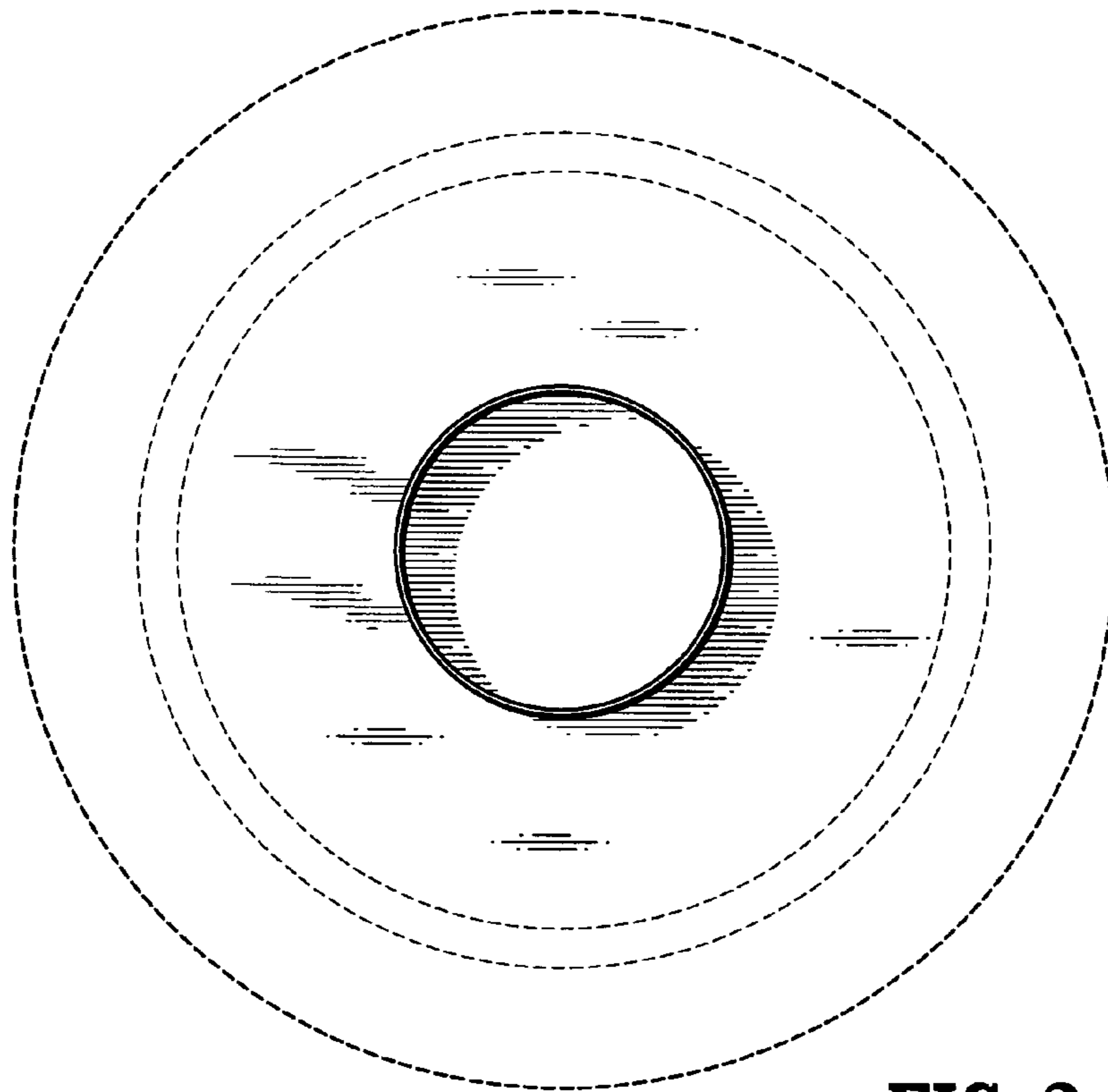


FIG. 3

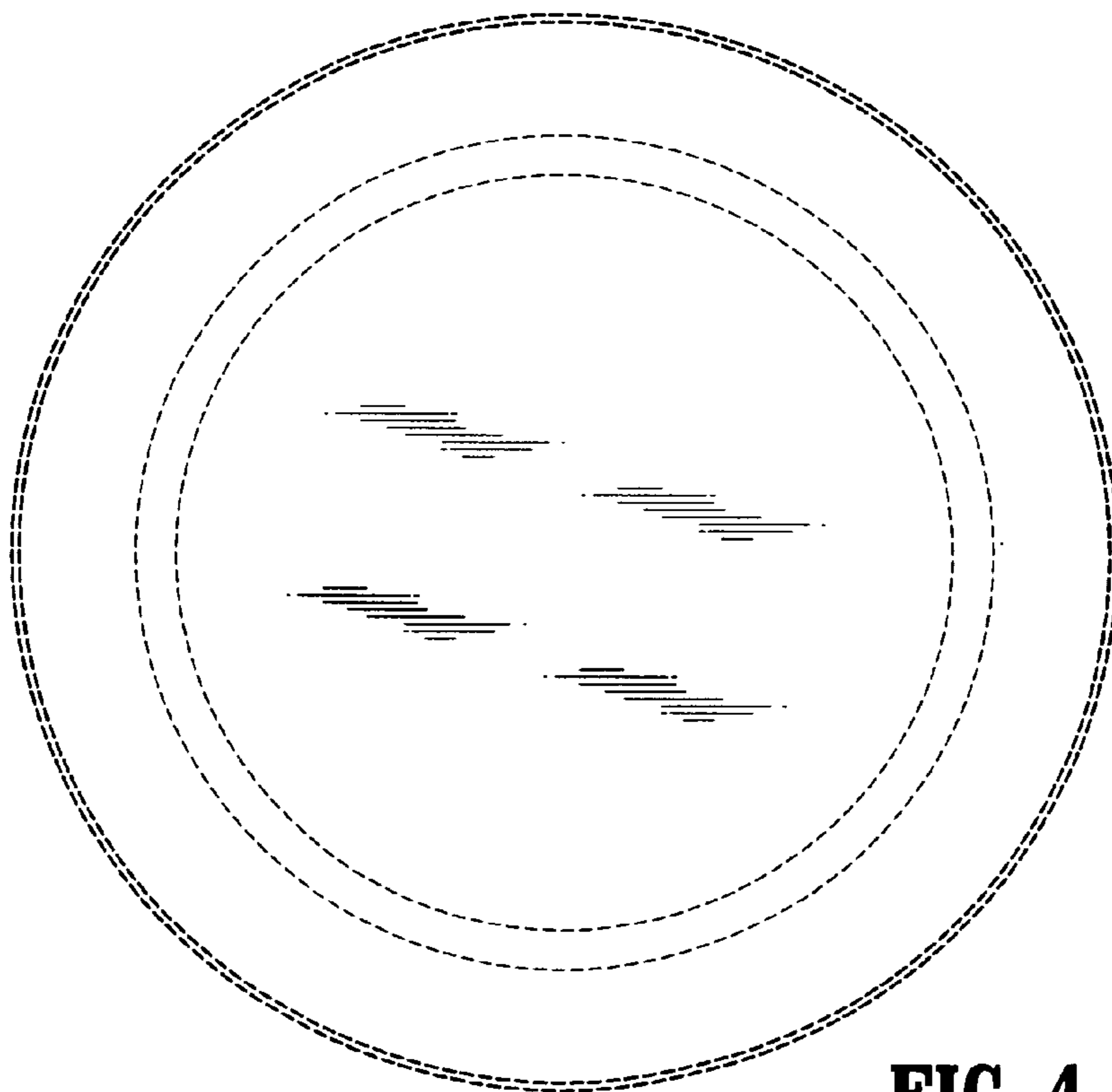


FIG. 4