



US00D557070S

(12) **United States Design Patent**
Measom

(10) **Patent No.:** **US D557,070 S**

(45) **Date of Patent:** **** Dec. 11, 2007**

(54) **FOWL SUPPORT FOR ROASTING PAN**

D525,471 S * 7/2006 Measom D7/323

(75) Inventor: **S. Ty Measom**, Logan, UT (US)

(73) Assignee: **Logan Outdoor Products, LLC**,
Logan, UT (US)

(**) Term: **14 Years**

(21) Appl. No.: **29/262,403**

(22) Filed: **Jun. 30, 2006**

(51) **LOC (8) Cl.** **07-02**

(52) **U.S. Cl.** **D7/409**

(58) **Field of Classification Search** D7/323,
D7/354-361, 387, 409; 99/345-347, 422-427,
99/421 A, 421 HH, 421 H, 421 R, 449, 450;
211/85.4, 181; 220/573.1, 485, 491-494,
220/752, 759, 769, 912; 426/132, 523
See application file for complete search history.

(56) **References Cited**

U.S. PATENT DOCUMENTS

1,339,625	A *	5/1920	Holloway	99/346
5,575,198	A *	11/1996	Lowery	99/426
6,062,131	A *	5/2000	Holland	99/345
6,119,585	A *	9/2000	Guidry	99/345
6,192,792	B1 *	2/2001	Gremillion	99/426
6,265,004	B1 *	7/2001	Cagle	426/132
6,349,632	B1 *	2/2002	Beck, Jr.	99/345
6,467,399	B1 *	10/2002	Boutte	99/347
6,502,501	B1 *	1/2003	Simon	99/345
6,502,503	B1 *	1/2003	Bell et al.	99/419
6,503,551	B1 *	1/2003	Hester	426/523
7,063,007	B2 *	6/2006	Citrynell et al.	99/347

OTHER PUBLICATIONS

Clever Gear Holiday 2005, p. 35 Item CM-53239 Turkey Cannon.*

* cited by examiner

Primary Examiner—Caron D. Veynar

Assistant Examiner—Ricky Pham

(74) *Attorney, Agent, or Firm*—Harris Zimmerman

(57) **CLAIM**

The ornamental design for a fowl support for roasting pan, as shown and described.

DESCRIPTION

FIG. 1 is a perspective view of a fowl support for roasting pan showing my new design.

FIG. 2 is an exploded perspective view of the fowl support separated from the end portion of the roasting pan.

FIG. 3 is a top plan view thereof, shown separately for ease of illustration;

FIG. 4 is a front view thereof;

FIG. 5 is a rear view thereof;

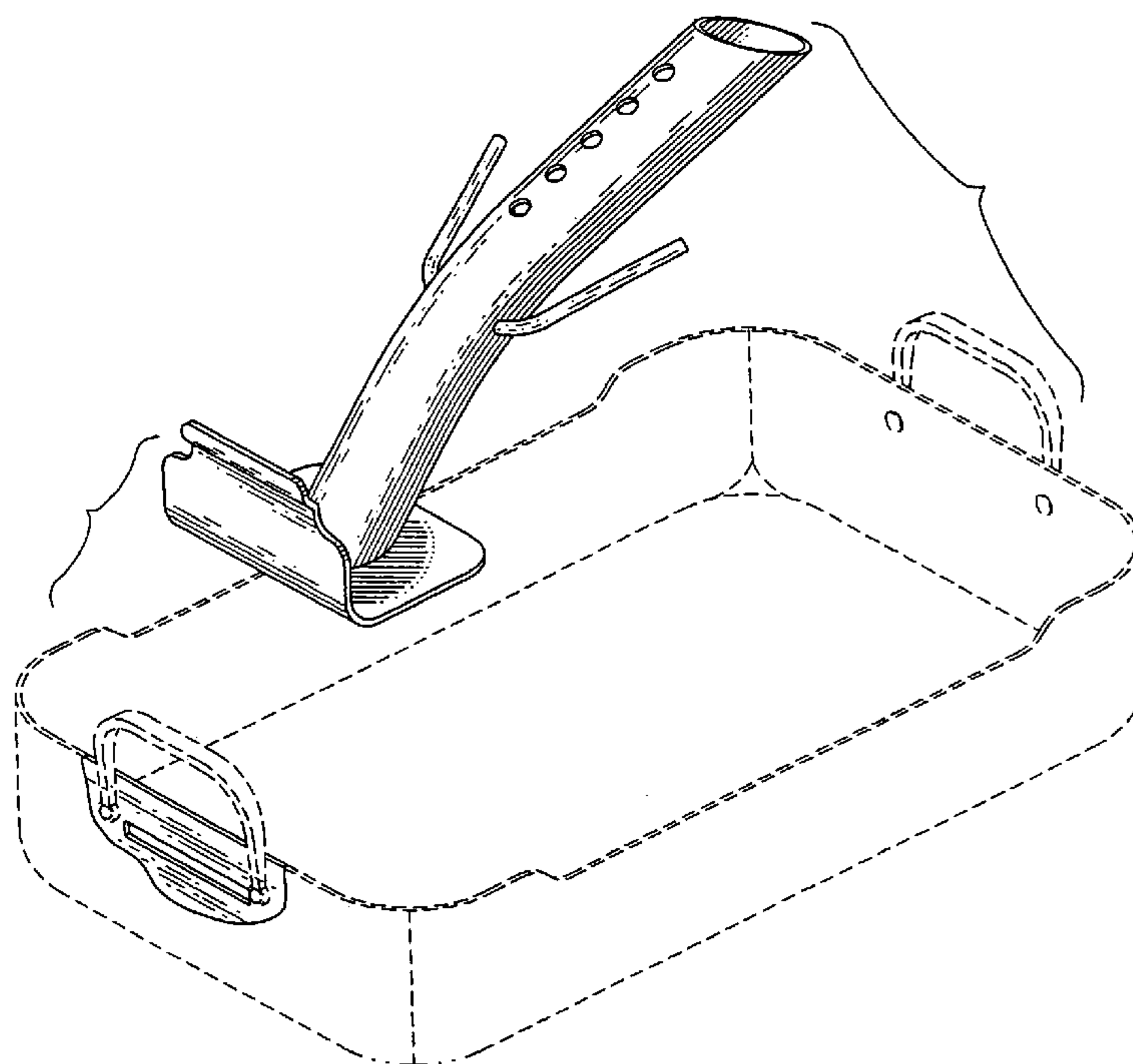
FIG. 6 is a bottom view thereof;

FIG. 7 is a left side view thereof, the right side view being a mirror image; and,

FIG. 8 is a partial end view of the roasting pan, shown separately for ease of illustration.

The broken lines shown in the drawings are for illustrative purposes only and form no part of the claimed design.

1 Claim, 3 Drawing Sheets



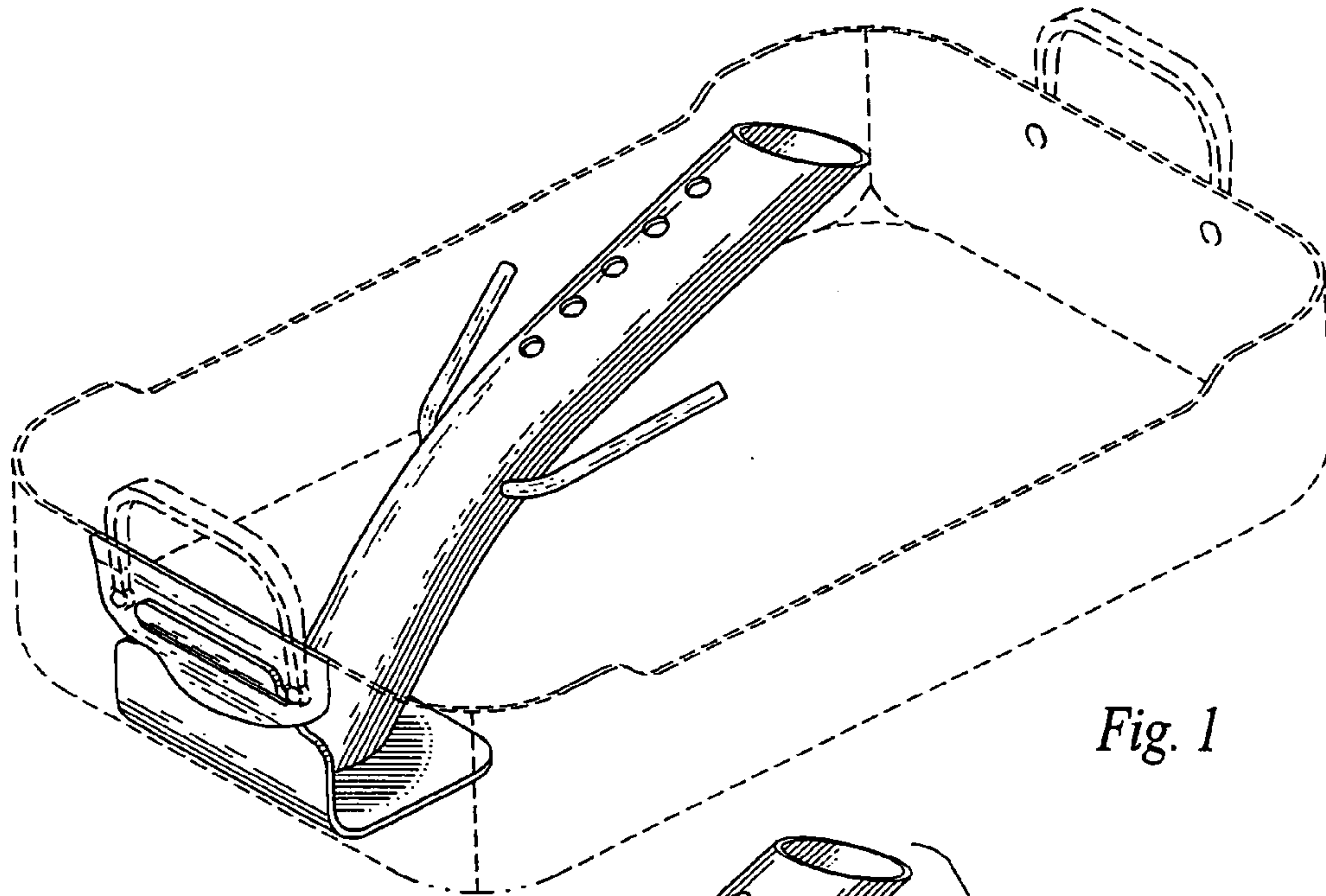


Fig. 1

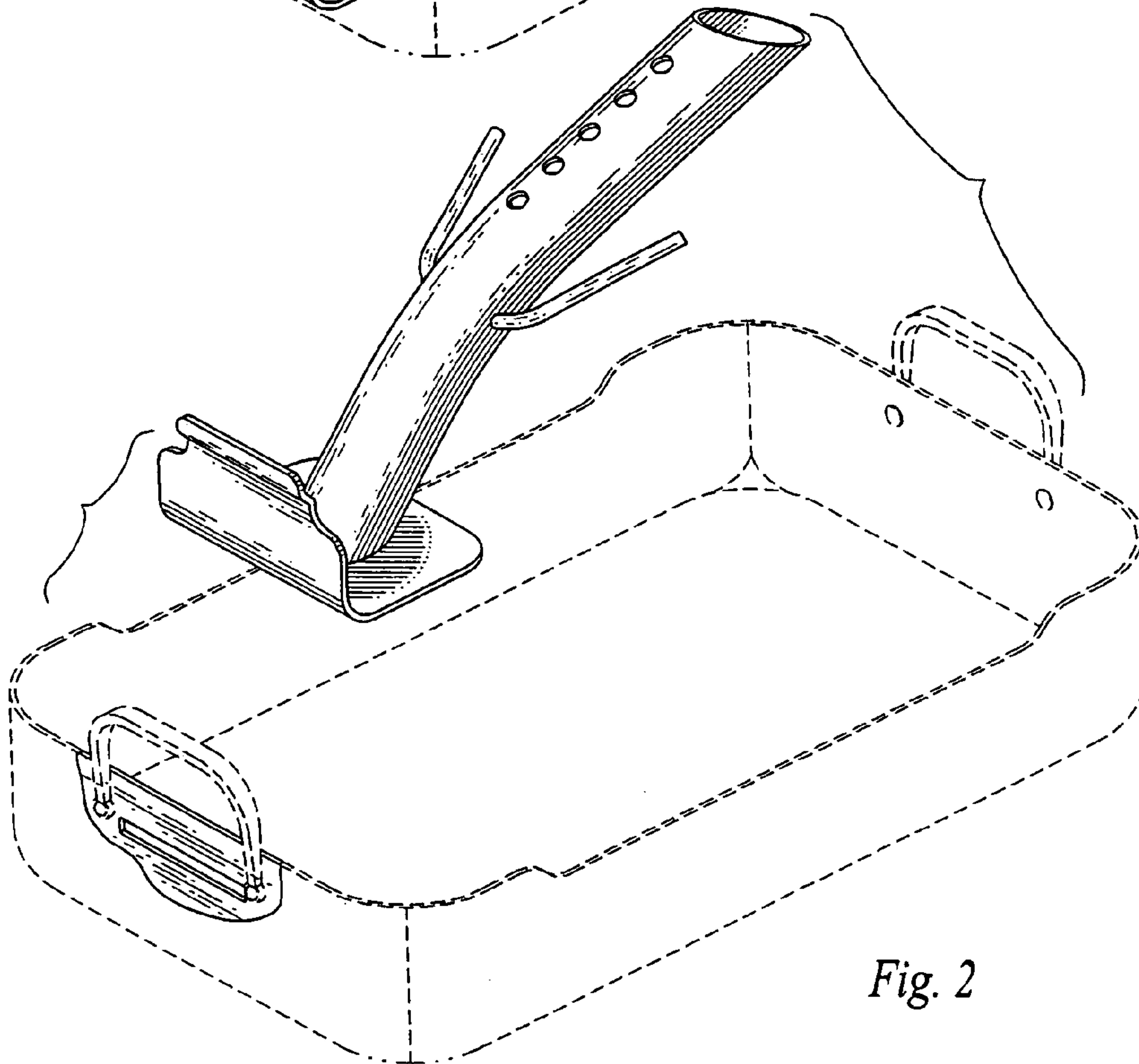


Fig. 2

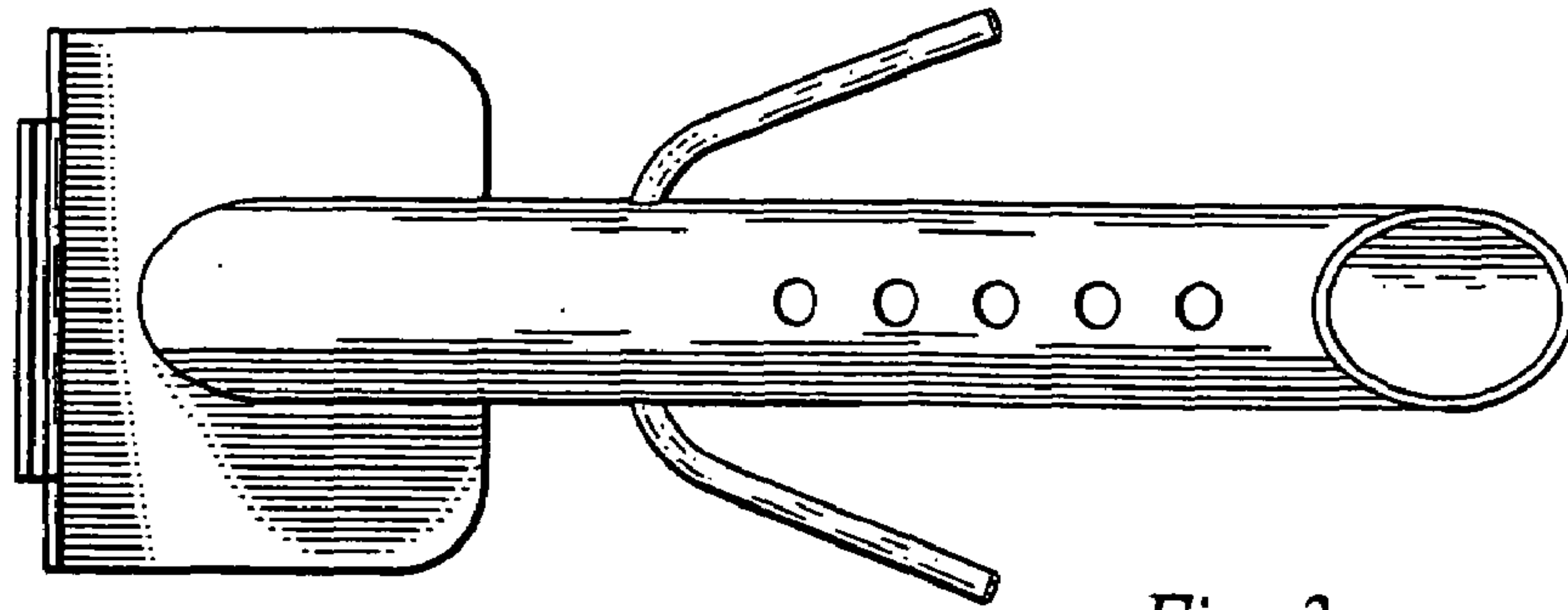


Fig. 3

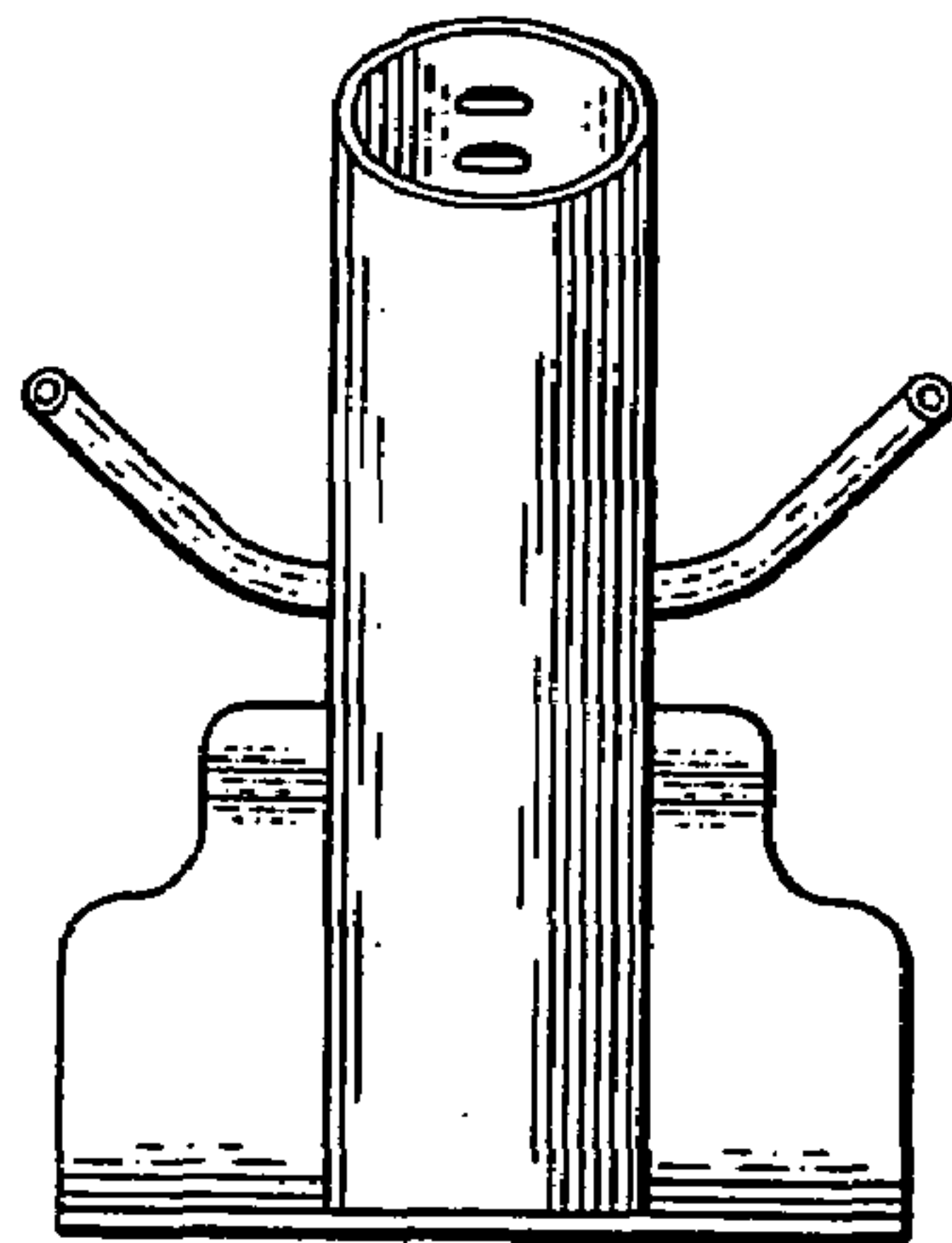


Fig. 4

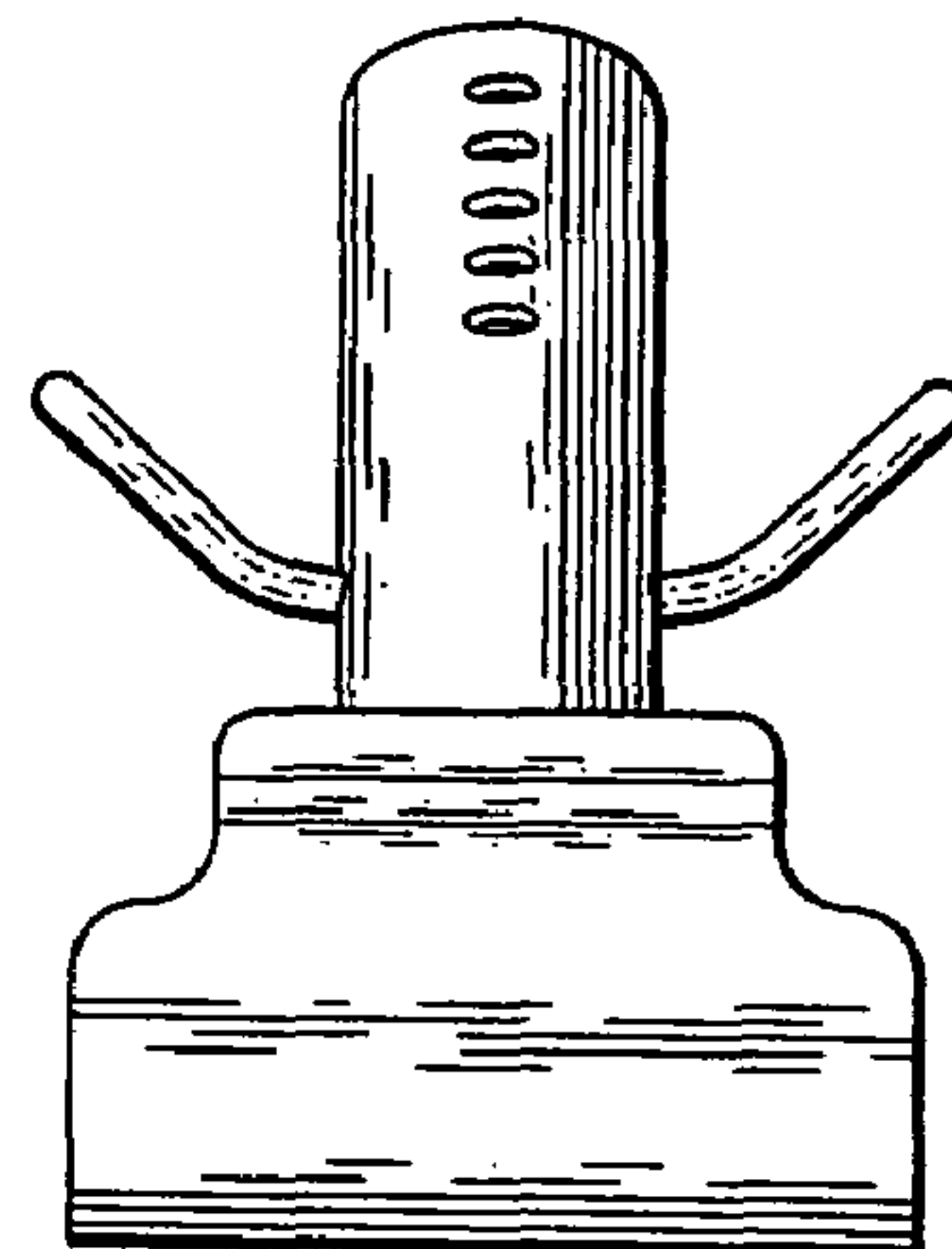


Fig. 5

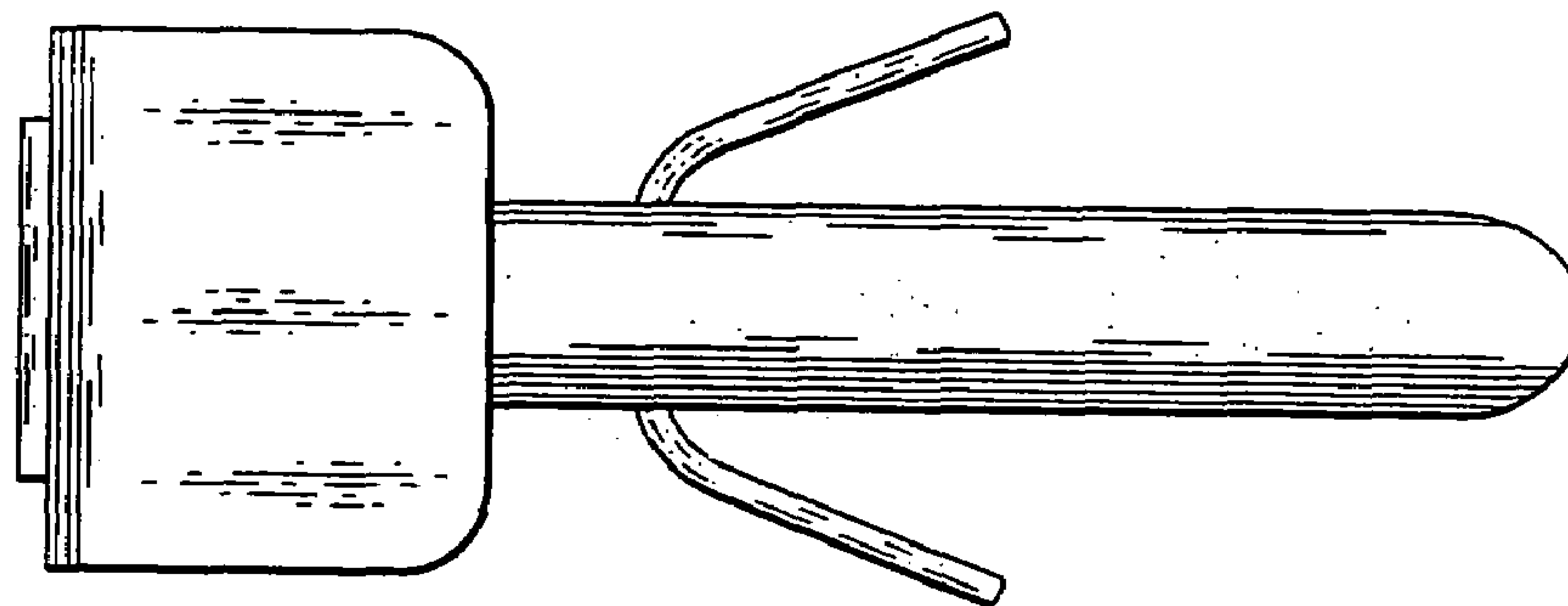


Fig. 6

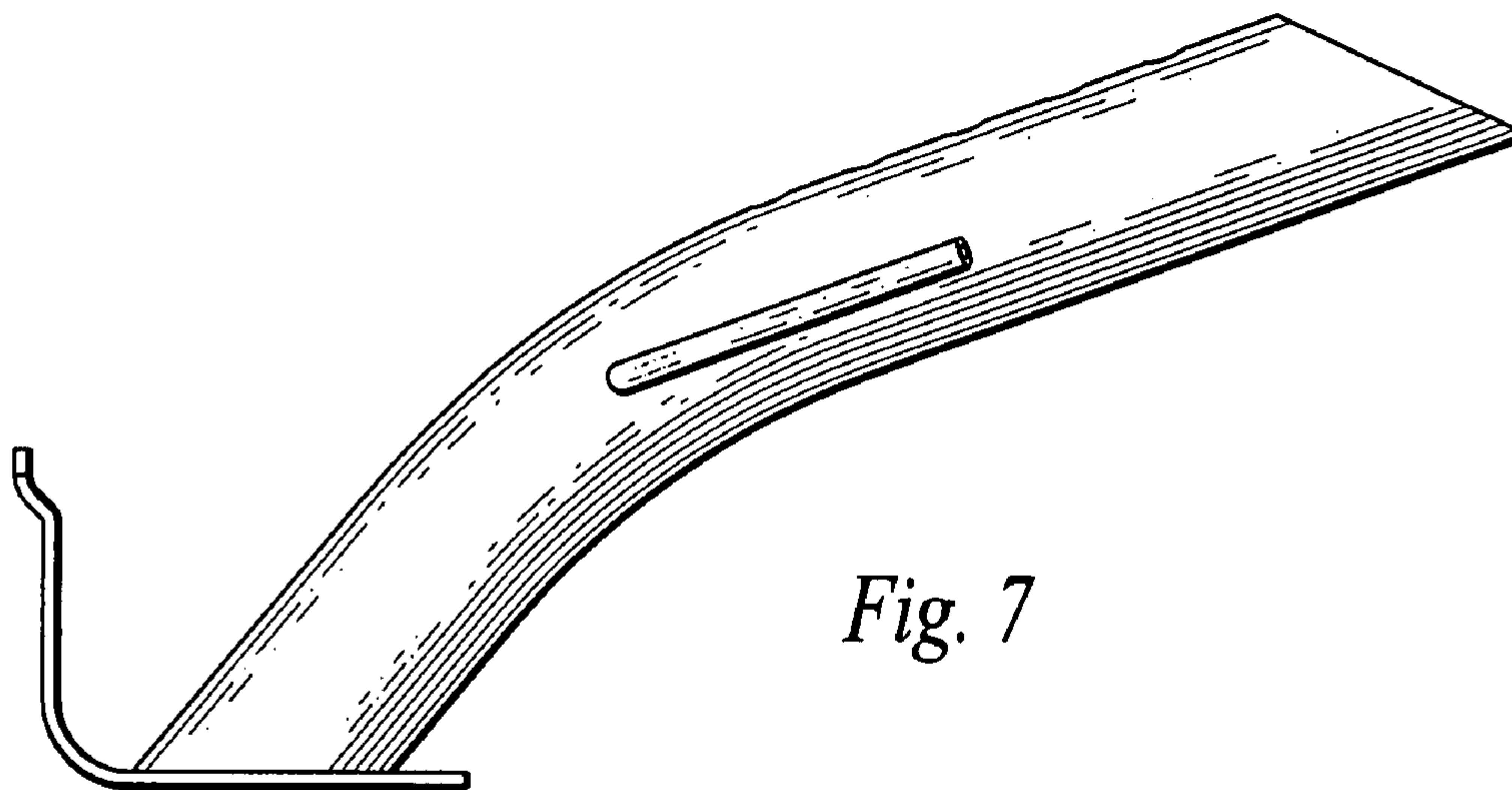


Fig. 7

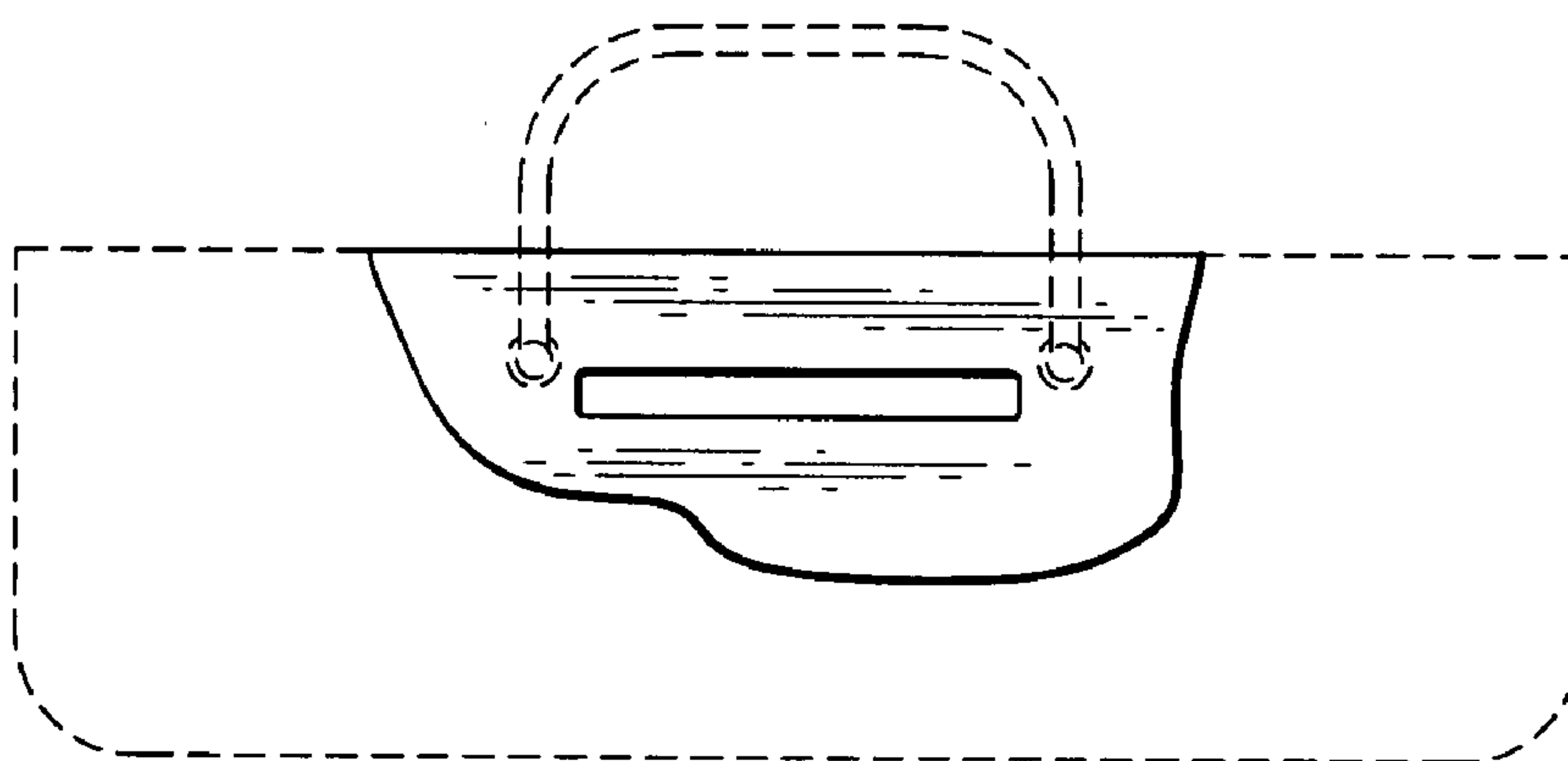


Fig. 8