



US00D557065S

(12) **United States Design Patent**
Levy et al.

(10) **Patent No.:** **US D557,065 S**

(45) **Date of Patent:** **** Dec. 11, 2007**

(54) **HANDLE FOR COOKWARE**

(75) Inventors: **David Eric Levy**, Chicago, IL (US);
Deni Crescenzi, Toronto (CA)

(73) Assignee: **WKI Holding Company, Inc.**,
Rosemont, IL (US)

(**) Term: **14 Years**

(21) Appl. No.: **29/251,792**

(22) Filed: **Jan. 12, 2006**

(51) **LOC (8) Cl.** **07-02**

(52) **U.S. Cl.** **D7/393**

(58) **Field of Classification Search** D7/354-361,
D7/393-395, 401.2; D8/107, 307; D4/138,
D4/129; 16/430, 431, 110.1, 407; 220/573.1-573.5,
220/752, 753, 755, 756, 912

See application file for complete search history.

(56) **References Cited**

U.S. PATENT DOCUMENTS

2,073,475 A	3/1937	Gordon
2,092,198 A	9/1937	Anderson
2,431,808 A	12/1947	Kluit
2,450,193 A	9/1948	Galliano
2,609,563 A	9/1952	Budelman
4,653,468 A	3/1987	Lemme et al.
D293,646 S	1/1988	Rigoli
D297,902 S	10/1988	Ryan
D298,404 S	11/1988	Lemme et al.
D314,490 S	2/1991	Elie
D320,125 S	9/1991	Hacker
D331,171 S	11/1992	Berthet
D335,241 S	5/1993	Babin, Jr.
D337,694 S	7/1993	Hacker et al.
D342,864 S	1/1994	Schmidt
D344,430 S	2/1994	Raoult
D344,431 S	2/1994	Welch
D344,432 S	2/1994	Welch
D344,433 S	2/1994	Philippe
D347,967 S	6/1994	Munari

D348,178 S	6/1994	Munari
D348,179 S	6/1994	Lim et al.
D348,799 S	7/1994	Munari
D369,273 S	4/1996	Munari
D369,718 S	5/1996	Rohrer
D373,505 S	9/1996	Chan
D377,581 S	1/1997	Rohrer
D382,768 S	8/1997	Berner
D382,770 S	8/1997	Raoult
D384,243 S	9/1997	Nicollet
D391,443 S	3/1998	Candianides
D391,444 S	3/1998	Munari
D392,151 S	3/1998	Munari

(Continued)

Primary Examiner—Holly H. Baynham

Assistant Examiner—Cynthia M. Chin

(74) *Attorney, Agent, or Firm*—McDermott Will & Emery
LLP

(57) **CLAIM**

We claim the ornamental design for a handle for cookware,
as shown and described.

DESCRIPTION

FIG. 1 is a perspective view of a handle for cookware
according to the new design;

FIG. 2 is a left side view of the handle for cookware shown
in FIG. 1, the right side view being identical thereto;

FIG. 3 is a top view of the handle for cookware shown in
FIG. 1;

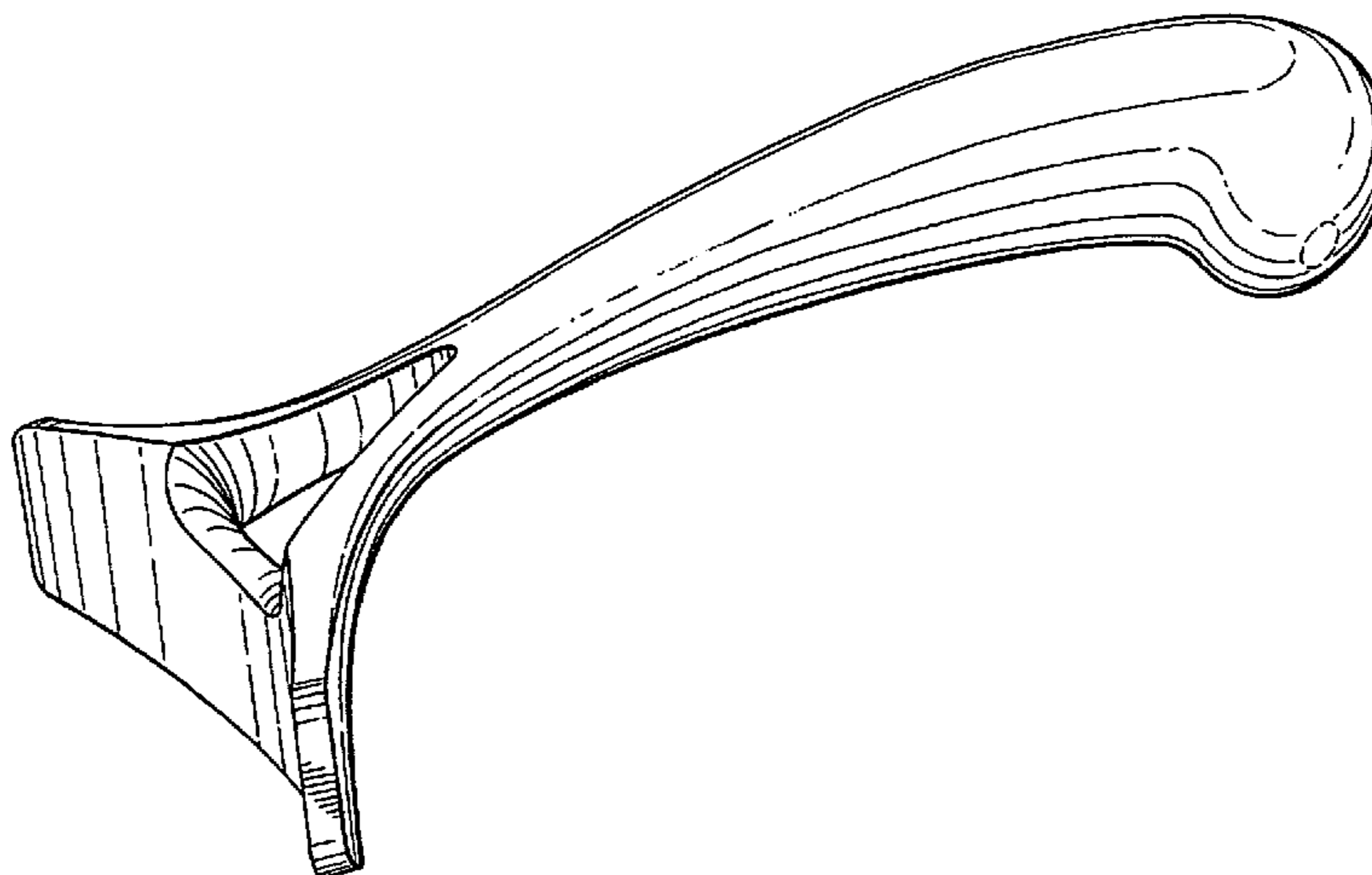
FIG. 4 is a bottom view of the handle for cookware shown
in FIG. 1;

FIG. 5 is a front end view of the handle for cookware shown
in FIG. 1; and,

FIG. 6 is a back end view of the handle for cookware shown
in FIG. 1.

The broken lines are for illustrative purposes only and form
no part of the claimed design.

1 Claim, 2 Drawing Sheets



US D557,065 S

Page 2

U.S. PATENT DOCUMENTS

D394,186 S	5/1998	Dodane	D470,010 S	2/2003	Hamman
D395,376 S	6/1998	Montgelard	D470,011 S	2/2003	Munari
D397,272 S	8/1998	Bell et al.	D477,180 S	7/2003	Burton et al.
D405,314 S	2/1999	Kroscher et al.	D477,967 S	8/2003	Burton et al.
5,867,867 A	2/1999	Kessler	D480,265 S	10/2003	Gronda
D407,600 S	4/1999	LoGiudice	D480,911 S	10/2003	Logiudice et al.
D410,817 S	6/1999	Brunianyn	D480,912 S	10/2003	Logiudice et al.
D412,641 S	8/1999	Schiffer	D482,233 S	11/2003	Rae
D416,437 S *	11/1999	Cheng D7/391	D482,234 S	11/2003	Rae
D417,121 S	11/1999	Brunianyn	D482,567 S	11/2003	Demers
D417,586 S	12/1999	Cheng	D482,568 S	11/2003	Demers et al.
D423,282 S	4/2000	Montgelard	D482,929 S	12/2003	Rae
D426,107 S *	6/2000	Cheng D7/393	D485,119 S	1/2004	Kight
D429,950 S *	8/2000	Yu et al. D7/395	D485,120 S	1/2004	Kight
D433,278 S	11/2000	LoGiudice	D489,937 S	5/2004	Erhardt et al.
D436,001 S	1/2001	Rae	D491,016 S	6/2004	Rae
D437,729 S	2/2001	Rae	D493,061 S	7/2004	Rae
D438,053 S	2/2001	Cheng	D493,349 S	7/2004	Tetreault et al.
D438,055 S	2/2001	Munari	D494,007 S	8/2004	Rae
D439,108 S	3/2001	LoGiudice	D494,412 S	8/2004	Prakasa
D440,463 S	4/2001	Groll	D494,808 S	8/2004	Thomkins
D442,025 S	5/2001	Rae	D496,219 S	9/2004	Rae
D442,026 S	5/2001	Rae	D497,514 S	10/2004	Goulart
D443,175 S	6/2001	Coudurier	D497,771 S	11/2004	Thomkins
D443,469 S	6/2001	Coudurier	D498,117 S	11/2004	Lorthioir
D444,347 S	7/2001	LoGiudice	D501,357 S	2/2005	Rae
D446,079 S	8/2001	Rae	D501,358 S	2/2005	LoGiudice et al.
D447,383 S	9/2001	Rae	D503,307 S	3/2005	Thomkins
D448,607 S	10/2001	Munari	D503,585 S	4/2005	Tetreault et al.
D457,386 S	5/2002	Coudurier	D506,666 S	6/2005	Tetreault et al.
D457,387 S	5/2002	Coudurier	D507,931 S	8/2005	Rae
D458,801 S	6/2002	Coudurier	D508,370 S	8/2005	Cuillery
D461,092 S	8/2002	Coudurier	D510,231 S	10/2005	Coudurier
D461,094 S	8/2002	Coudurier	D510,233 S	10/2005	Giannone
D461,095 S	8/2002	Coudurier	D511,068 S	11/2005	Coppi
D461,362 S	8/2002	Coudurier	D512,602 S *	12/2005	Spagnolo D7/395
D461,364 S	8/2002	Yen	D531,852 S *	11/2006	Bham D7/393
D462,570 S	9/2002	Munari	D536,573 S *	2/2007	Gates D7/393
D463,210 S	9/2002	Coudurier			

* cited by examiner

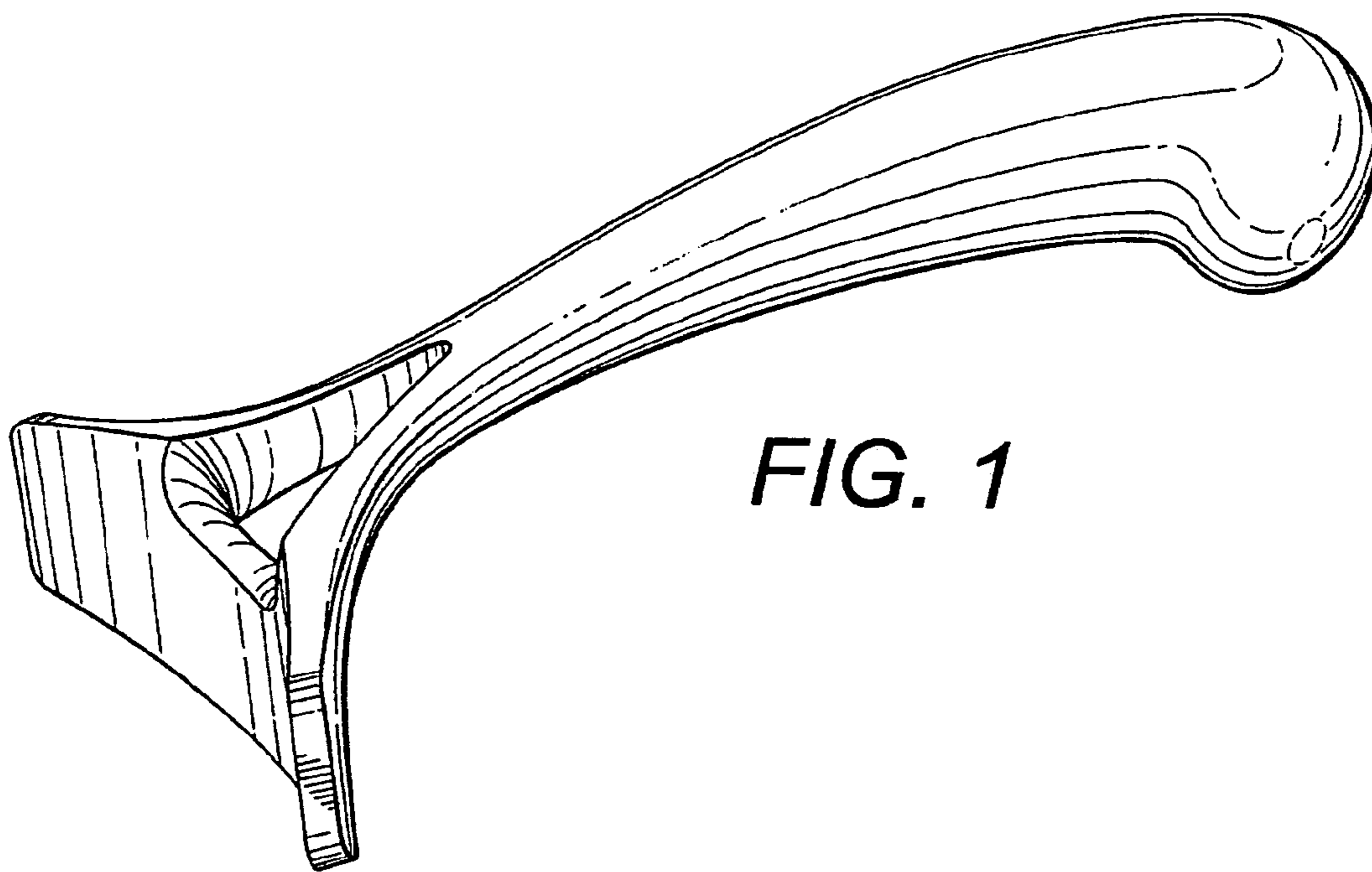


FIG. 1

FIG. 2



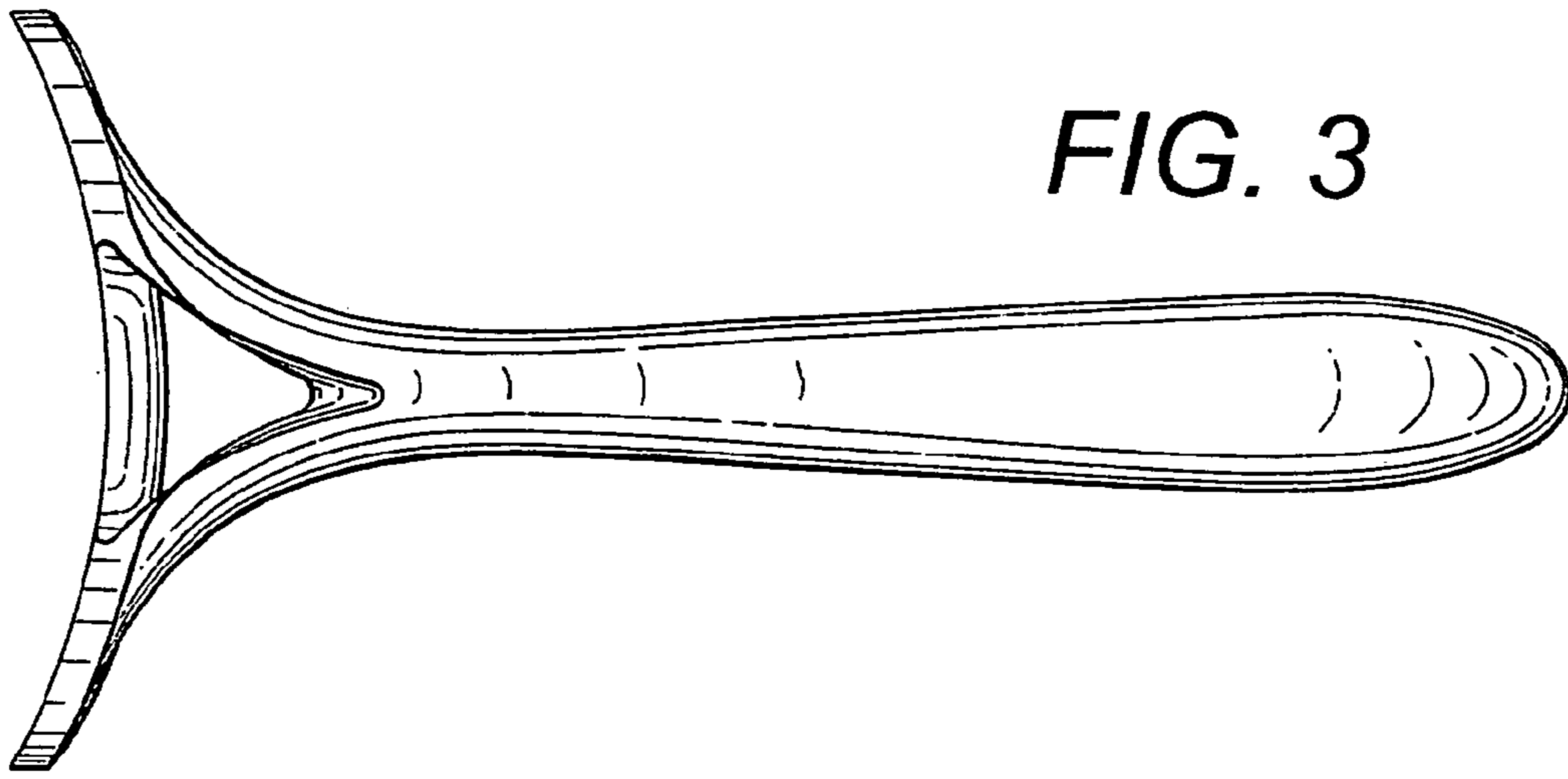


FIG. 3

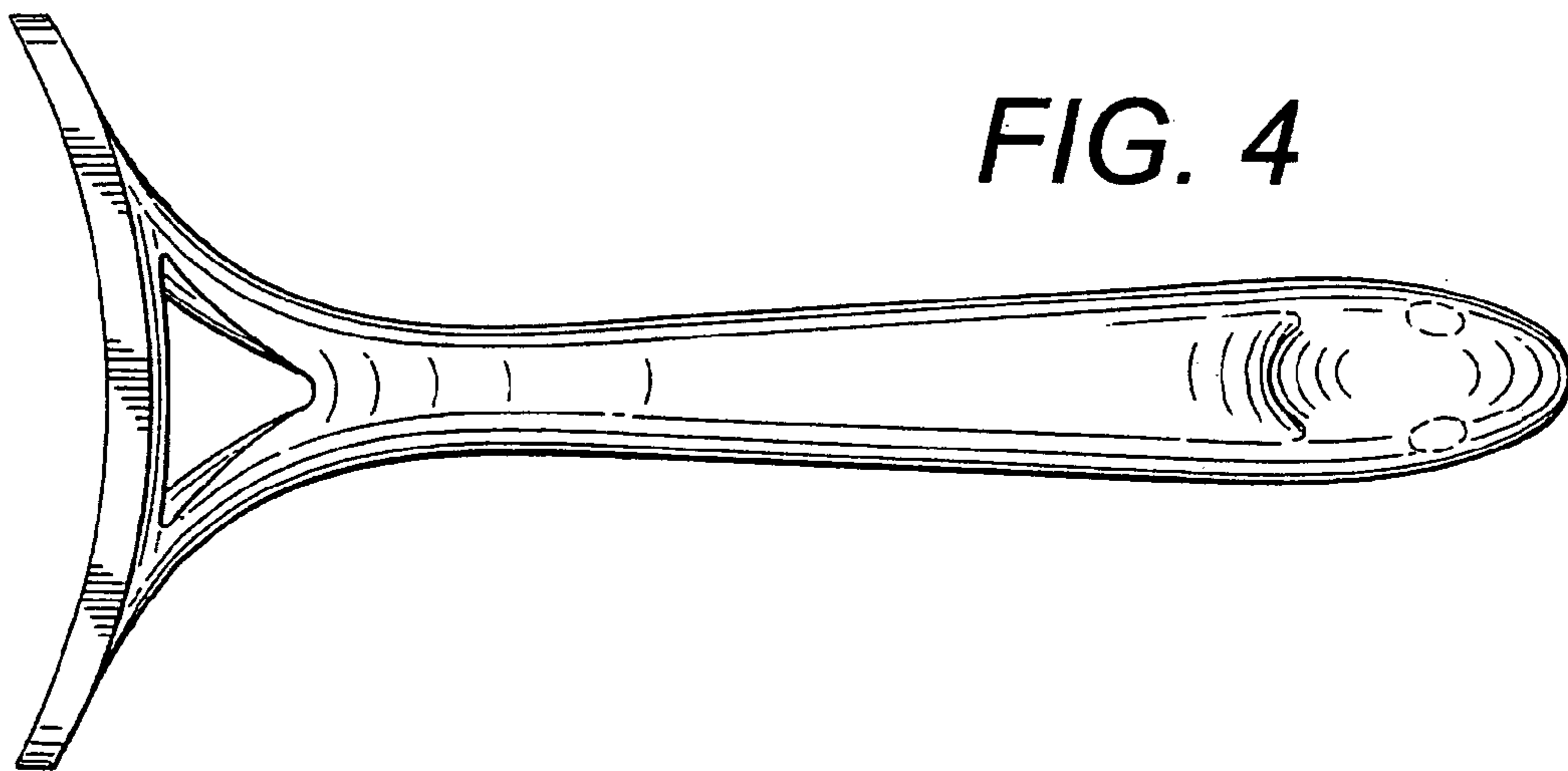


FIG. 4

FIG. 5

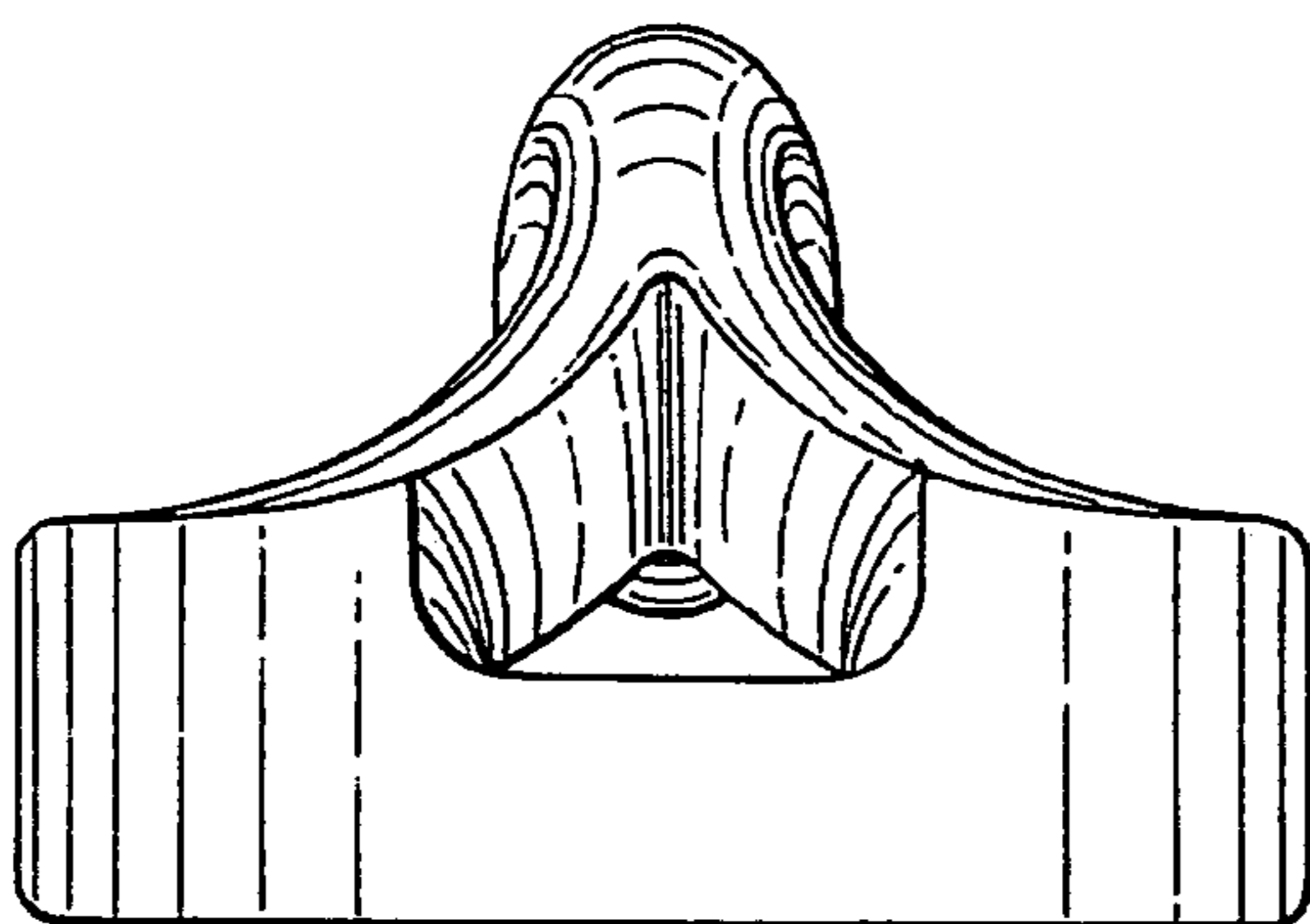


FIG. 6

