



US00D557064S

(12) **United States Design Patent**
Lin

(10) **Patent No.:** **US D557,064 S**

(45) **Date of Patent:** **** Dec. 11, 2007**

(54) **FOOD BATTERING MACHINE**

(76) Inventor: **King-Yuan Lin**, 4602 Brass Way,
Dallas, TX (US) 75236

(**) Term: **14 Years**

(21) Appl. No.: **29/265,972**

(22) Filed: **Sep. 11, 2006**

(51) **LOC (8) Cl.** **31-00**

(52) **U.S. Cl.** **D7/368**

(58) **Field of Classification Search** D7/368,
D7/372, 376, 377, 402, 412-414; D15/19,
D15/28; 99/472, 494, 485, 501, 505, 516;
118/13-16, 19, 26-30, 500, 501
See application file for complete search history.

(56) **References Cited**

U.S. PATENT DOCUMENTS

3,855,965	A *	12/1974	Gordon	118/16
4,873,920	A *	10/1989	Yang	99/472
D319,832	S *	9/1991	Ross	D15/19
D384,548	S *	10/1997	Hsieh	D7/376
D448,966	S *	10/2001	Hsieh	D7/376
D473,420	S *	4/2003	Lo et al.	D7/376
D495,553	S *	9/2004	Moss et al.	D7/376
2003/0085234	A1 *	5/2003	Paumen et al.	99/535

* cited by examiner

Primary Examiner—Terry A Wallace

(74) *Attorney, Agent, or Firm*—Todd N. Hathaway

(57) **CLAIM**

The ornamental design for a food battering machine, as shown and described.

DESCRIPTION

FIG. 1 is a left-side elevational view of a food battering machine showing my new design;

FIG. 2 is a right-side elevational view thereof;

FIG. 3 is a front elevational view thereof;

FIG. 4 is a rear elevational view thereof;

FIG. 5 is a top plan view thereof;

FIG. 6 is a bottom plan view thereof;

FIG. 7 is a second left-side elevational view thereof, showing the applicator end of the machine pivoted to an upward angle; and,

FIG. 8 is a third left-side elevational view thereof, showing the applicator end of the machine pivoted to a downward angle.

1 Claim, 8 Drawing Sheets

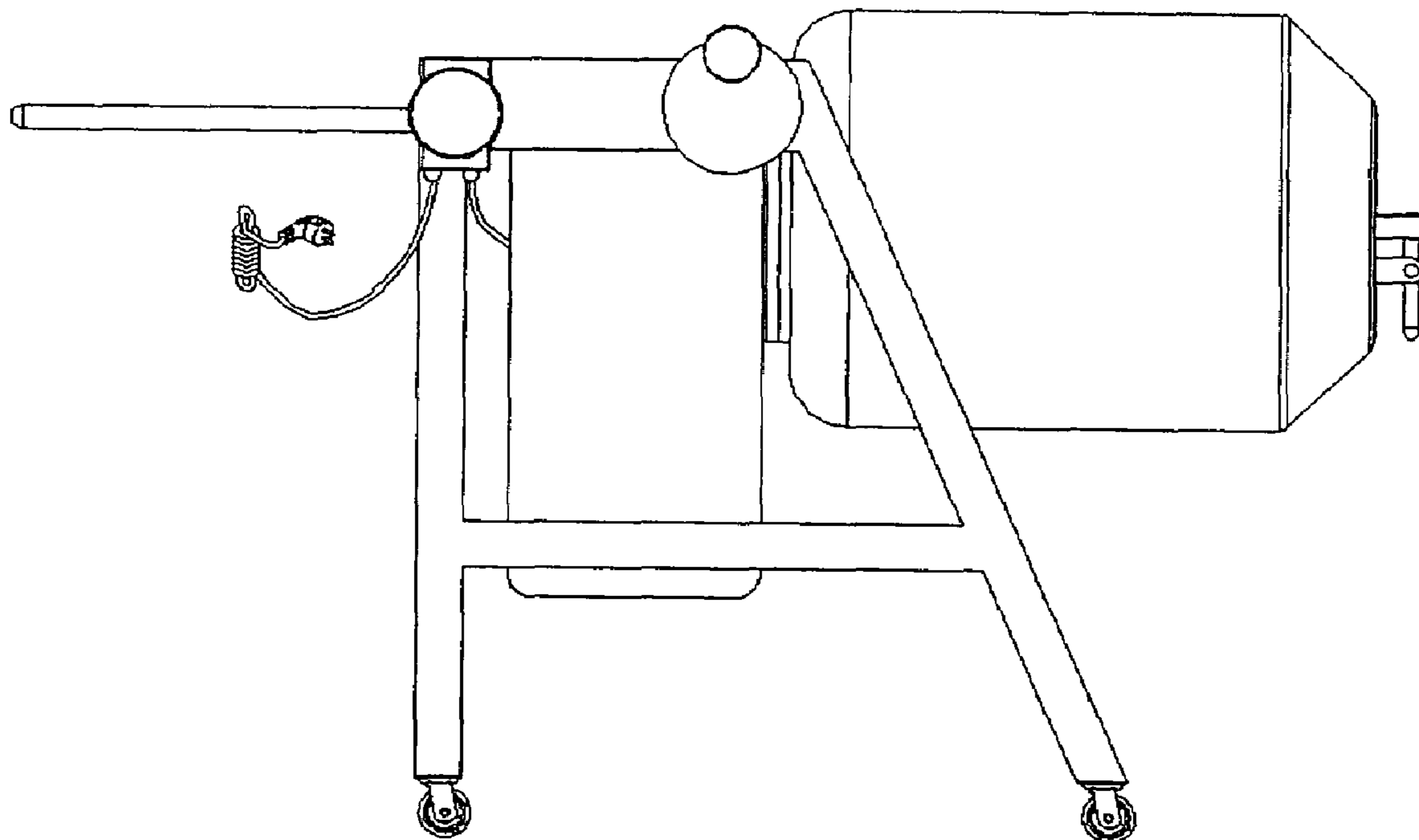


FIG. 1

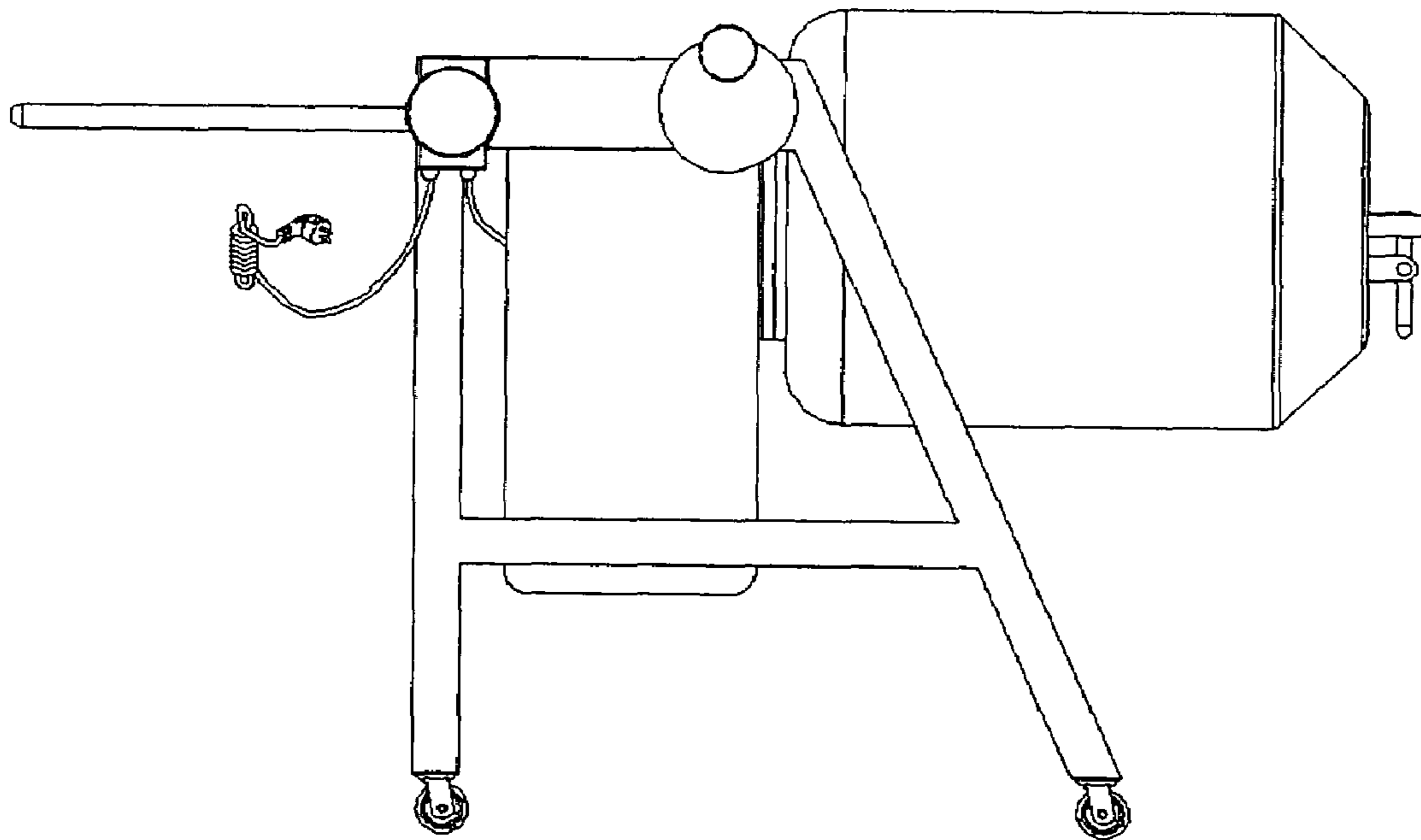


FIG. 2

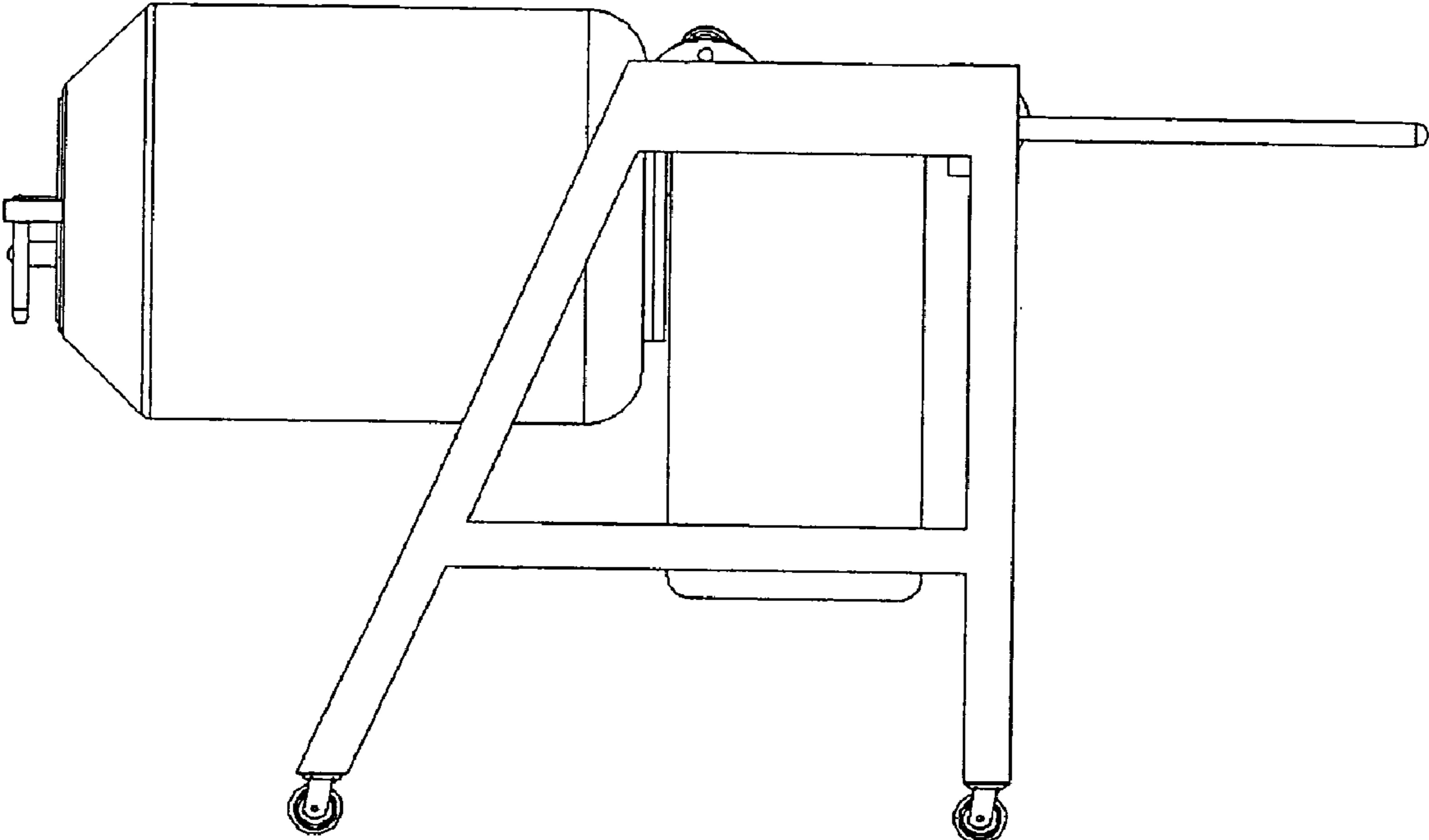


FIG. 3

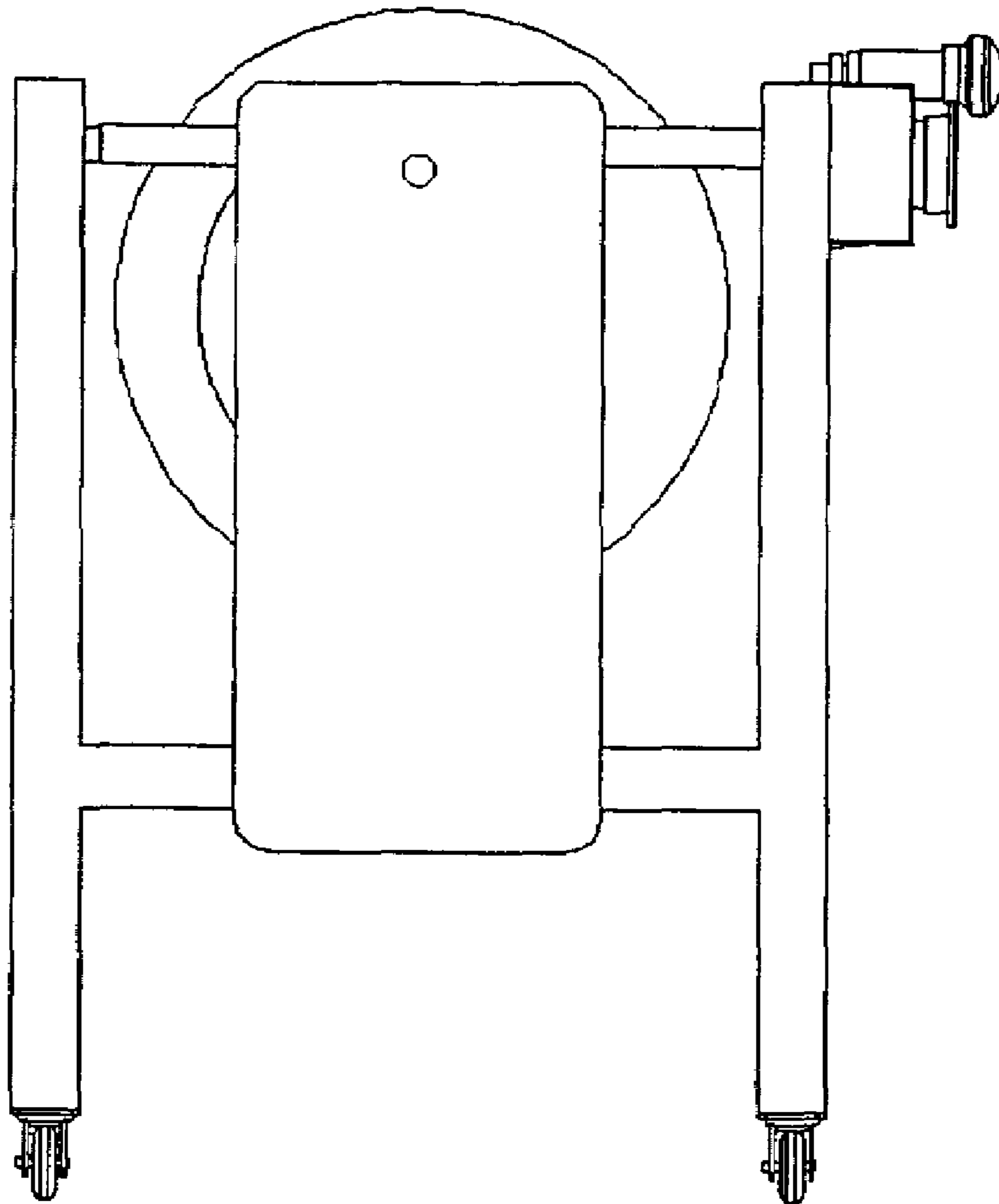


FIG. 4

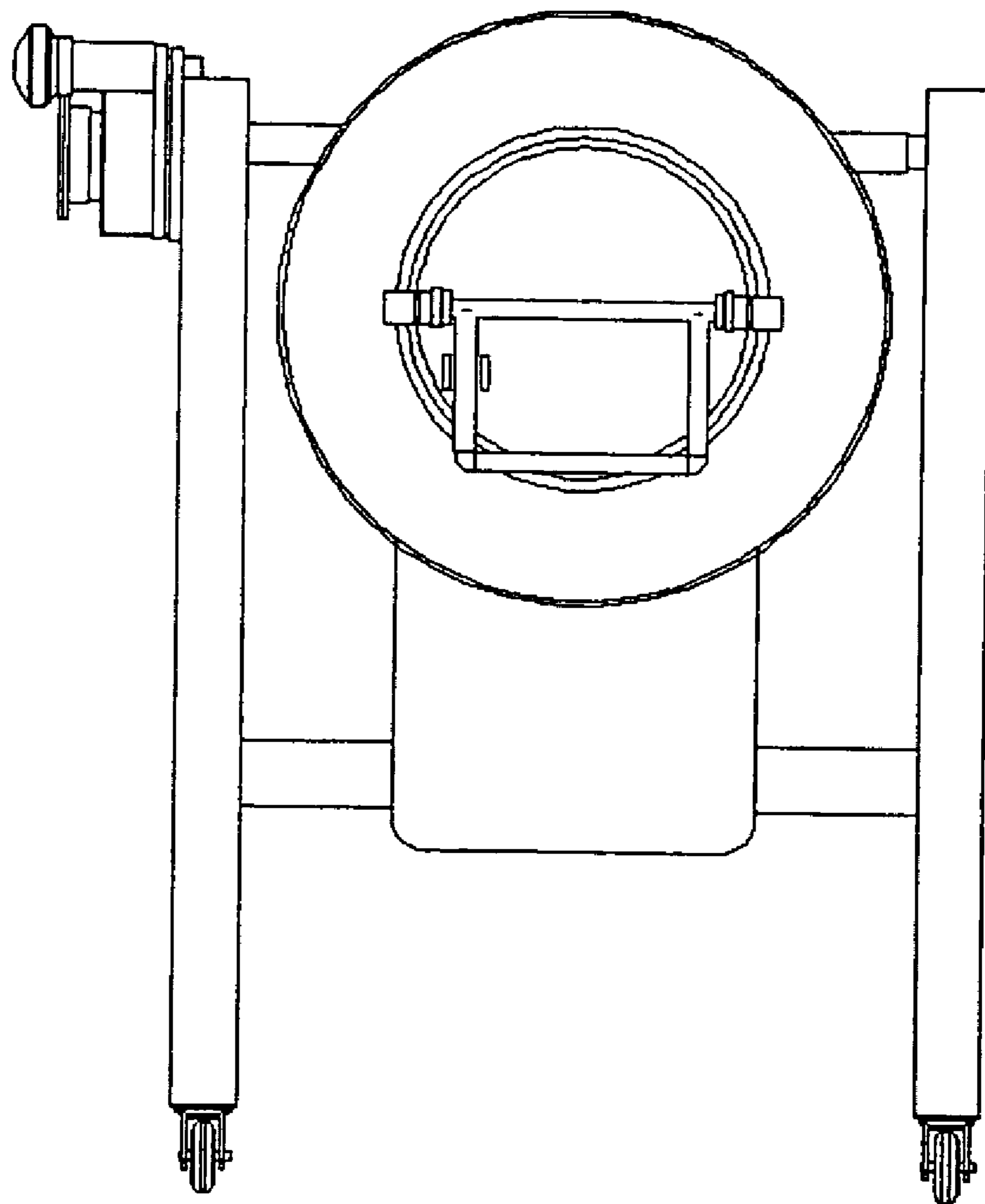


FIG. 5

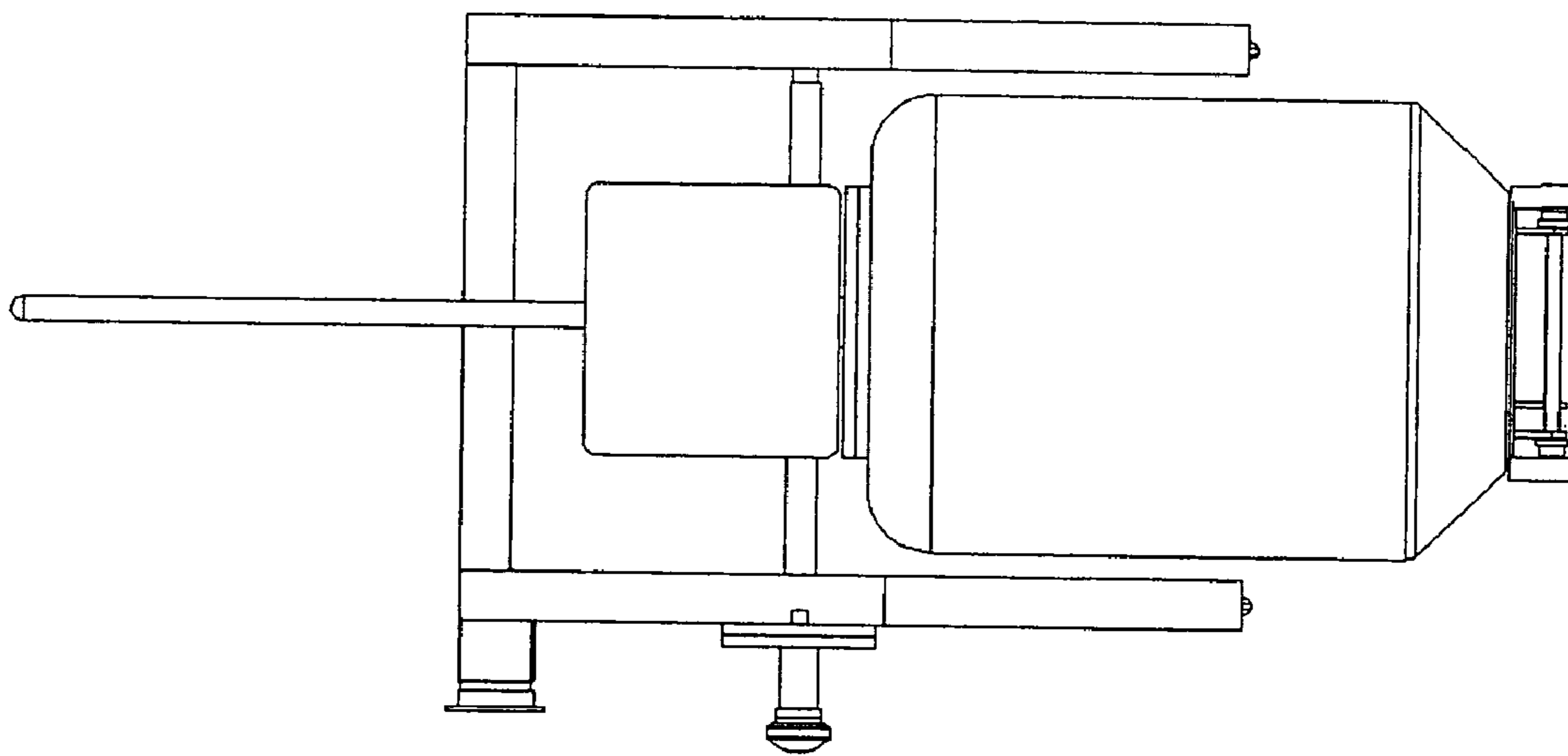


FIG. 6

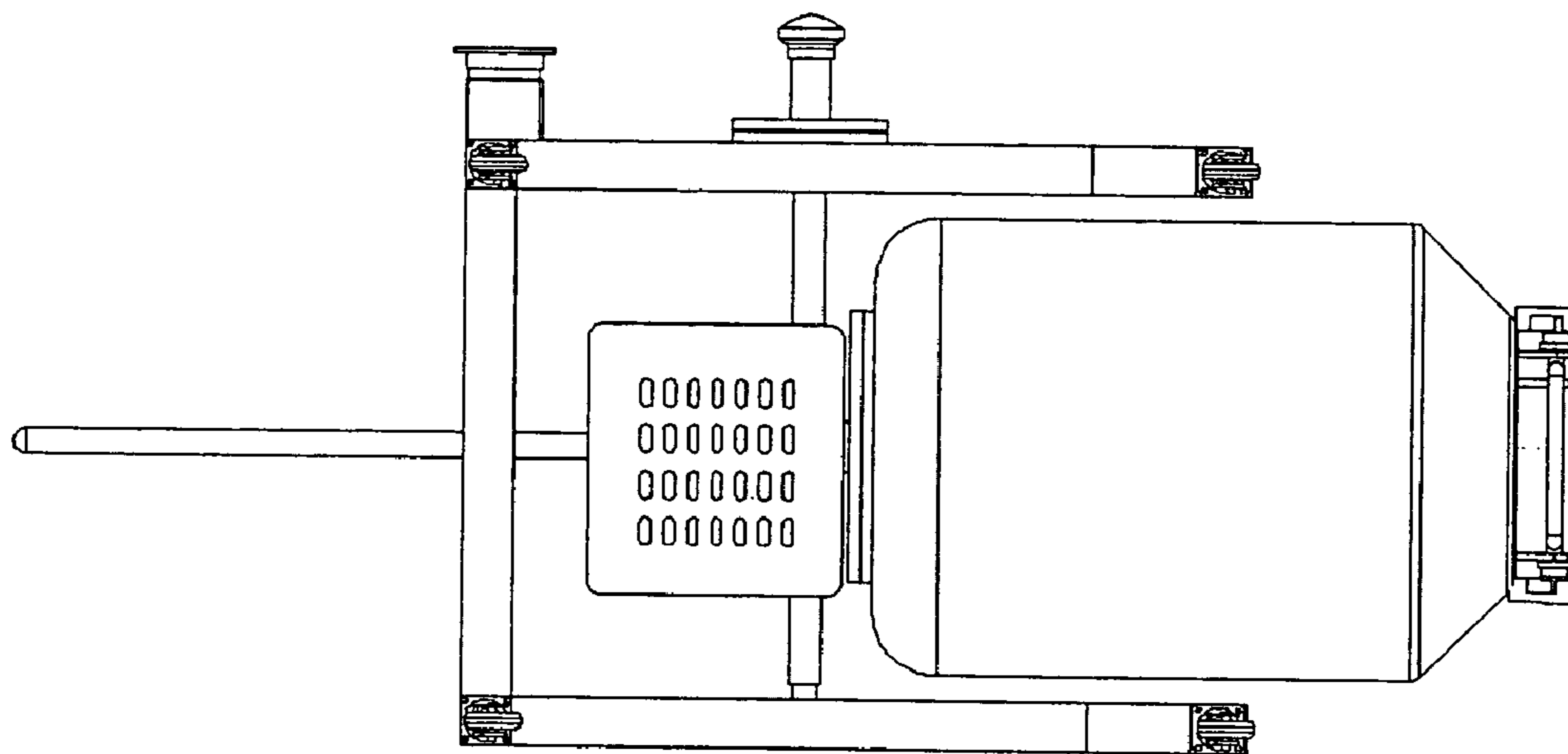


FIG.7

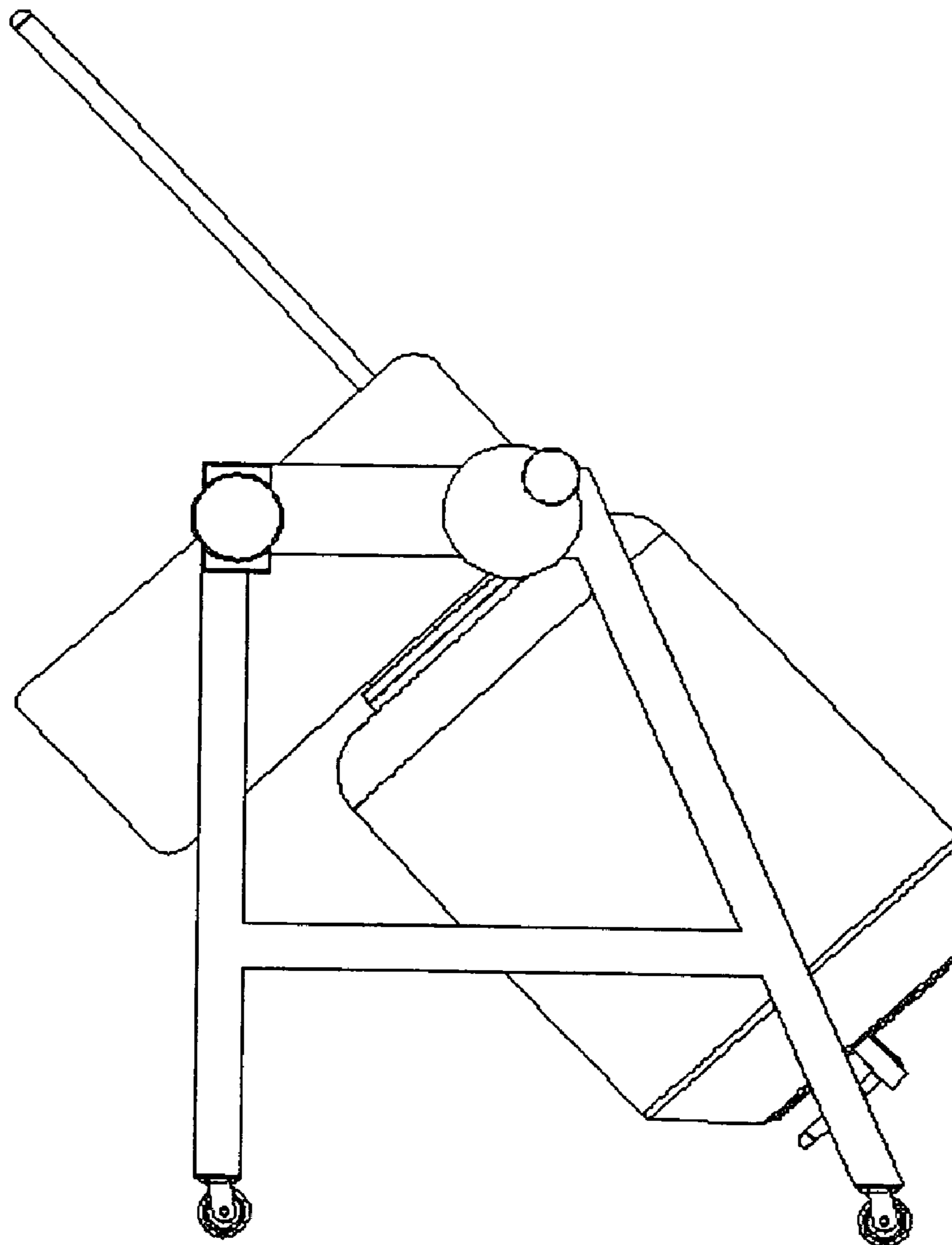


FIG. 8

