



US00D557063S

(12) **United States Design Patent** (10) **Patent No.:** **US D557,063 S**  
**Delaquis** (45) **Date of Patent:** **\*\* Dec. 11, 2007**

(54) **COOKING PAN**  
(75) Inventor: **Michel Delaquis**, Winnipeg (CA)  
(73) Assignee: **Mika Products**, Winnipeg (CA)  
(\*\*) Term: **14 Years**  
(21) Appl. No.: **29/254,117**  
(22) Filed: **Feb. 16, 2006**

D381,555 S \* 7/1997 Baker ..... D7/361  
D387,177 S \* 12/1997 Davis ..... D24/227  
D395,212 S \* 6/1998 Vosbikian ..... D8/10  
5,826,297 A \* 10/1998 Footer et al. .... 15/257.2  
6,334,386 B1 \* 1/2002 Iacchetti ..... 99/425  
6,497,174 B1 \* 12/2002 Cacace ..... 99/422  
6,732,402 B1 \* 5/2004 Hsu ..... 15/257.6  
D497,767 S \* 11/2004 Cacace ..... D7/361  
D507,454 S \* 7/2005 Leibowitz ..... D7/361  
D511,929 S \* 11/2005 Coppi ..... D7/359  
6,990,893 B2 \* 1/2006 Cheng ..... 99/422

(30) **Foreign Application Priority Data**  
Aug. 17, 2005 (CA) ..... 112272

**FOREIGN PATENT DOCUMENTS**

GB 2206775 A \* 1/1989

(51) **LOC (8) Cl.** ..... **07-02**  
(52) **U.S. Cl.** ..... **D7/361**  
(58) **Field of Classification Search** ..... D7/323,  
D7/328-330, 352-361, 409-411, 391, 500,  
D7/393-396; D30/162; 99/140 R, 324,  
99/339, 345, 422, 424, 426, 445; 219/620-622,  
219/725-730; 220/573.1-574, 912; 222/146,  
222/572; D8/10

\* cited by examiner

*Primary Examiner*—Janice E. Seeger  
*Assistant Examiner*—Ricky Pham  
(74) *Attorney, Agent, or Firm*—Straub & Pokotylo; Michael P. Straub

See application file for complete search history.

(57) **CLAIM**

The ornamental design for a cooking pan, as shown and described.

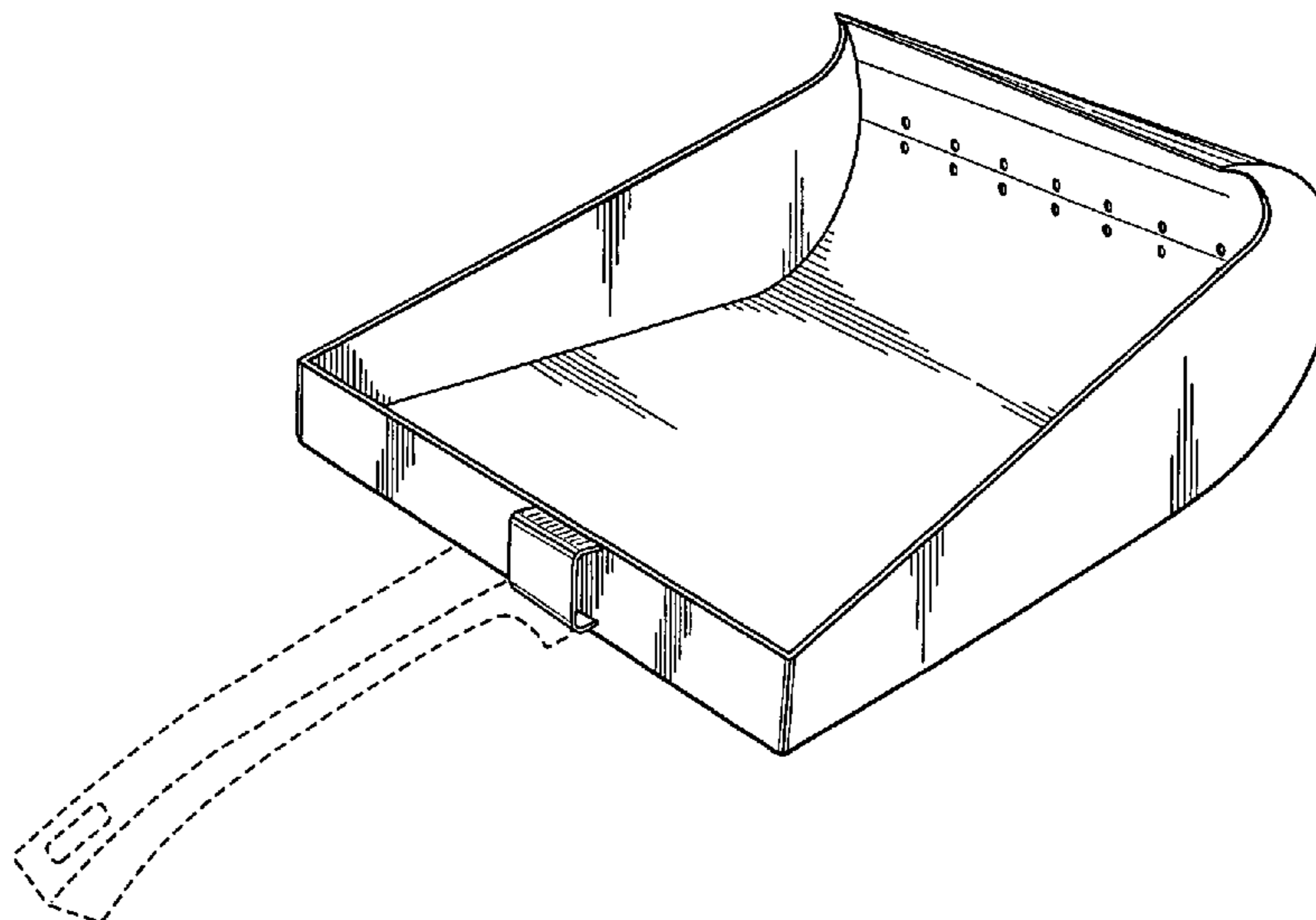
(56) **References Cited**  
**U.S. PATENT DOCUMENTS**

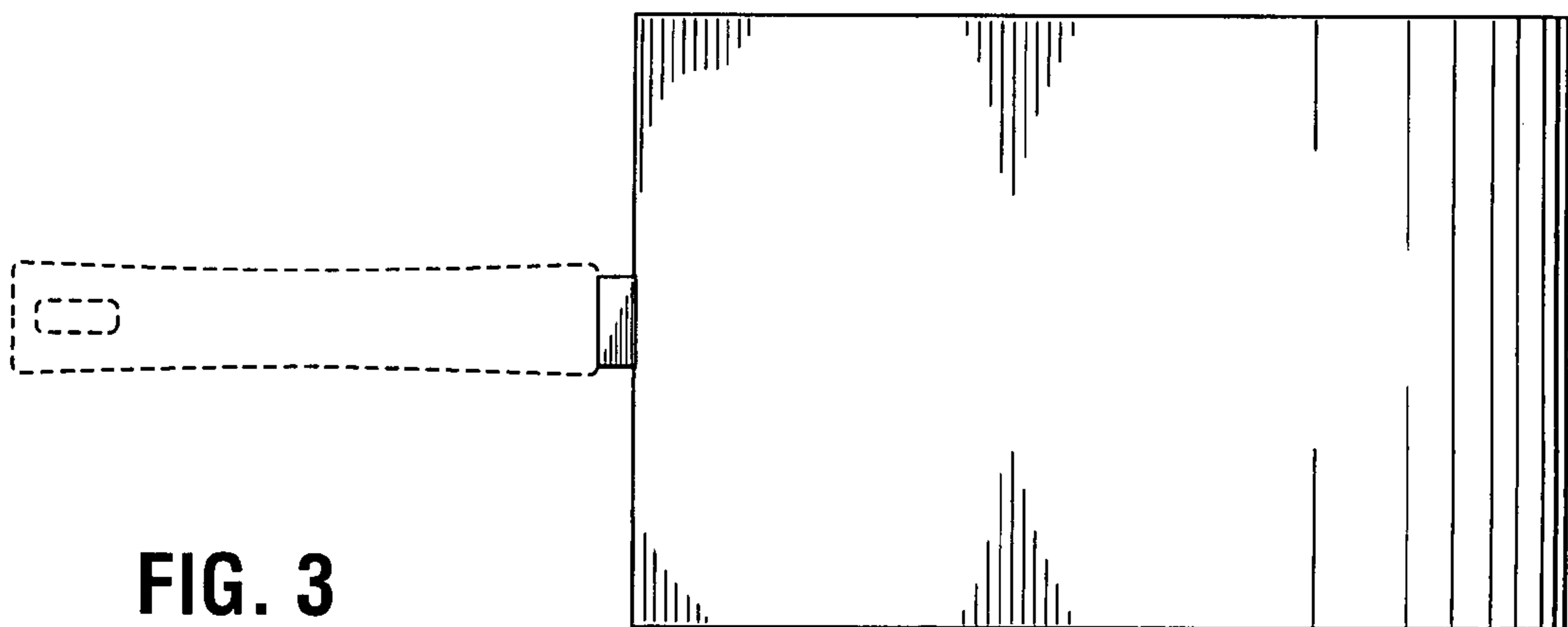
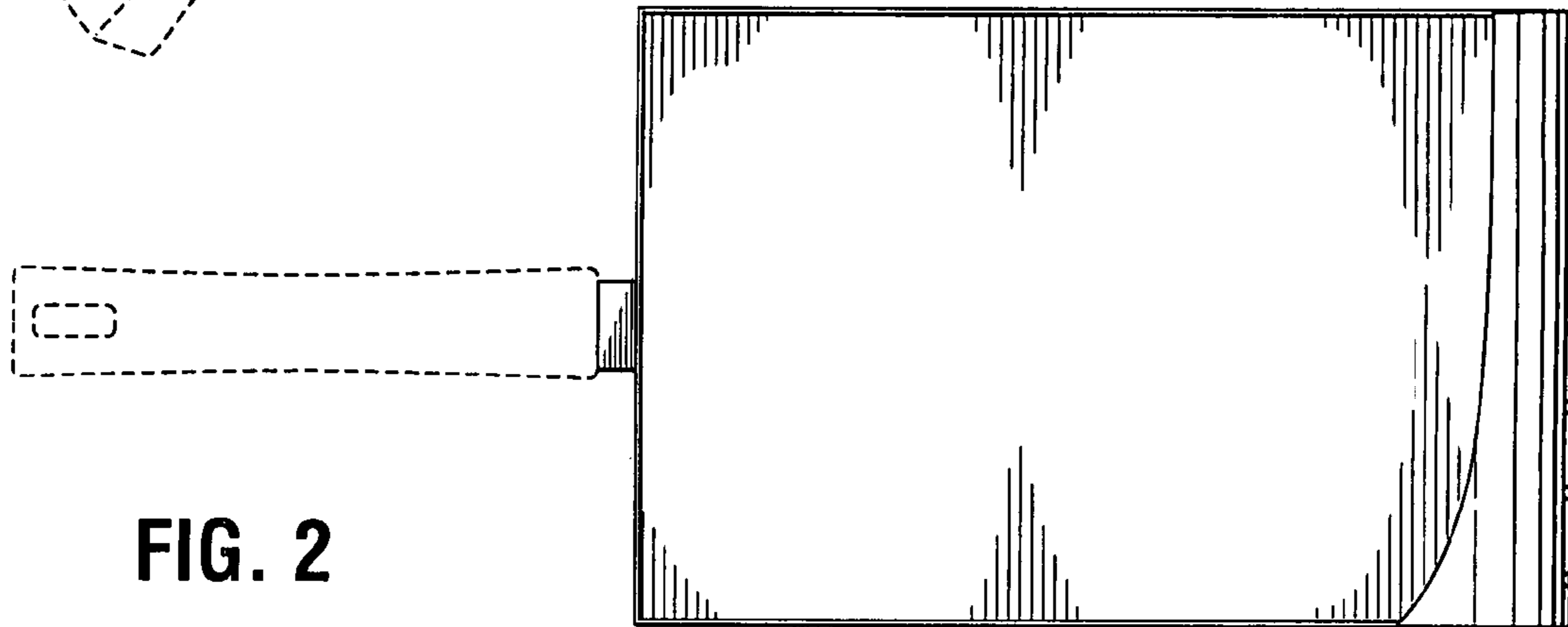
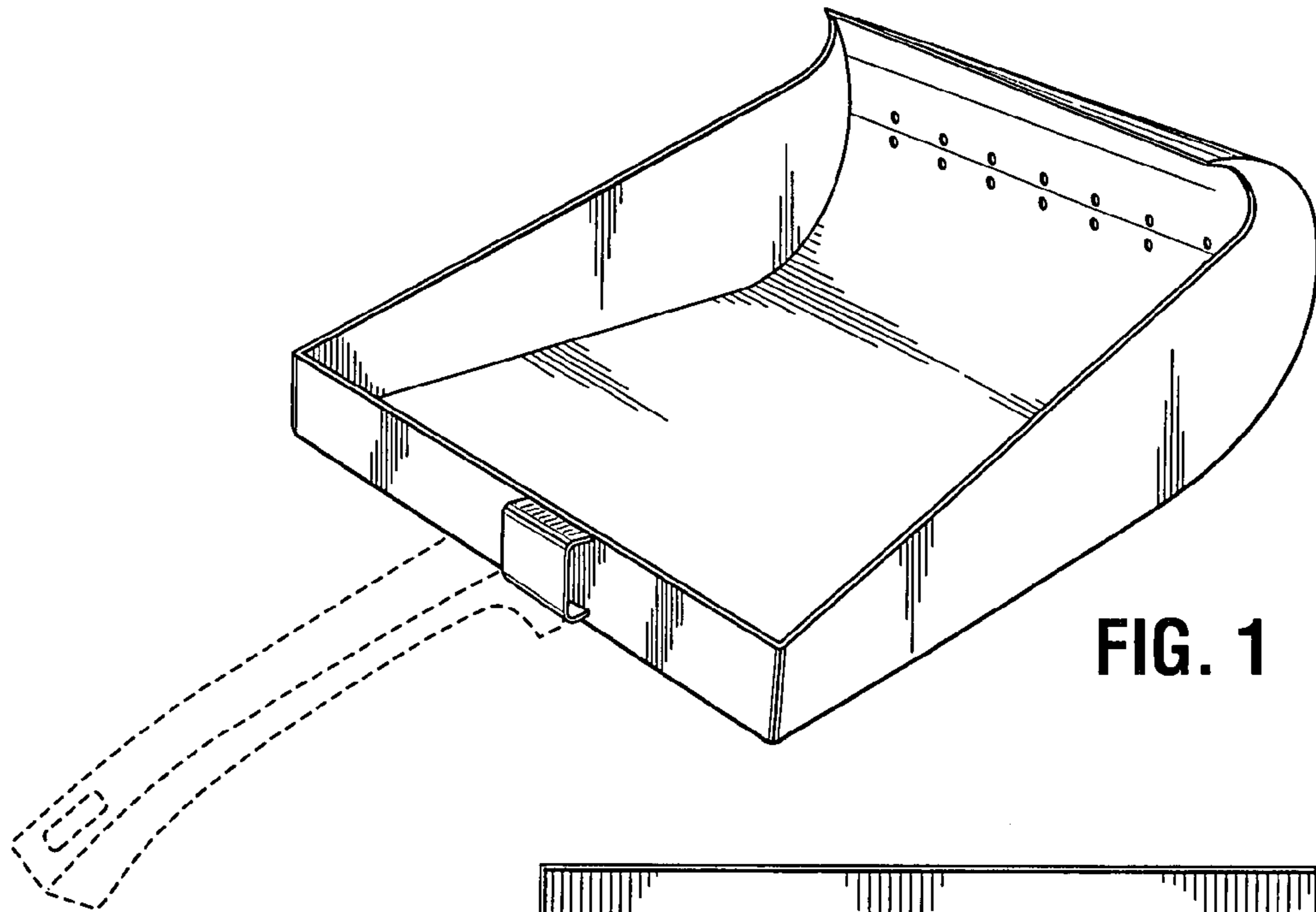
**DESCRIPTION**

940,422 A \* 11/1909 Ballman ..... 15/257.8  
1,396,848 A \* 11/1921 King ..... 222/465.1  
1,398,655 A \* 11/1921 Smith ..... 99/423  
1,605,215 A \* 11/1926 Carr ..... 220/4.21  
1,904,925 A \* 4/1933 Perks ..... 99/423  
1,936,551 A \* 11/1933 Garrison ..... 99/339  
D110,117 S \* 6/1938 Weis ..... D7/361  
D155,854 S \* 11/1949 Weglage ..... D7/359  
2,515,117 A \* 7/1950 Duhaime ..... 15/257.3  
D178,740 S \* 9/1956 Stedman ..... D7/363  
3,713,380 A \* 1/1973 Bardin ..... 99/422  
D245,059 S \* 7/1977 Bardin ..... D7/361  
D253,510 S \* 11/1979 Bardin ..... D7/361  
D380,934 S \* 7/1997 Alarid, Jr. .... D7/354

FIG. 1 is a perspective view of the design;  
FIG. 2 is top view of the design;  
FIG. 3 is a bottom view of the design;  
FIG. 4 is a first side view of the design;  
FIG. 5 is a second side view of the design;  
FIG. 6 is a front view of the design; and,  
FIG. 7 is a back view of the design.  
The broken lines shown in the drawings are for illustrative purposes only and form no part of the claimed design.

**1 Claim, 2 Drawing Sheets**





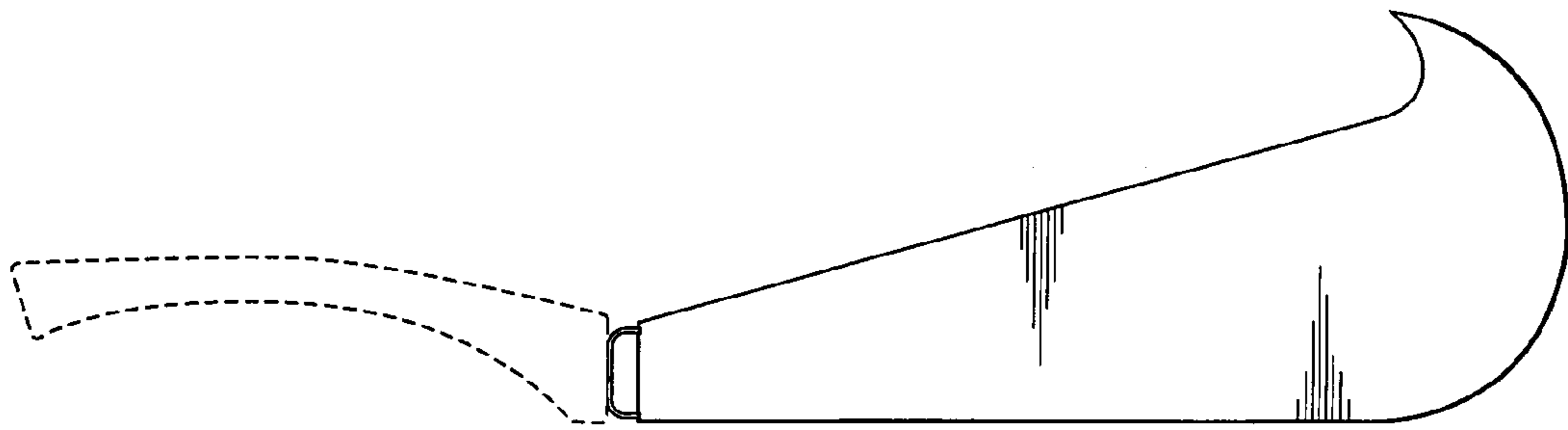


FIG. 4

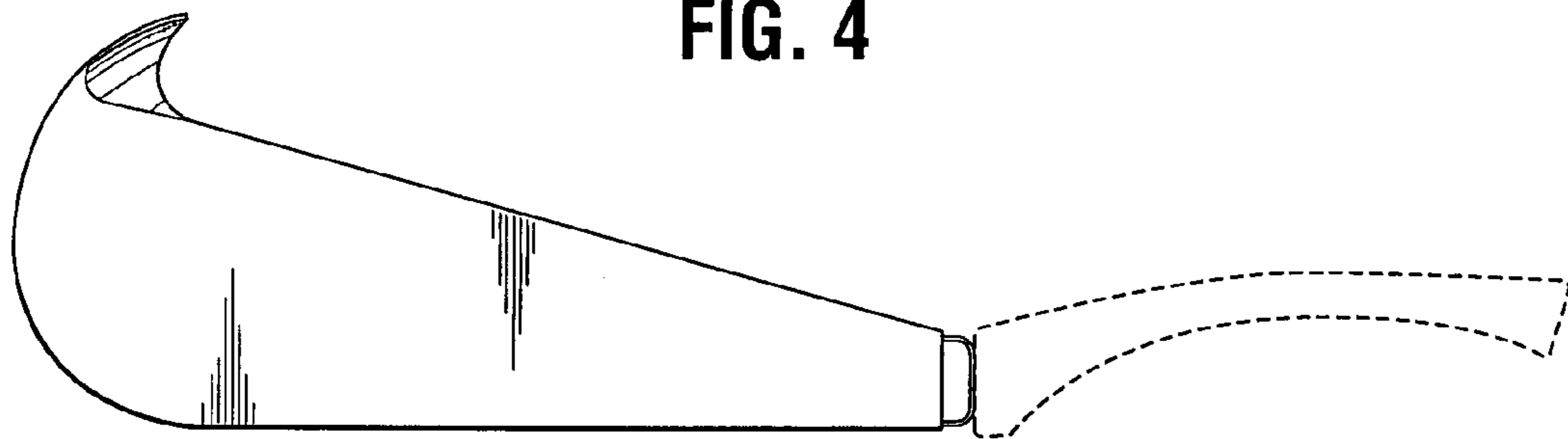


FIG. 5

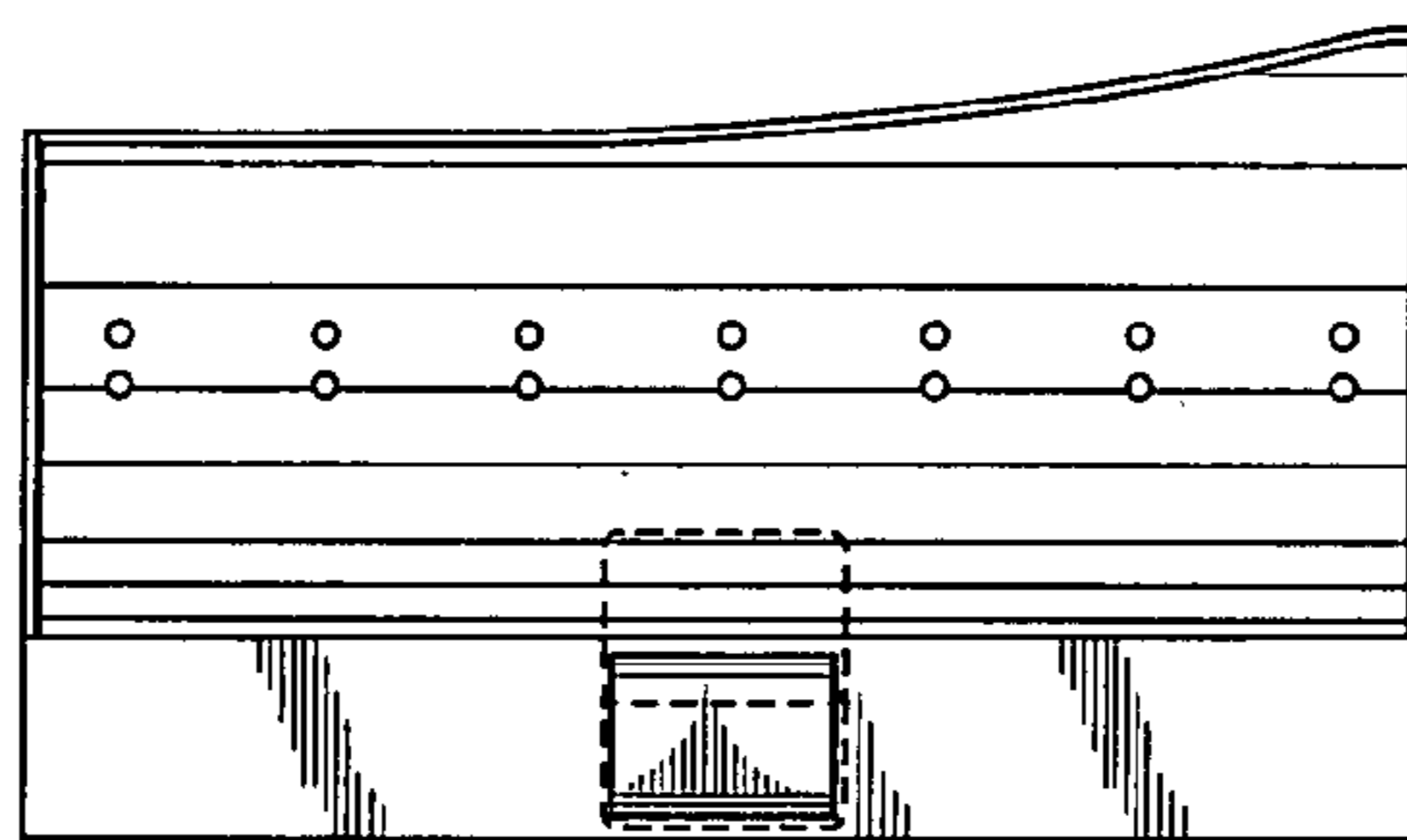


FIG. 6

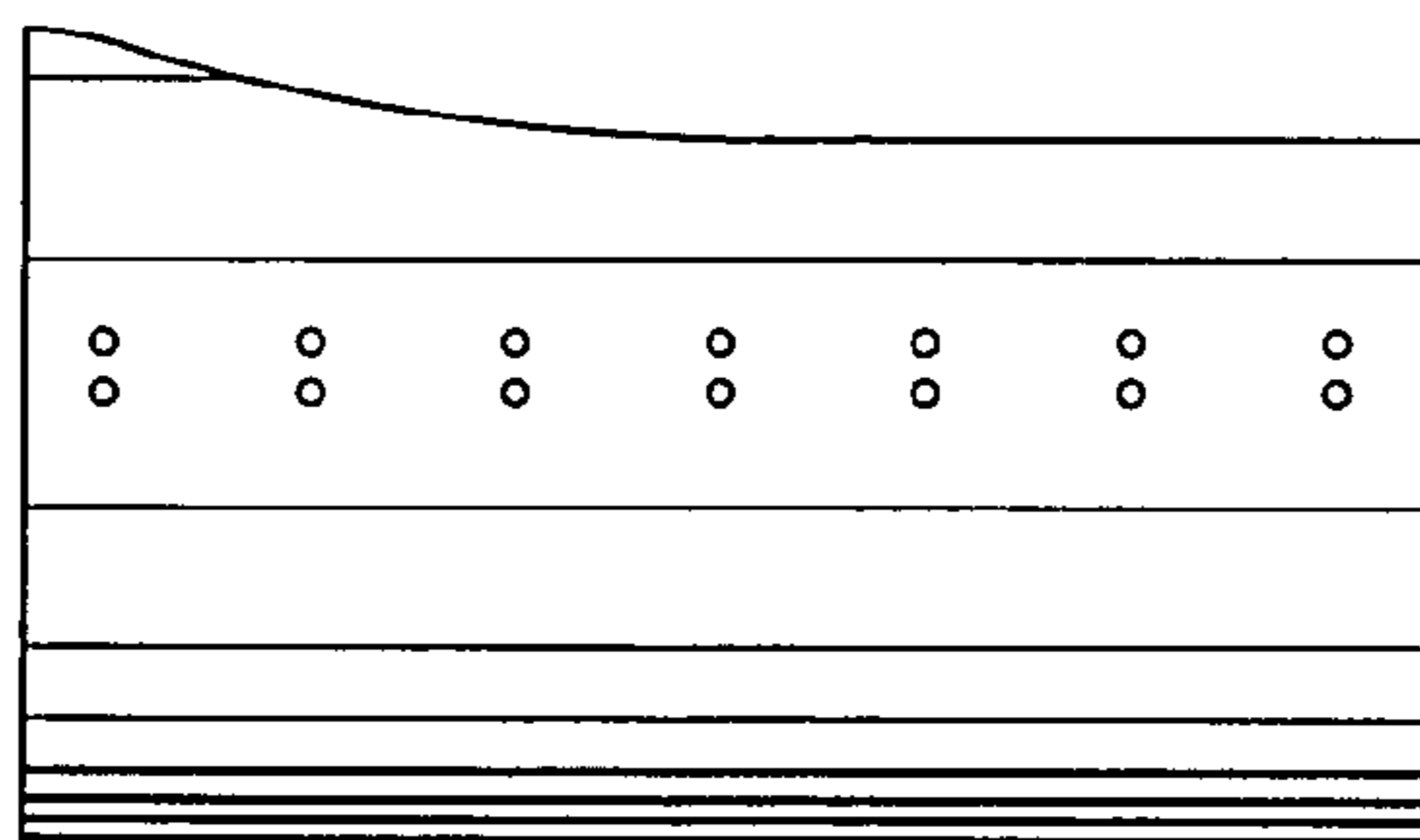


FIG. 7