



US00D557062S

(12) **United States Design Patent**
Henry

(10) **Patent No.:** **US D557,062 S**
(45) **Date of Patent:** **** Dec. 11, 2007**

(54) **CASSEROLE**

D523,694 S * 6/2006 Czebiniak D7/542

(75) Inventor: **Jacques Henry**, Marcigny (FR)

FOREIGN PATENT DOCUMENTS

(73) Assignee: **Emile Henry Industrie** (FR)

GB 2089853 * 1/1999

(**) Term: **14 Years**

OTHER PUBLICATIONS

(21) Appl. No.: **29/234,255**

Spiegel, Fall-Winter 2001, B, Le Creuset.*

(22) Filed: **Jul. 15, 2005**

* cited by examiner

(51) **LOC (8) Cl.** **07-02**

Primary Examiner—Mimosa De

(52) **U.S. Cl.** **D7/360**

Assistant Examiner—Ricky Pham

(58) **Field of Classification Search** D7/323,
D7/393, 354–360, 538–540, 542–545, 547,
D7/548, 560, 565, 566, 570, 584, 586, 587,
D7/602; 62/457.6; 99/339, 534; 126/369,
126/385.1; 220/23.4, 23.8, 574, 575

(74) *Attorney, Agent, or Firm*—Robert F. Zielinski; Wolf,
Block, Schorr and Solis-Cohen LLP

See application file for complete search history.

(57) **CLAIM**

The ornamental design for a casserole, as shown and described.

(56) **References Cited**

DESCRIPTION

U.S. PATENT DOCUMENTS

FIG. 1 is a front perspective view showing the present invention.

- D202,062 S * 8/1965 Yamazaki D7/360
- D212,704 S * 11/1968 Benes D7/360
- D253,574 S * 12/1979 Anderson, Jr. D7/356
- D258,631 S * 3/1981 Lax D7/542
- D275,547 S * 9/1984 Asti et al. D7/360
- D276,398 S * 11/1984 Conti et al. D7/540
- D295,819 S * 5/1988 Mercadante D7/545
- D326,797 S * 6/1992 Pomroy et al. D7/538
- D338,807 S * 8/1993 Conti D7/545
- D427,483 S * 7/2000 Geelen et al. D7/360
- 6,105,810 A * 8/2000 Daenen et al. 220/366.1
- D470,715 S * 2/2003 Kloppsteck D7/360

FIG. 2 is a front view of the present invention shown in FIG. 1.

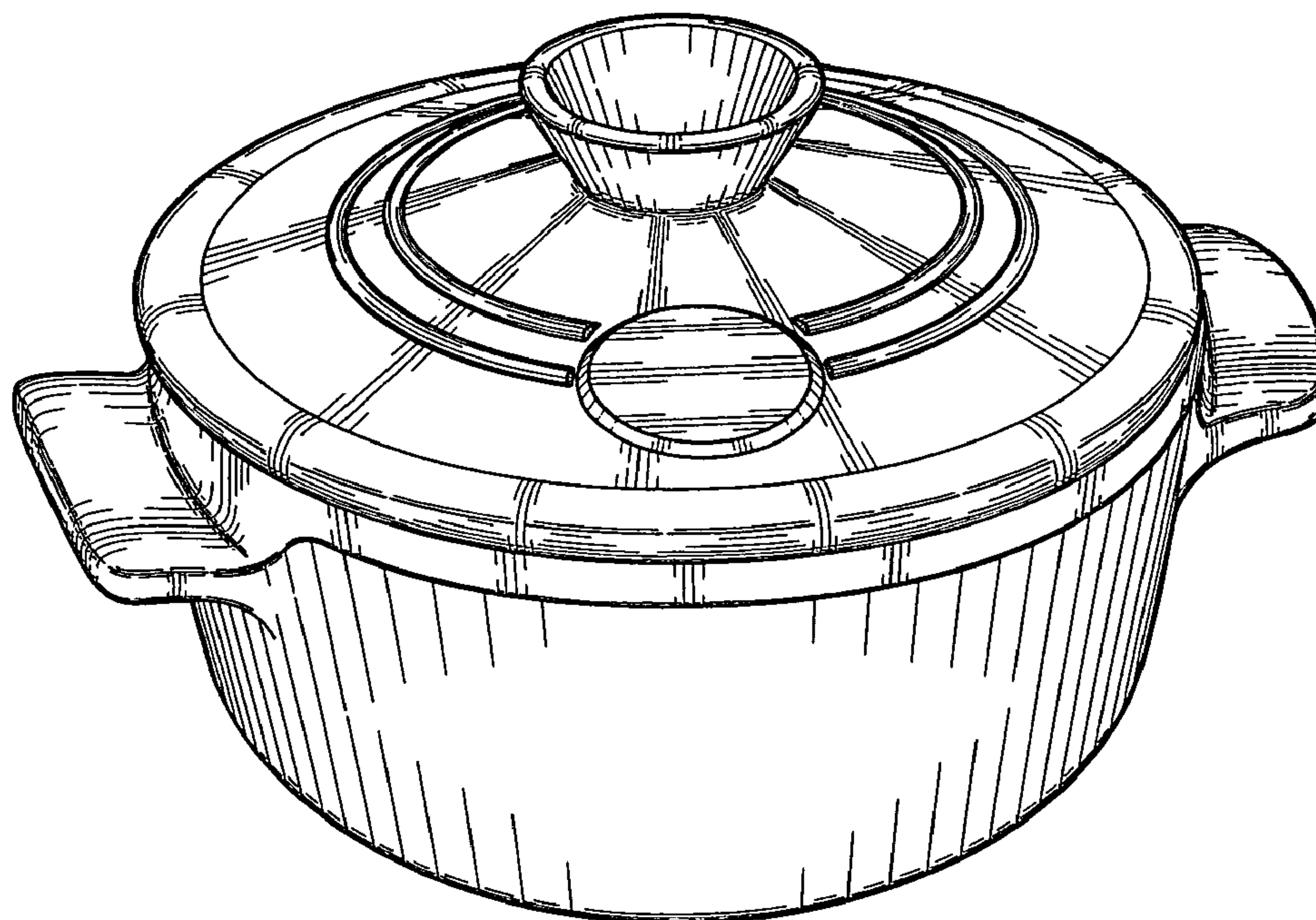
FIG. 3 is a rear view of the present invention shown in FIG. 1.

FIG. 4 is a side view of the present invention shown in FIG. 1. The other side view being a mirror image.

FIG. 5 is a top view of the present invention shown in FIG. 1; and,

FIG. 6 is a bottom view of the present invention shown in FIG. 1.

1 Claim, 6 Drawing Sheets



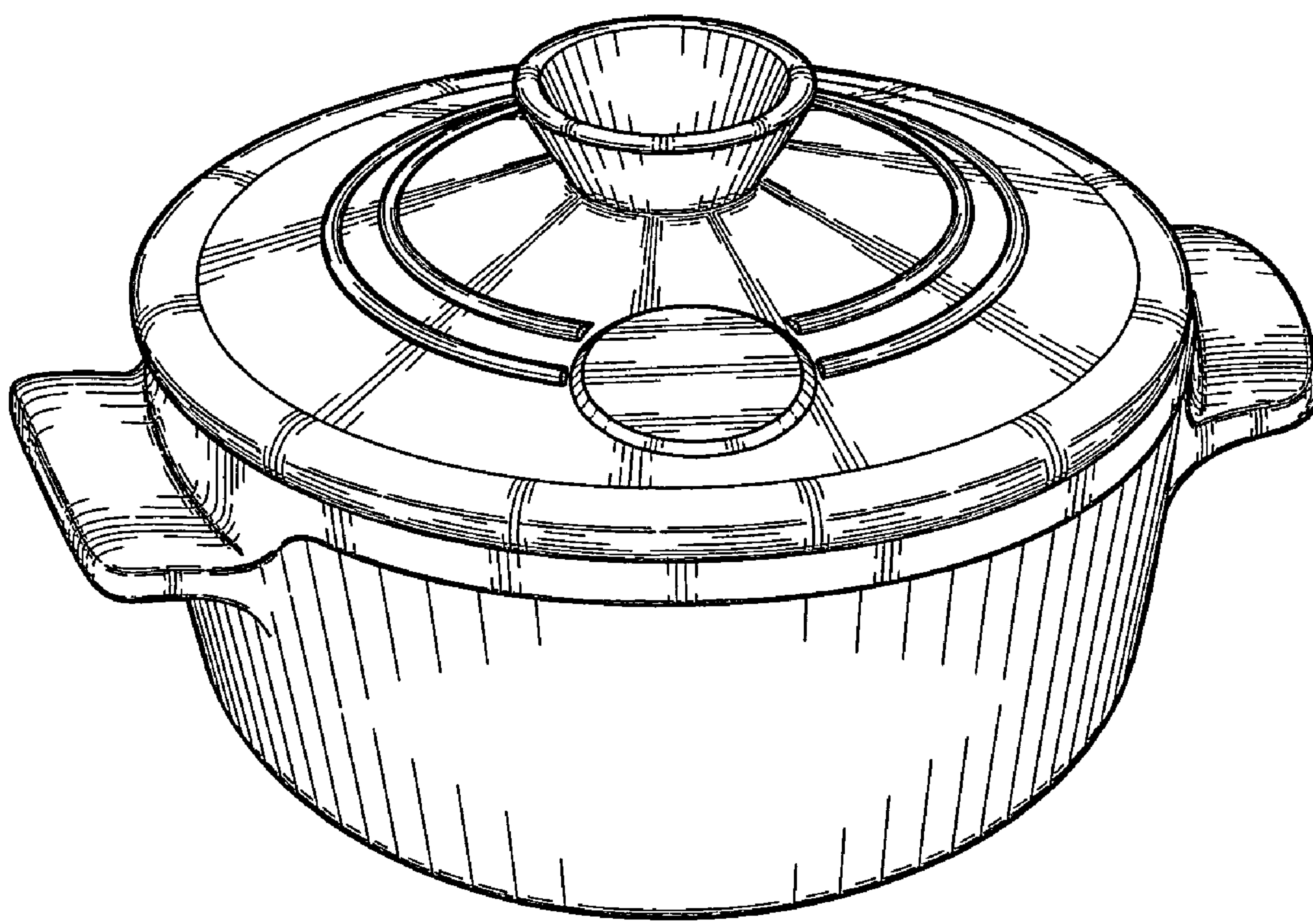


FIG. 1

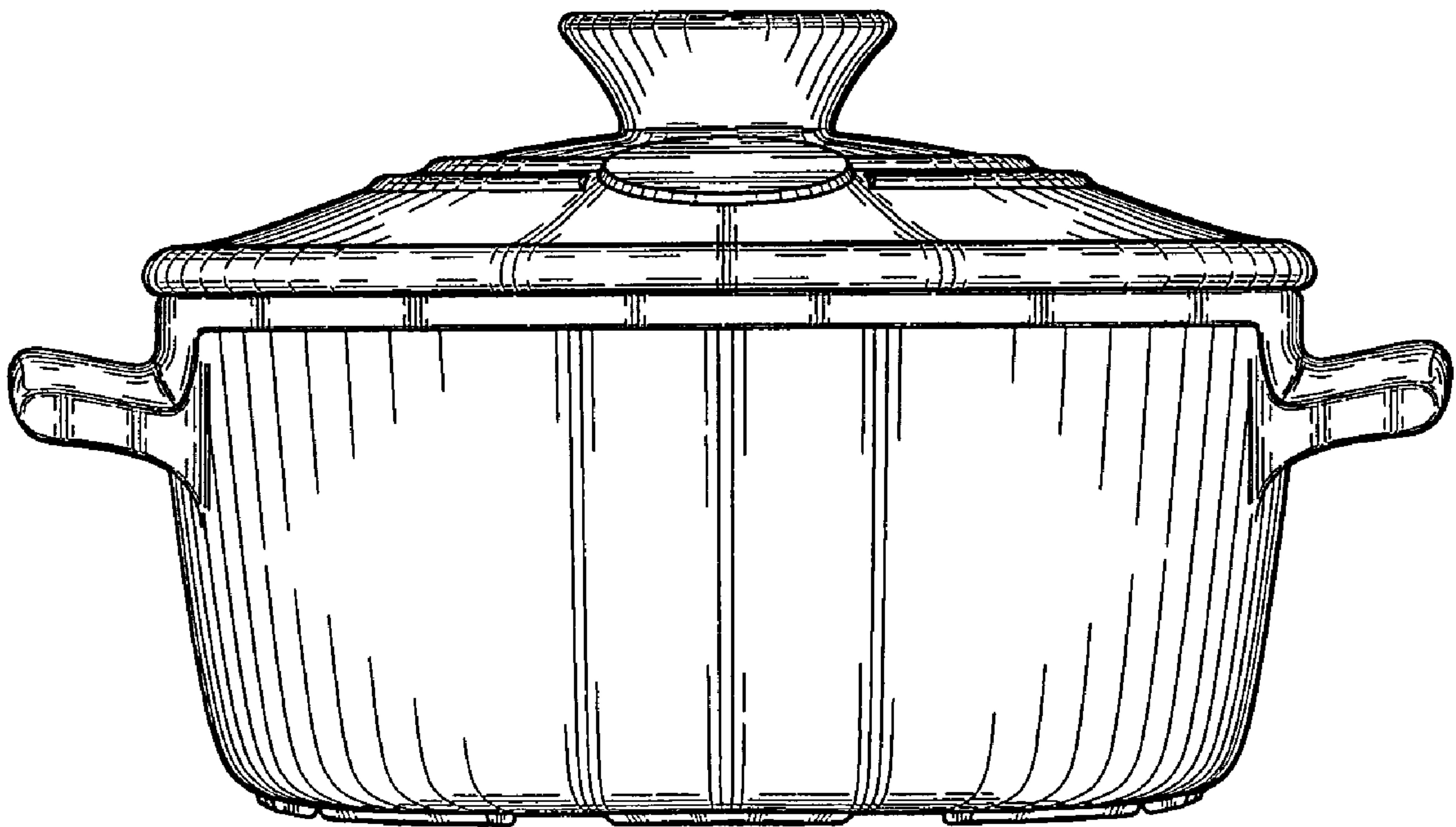


FIG. 2

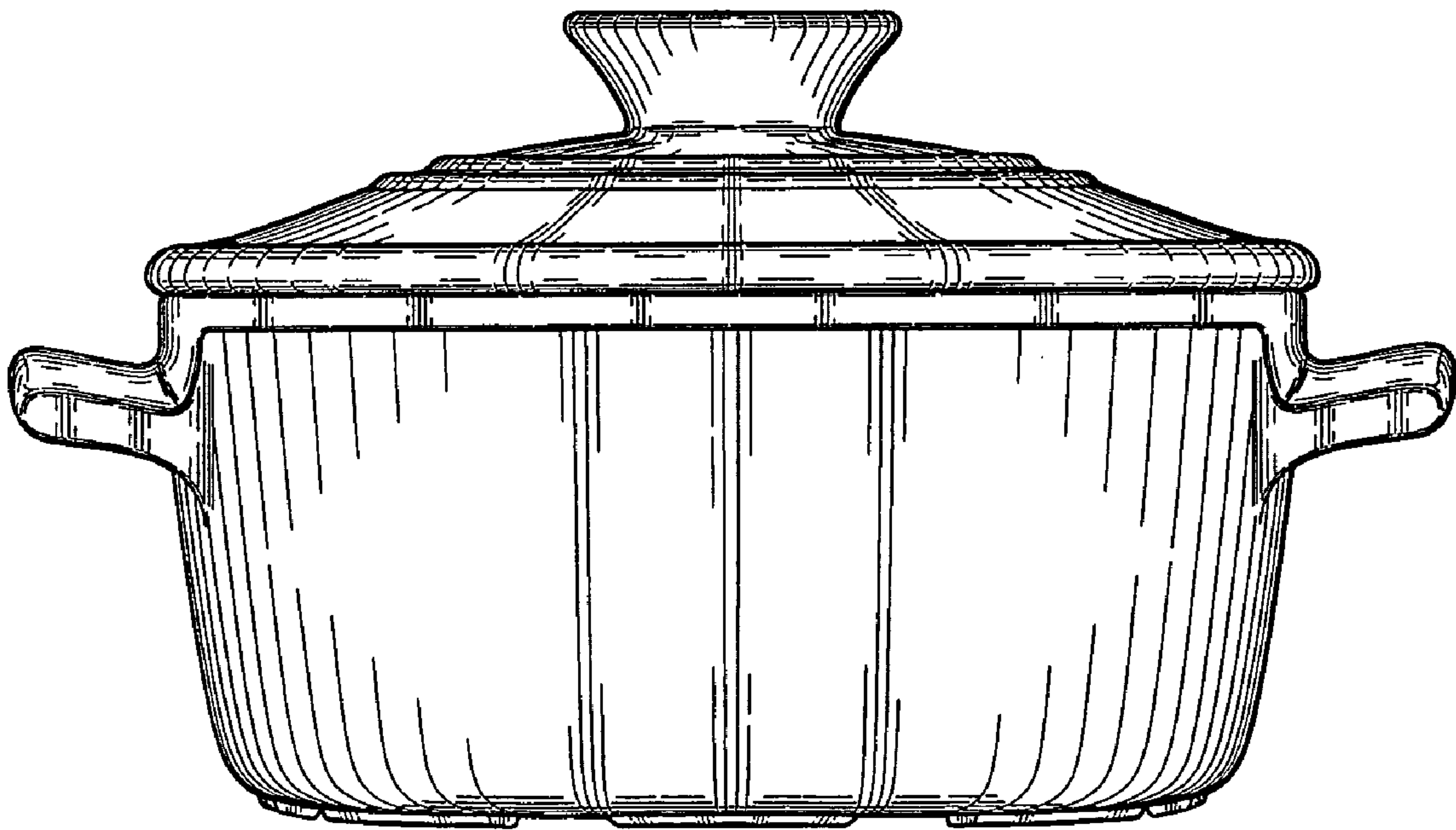


FIG. 3

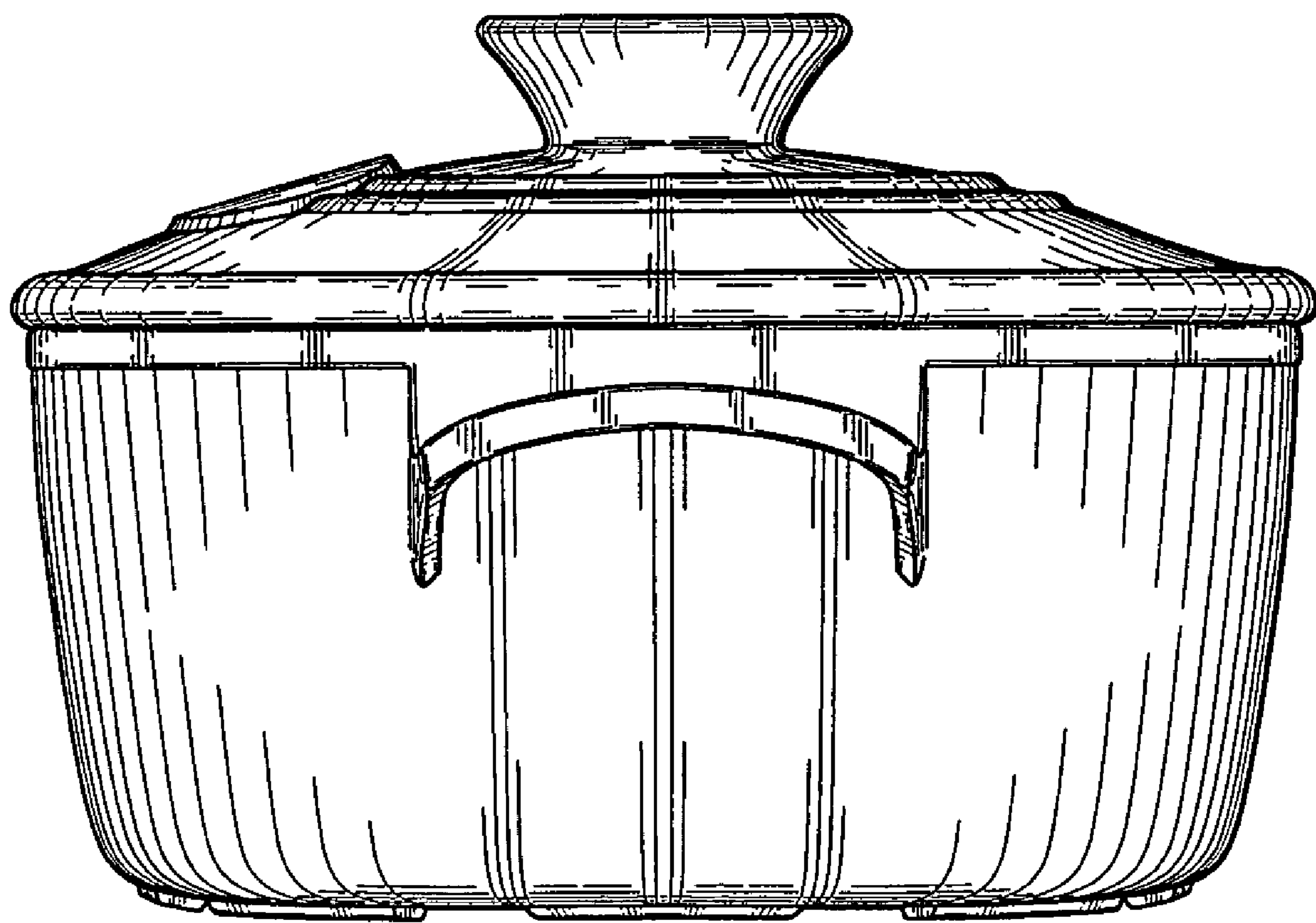


FIG. 4

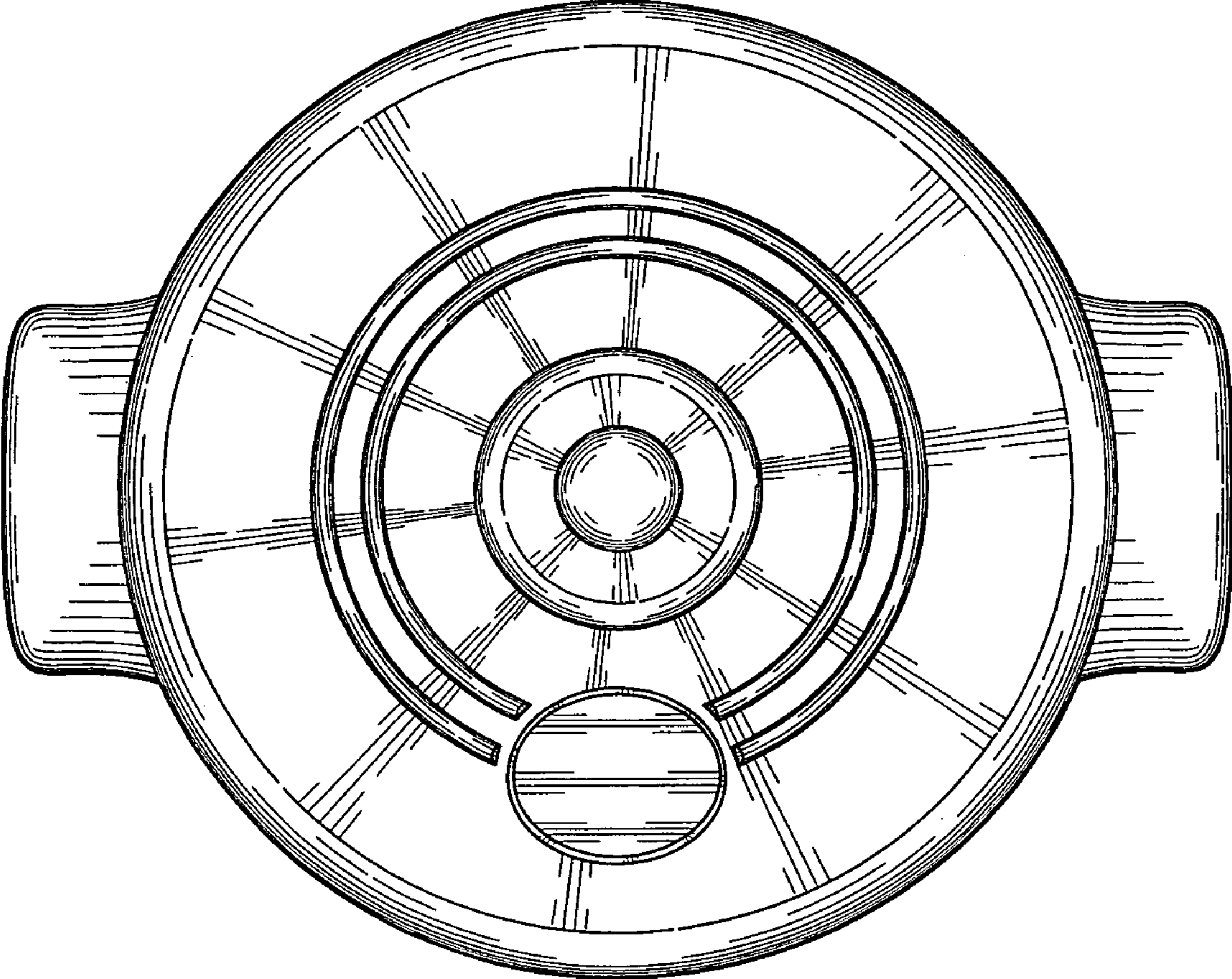


FIG. 5

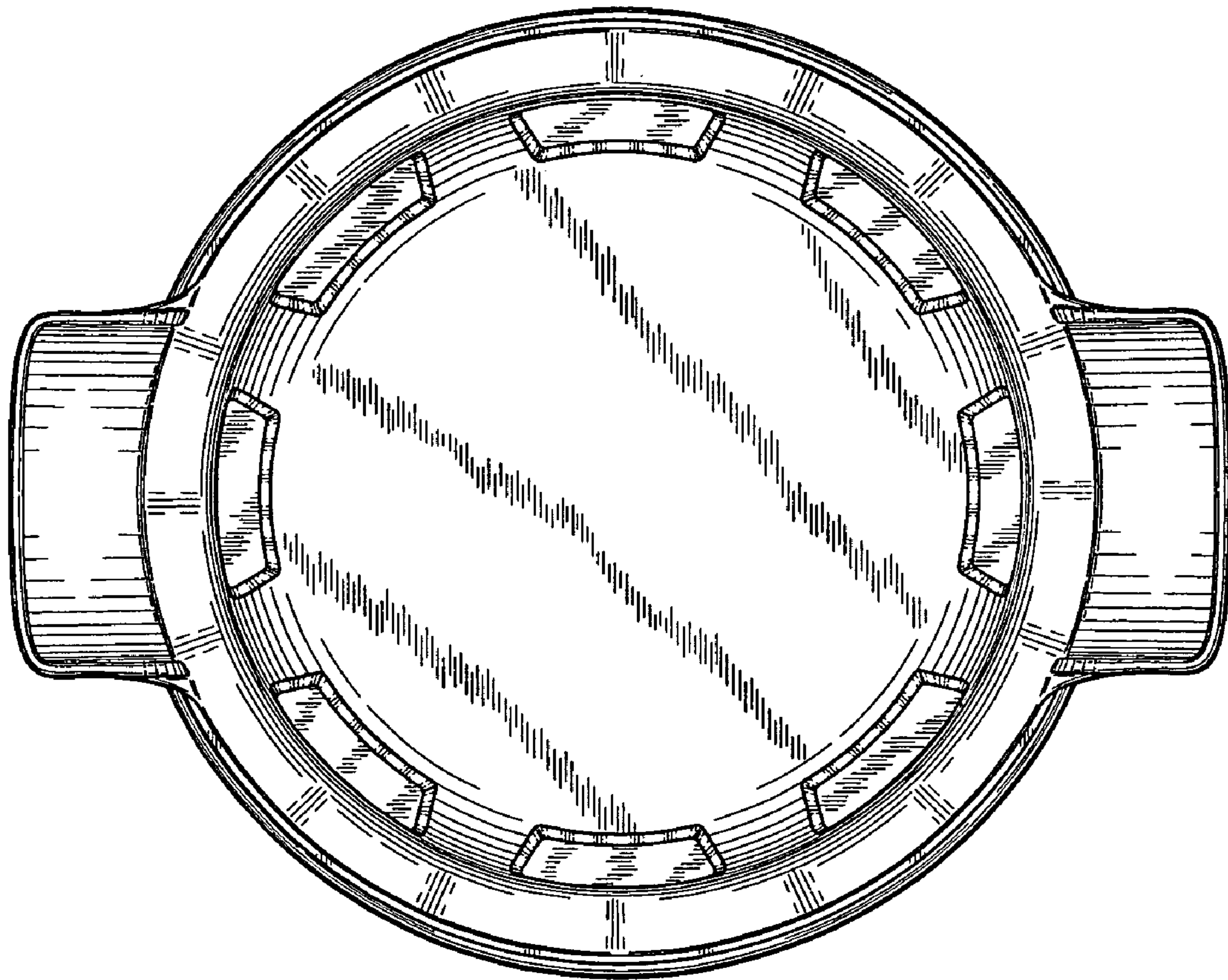


FIG. 6