



US00D557061S

(12) **United States Design Patent**  
**Genslak et al.**

(10) **Patent No.:** **US D557,061 S**

(45) **Date of Patent:** **\*\* Dec. 11, 2007**

(54) **TOASTER**

(75) Inventors: **Kristina J. Genslak**, St. Joseph, MI (US); **Ben C. Shao**, Westmont, IL (US)

(73) Assignee: **Whirlpool Corporation**, Benton Harbor, MI (US)

(\*\*) Term: **14 Years**

(21) Appl. No.: **29/225,610**

(22) Filed: **Mar. 18, 2005**

(51) **LOC (8) Cl.** ..... **07-02**

(52) **U.S. Cl.** ..... **D7/330**

(58) **Field of Classification Search** ..... D7/323,  
D7/328-333, 385, 390, 340, 341, 346, 354-365,  
D7/367, 402, 405-411; D13/158, 162, 162.1,  
D13/163; D21/525; 99/327, 331, 332, 357,  
99/375, 385; 219/214, 388, 405, 443.1, 450.1,  
219/492

See application file for complete search history.

(56) **References Cited**

**U.S. PATENT DOCUMENTS**

D124,059 S *	12/1940	Christenson et al.	.....	D7/330
2,309,640 A *	1/1943	Gough	.....	99/327
D151,113 S *	9/1948	Yaeger	.....	D7/330
D155,009 S *	8/1949	Huck	.....	D7/330
D298,997 S *	12/1988	Mezey	.....	D7/330
D378,971 S *	4/1997	Cruz	.....	D7/330
D414,373 S *	9/1999	Cruz	.....	D7/330
D417,119 S *	11/1999	Alonge et al.	.....	D7/330
D488,664 S *	4/2004	Seum et al.	.....	D7/330
D492,536 S *	7/2004	Wong et al.	.....	D7/330

D509,702 S *	9/2005	Picozza et al.	.....	D7/330
D520,801 S *	5/2006	Cuffaro et al.	.....	D7/330

\* cited by examiner

*Primary Examiner*—Caron D. Veynar

*Assistant Examiner*—Ricky Pham

(74) *Attorney, Agent, or Firm*—Tara M. Hartman; John F. Colligan

(57) **CLAIM**

The ornamental design for a toaster, as shown and described.

**DESCRIPTION**

FIG. 1 is a front perspective view of a toaster showing our new design;

FIG. 2 is a front elevational view thereof;

FIG. 3 is a rear elevational view thereof;

FIG. 4 is a left side elevational view thereof;

FIG. 5 is a right side elevational view thereof

FIG. 6 is a top plan view thereof;

FIG. 7 is a front perspective view of a toaster showing our new design in another embodiment;

FIG. 8 is a front elevational view thereof;

FIG. 9 is a rear elevational view thereof;

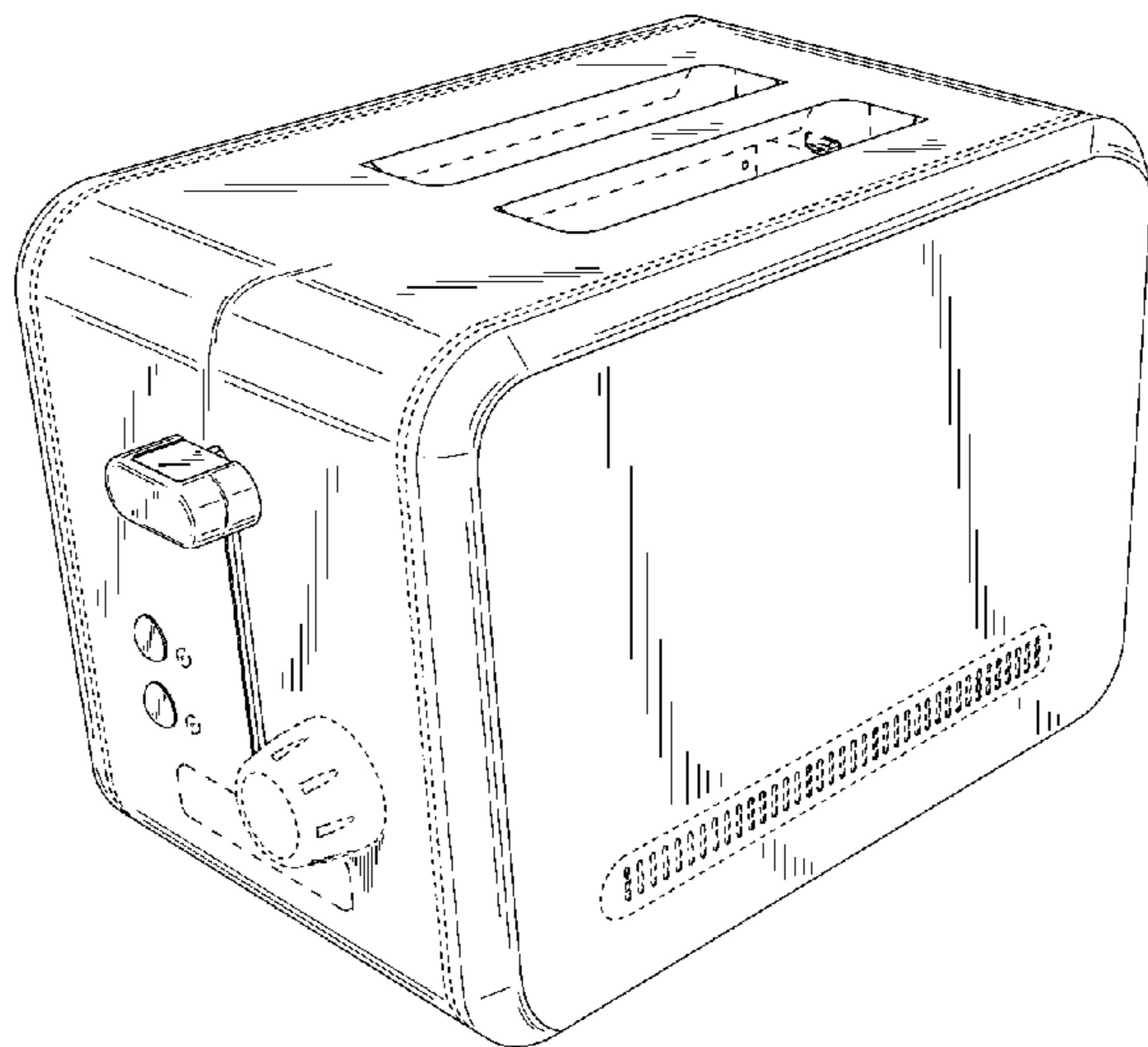
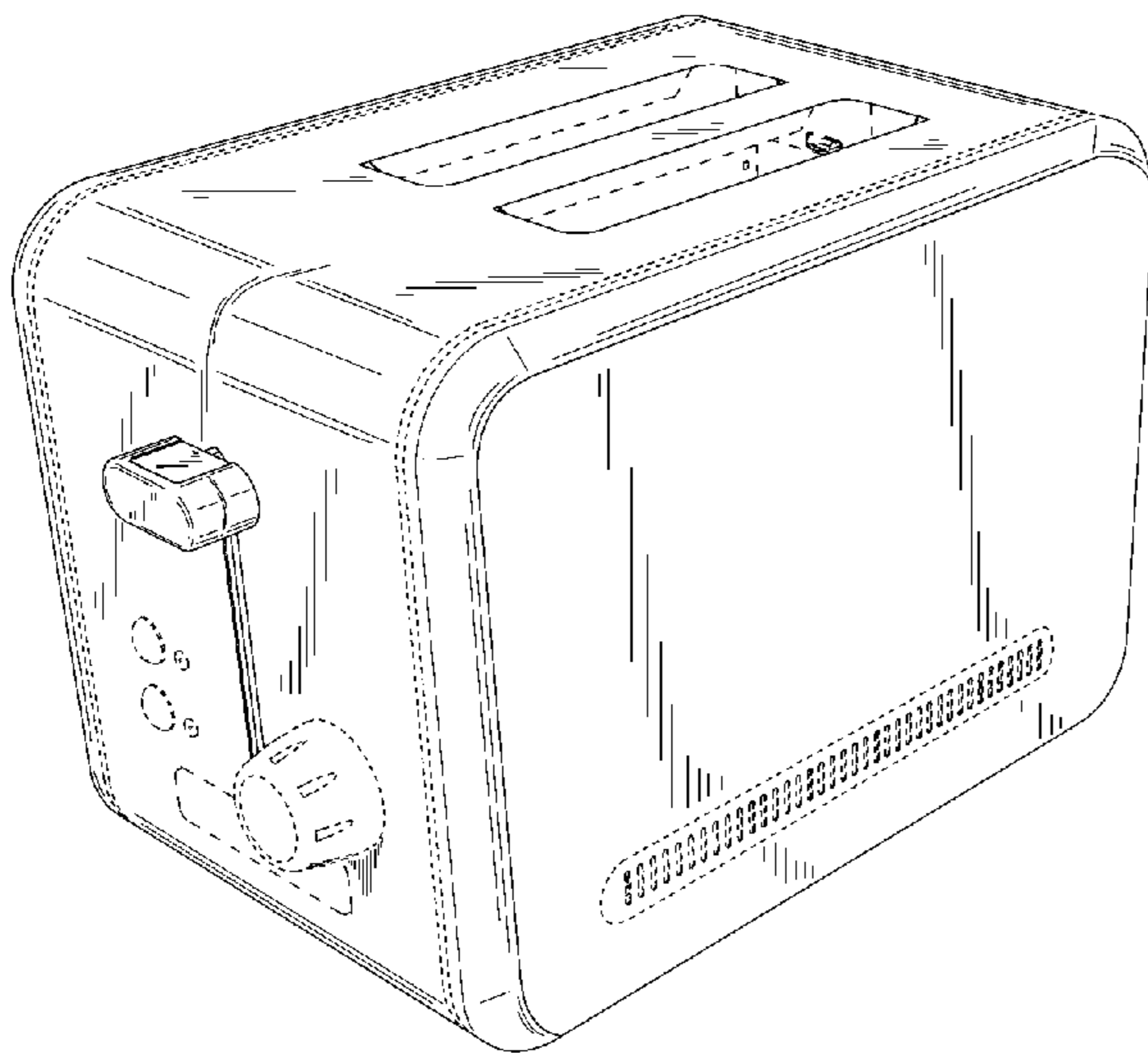
FIG. 10 is a left side elevational view thereof;

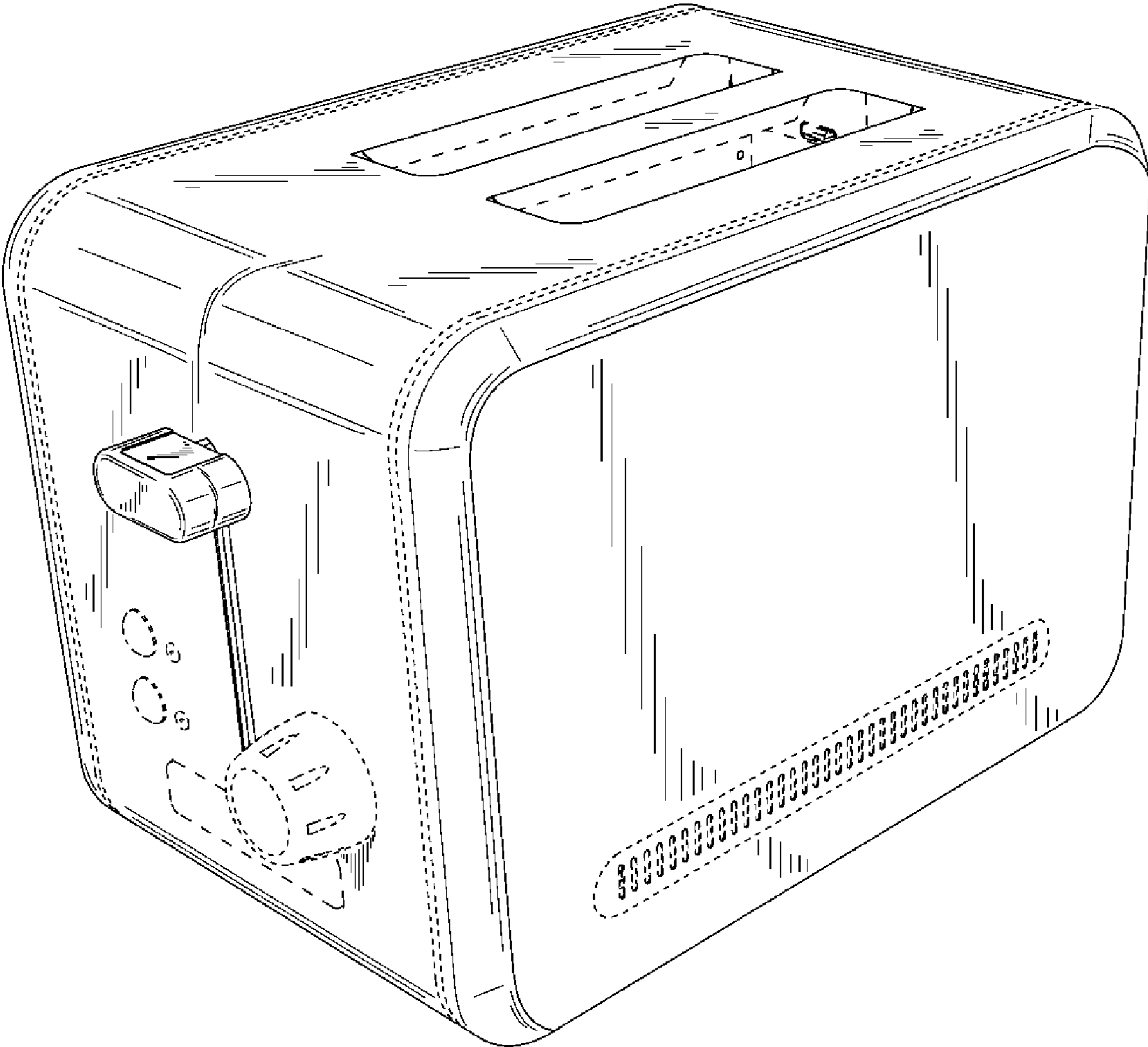
FIG. 11 is a right side elevational view thereof; and,

FIG. 12 is a top plan view thereof.

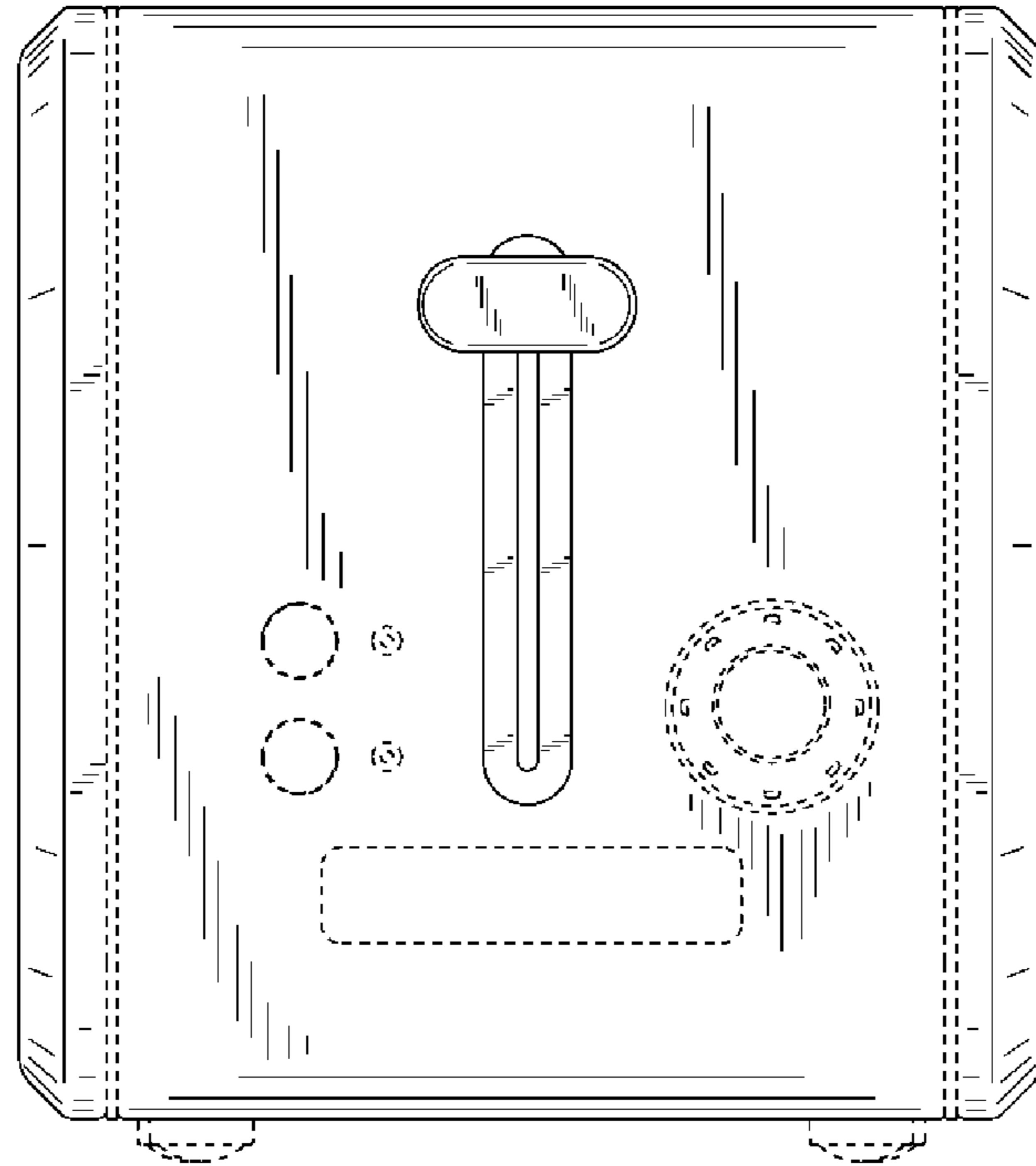
The portions shown in broken lines are for illustrative purposes only and form no part of the claimed design.

**1 Claim, 8 Drawing Sheets**

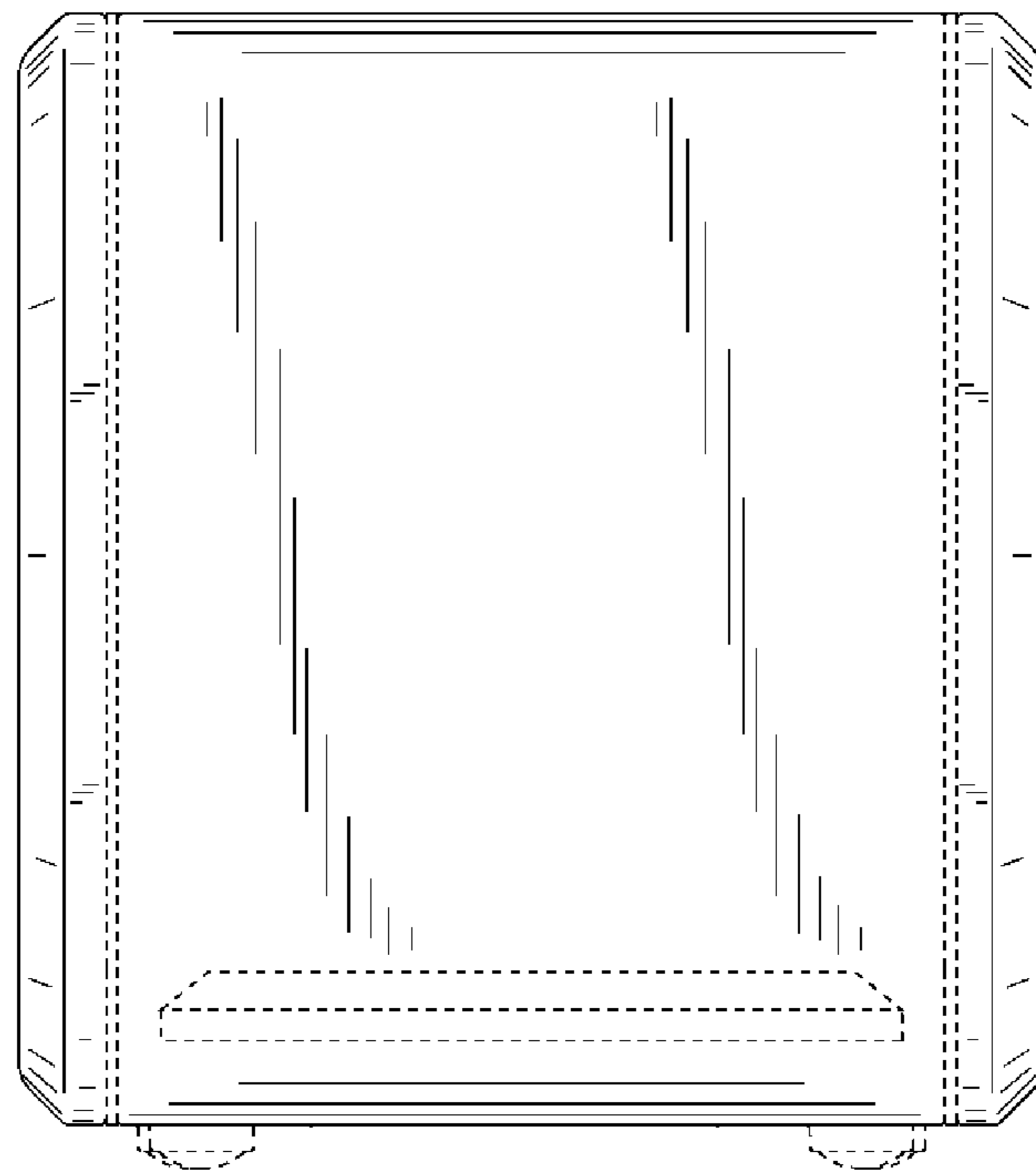




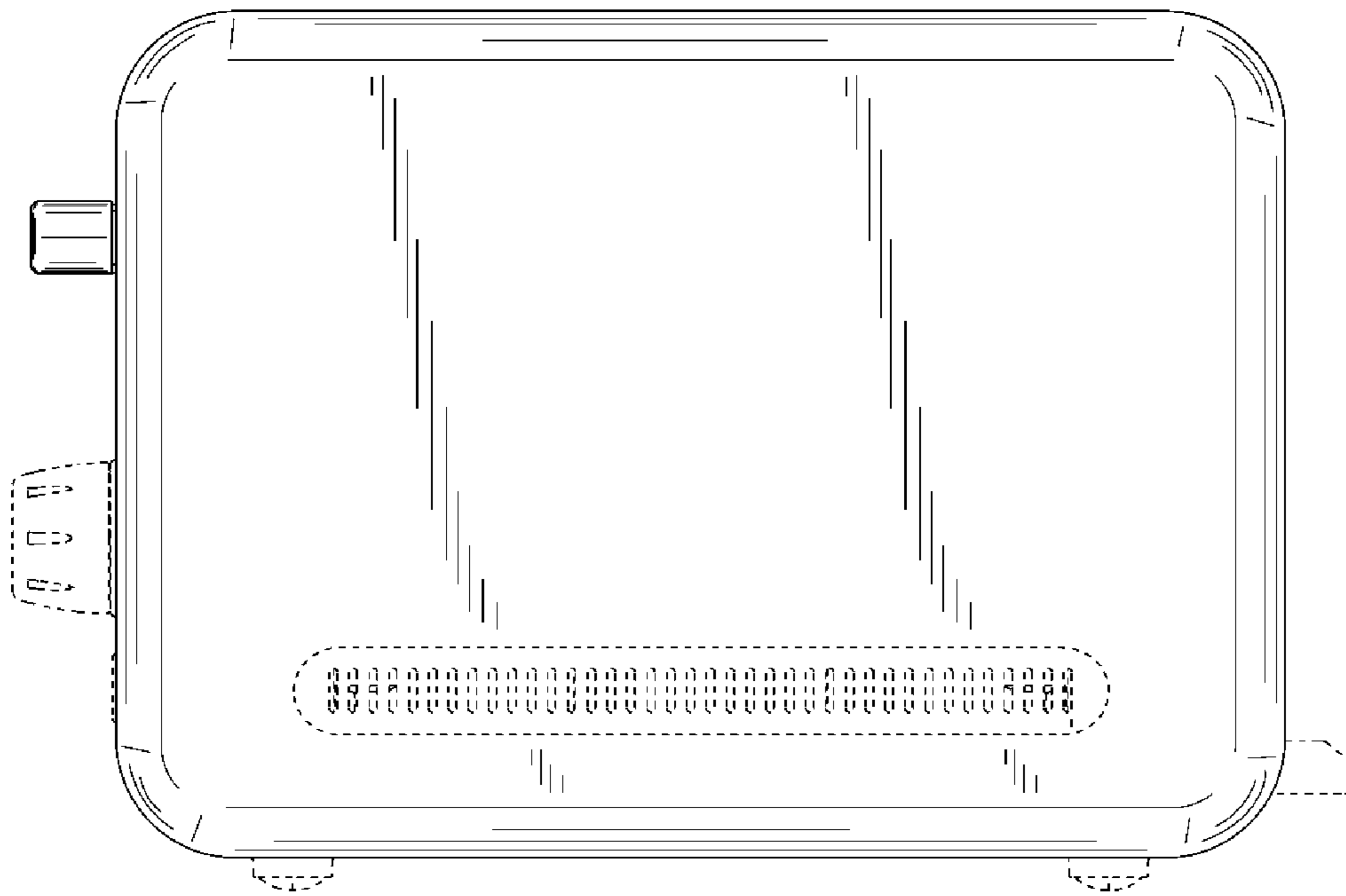
**Fig. 1**



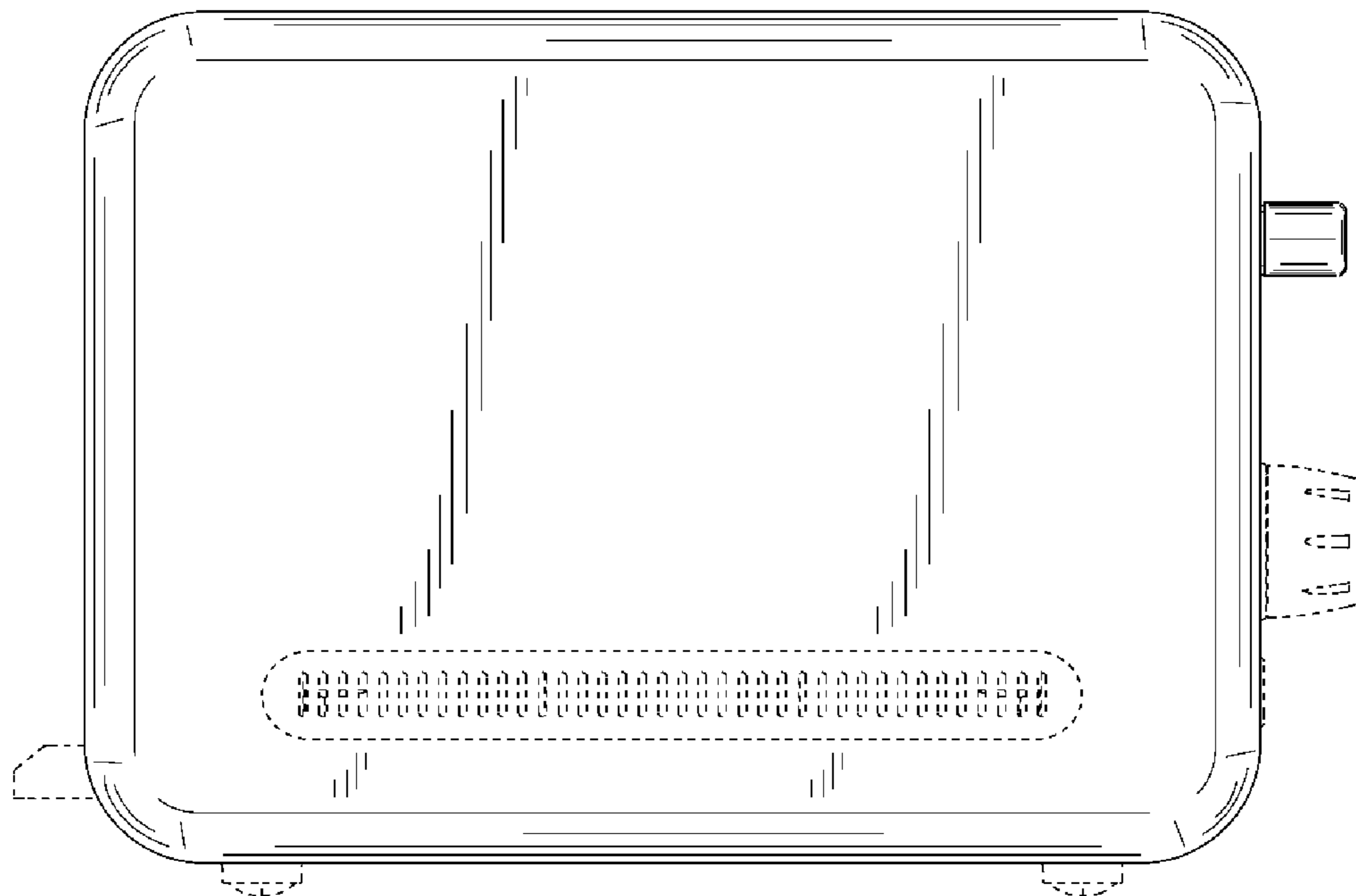
**Fig. 2**



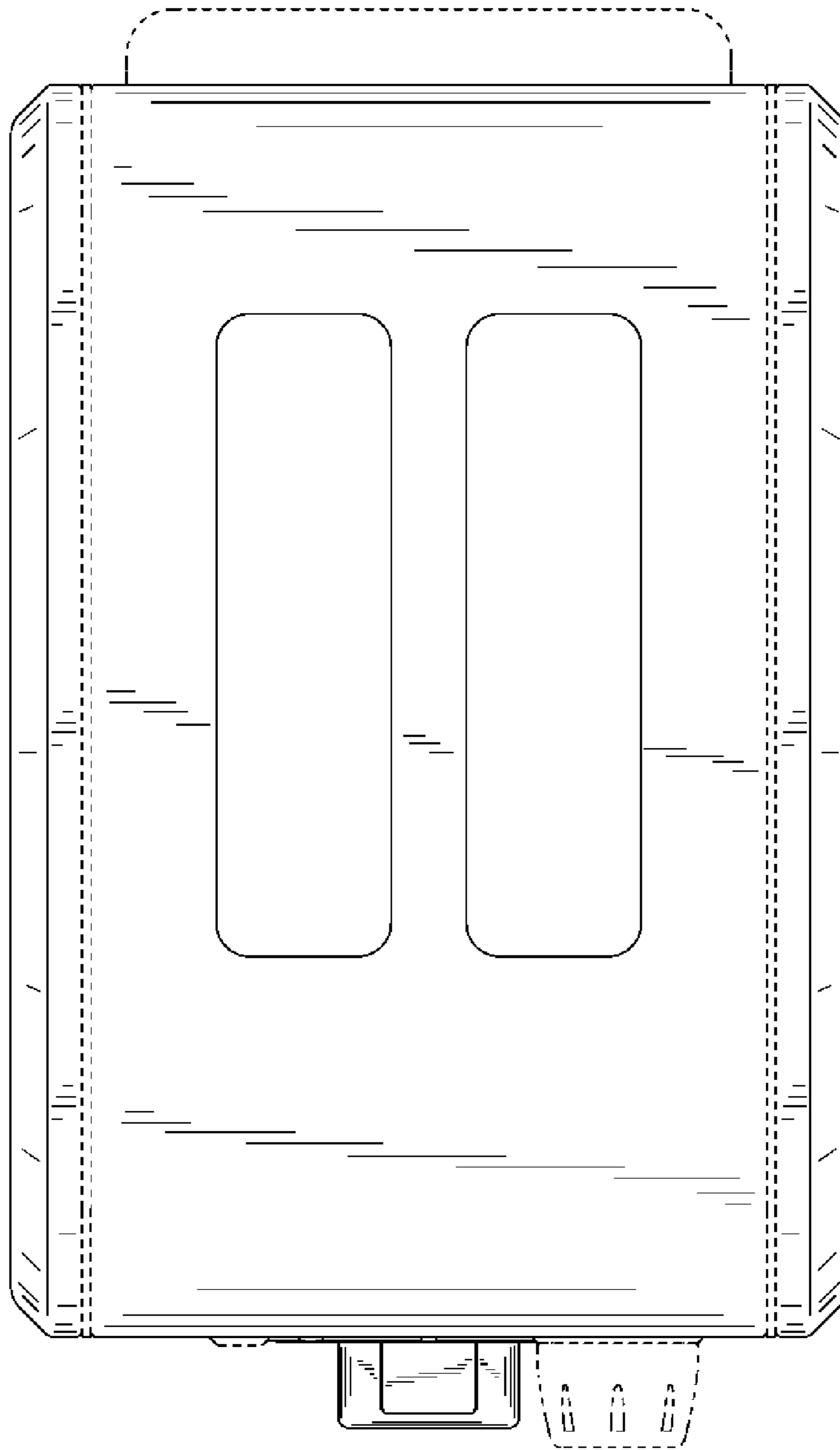
**Fig. 3**



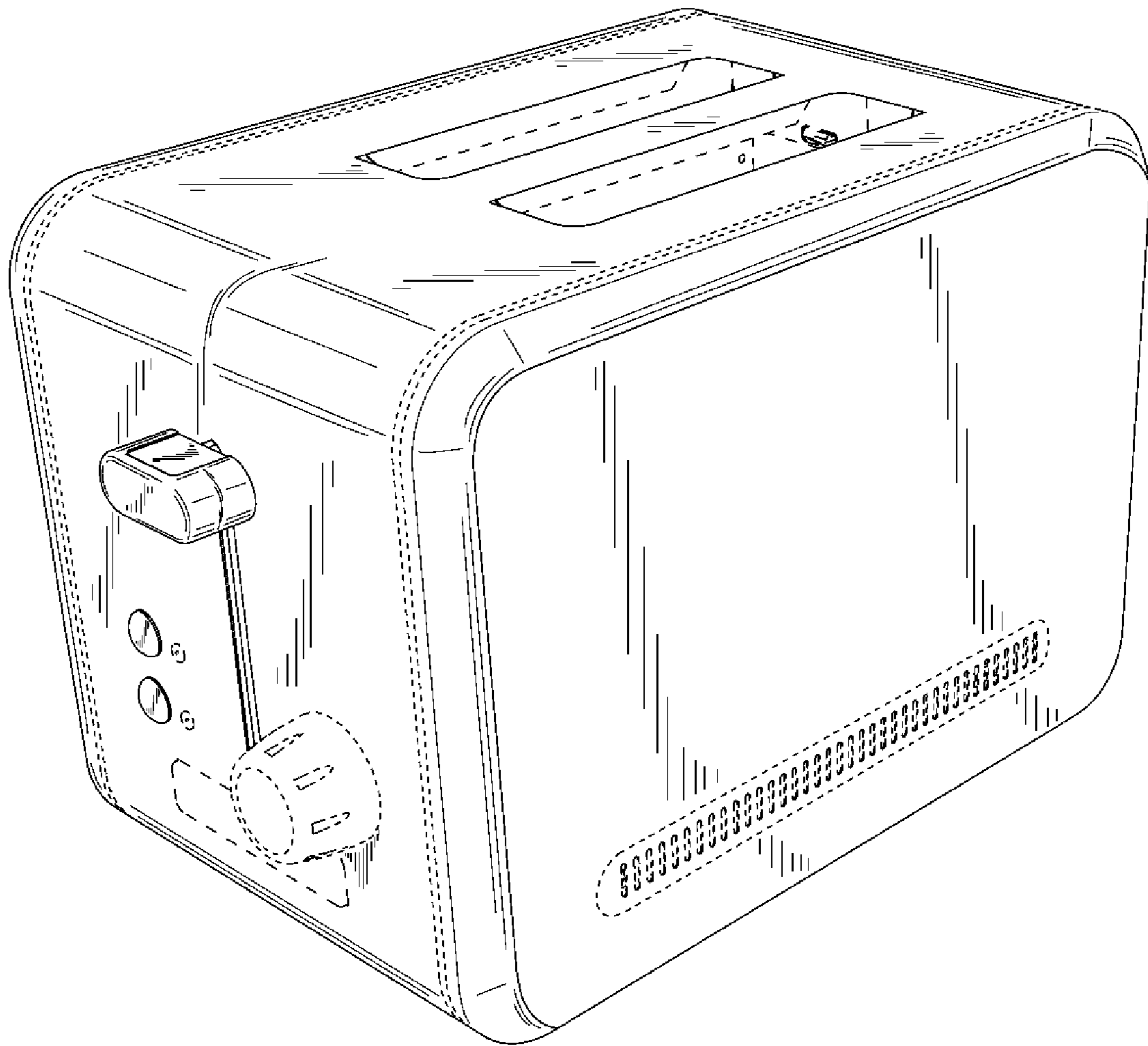
**Fig 4**



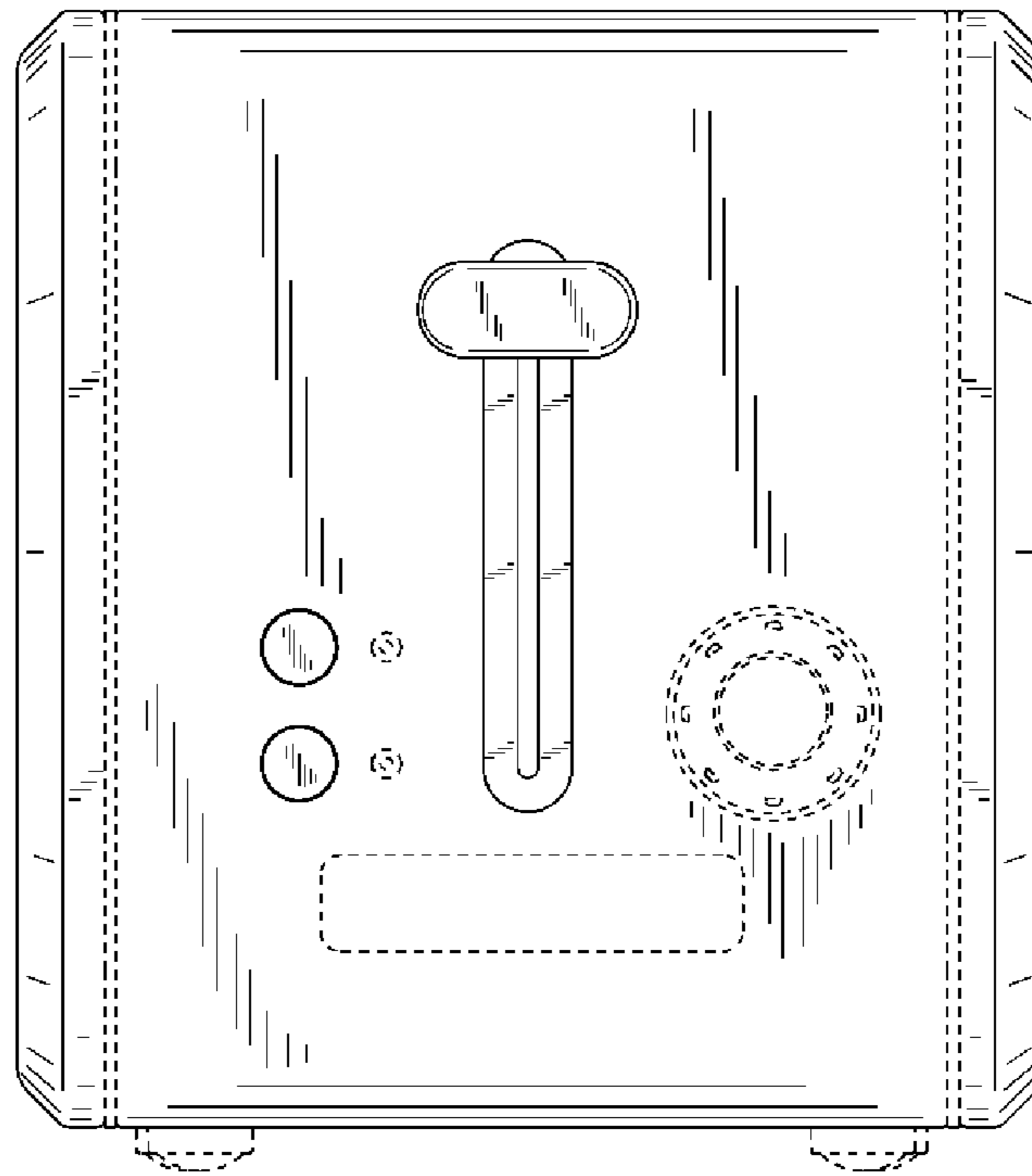
**Fig 5**



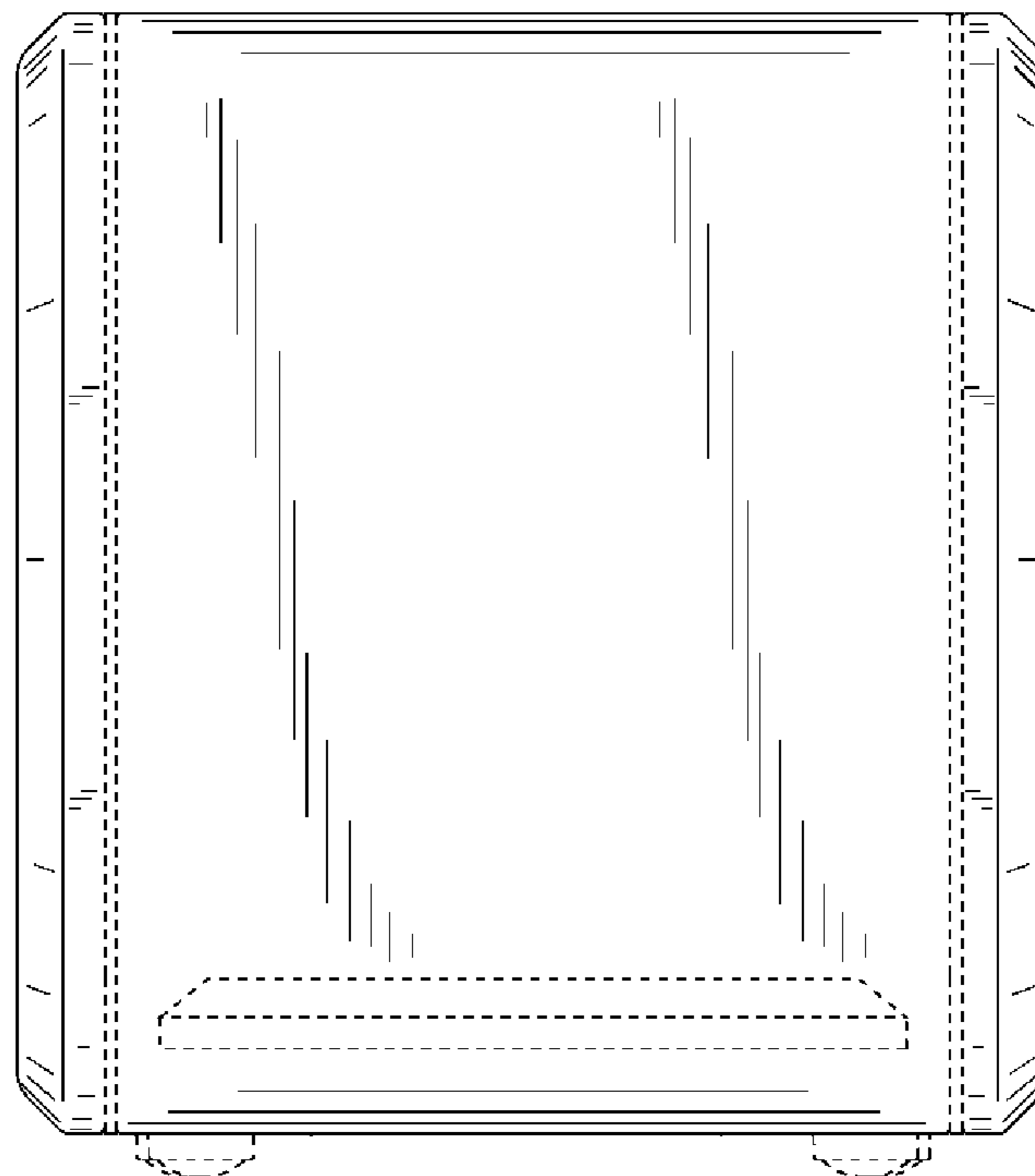
**Fig. 6**



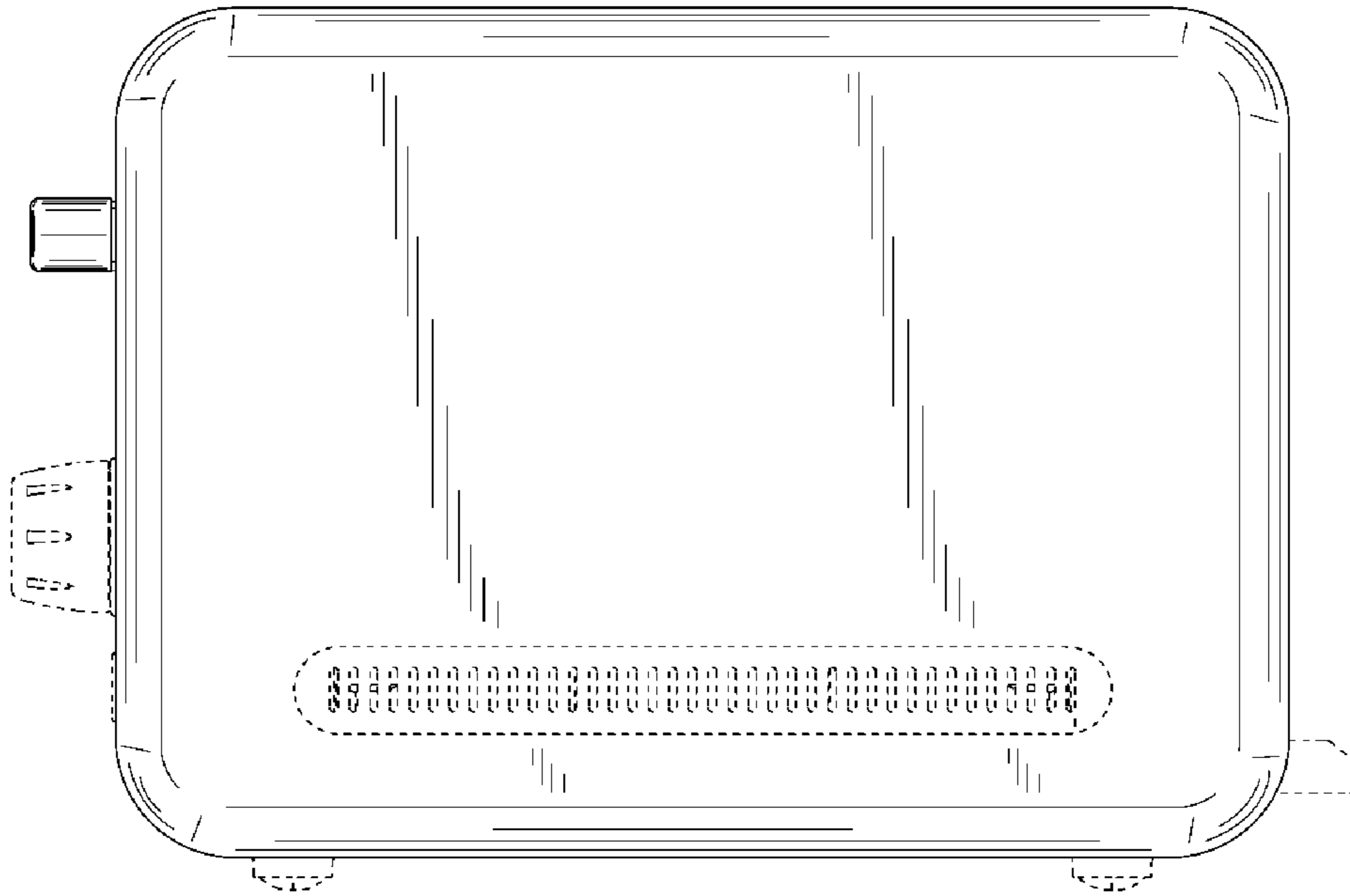
**Fig. 7**



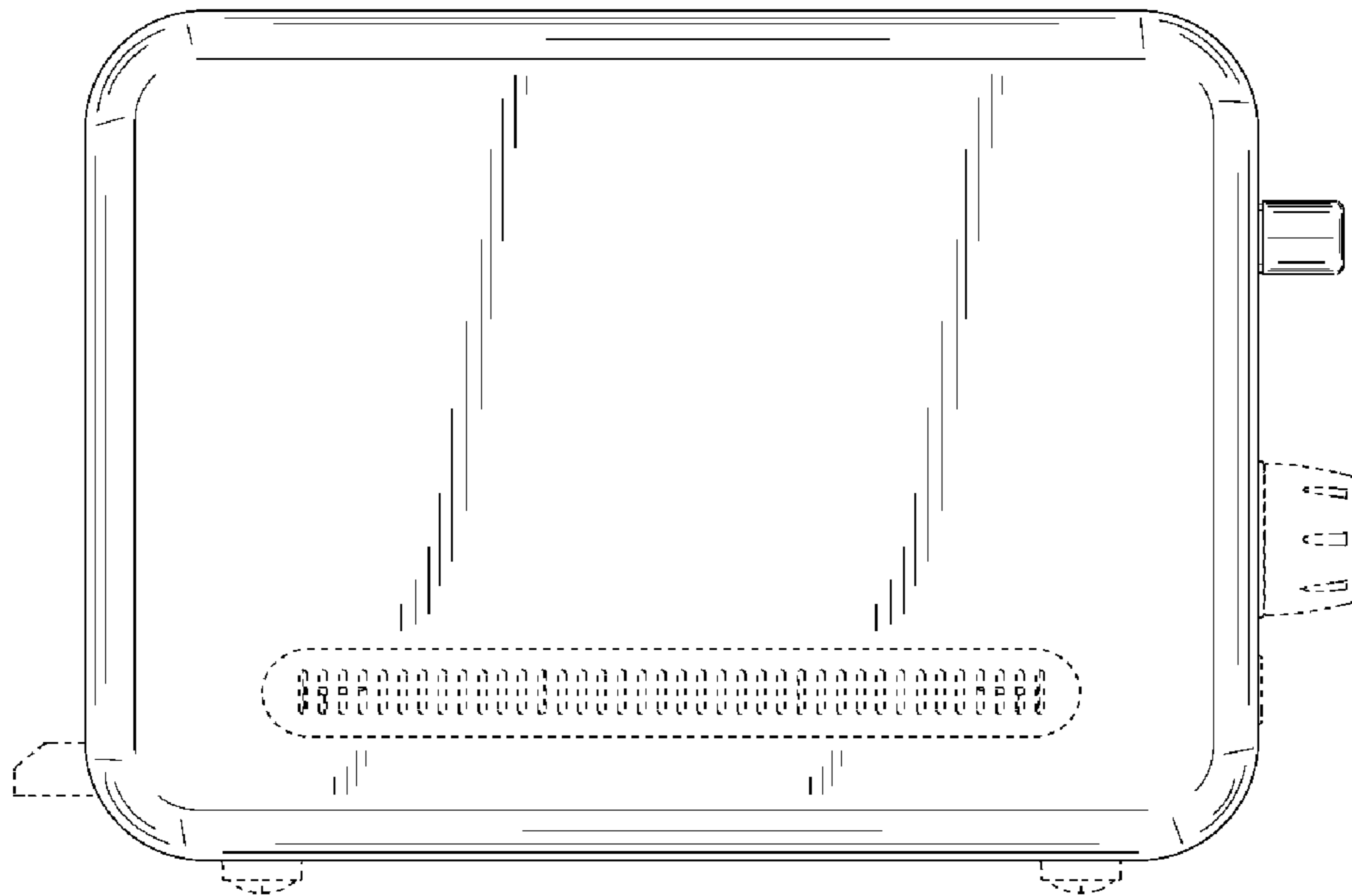
**Fig. 8**



**Fig. 9**

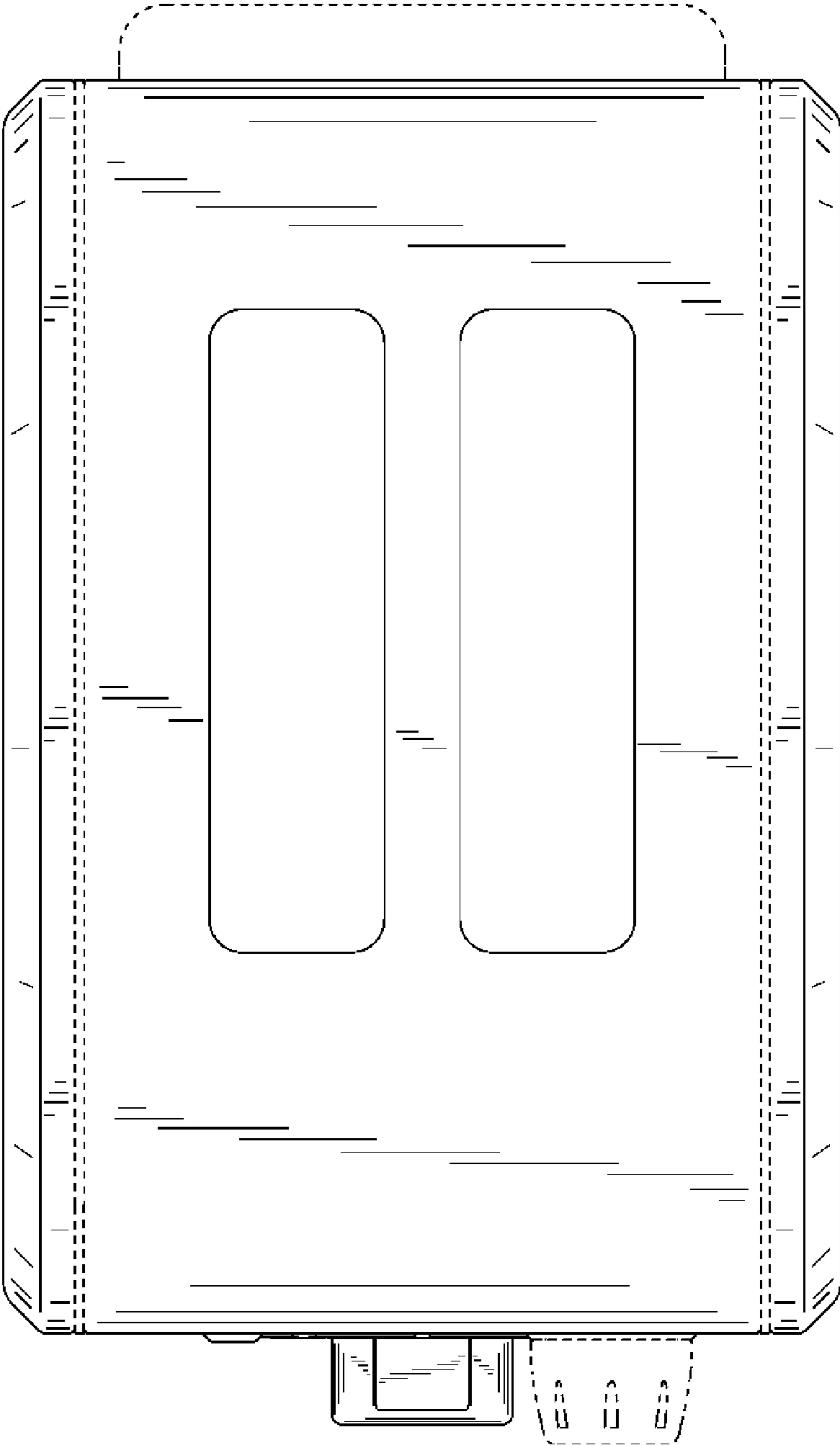


**Fig. 10**



**Fig. 11**





**Fig. 12**