



US00D557059S

(12) **United States Design Patent**
Lin

(10) **Patent No.:** **US D557,059 S**

(45) **Date of Patent:** **** Dec. 11, 2007**

(54) **COFFEE MAKER**

D515,348 S * 2/2006 McWilliam D7/309

(75) Inventor: **Yu-Yuan Lin**, Tainan (TW)

* cited by examiner

(73) Assignee: **Uni-Splendor Corp.**, Tainan (TW)

Primary Examiner—Marianne N Pandozzi
(74) *Attorney, Agent, or Firm*—Alan Kamrath; Kamrath & Associates P.A.

(**) Term: **14 Years**

(21) Appl. No.: **29/259,017**

(57) **CLAIM**

(22) Filed: **May 1, 2006**

The ornamental design for a coffee maker, as shown and described.

(51) **LOC (8) Cl.** **07-01**

(52) **U.S. Cl.** **D7/309; D7/306; D7/311**

(58) **Field of Classification Search** D7/300,
D7/306, 309, 310, 311; 99/304, 281, 286,
99/279, 282

See application file for complete search history.

DESCRIPTION

FIG. 1 is a perspective view of a coffee maker showing my new design;

FIG. 2 is a front side elevational view thereof;

FIG. 3 is a rear side elevational view thereof;

FIG. 4 is a left side elevational view thereof;

FIG. 5 is a right side elevational view thereof;

FIG. 6 is a top plan view thereof; and,

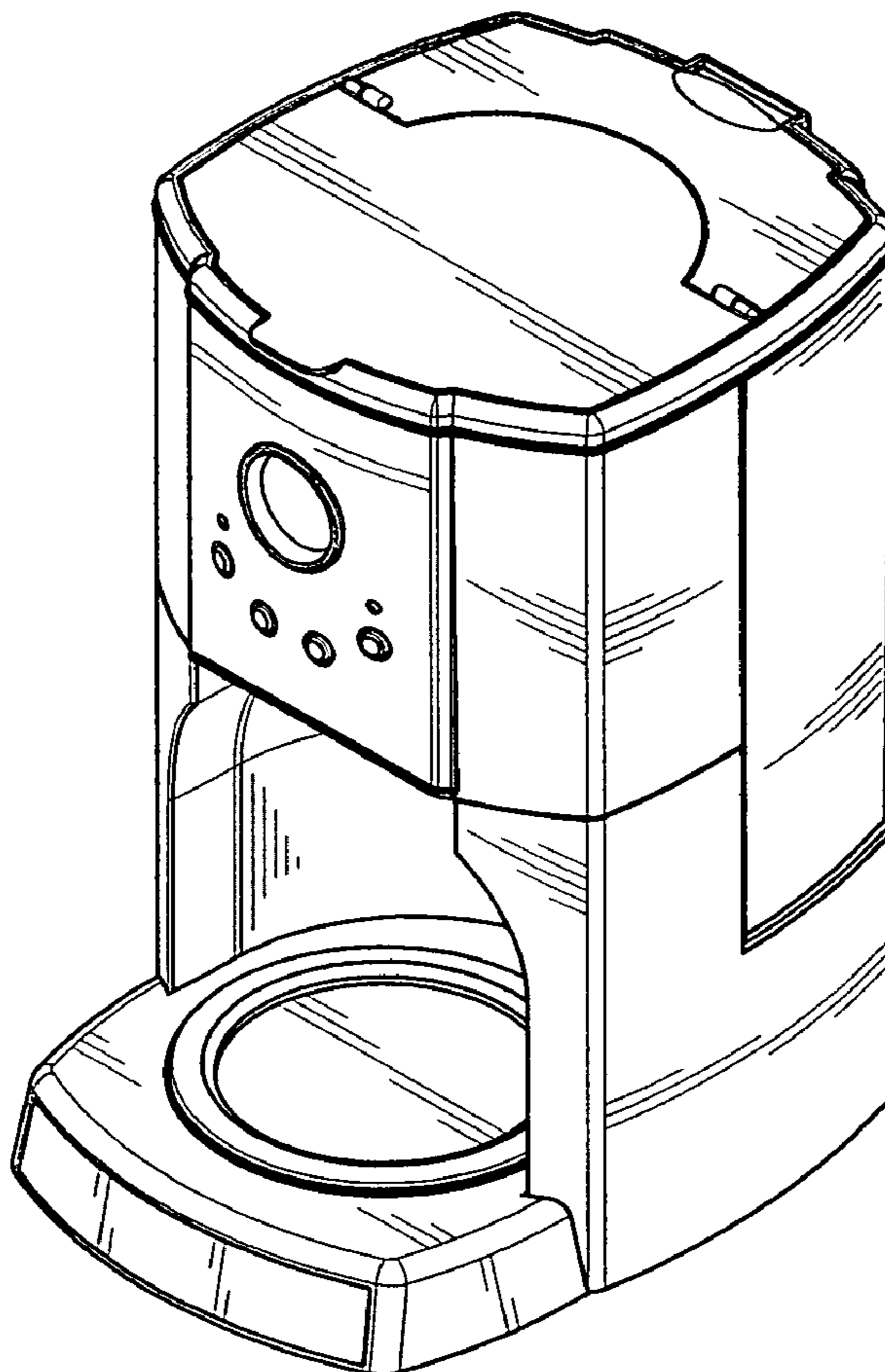
FIG. 7 is a bottom plan view thereof.

(56) **References Cited**

U.S. PATENT DOCUMENTS

- D478,461 S * 8/2003 Hoard D7/309
- D486,346 S * 2/2004 Jonsson D7/309
- D495,190 S * 8/2004 Picozza et al. D7/309
- D502,628 S * 3/2005 Ledingham et al. D7/309
- D514,865 S * 2/2006 Steiner D7/309

1 Claim, 4 Drawing Sheets



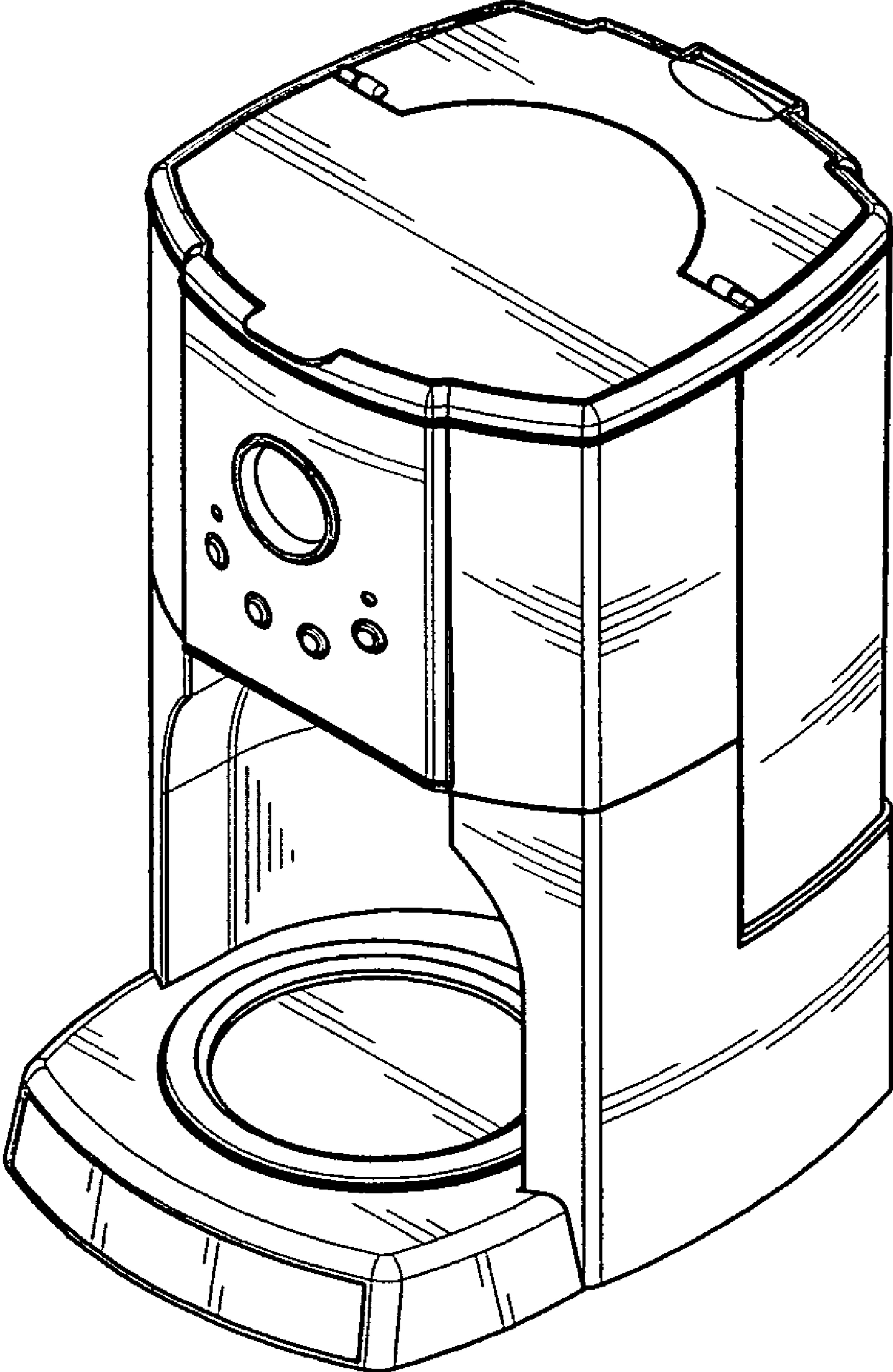


FIG. 1

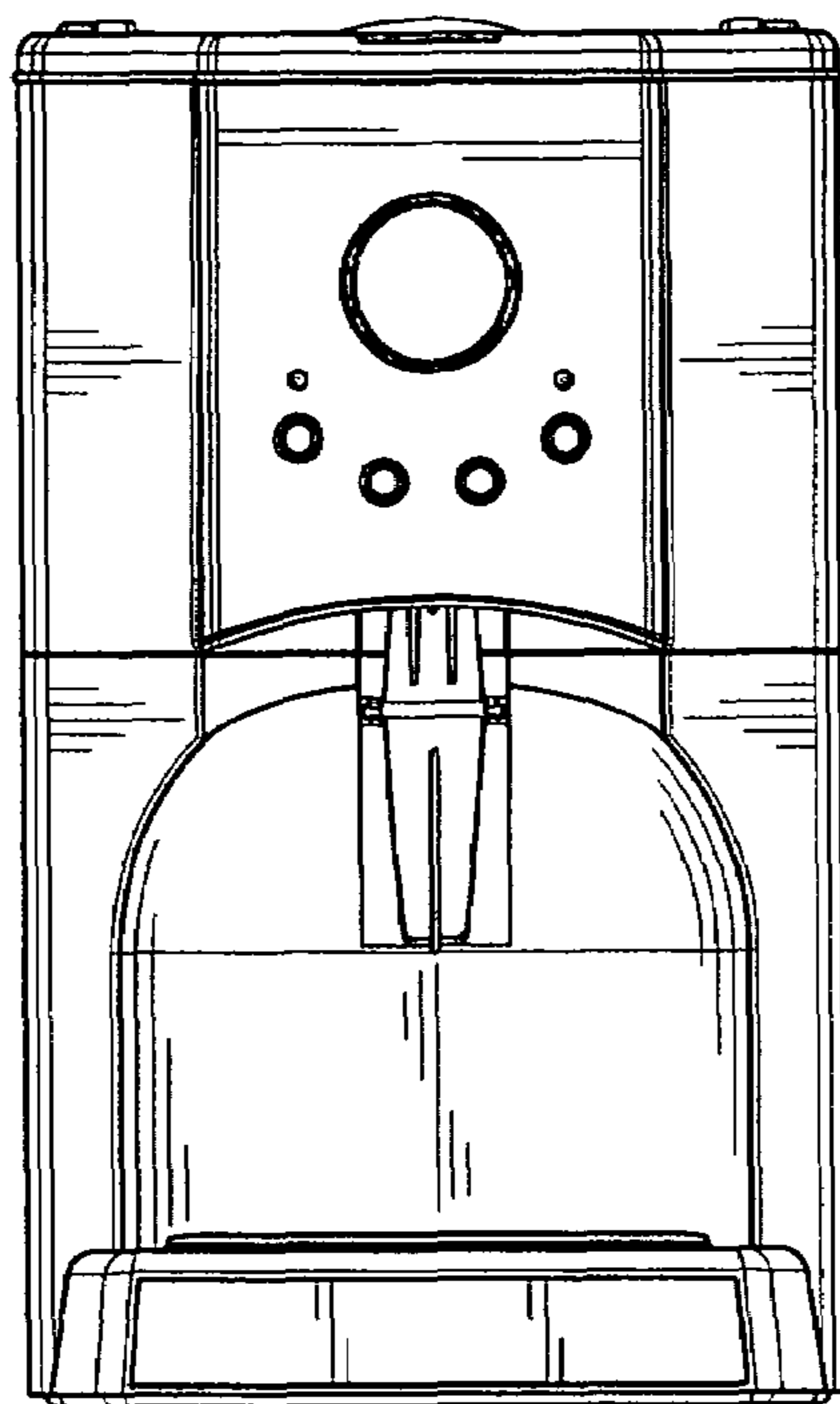


FIG. 2

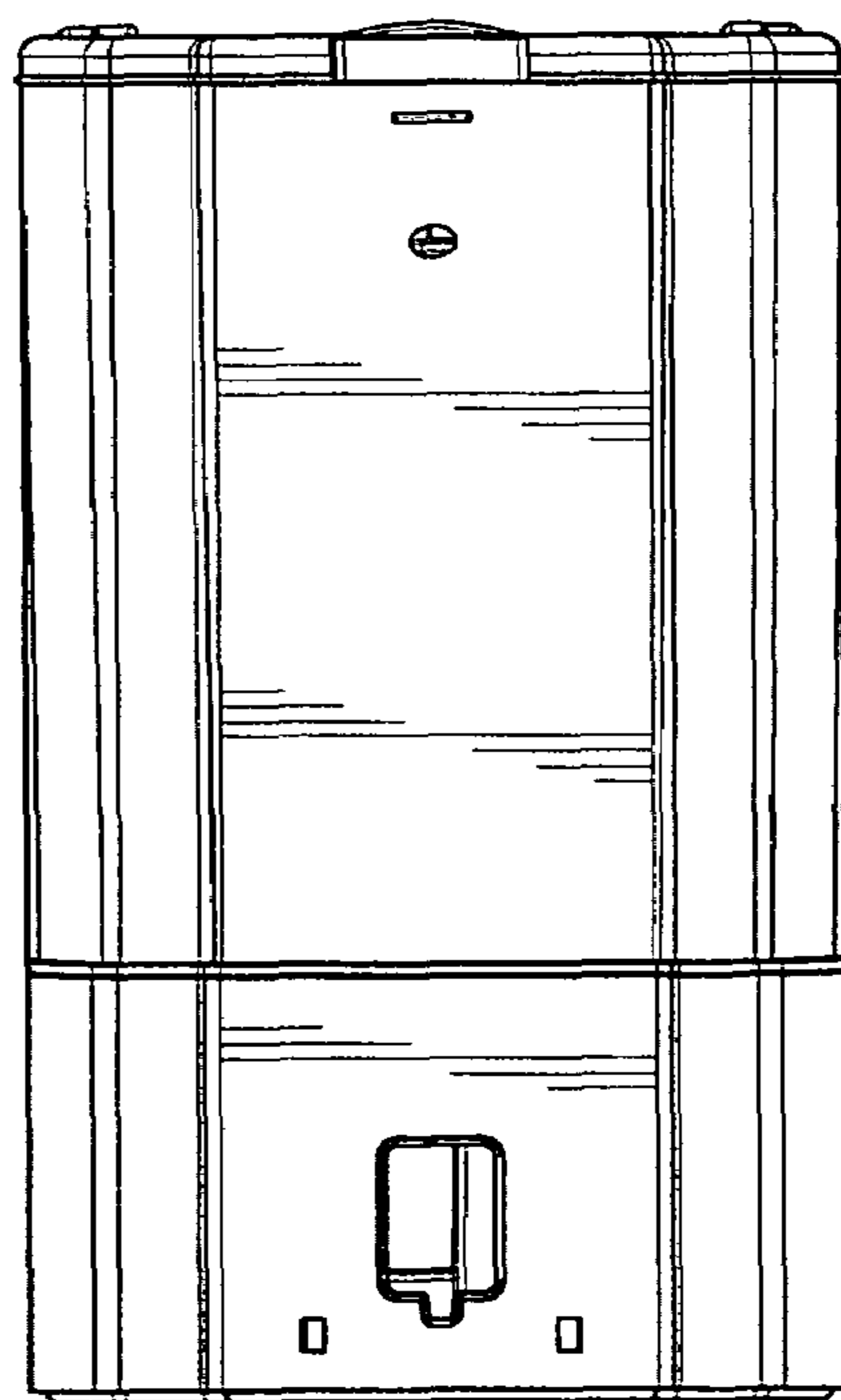


FIG. 3

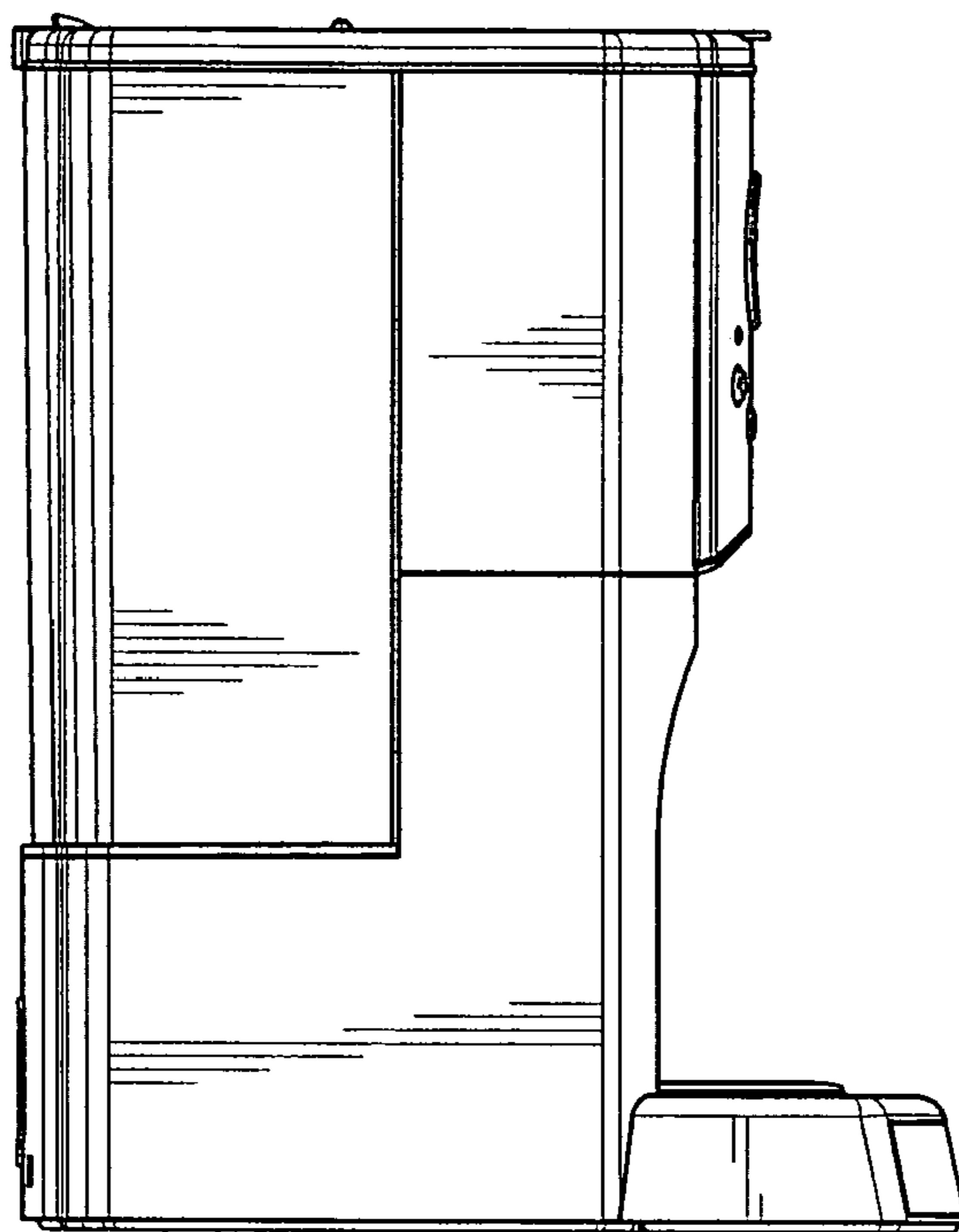


FIG. 4

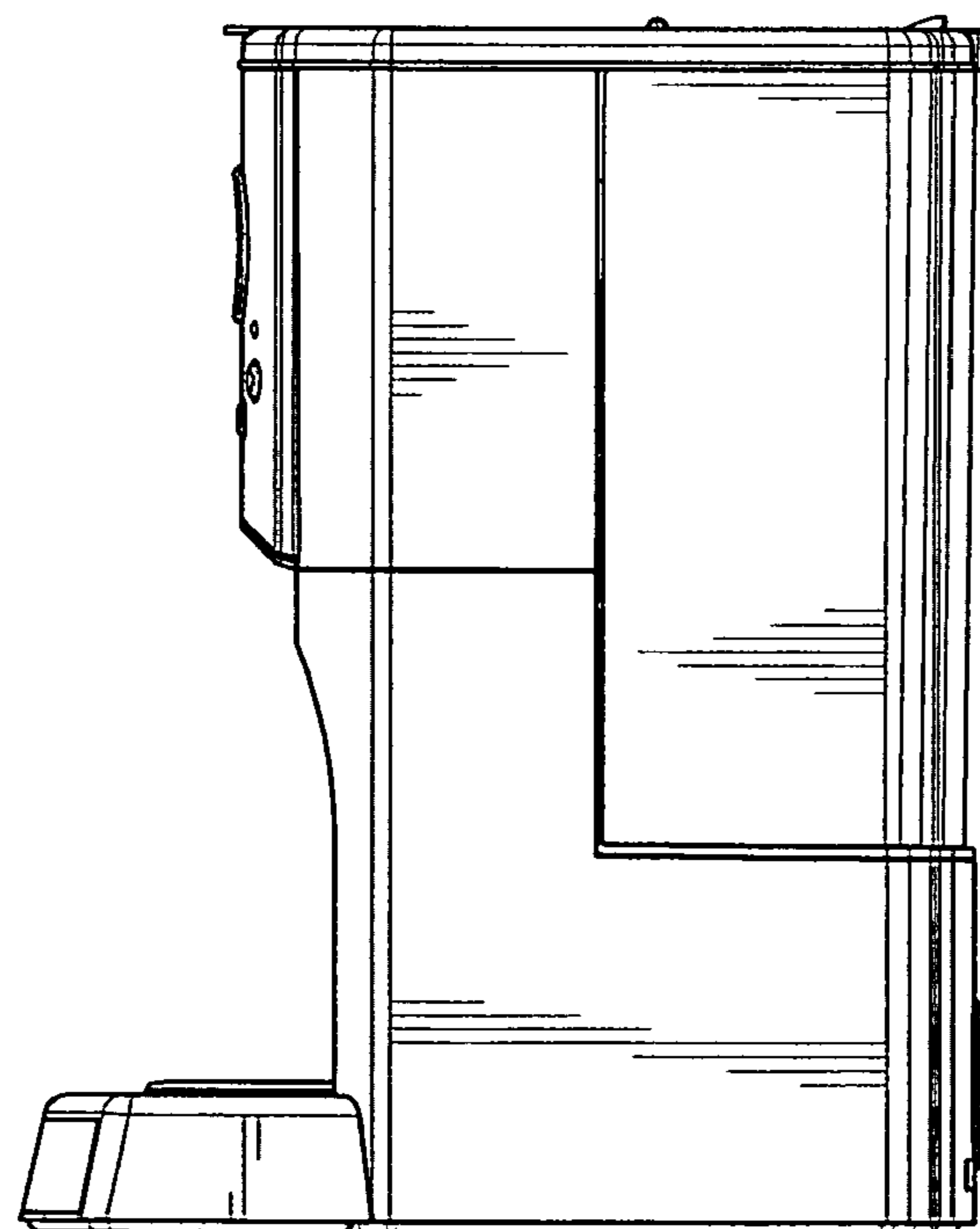


FIG. 5

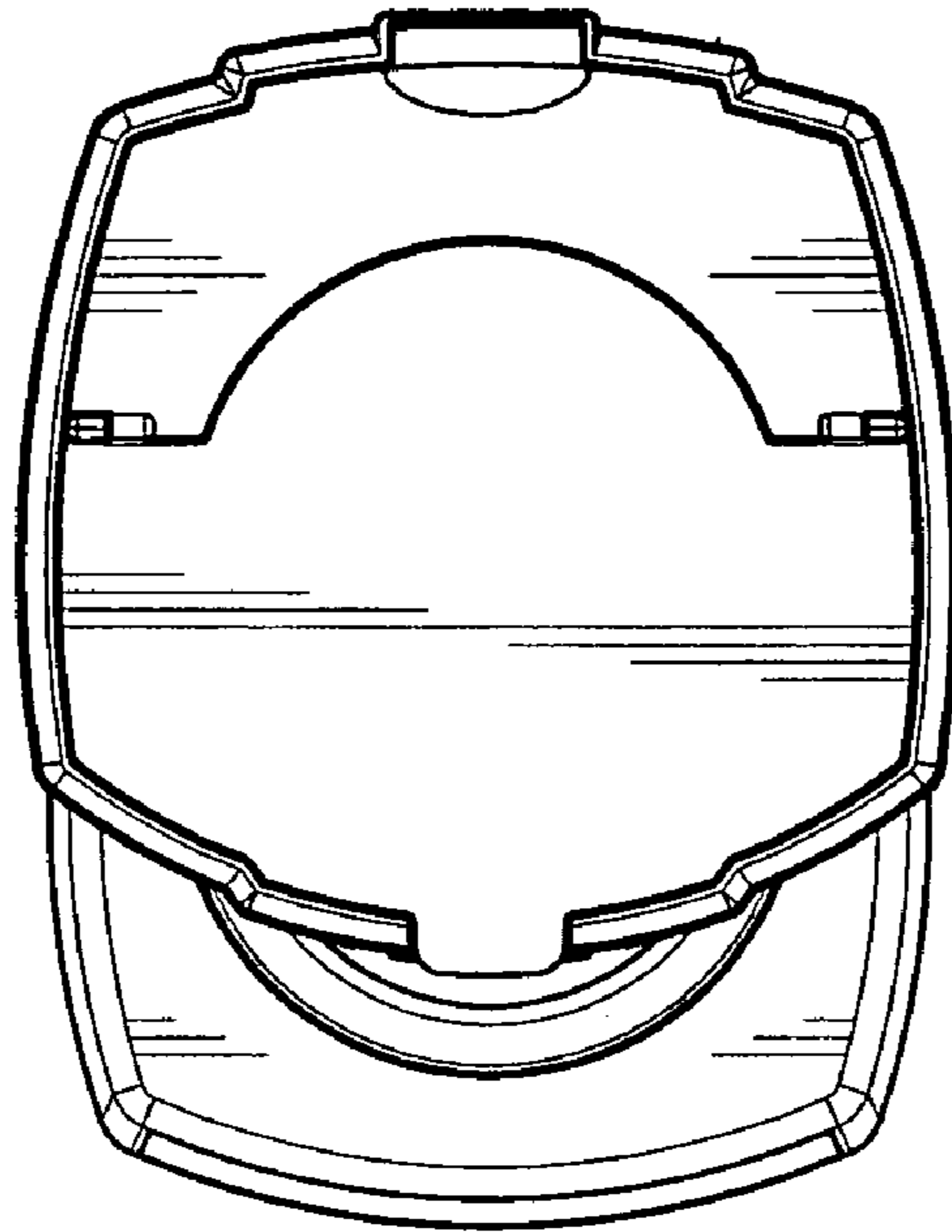


FIG. 6

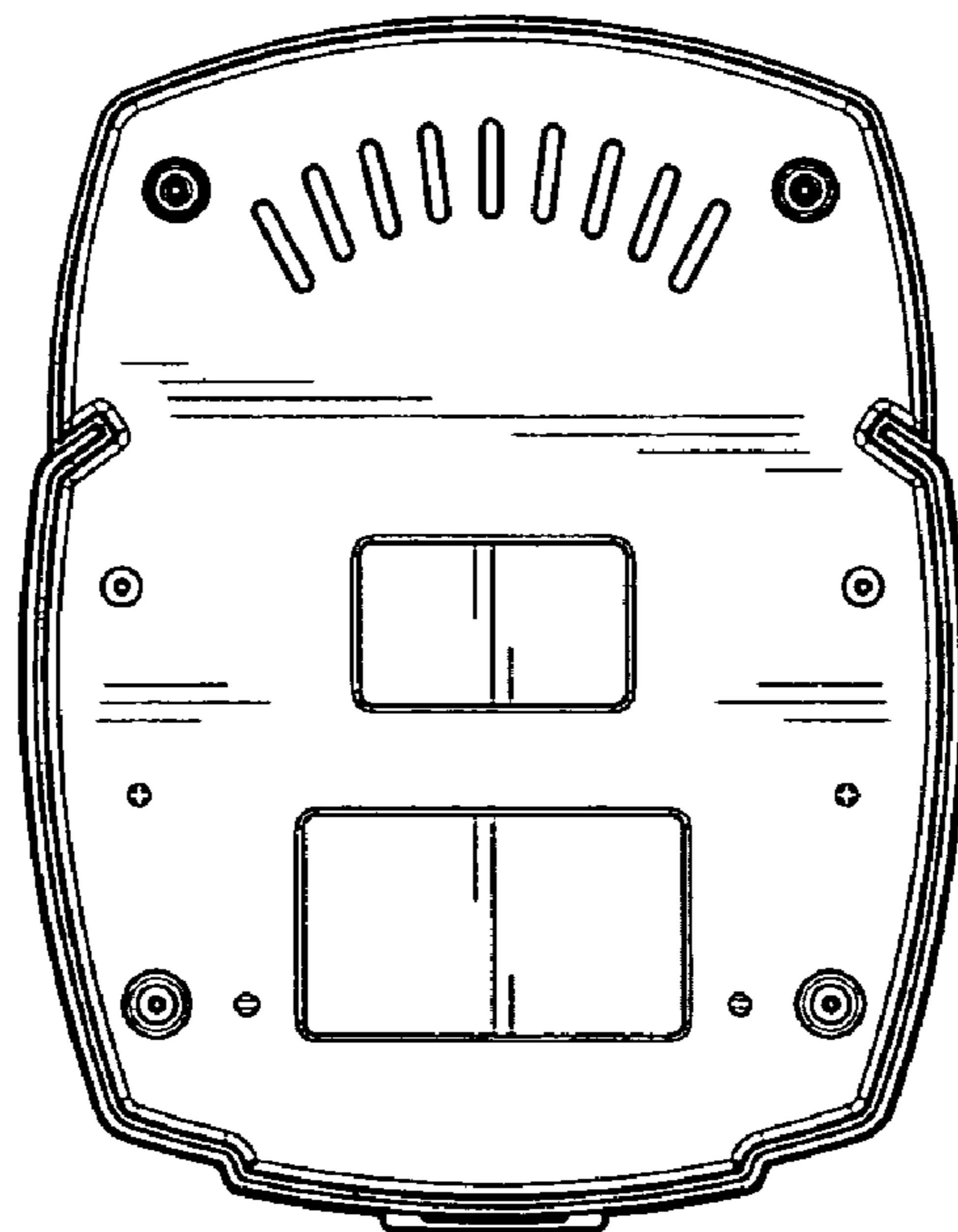


FIG. 7