



US00D557058S

(12) **United States Design Patent**
Lebot et al.

(10) **Patent No.:** **US D557,058 S**

(45) **Date of Patent:** **** Dec. 11, 2007**

(54) **ELECTRIC COFFEE MAKER**

(75) Inventors: **Laurent Lebot**, Nantes (FR); **Victor Massip**, Nantes (FR)

(73) Assignee: **SEB S.A.**, Ecully (FR)

(**) Term: **14 Years**

(21) Appl. No.: **29/253,234**

(22) Filed: **Feb. 3, 2006**

(30) **Foreign Application Priority Data**

Aug. 4, 2005 (FR) 053974

(51) **LOC (8) Cl.** **07-01**

(52) **U.S. Cl.** **D7/309; D7/311; D7/307**

(58) **Field of Classification Search** D7/309-311,
D7/306-308, 300; 222/129.1, 129.2, 129.3,
222/129.4, 145.5; 99/300, 306, 307, 280,
99/283, 295

See application file for complete search history.

(56) **References Cited**

U.S. PATENT DOCUMENTS

D455,313 S * 4/2002 Azadi D7/306
6,792,847 B2 * 9/2004 Tobin et al. 99/275
D501,751 S * 2/2005 Lin D7/309

D502,627 S * 3/2005 Cahen D7/306
D502,628 S * 3/2005 Ledingham et al. D7/309
D503,064 S * 3/2005 Since D7/309
D525,816 S * 8/2006 Felty D7/309

* cited by examiner

Primary Examiner—M. N. Pandozzi

(74) *Attorney, Agent, or Firm*—Young & Thompson

(57) **CLAIM**

The ornamental design for an electric coffee maker, as shown.

DESCRIPTION

FIG. 1 is a top, front and side perspective view of an electric coffee maker showing our new design;

FIG. 2 is a front elevational view thereof;

FIG. 3 is a side elevational view thereof from the left of FIG. 2;

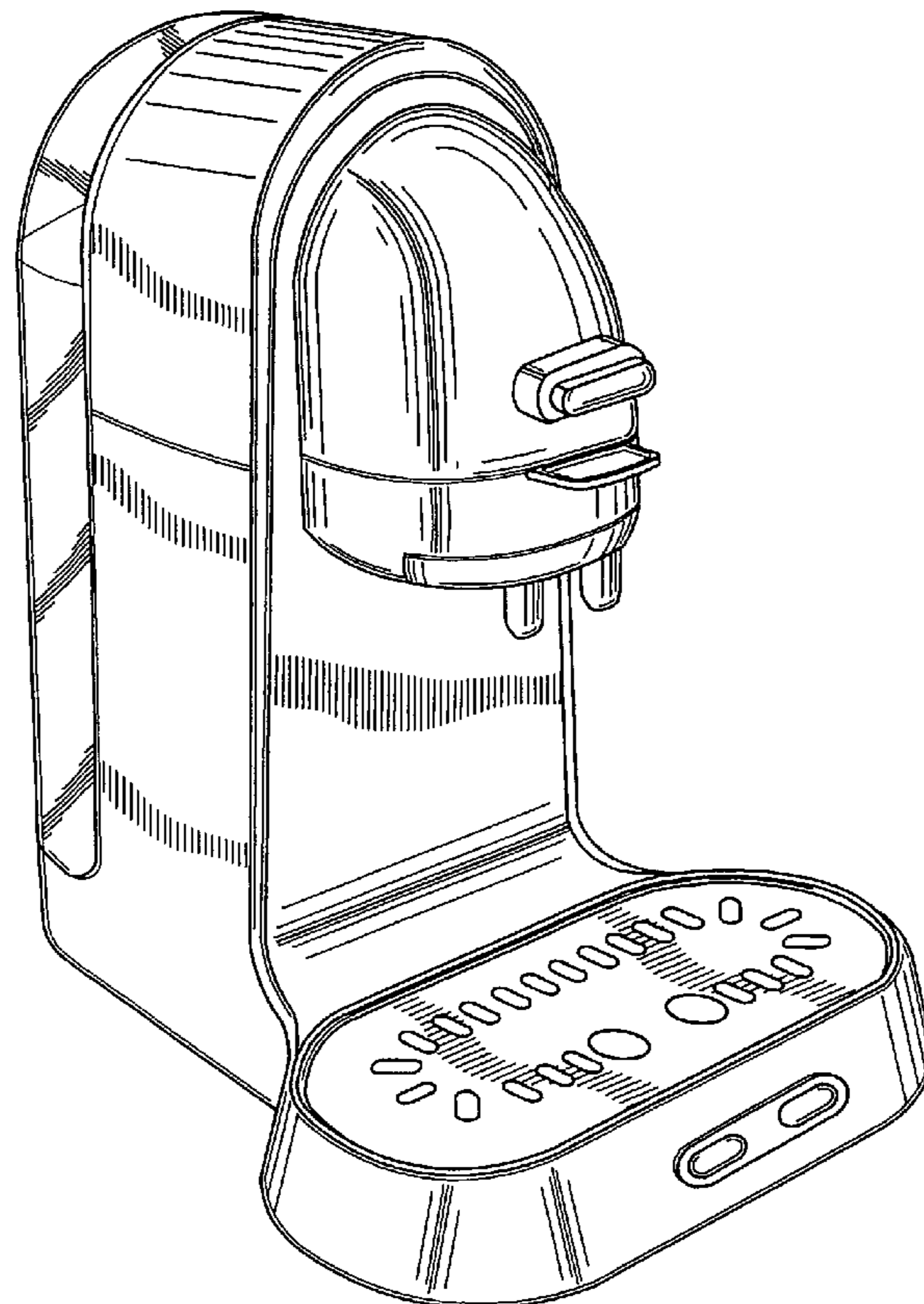
FIG. 4 is a side elevational view thereof from the right of FIG. 2;

FIG. 5 is a rear elevational view thereof;

FIG. 6 is a top plan view thereof; and,

FIG. 7 is a bottom plan view thereof.

1 Claim, 7 Drawing Sheets



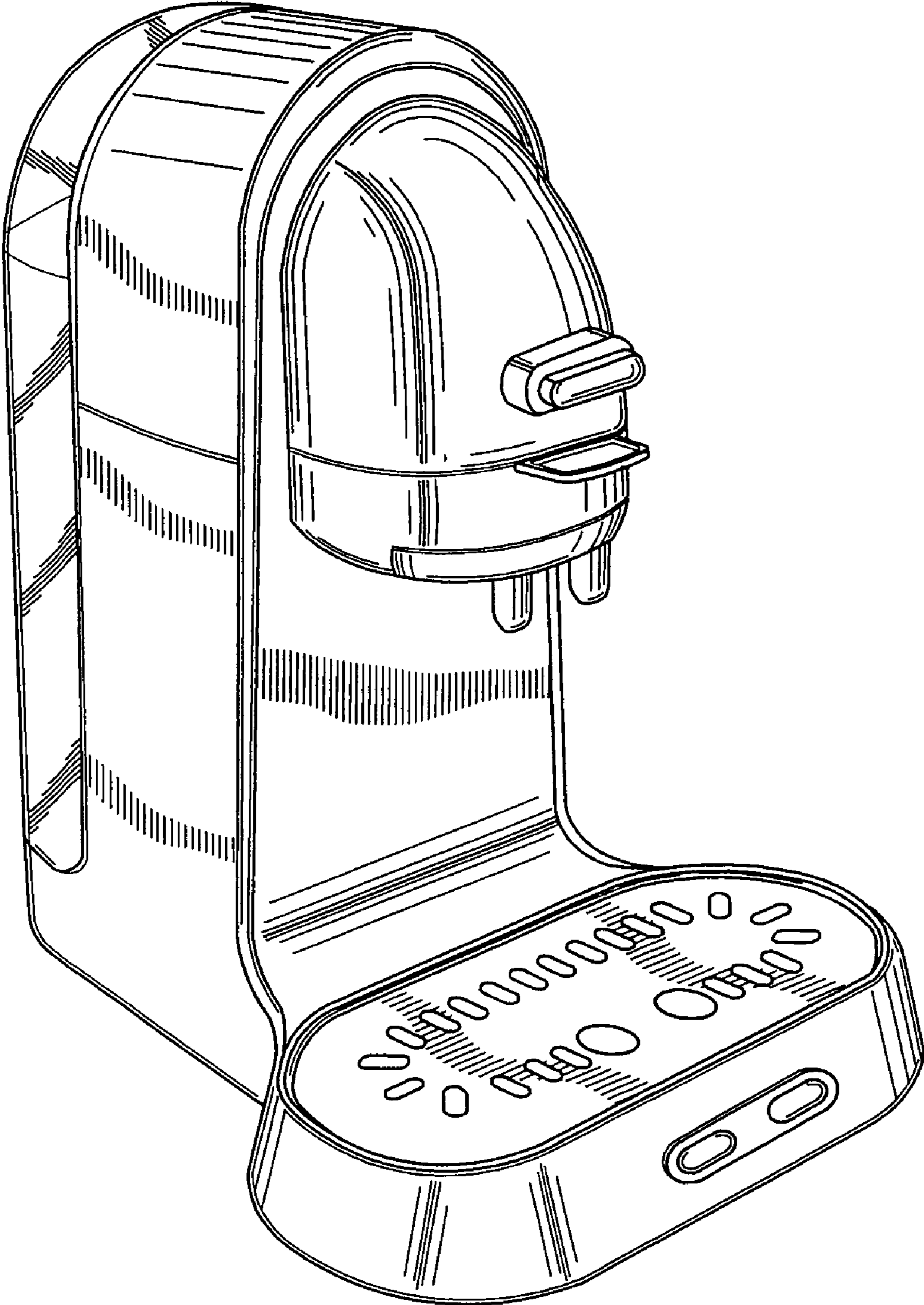


FIG. 1

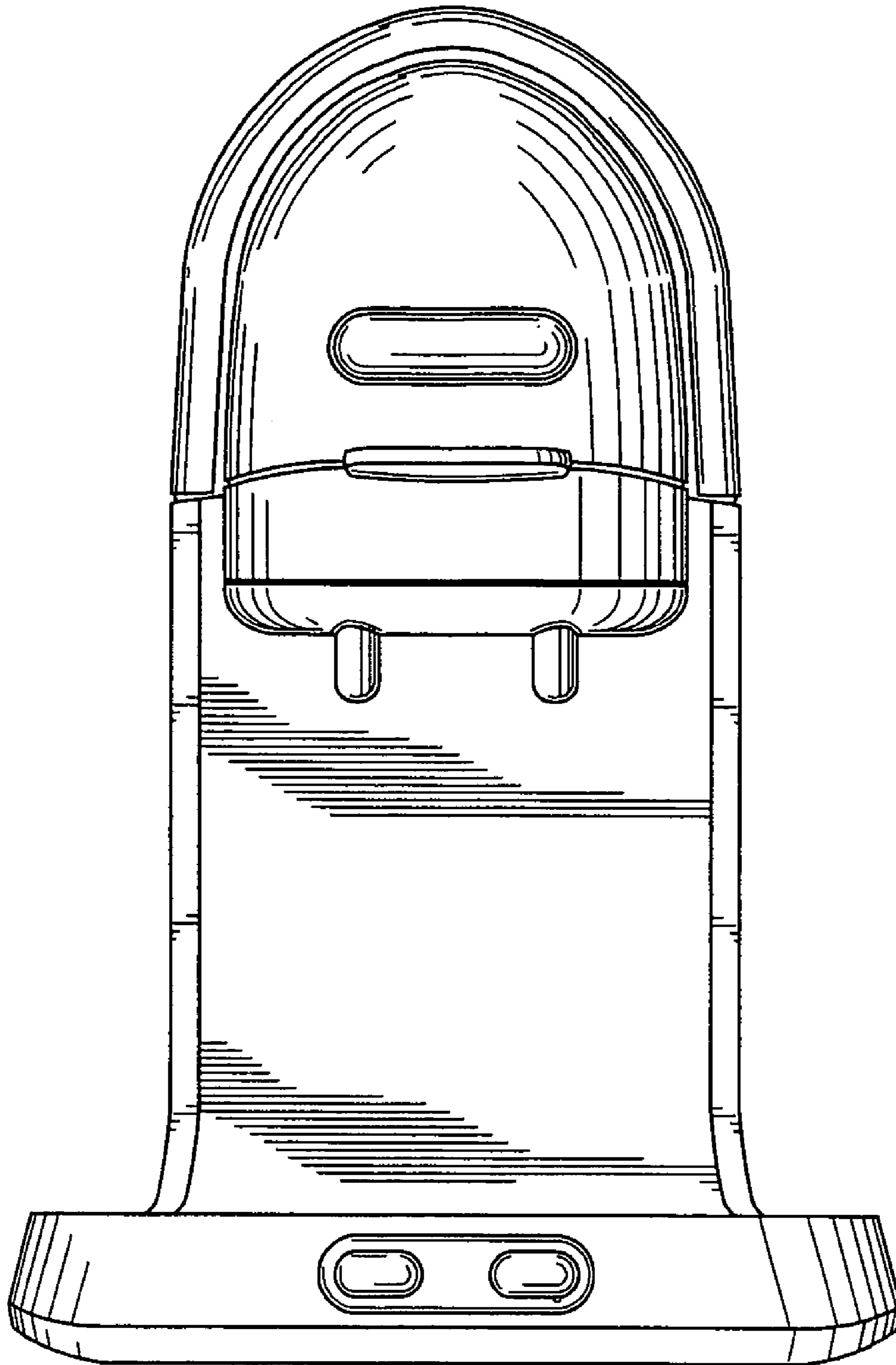


FIG. 2

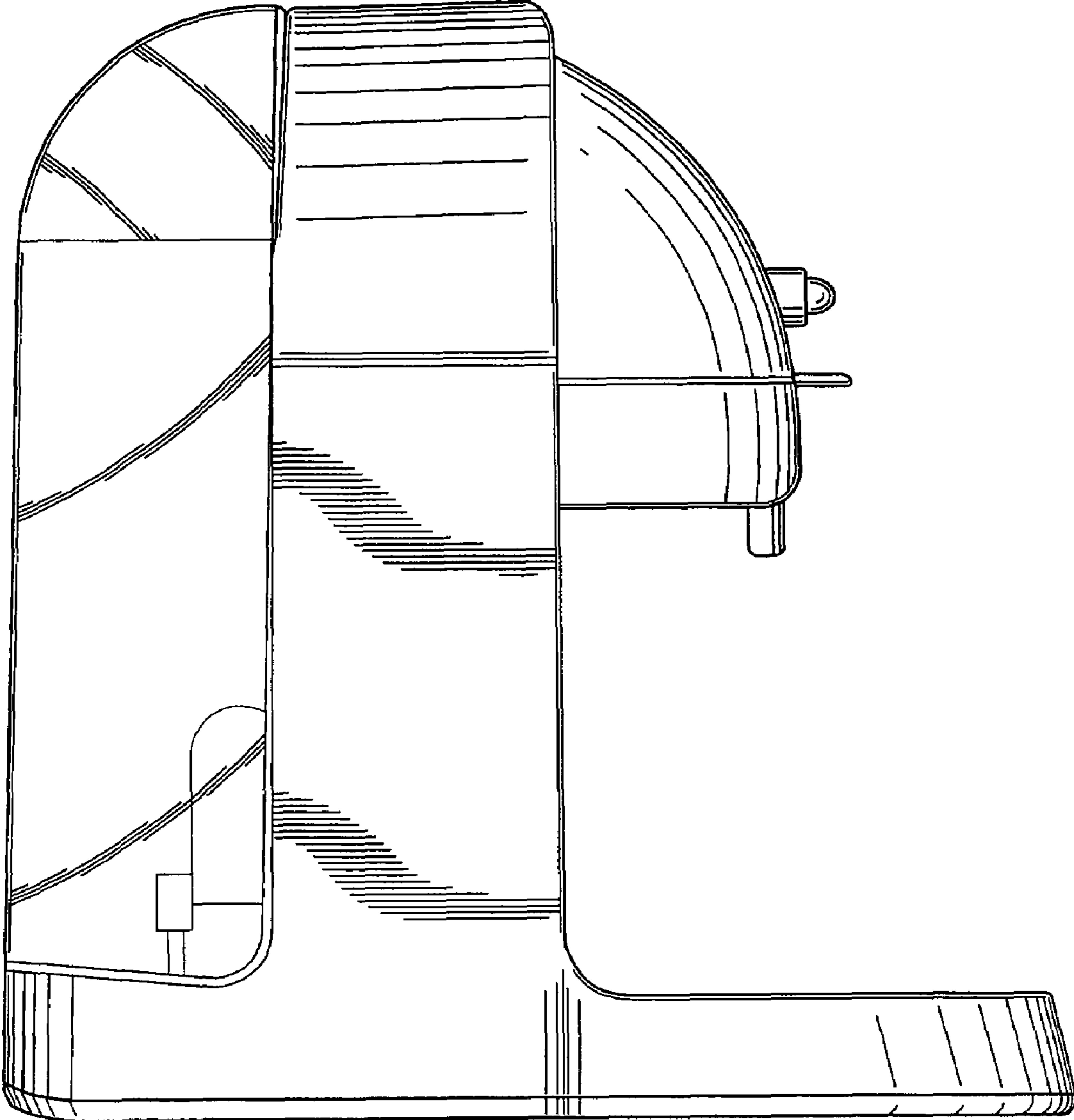


FIG. 3

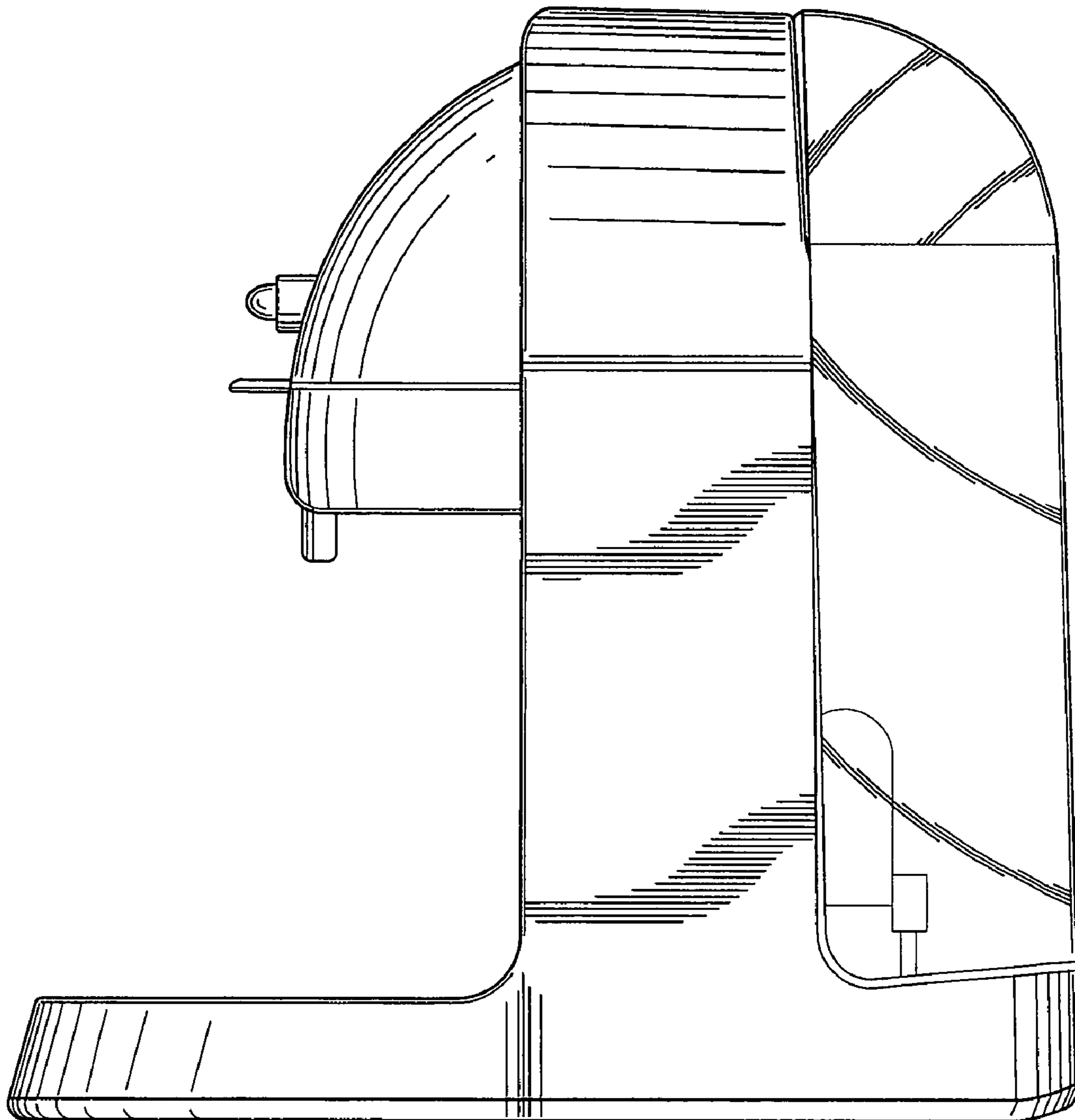


FIG. 4

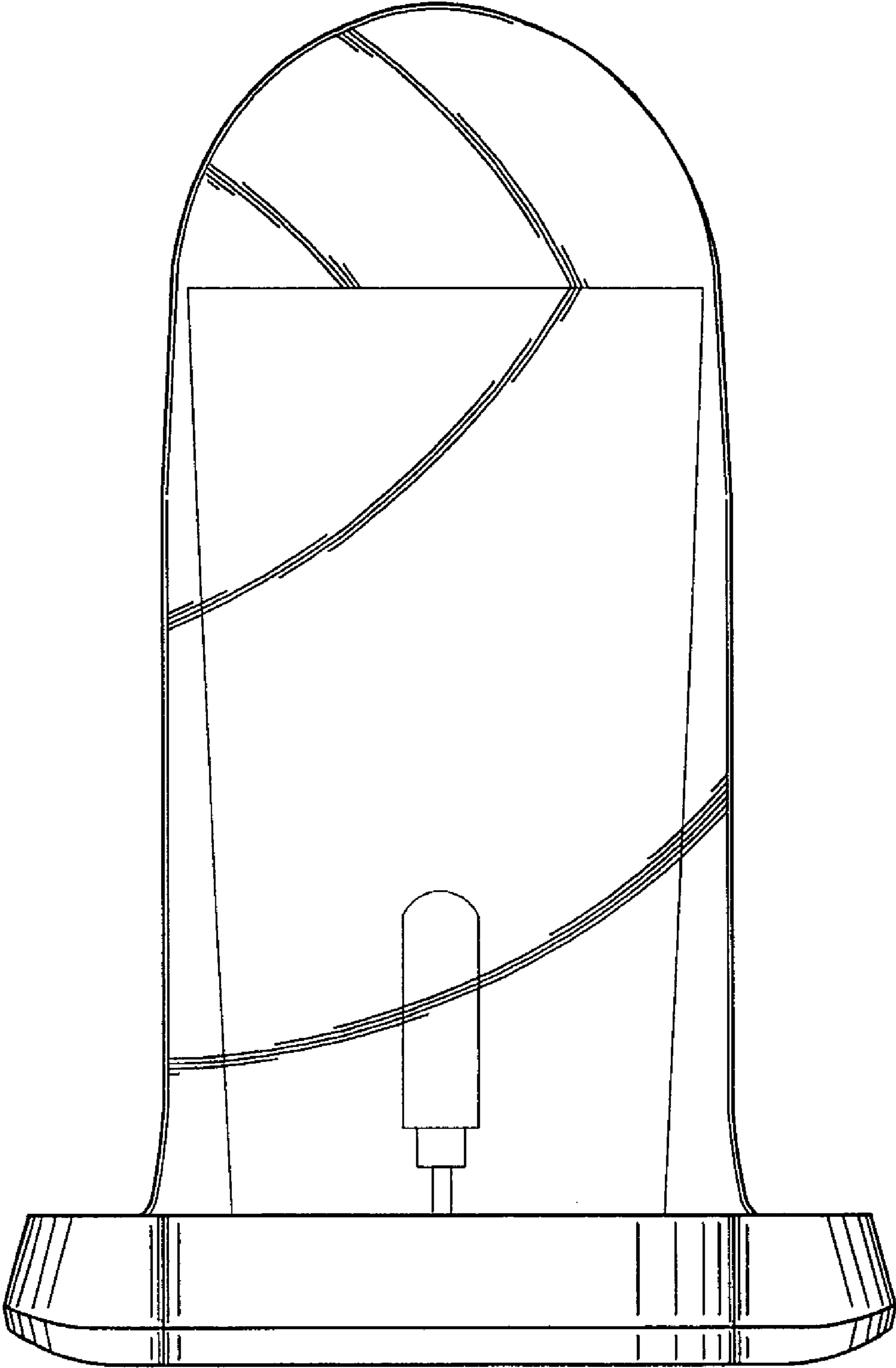


FIG. 5

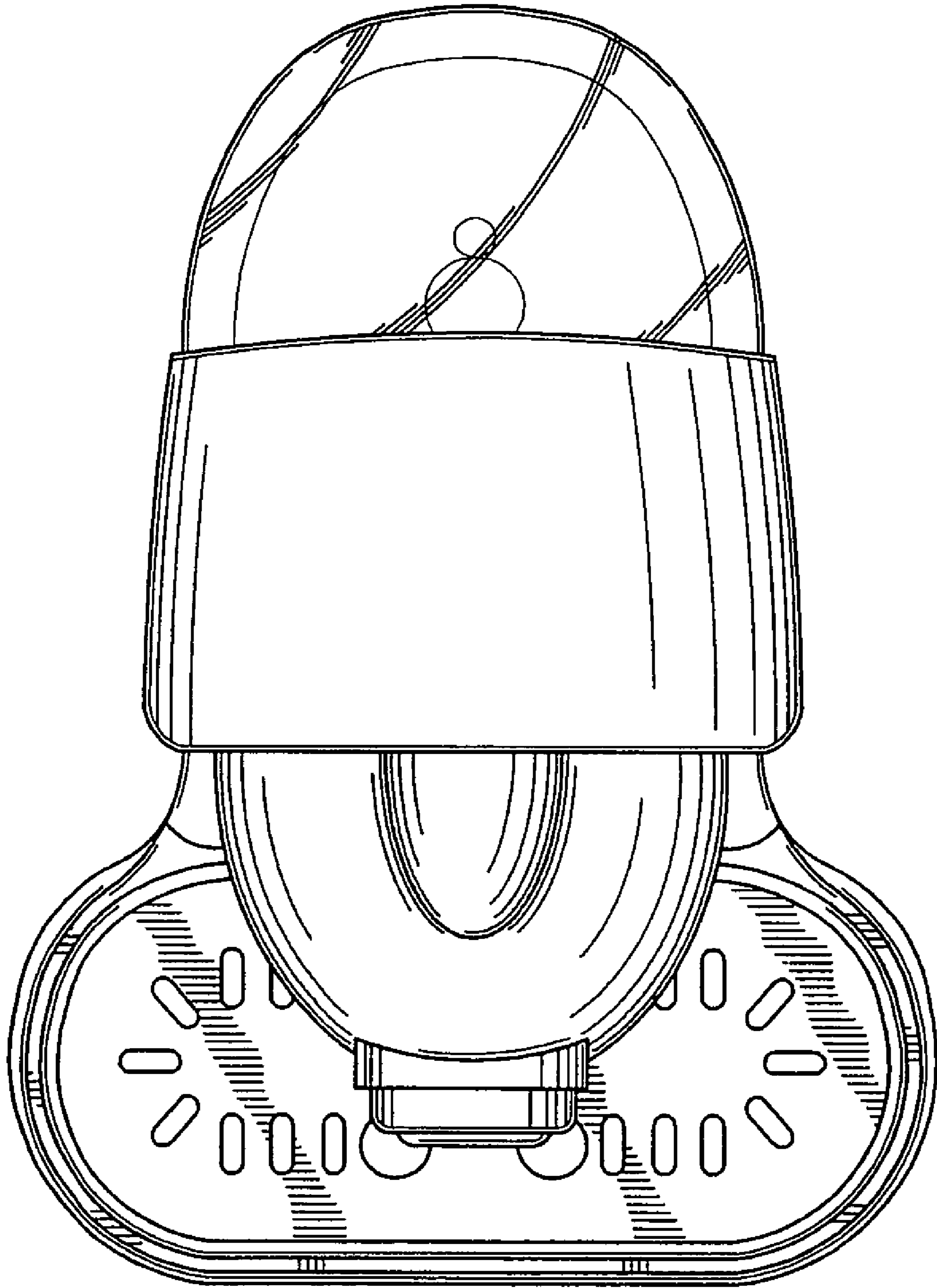


FIG. 6

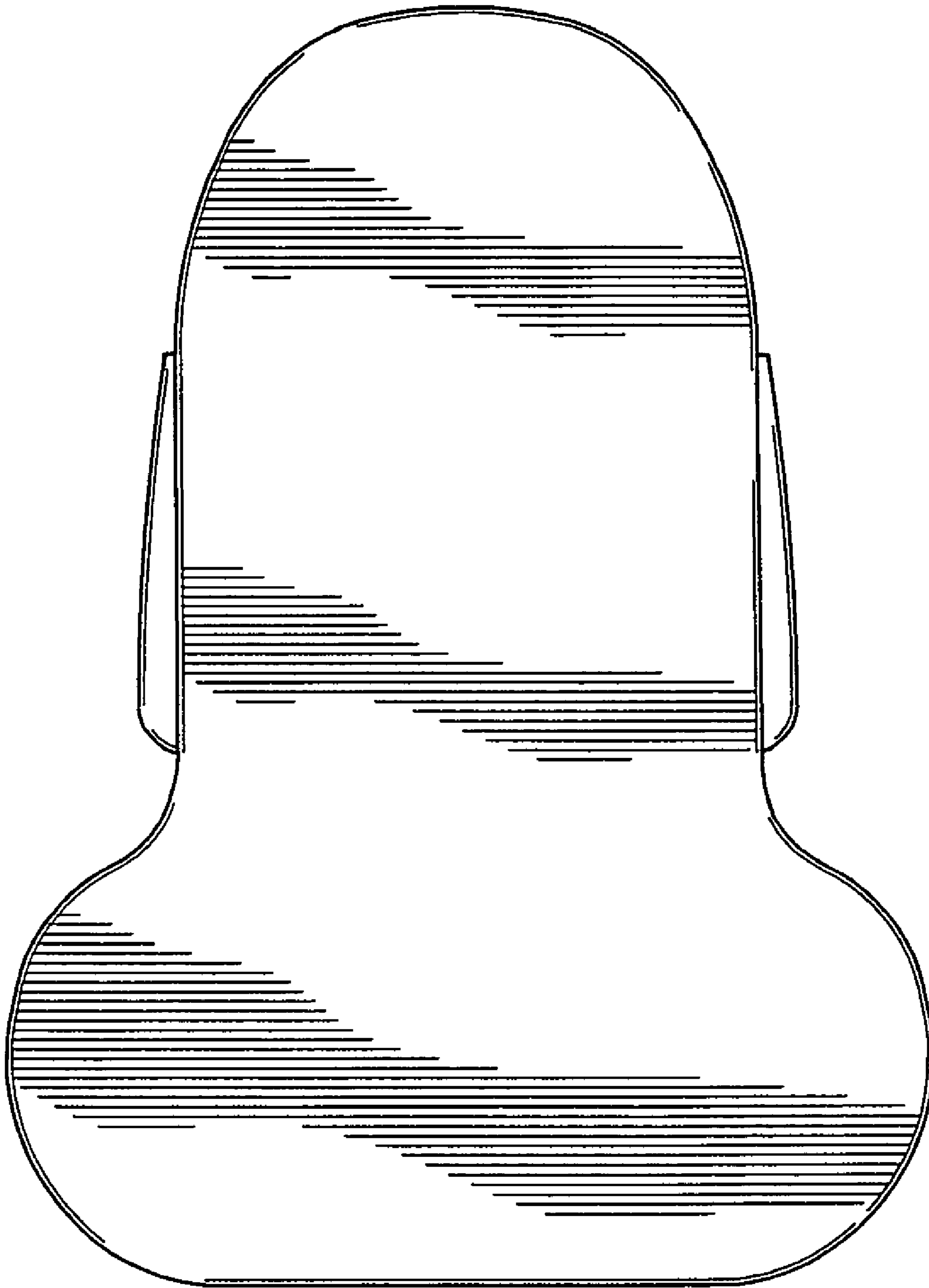


FIG. 7