



US00D557056S

(12) **United States Design Patent**
Lapointe

(10) **Patent No.:** **US D557,056 S**

(45) **Date of Patent:** **** Dec. 11, 2007**

(54) **COMBINED FILM AND DIGITAL DISK STORAGE CONTAINER**

D359,448 S * 6/1995 Aronson D9/428
D480,303 S * 10/2003 Tompkins D9/428

(75) Inventor: **Frédéric Lapointe**, Québec (CA)

* cited by examiner

(73) Assignee: **Stil Design**, Quebec (CA)

Primary Examiner—Ian Simmons
Assistant Examiner—Charles D Hanson

(**) Term: **14 Years**

(21) Appl. No.: **29/229,447**

(22) Filed: **May 9, 2005**

(57) **CLAIM**

The ornamental design for a combined film and digital disk storage container, as shown and described.

(51) **LOC (8) Cl.** **06-02**

(52) **U.S. Cl.** **D6/635; D6/632**

(58) **Field of Classification Search** D6/407,
D6/450, 626–635; D9/433, 422, 418, 428,
D9/522, 523, 544, 663; D3/303, 294, 218;
D14/479, 478, 474; 206/751, 755, 457, 312,
206/311, 310, 309, 308.2, 308.1, 307, 303,
206/232, 579, 493, 472; 720/719, 655, 728,
720/734; 211/40; 53/445, 462

See application file for complete search history.

DESCRIPTION

FIG. 1 is a perspective view of a combined film and digital disk storage container showing my new design;

FIG. 2 is a top plan view thereof;

FIG. 3 is a front elevation view thereof;

FIG. 4 is a rear elevation view thereof;

FIG. 5 is a bottom plan view thereof;

FIG. 6 is a perspective view thereof, the disk compartment opened;

FIG. 7 is a perspective view of a second embodiment of the design of FIG. 1;

FIG. 8 is a top plan view thereof; and,

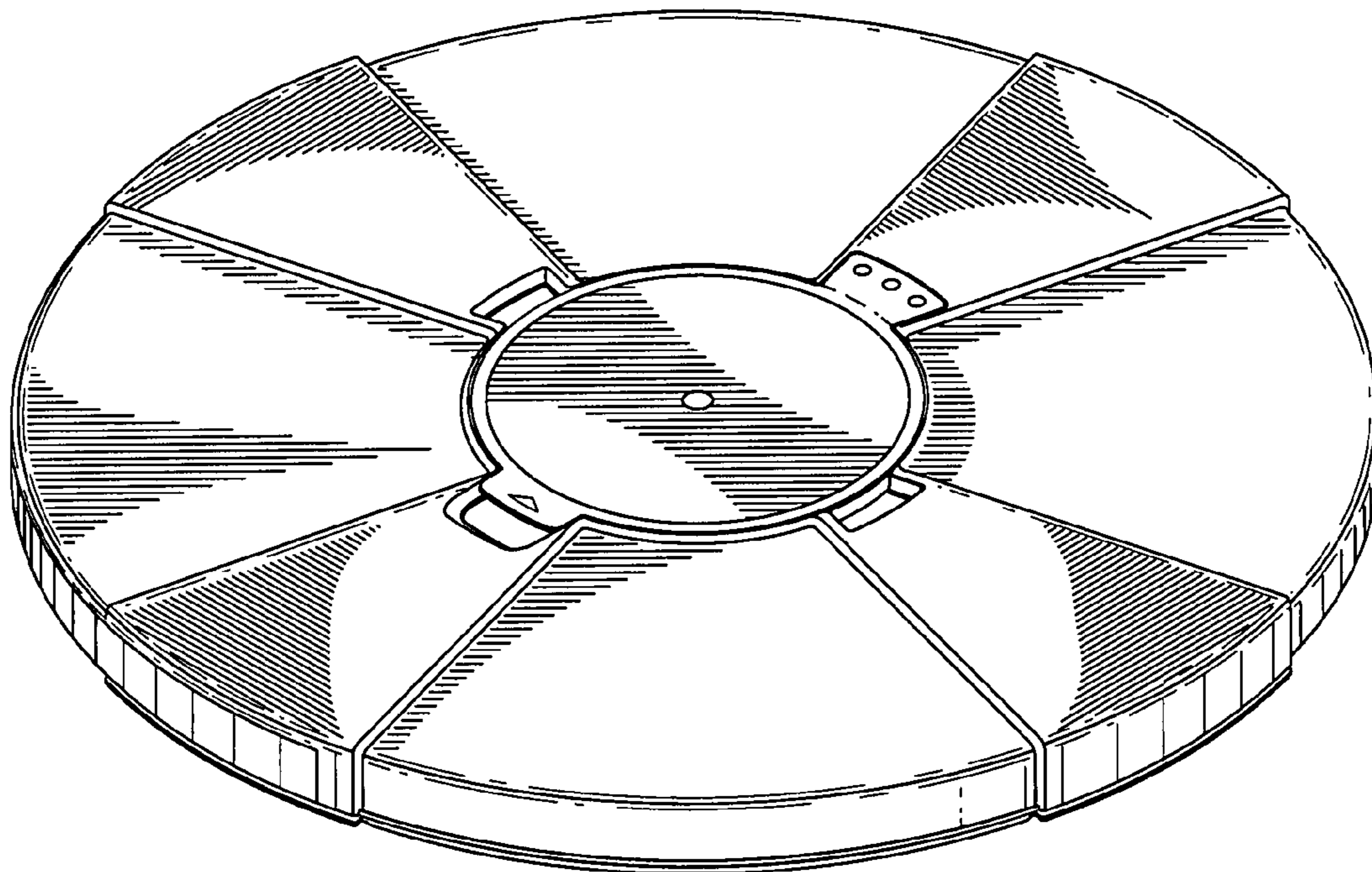
FIG. 9 is an exploded perspective view thereof, the disk compartment opened.

(56) **References Cited**

U.S. PATENT DOCUMENTS

1,773,972 A * 8/1930 Eberhart 40/306
3,182,884 A * 5/1965 Waldron 220/23.88
D244,065 S * 4/1977 Daenen D7/584
D330,854 S * 11/1992 Black, Sr. D9/428
D337,051 S * 7/1993 Harbeke D9/424
D350,837 S * 9/1994 Kirby D28/82

1 Claim, 7 Drawing Sheets



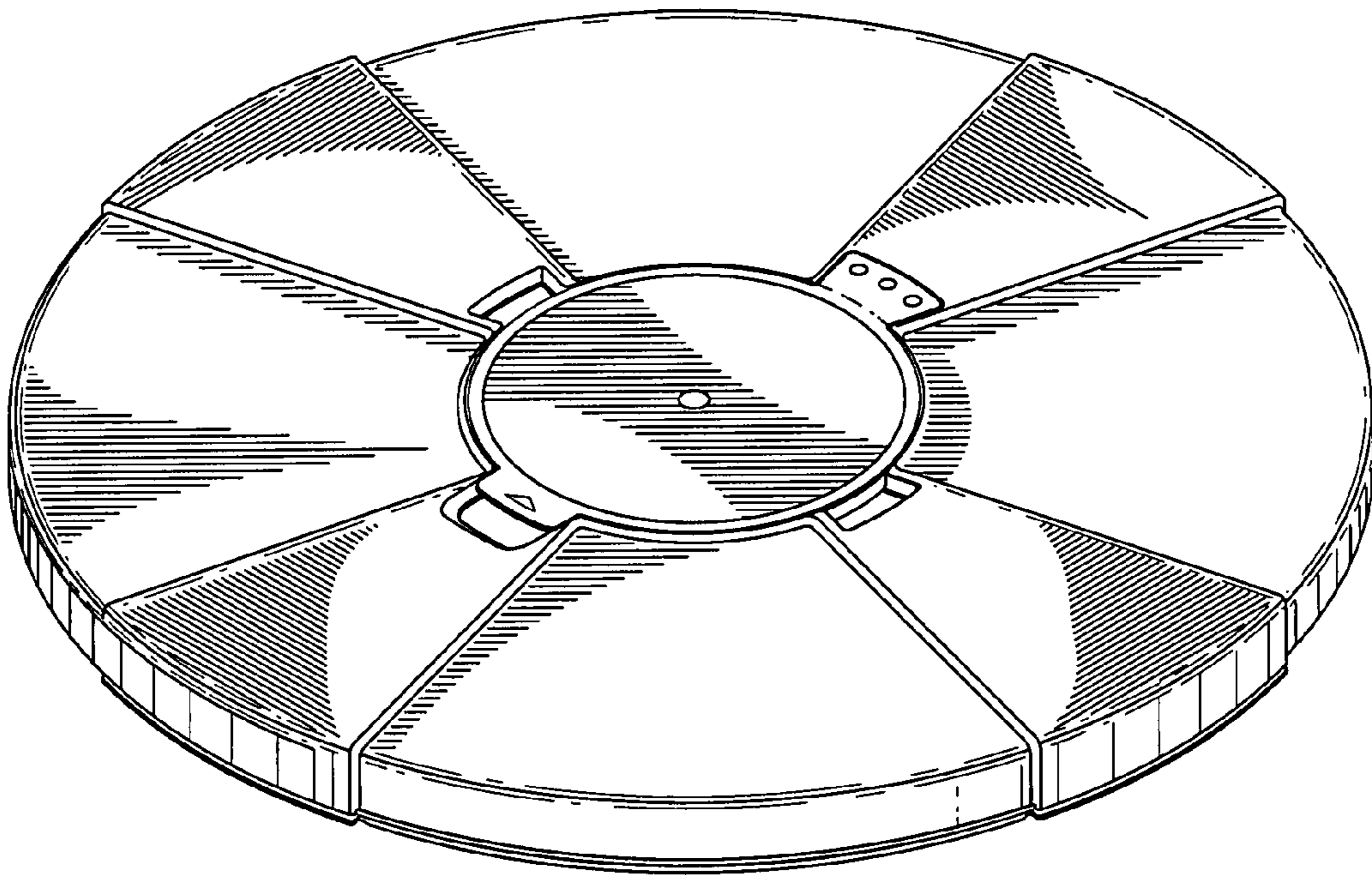


FIG. 1

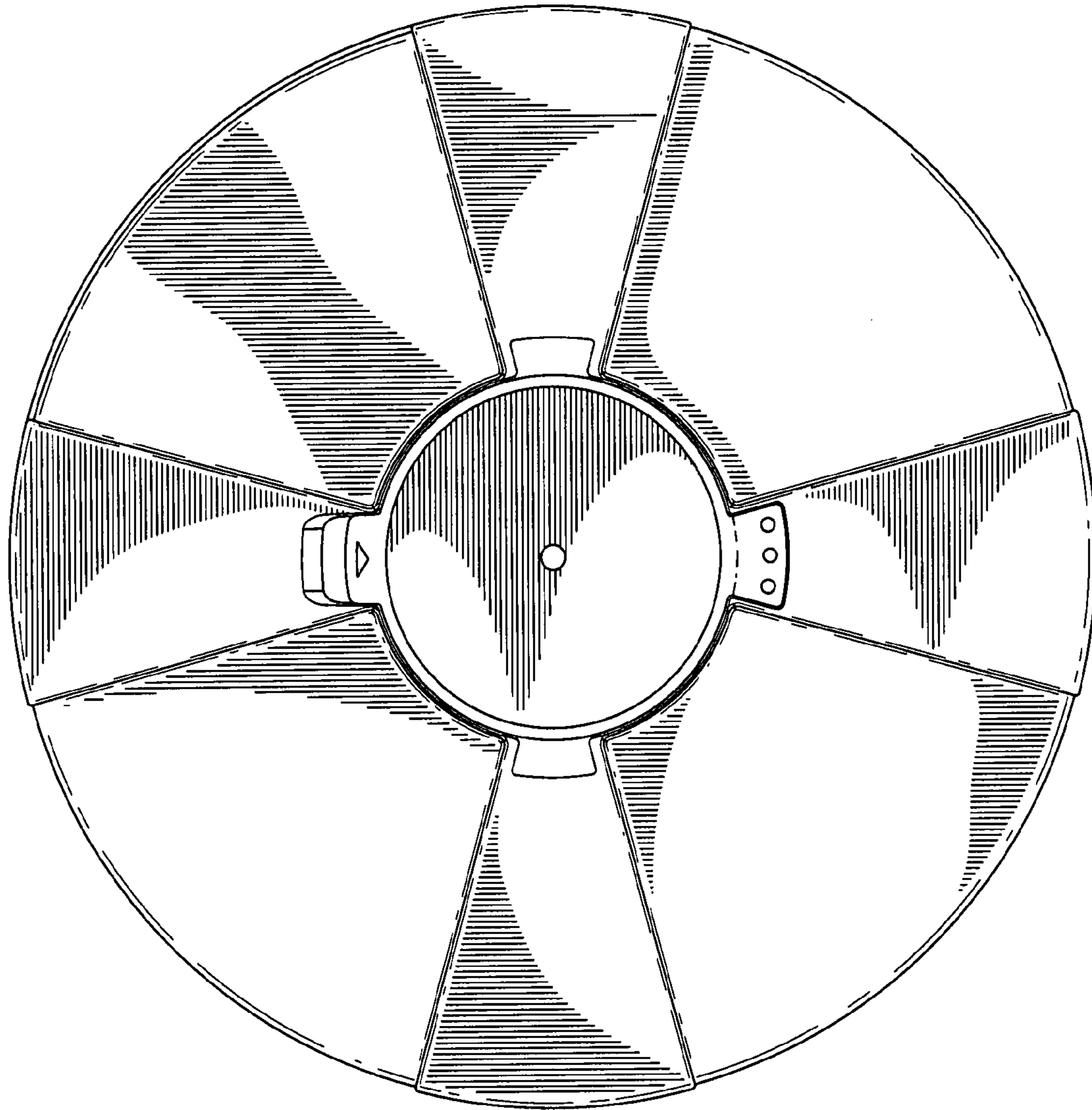


FIG. 2

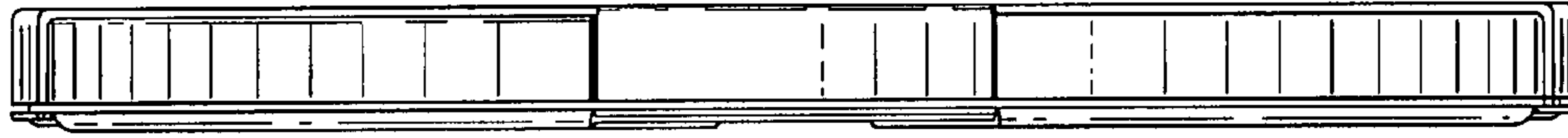


FIG. 3

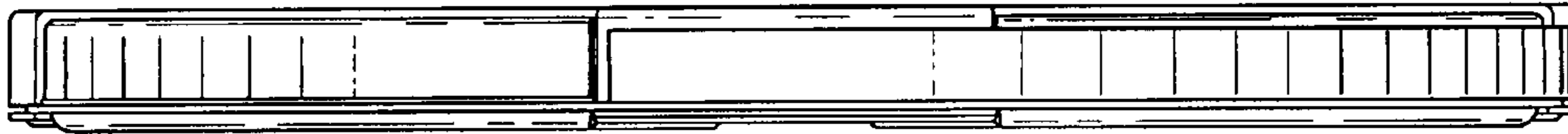


FIG. 4

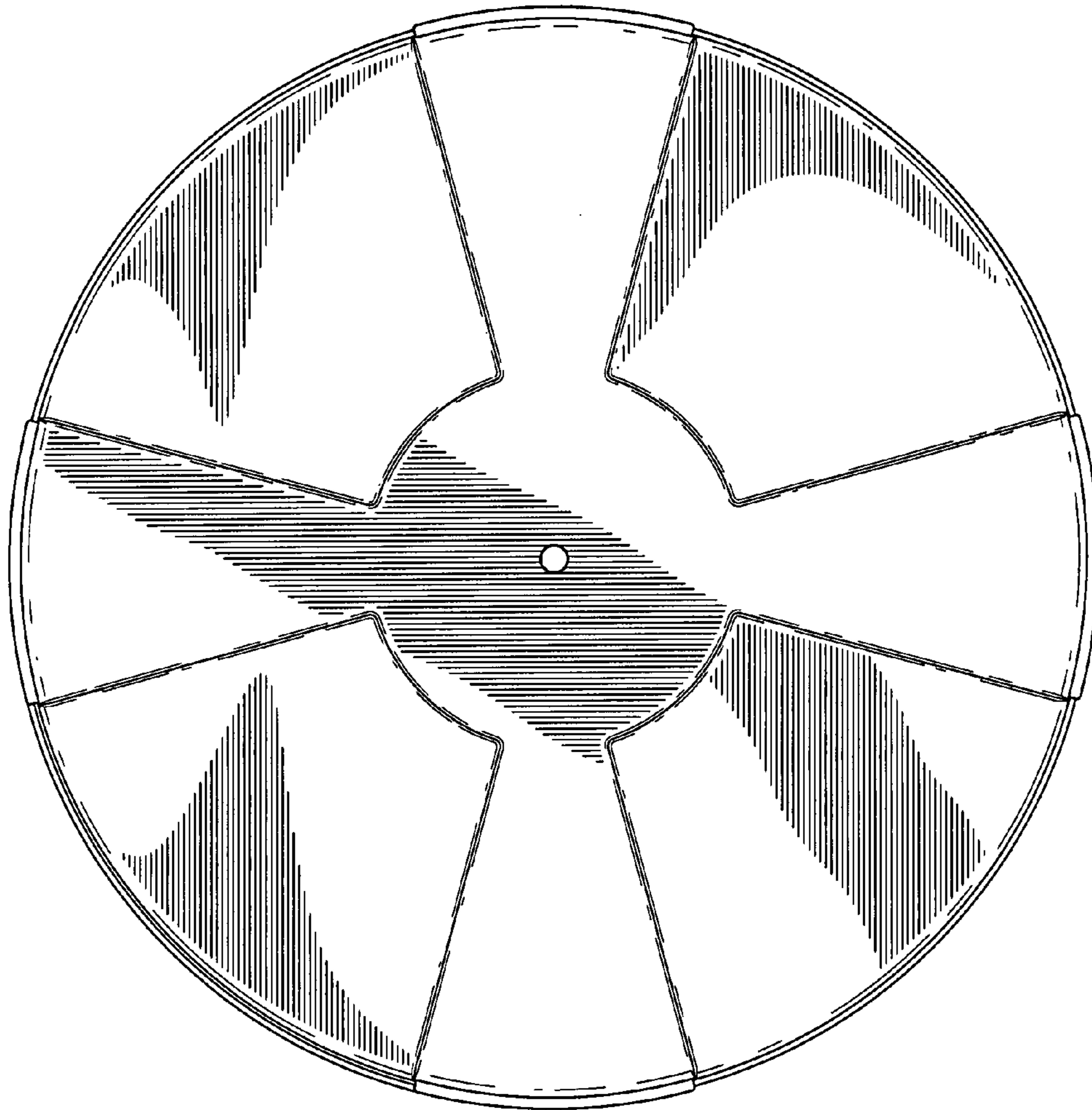


FIG. 5

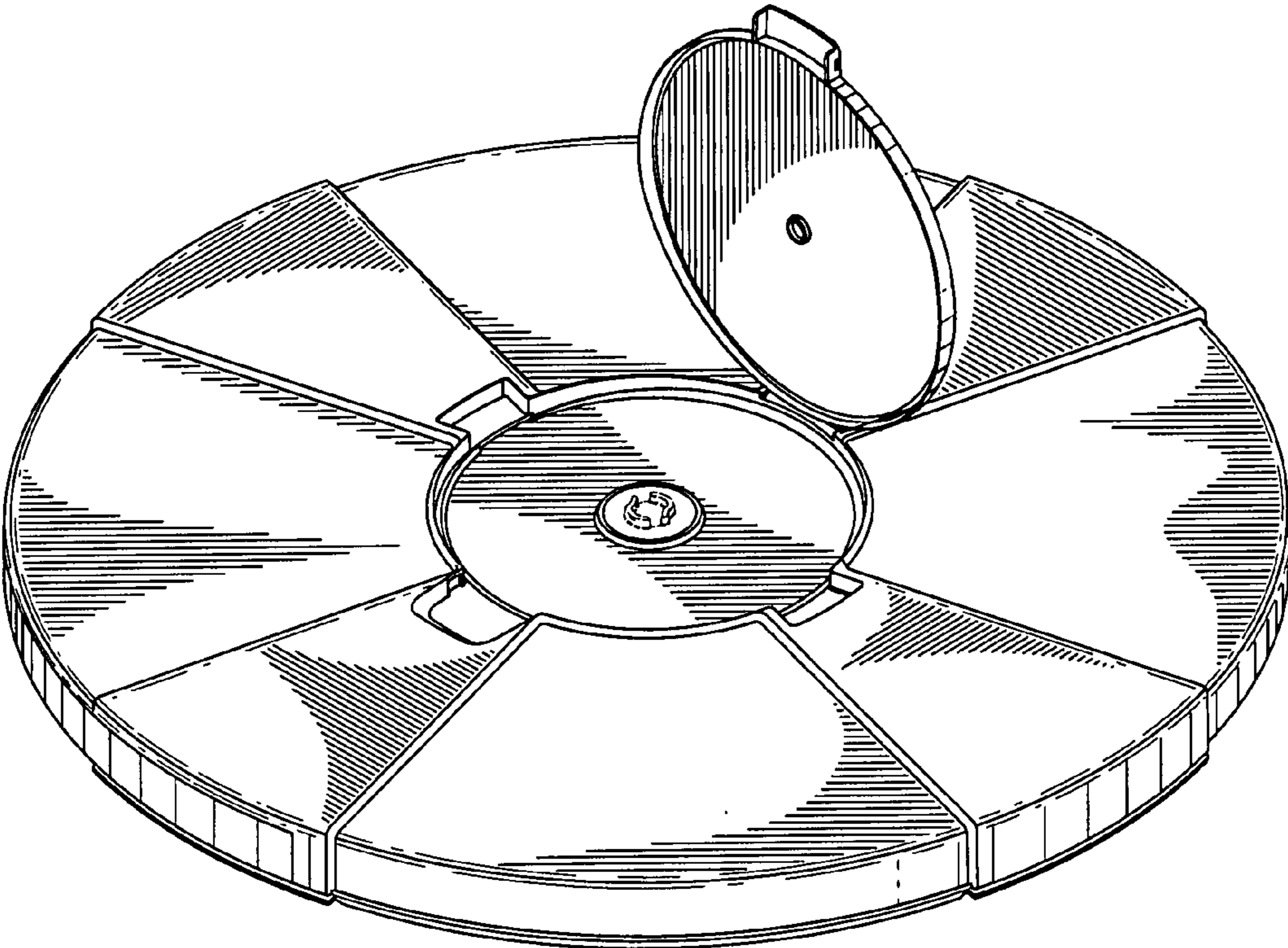


FIG. 6

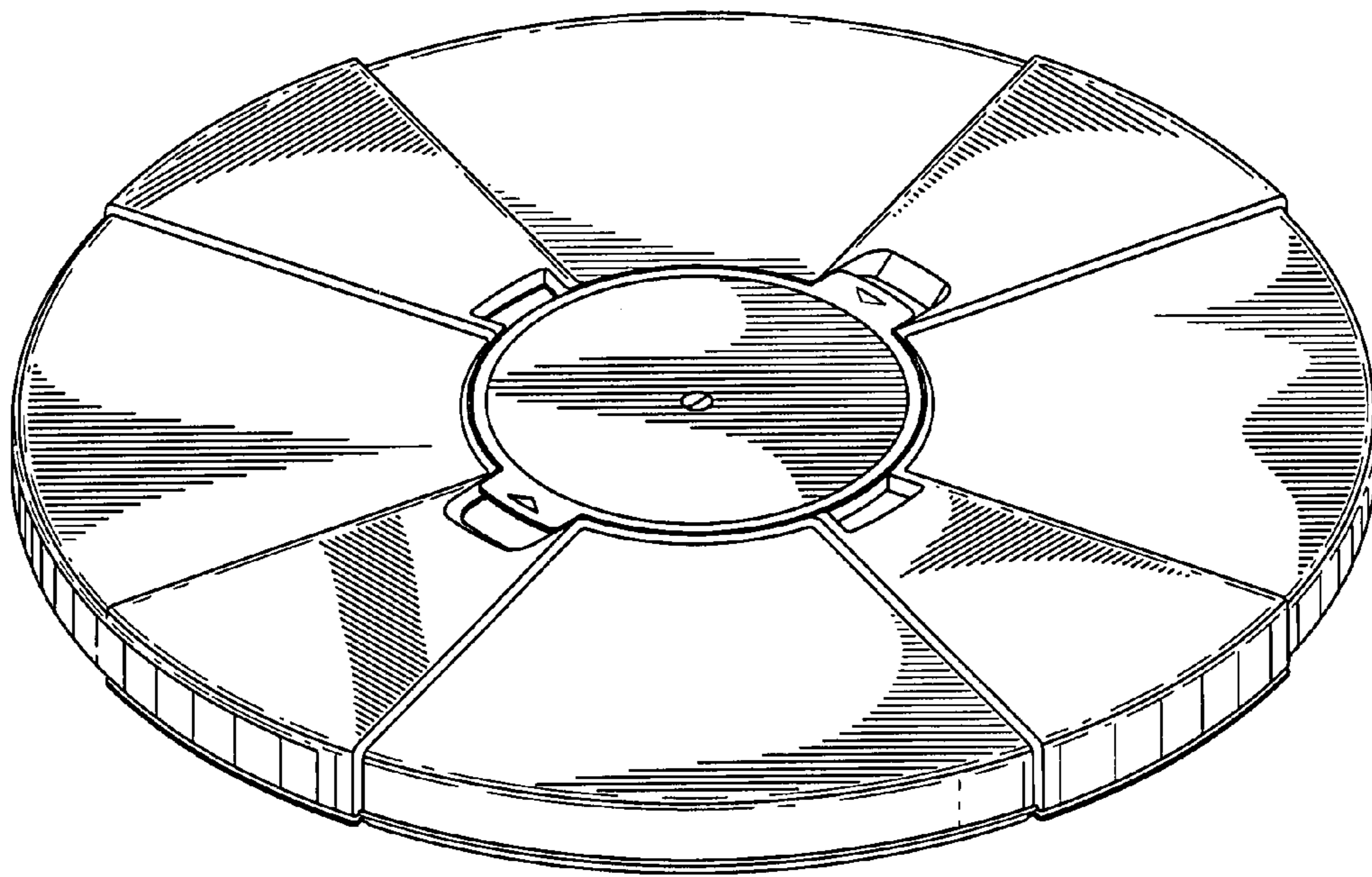


FIG. 7

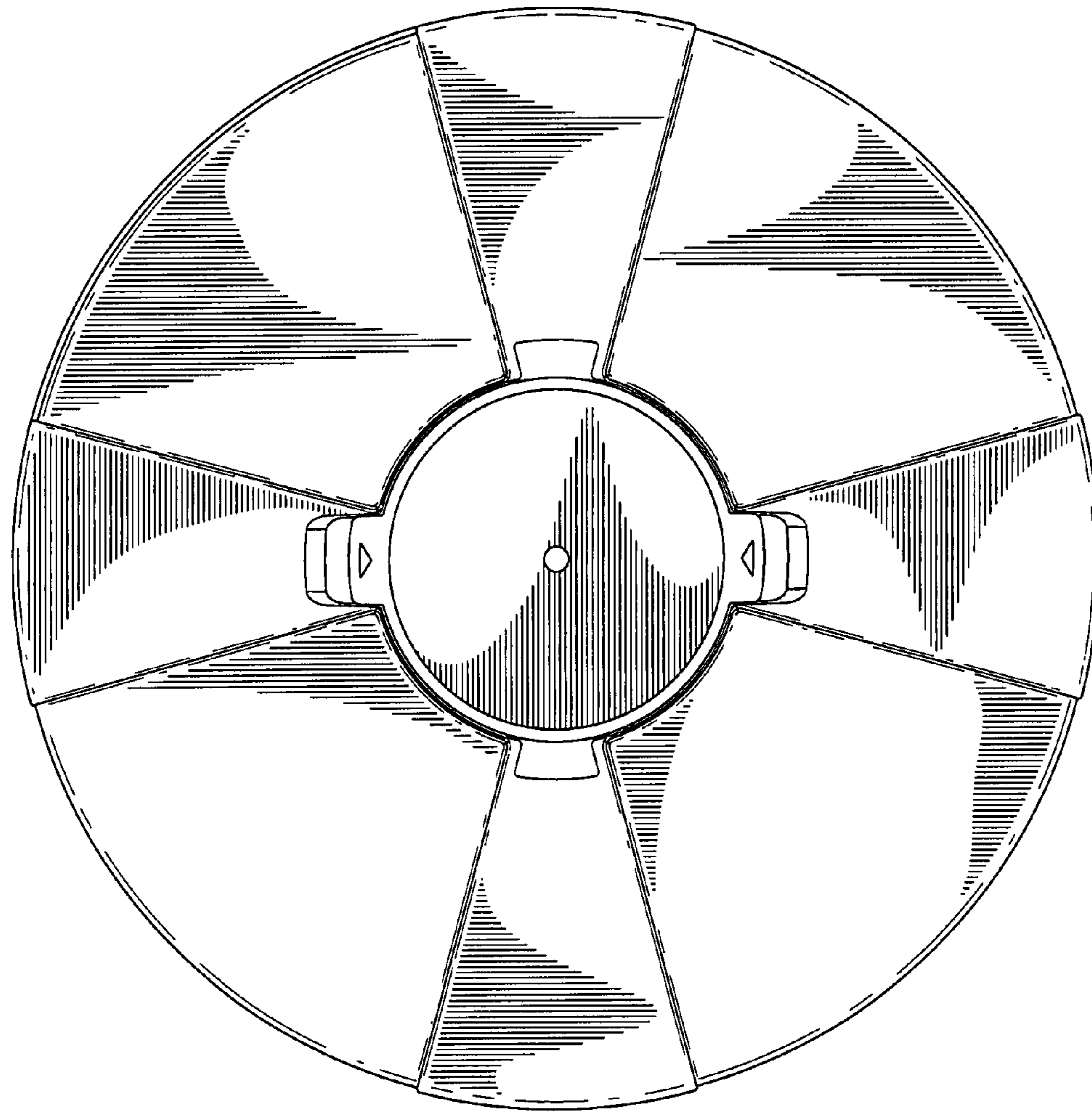


FIG. 8

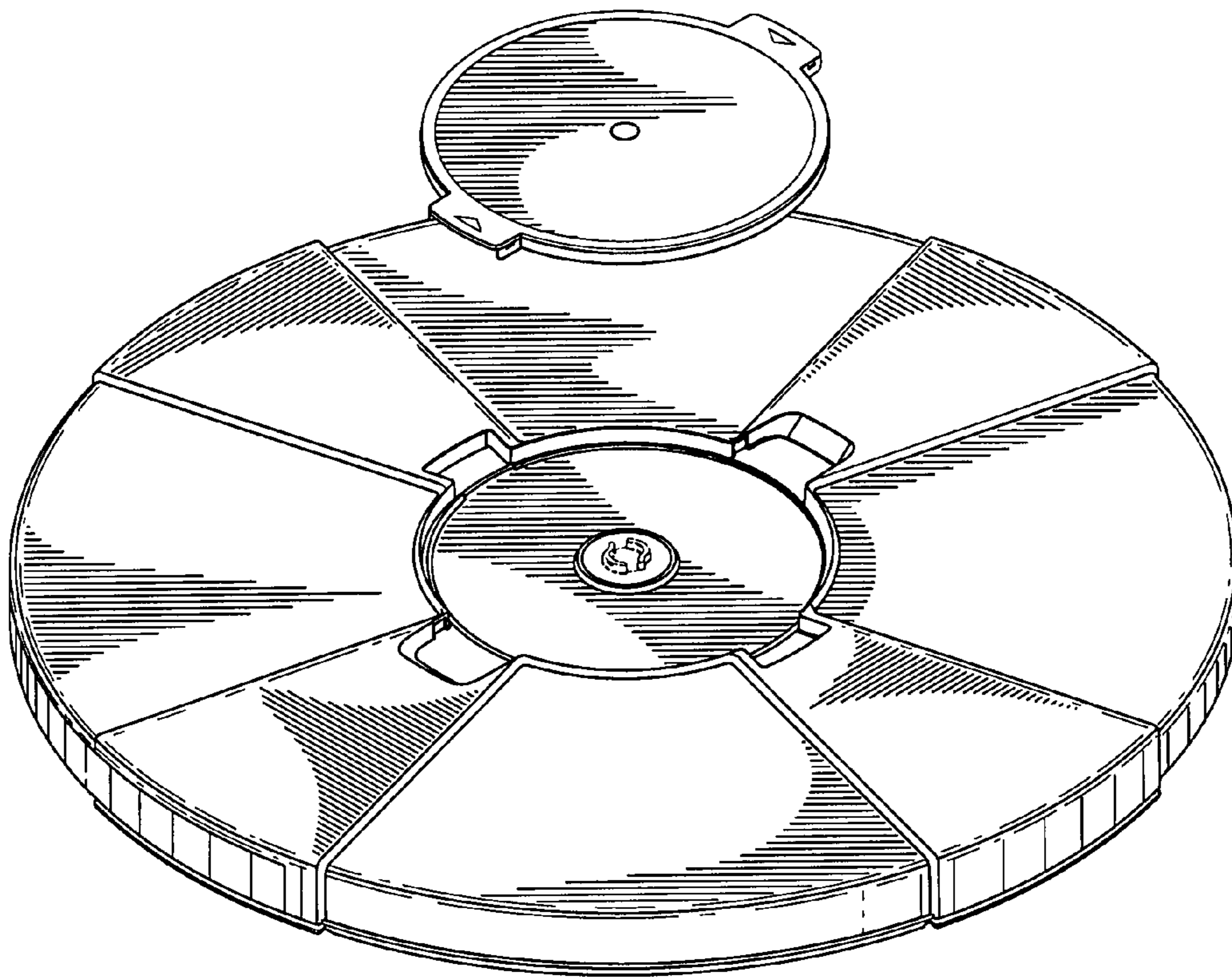


FIG. 9