



US00D557054S

(12) **United States Design Patent**
Grubstein et al.

(10) **Patent No.:** **US D557,054 S**

(45) **Date of Patent:** **** Dec. 11, 2007**

(54) **OPTICAL DISC LABELING DEVICE**

(75) Inventors: **Katherine Grubstein**, San Diego, CA (US); **Wesley R. Schalk**, Camas, WA (US); **James J. Genis**, San Diego, CA (US)

(73) Assignee: **Hewlett-Packard Development Company, L.P.**, Houston, TX (US)

(**) Term: **14 Years**

(21) Appl. No.: **29/241,507**

(22) Filed: **Oct. 28, 2005**

(51) **LOC (8) Cl.** **06-02**

(52) **U.S. Cl.** **D6/634**

(58) **Field of Classification Search** D6/407,
D6/626-635; 206/209, 310-313, 751; 211/40,
211/41.1, 41.12, 126.1; D14/435, 436, 299,
D14/478, 479, 483, 474, 477, 363, 364-366,
D14/368; D9/420; D3/271.12, 219, 328,
D3/273, 294, 295, 299, 300, 301, 303; D19/75
See application file for complete search history.

(56) **References Cited**

U.S. PATENT DOCUMENTS

D420,240 S * 2/2000 Sorenson et al. D6/632
D422,428 S * 4/2000 Pijanowski et al. D6/407
D450,973 S * 11/2001 Bieda D6/632
D452,104 S * 12/2001 Tang D6/632
D452,105 S * 12/2001 Chan D6/635

6,412,631 B2 * 7/2002 Belden, Jr. 206/308.1
D505,565 S * 5/2005 Chen D6/407
7,044,296 B2 * 5/2006 Solling 206/308.2
D522,791 S * 6/2006 Ho D6/634

* cited by examiner

Primary Examiner—Ian Simmons
Assistant Examiner—Charles D Hanson

(57) **CLAIM**

What is claimed is the ornamental design for an optical disc labeling device, as shown and described herein.

DESCRIPTION

FIG. 1 is a front plan view of an optical disc labeling device, in an opened condition showing our new design;

FIG. 2 is a back plan view thereof;

FIG. 3 is a perspective view thereof;

FIG. 4 is a bottom view thereof;

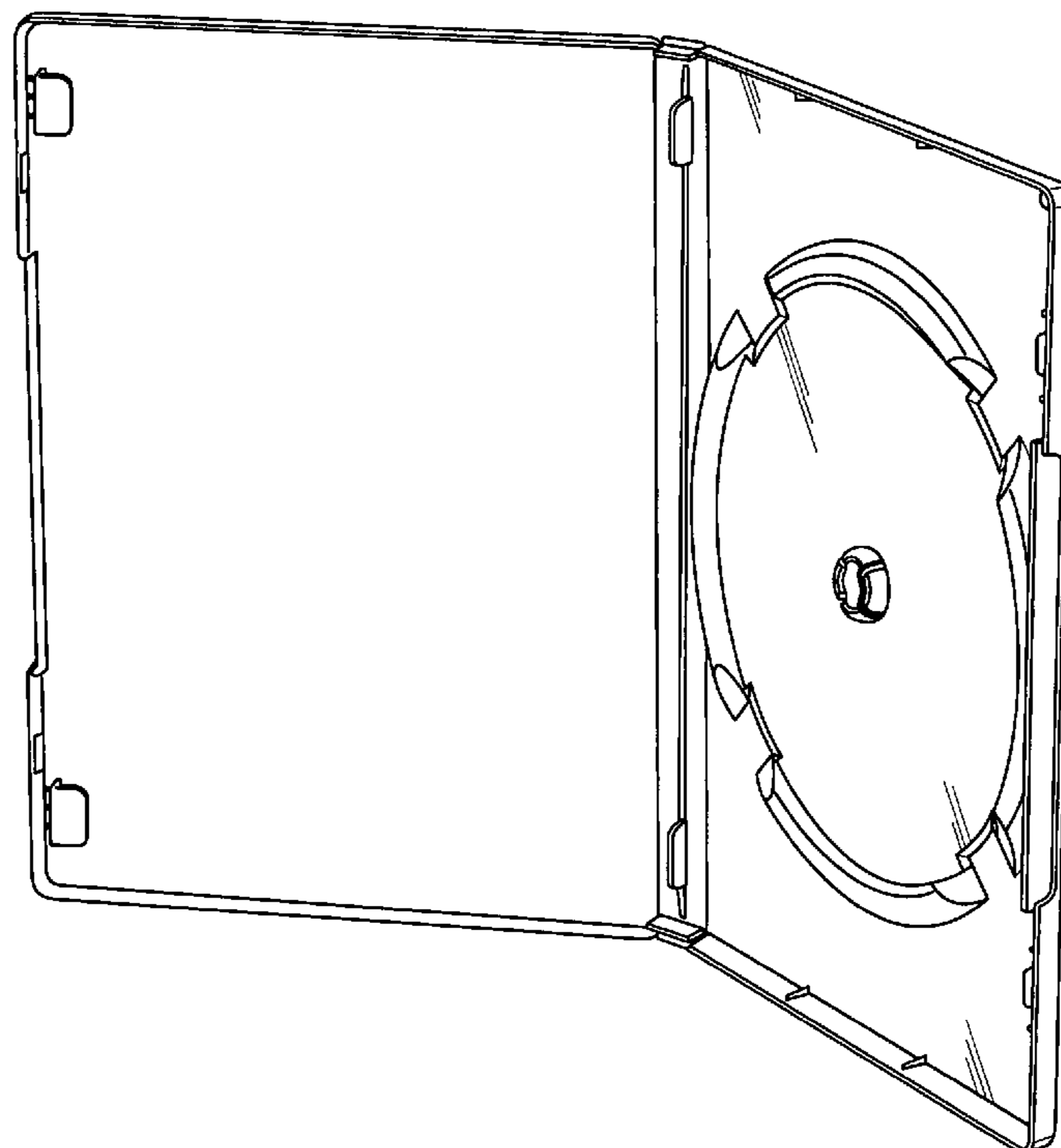
FIG. 5 is a top view thereof;

FIG. 6 is a right side view thereof; and,

FIG. 7 is a left side view thereof.

It is to be noted that certain design features of FIGS. 1-7 are shown in phantom or broken lines. Phantom or broken lines are provided to include disclosure about certain optional and illustrative design features; however, phantom or broken lines form no part of this claimed invention herein.

1 Claim, 4 Drawing Sheets



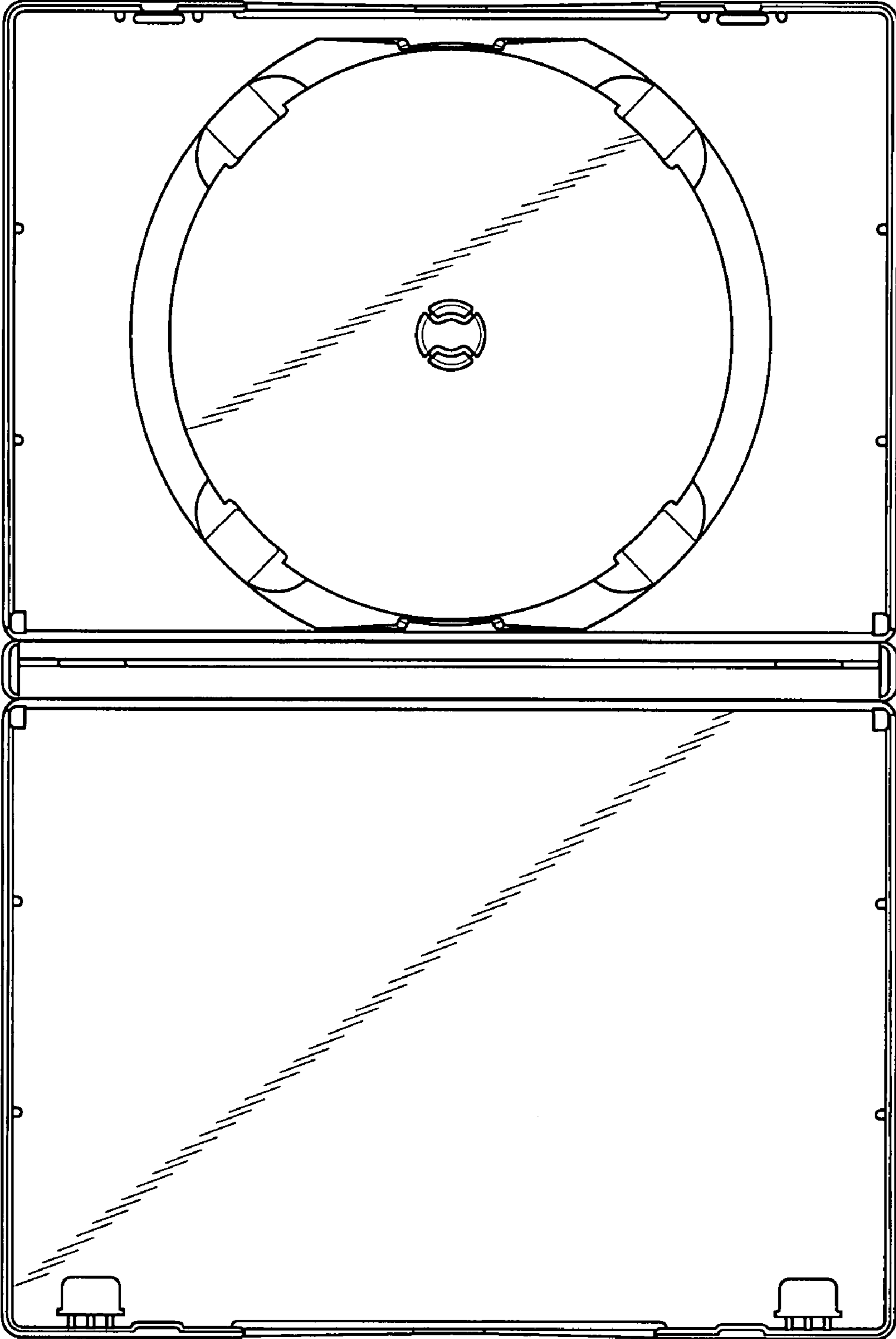


Fig. 1

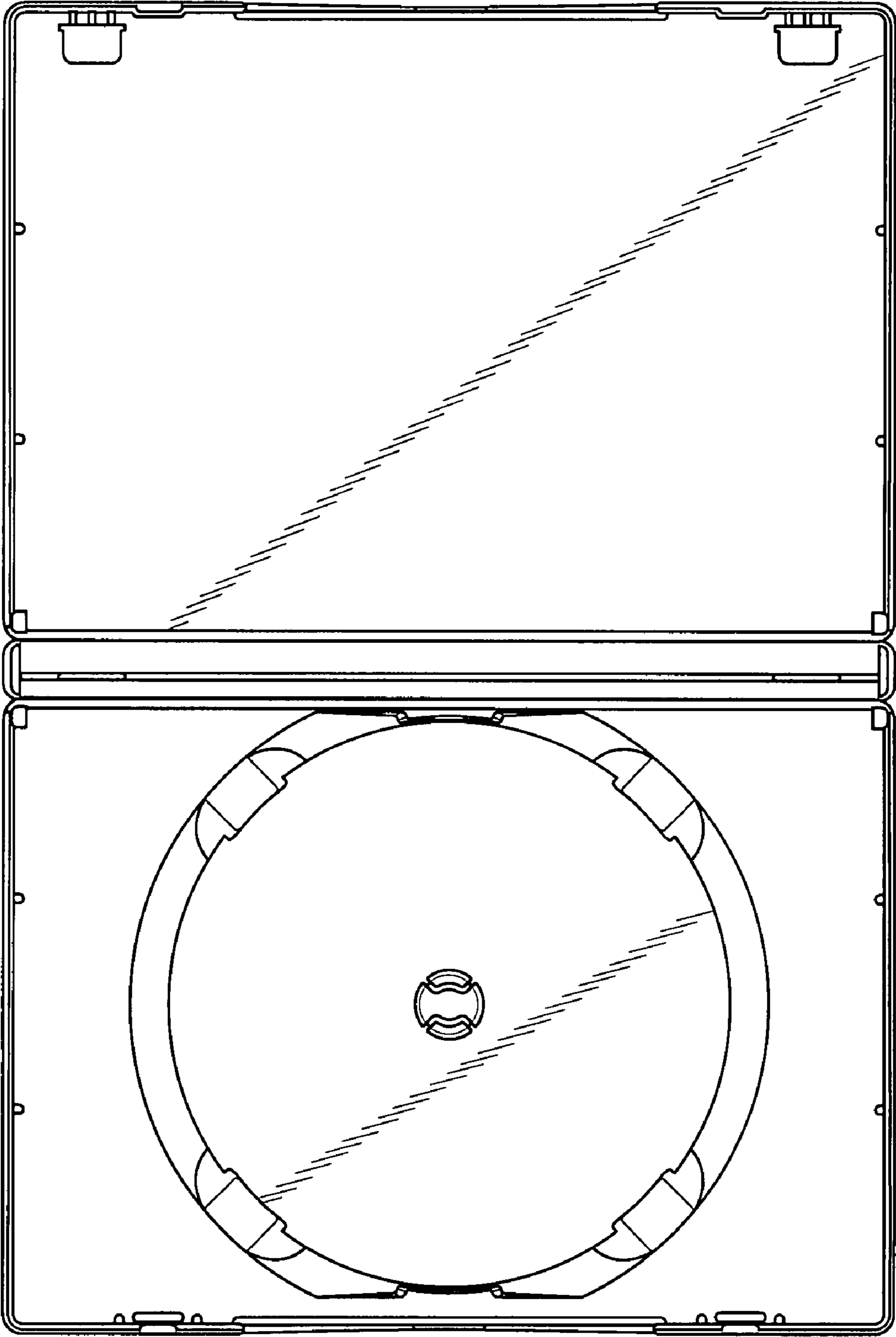


Fig. 2

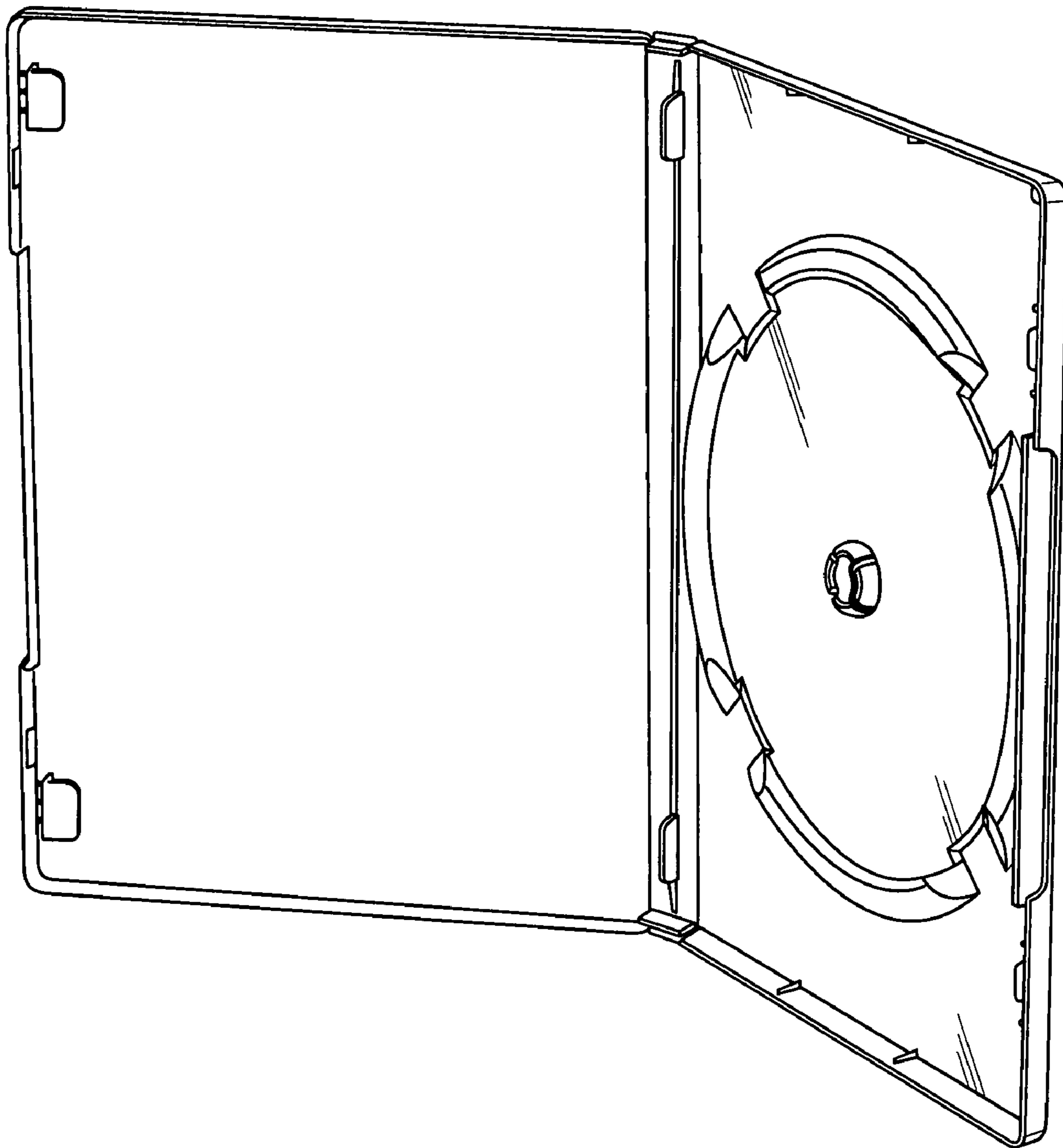


Fig. 3



Fig. 4



Fig. 5

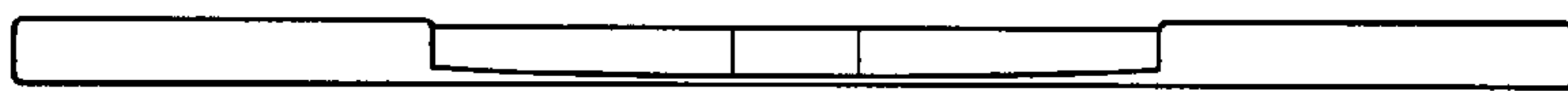


Fig. 6

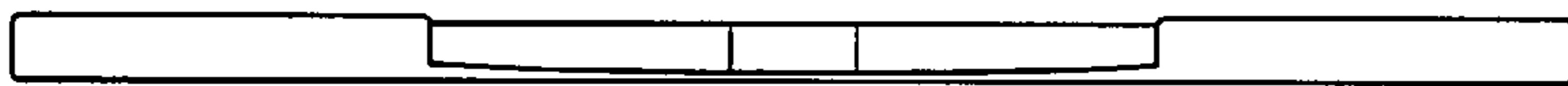


Fig. 7