



US00D557053S

(12) **United States Design Patent** (10) **Patent No.:** **US D557,053 S**  
**Osborn et al.** (45) **Date of Patent:** **\*\* Dec. 11, 2007**

(54) **CASE FOR CD OR DVD**

(76) Inventors: **Warren R. Osborn**, 4290 Vintage Cir., Provo, UT (US) 84604; **Bryan P. Dunford**, 598 N. 100 West #13, Provo, UT (US) 84601

(\*\*) Term: **14 Years**

(21) Appl. No.: **29/225,486**

(22) Filed: **Mar. 16, 2005**

**Related U.S. Application Data**

(63) Continuation-in-part of application No. 11/015,326, filed on Dec. 15, 2004, now Pat. No. 7,163,152.

(51) **LOC (8) Cl.** ..... **06-02**

(52) **U.S. Cl.** ..... **D6/632**

(58) **Field of Classification Search** ..... D6/407, D6/450, 626-635; D9/433, 422, 418, 428, D9/522, 523, 544, 663; D3/303, 294, 218; D14/479, 478, 474; 206/751, 755, 457, 312, 206/311, 310, 309, 308.2, 308.1, 307, 303, 206/232, 579, 493, 472; 720/719, 655, 728, 720/734; 211/40; 53/445, 462

See application file for complete search history.

(56) **References Cited**

**U.S. PATENT DOCUMENTS**

1,396,684	A *	11/1921	Hansen	99/422
2,704,974	A *	3/1955	Steman	99/422
D265,977	S *	8/1982	Strongwater	D9/424
D274,889	S *	7/1984	Sullivan	D9/426
D305,988	S *	2/1990	Swope, Jr.	D9/432
D418,875	S *	1/2000	Paik	D19/86
D465,729	S *	11/2002	Nishimura	D9/422
D484,409	S *	12/2003	Haggerty et al.	D9/432
D493,640	S *	8/2004	Nemec et al.	D6/494
D507,968	S *	8/2005	Dixon et al.	D9/422
D520,799	S *	5/2006	Breuner	D6/634
7,070,048	B2 *	7/2006	Gelardi et al.	206/308.1
D535,184	S *	1/2007	Tanner	D9/422

\* cited by examiner

*Primary Examiner*—Ian Simmons  
*Assistant Examiner*—Charles D Hanson  
(74) *Attorney, Agent, or Firm*—Angus C. Fox, III

(57) **CLAIM**

The ornamental design for a case for CD or DVD, as shown and described.

**DESCRIPTION**

FIG. 1 is an assembled bottom isometric view of a case for CD or DVD showing my new design;

FIG. 2 is a bottom isometric view of the lid thereof;

FIG. 3 is a top isometric view thereof;

FIG. 4 is a bottom isometric view of the receptacle of FIG. 1;

FIG. 5 is a top isometric view thereof;

FIG. 6 is a bottom isometric view of a modified embodiment of FIG. 1;

FIG. 7 is a bottom isometric view of the lid thereof;

FIG. 8 is a top isometric view thereof;

FIG. 9 is a bottom isometric view of the receptacle of FIG. 6;

FIG. 10 is a top isometric view thereof;

FIG. 11 is a cross section view taken through line 11—11 of both embodiments;

FIG. 12 is a cross section view taken through line 12—12 thereof;

FIG. 13 is a cross section view taken through line 13—13 thereof;

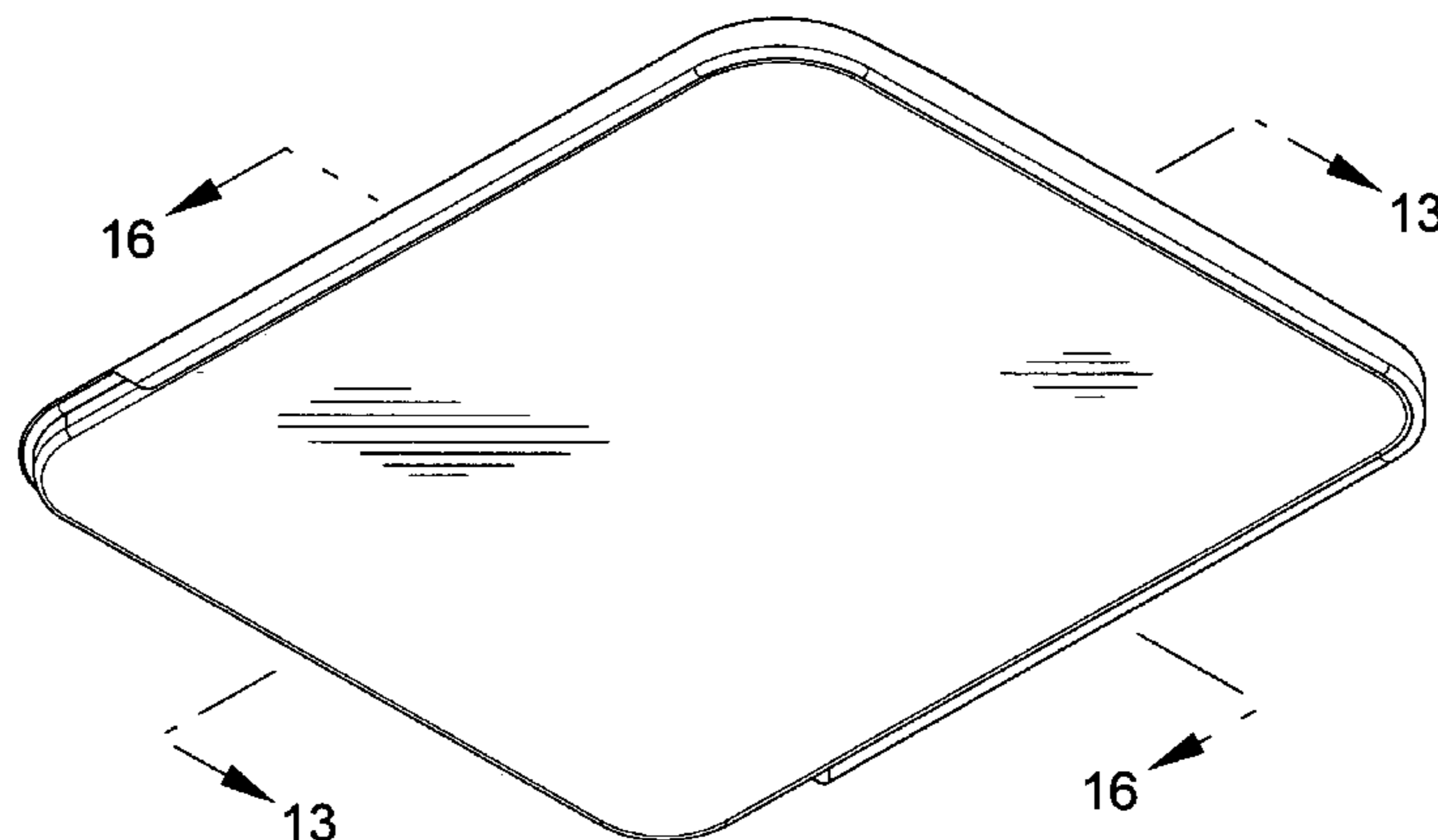
FIG. 14 is a cross section view taken through line 14—14 thereof;

FIG. 15 is a cross section view taken through line 15—15 thereof; and,

FIG. 16 is a cross section view taken through line 16—16 thereof.

Portions of FIGS. 11—16 are shown in fragment for ease of illustration.

**1 Claim, 9 Drawing Sheets**



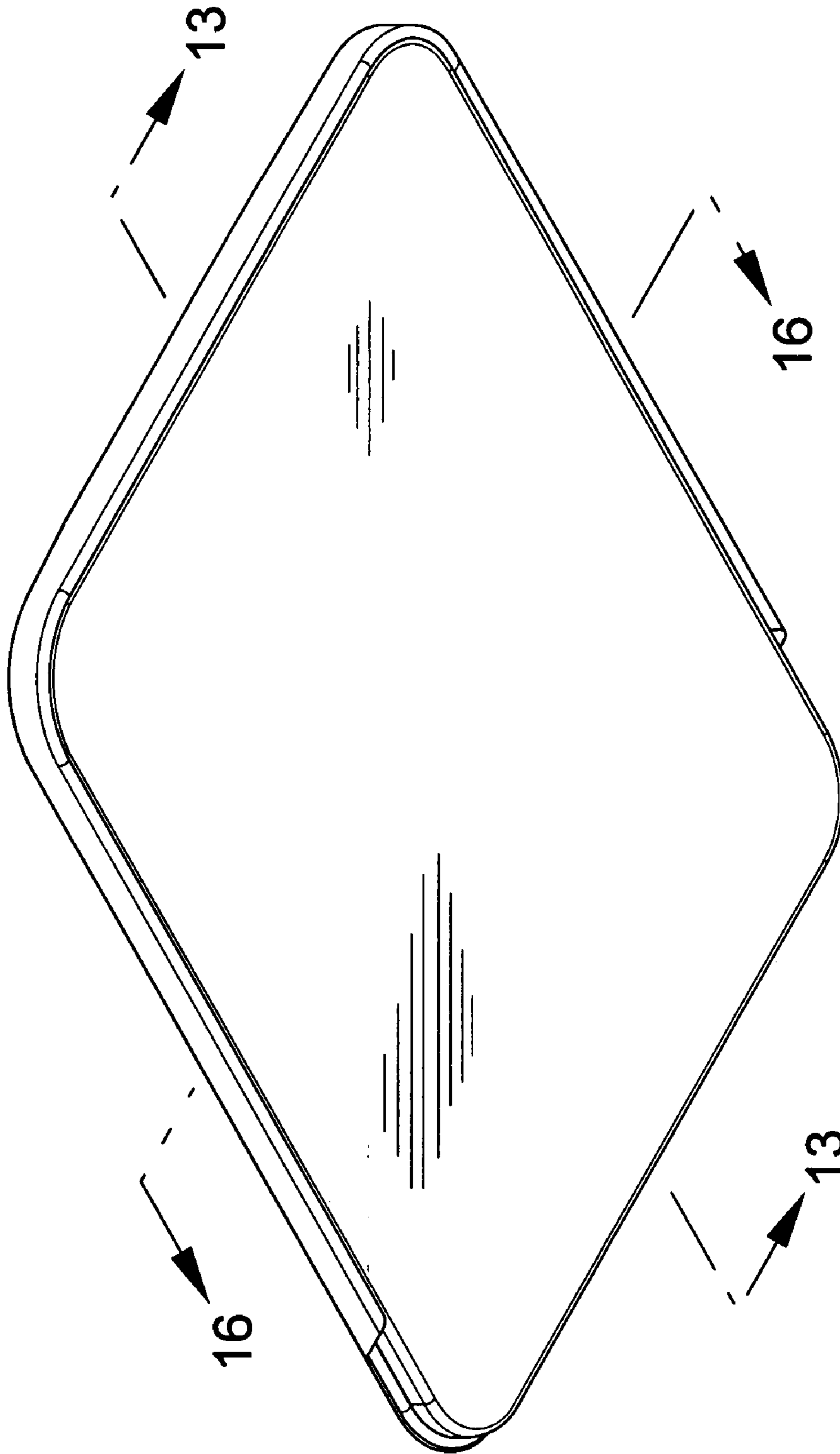
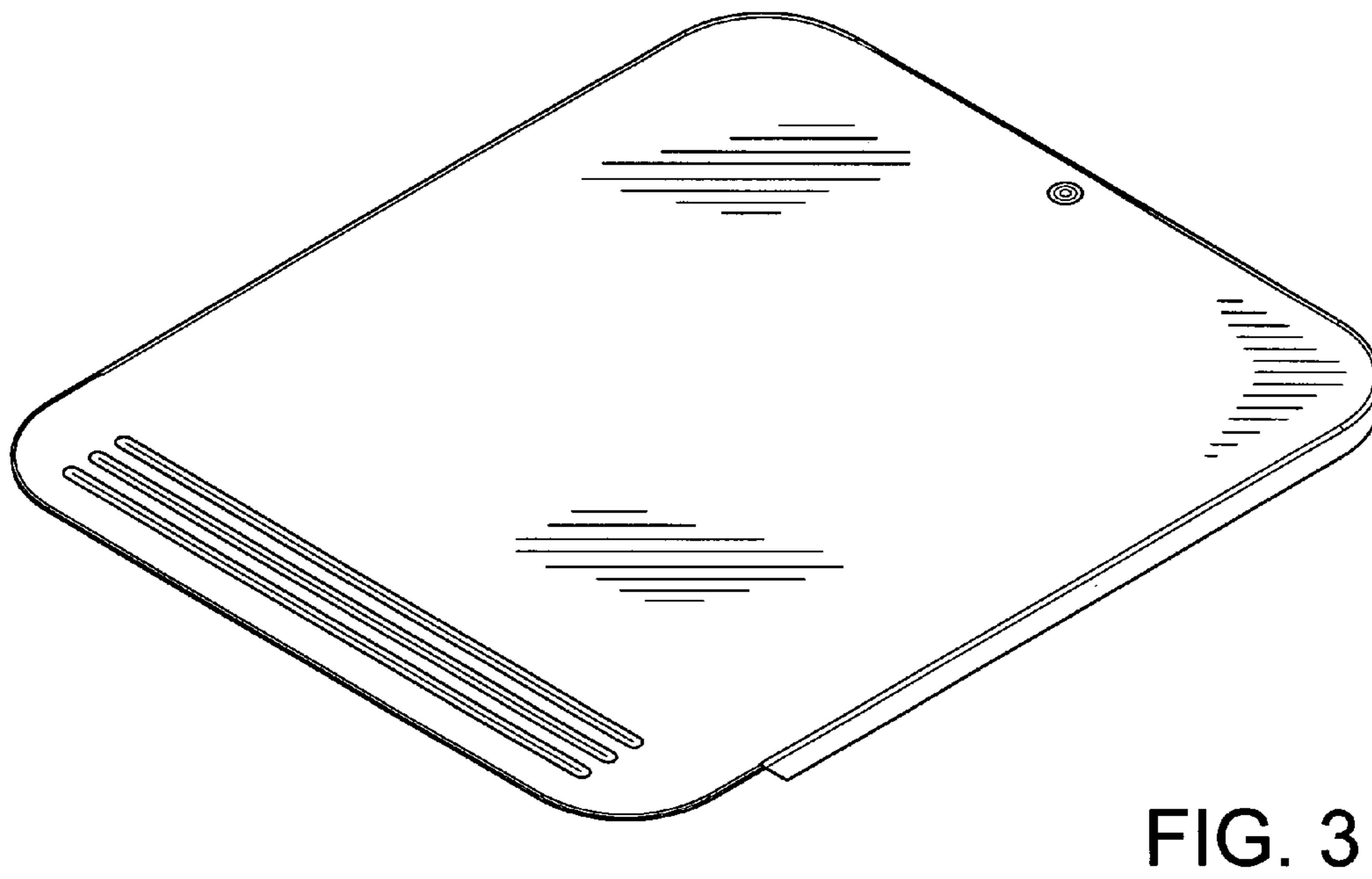
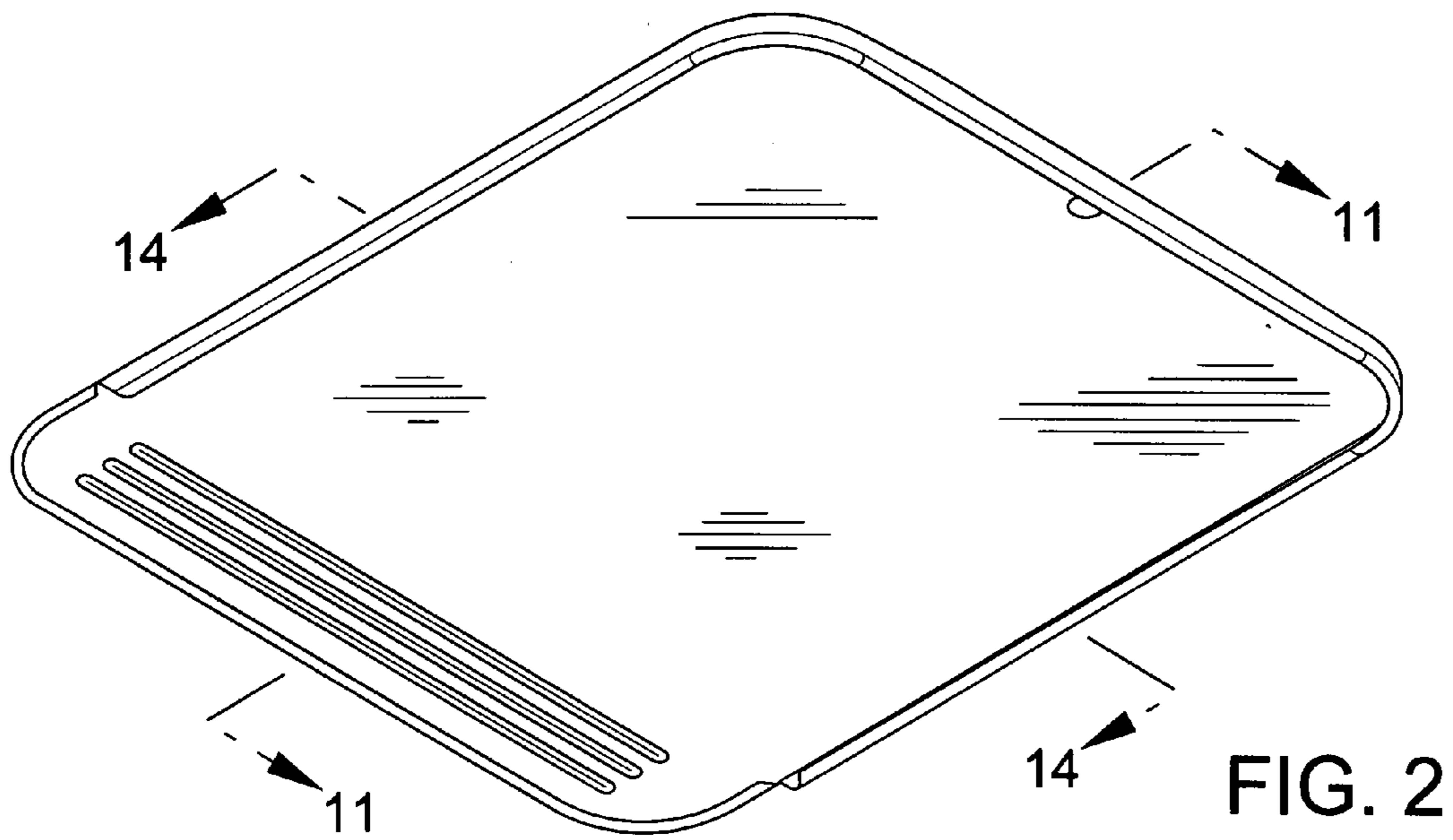
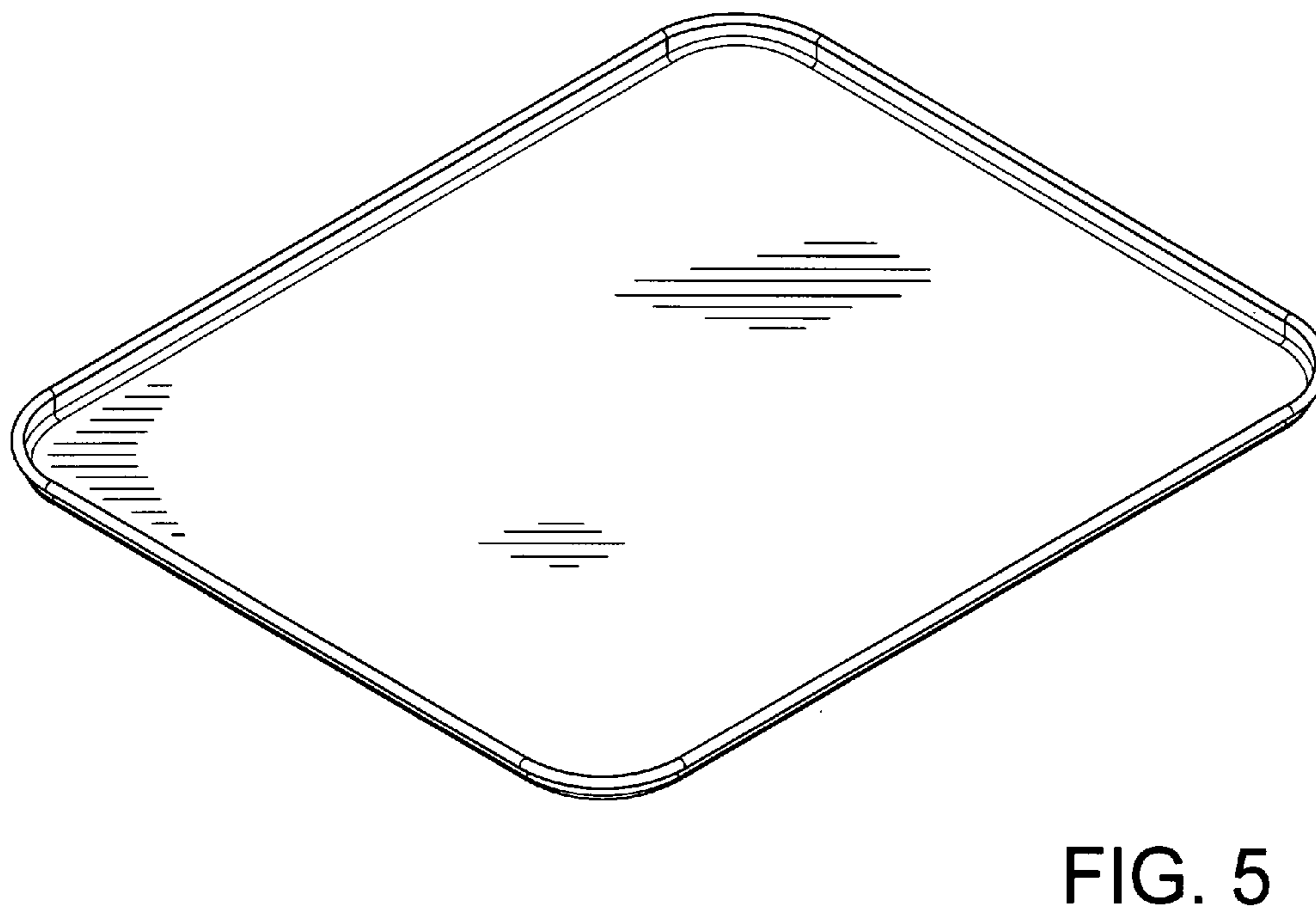
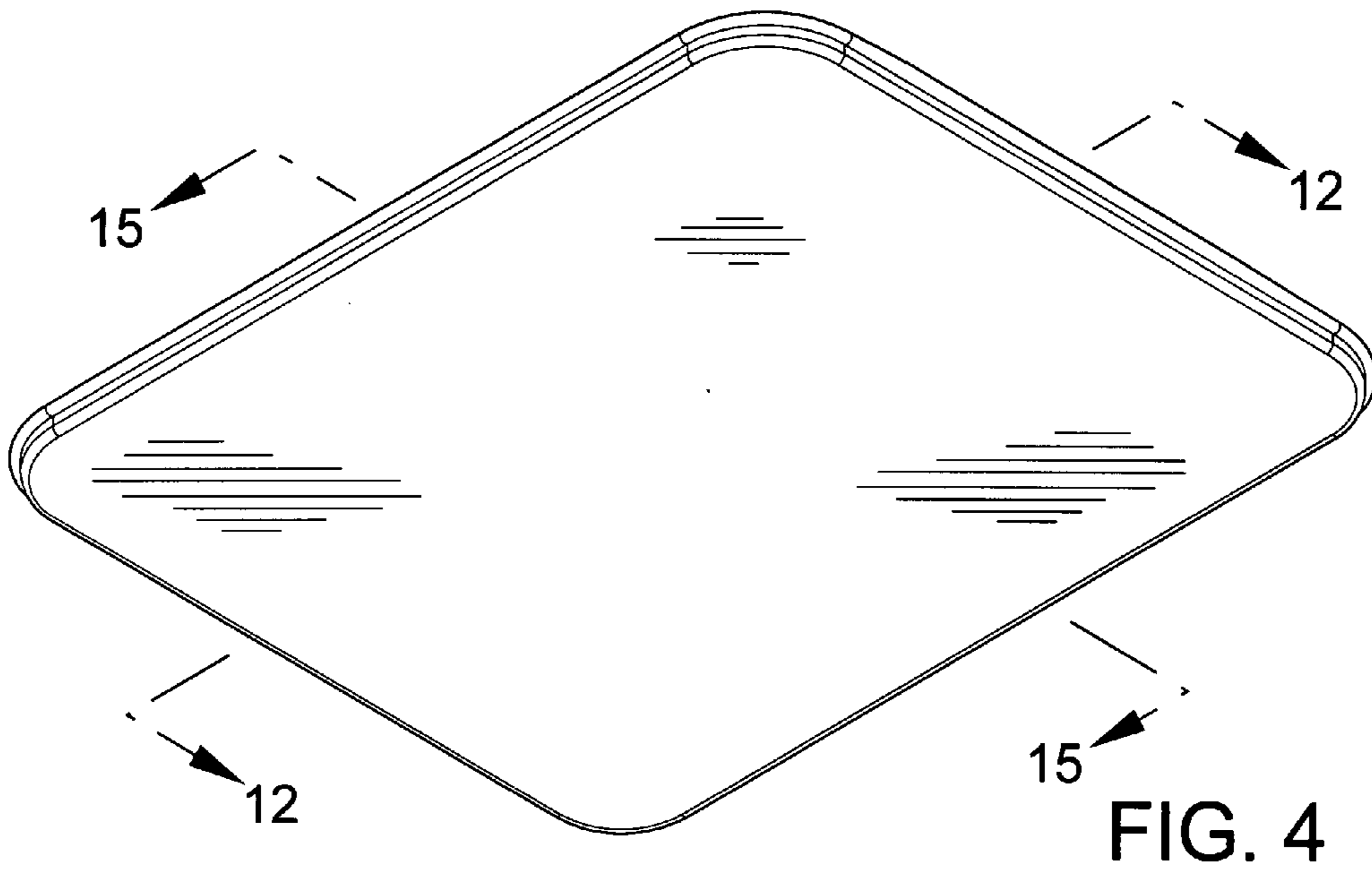


FIG. 1





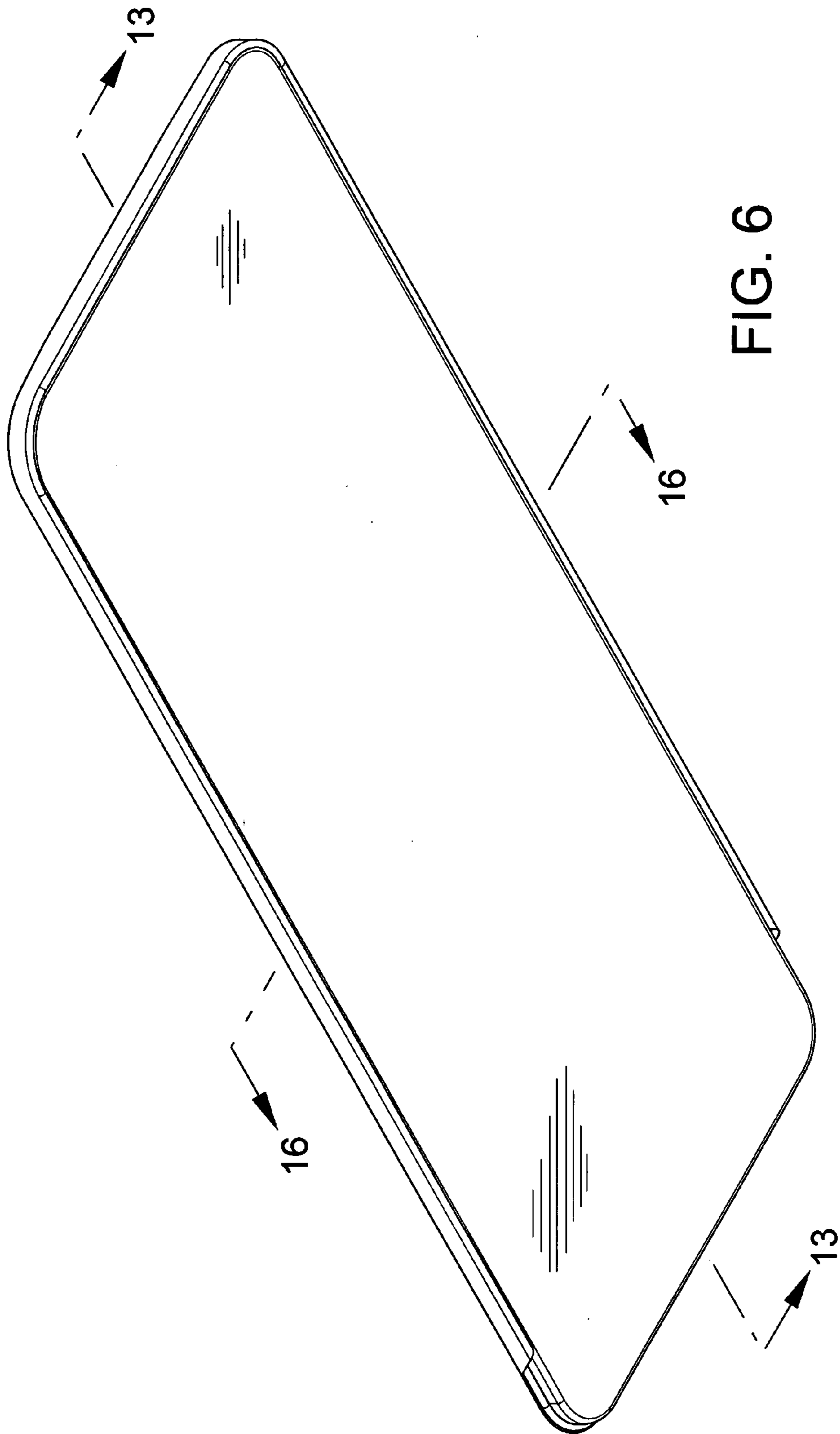
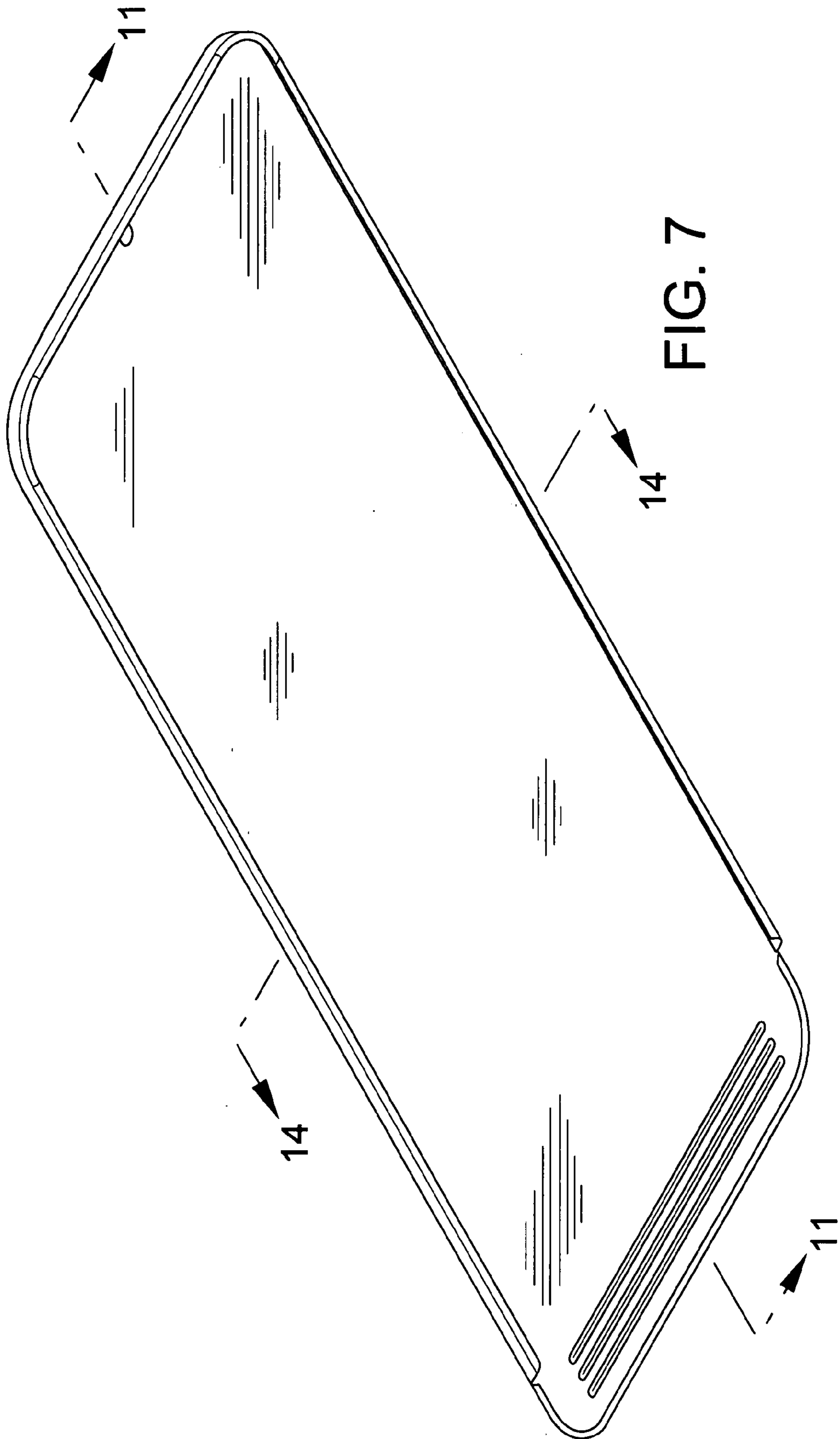


FIG. 6



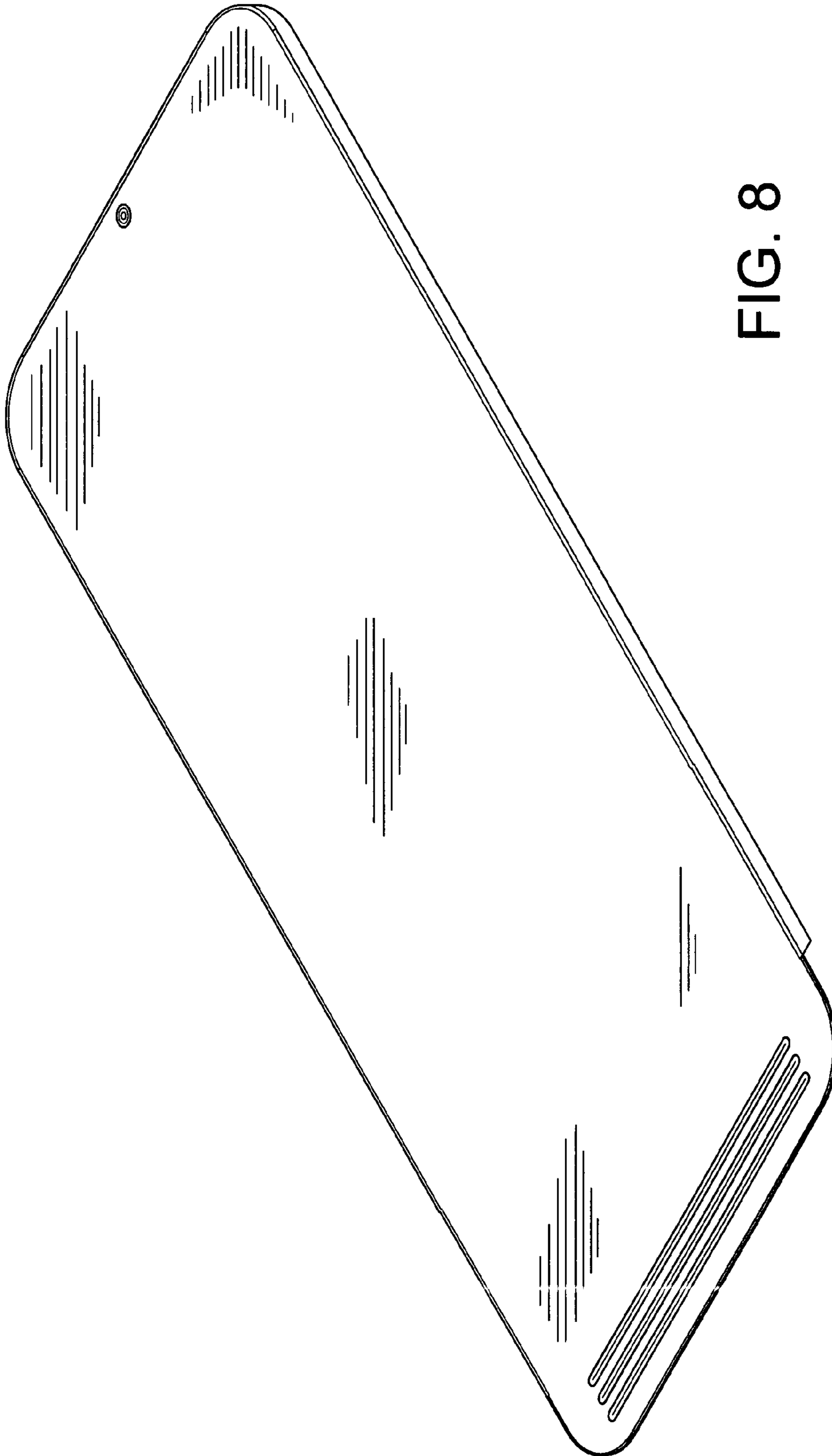


FIG. 8

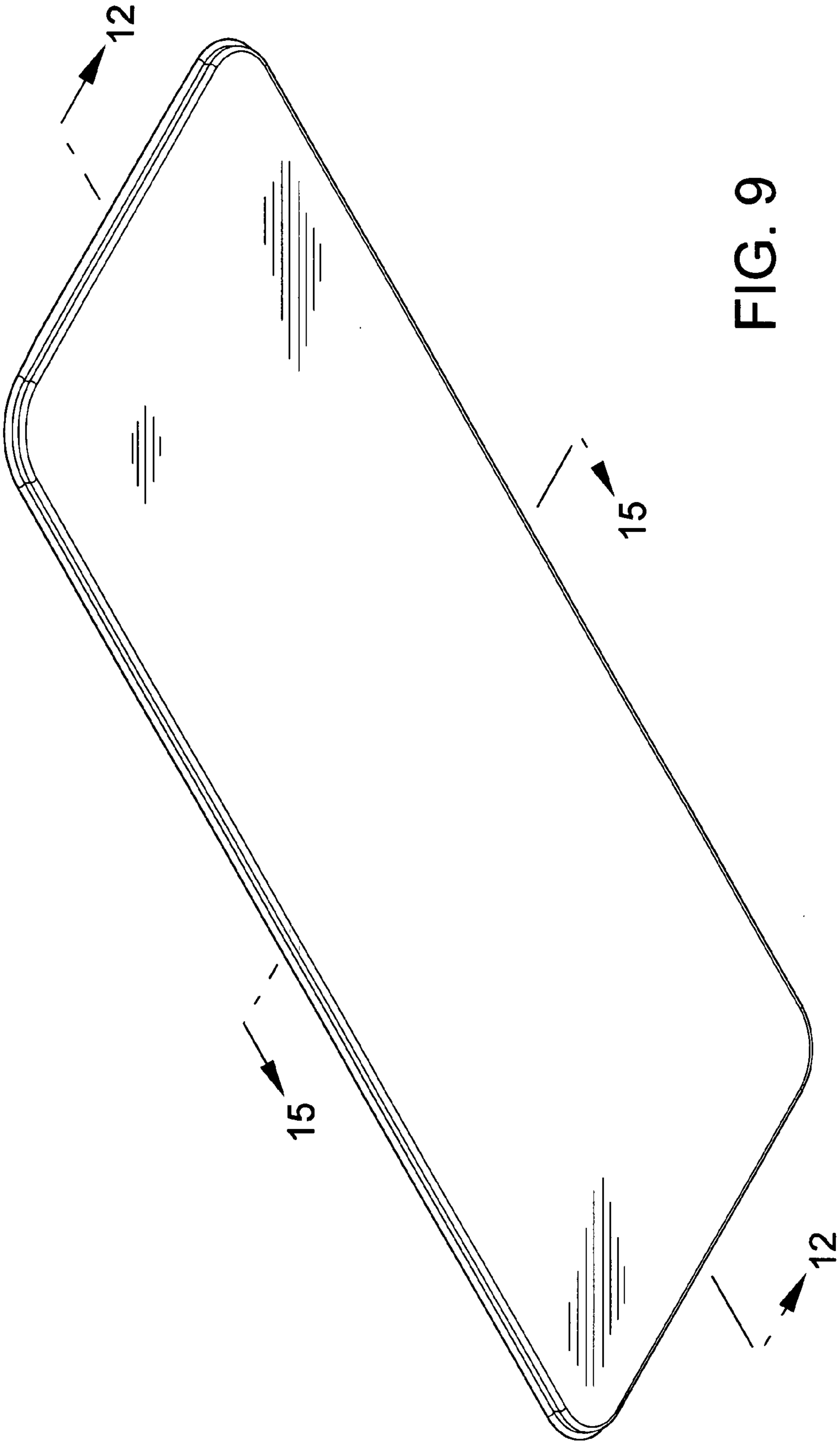


FIG. 9



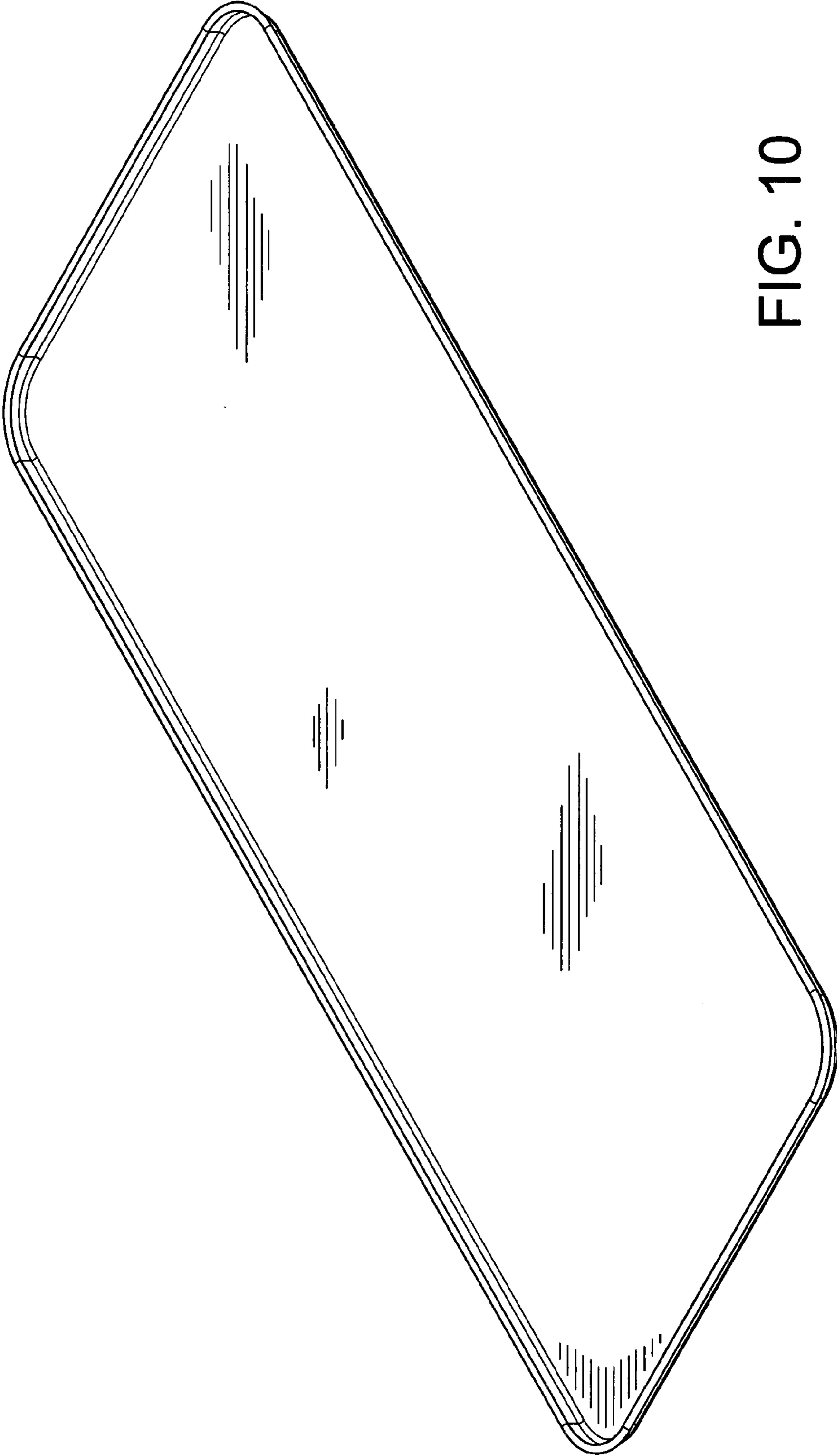


FIG. 10

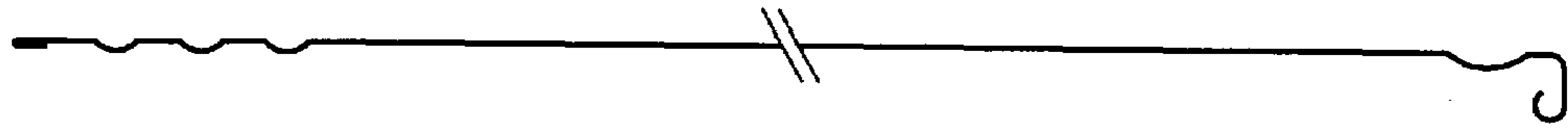


FIG. 11

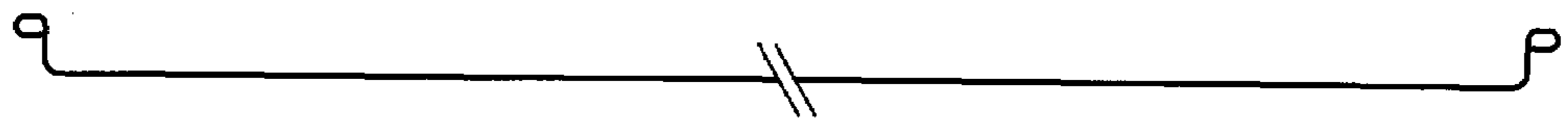


FIG. 12

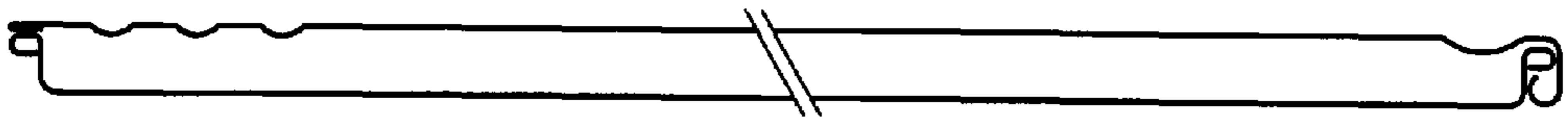


FIG. 13

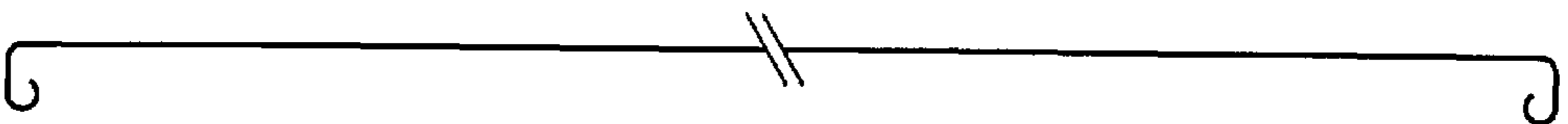


FIG. 14

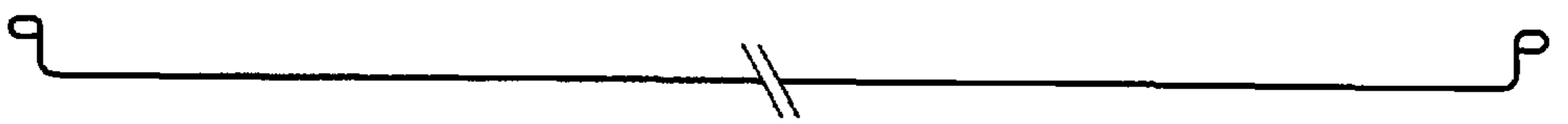


FIG. 15

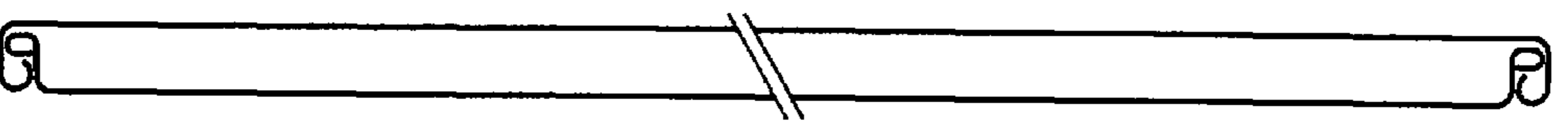


FIG. 16