



US00D557050S

(12) **United States Design Patent**  
**Dretzka**

(10) **Patent No.:** **US D557,050 S**

(45) **Date of Patent:** **\*\* Dec. 11, 2007**

(54) **SHOWER CADDY**

D530,948 S \* 10/2006 Snell ..... D6/525

(75) Inventor: **Philip C. Dretzka**, Mariemont, OH  
(US)

(73) Assignee: **InterDesign, Inc.**, Solon, OH (US)

(\*\*) Term: **14 Years**

(21) Appl. No.: **29/271,064**

(22) Filed: **Jan. 9, 2007**

(51) **LOC (8) Cl.** ..... **07-07**

(52) **U.S. Cl.** ..... **D6/525**

(58) **Field of Classification Search** ..... D6/524,  
D6/525, 566, 536, 540; 211/13.1, 74, 71.01,  
211/86.01, 75, 88.01, 90.01, 90.03, 106, 119,  
211/126.1, 133.5, 181.1, 134

See application file for complete search history.

(56) **References Cited**

**U.S. PATENT DOCUMENTS**

D376,942 S	*	12/1996	Munoz	.....	D6/525
D446,670 S	*	8/2001	Emery et al.	.....	D6/525
D472,748 S	*	4/2003	Walker	.....	D6/525
D477,947 S		8/2003	Snell		
D479,073 S		9/2003	Snell		
D479,074 S	*	9/2003	Snell	.....	D6/525
D479,663 S	*	9/2003	Snell	.....	D6/525
D489,207 S	*	5/2004	Rosen	.....	D6/525
D498,102 S	*	11/2004	Snell	.....	D6/525
D512,861 S	*	12/2005	Rosen	.....	D6/525
D530,551 S	*	10/2006	Snell	.....	D6/525

**OTHER PUBLICATIONS**

2005 *bath housewares storage*, p. 14, 15, 16 & 17, InterDesign, Inc. product brochure w/front & back cover.

\* cited by examiner

*Primary Examiner*—Brian N Vinson

(74) *Attorney, Agent, or Firm*—D. Peter Hochberg; Sean Mellino

(57) **CLAIM**

The ornamental design for a shower caddy, as shown and described.

**DESCRIPTION**

FIG. 1 is a perspective view of the shower caddy according to the invention;

FIG. 2 is a top view of the shower caddy as shown in FIG. 1;

FIG. 3 is a front view of the shower caddy as shown in FIG. 1;

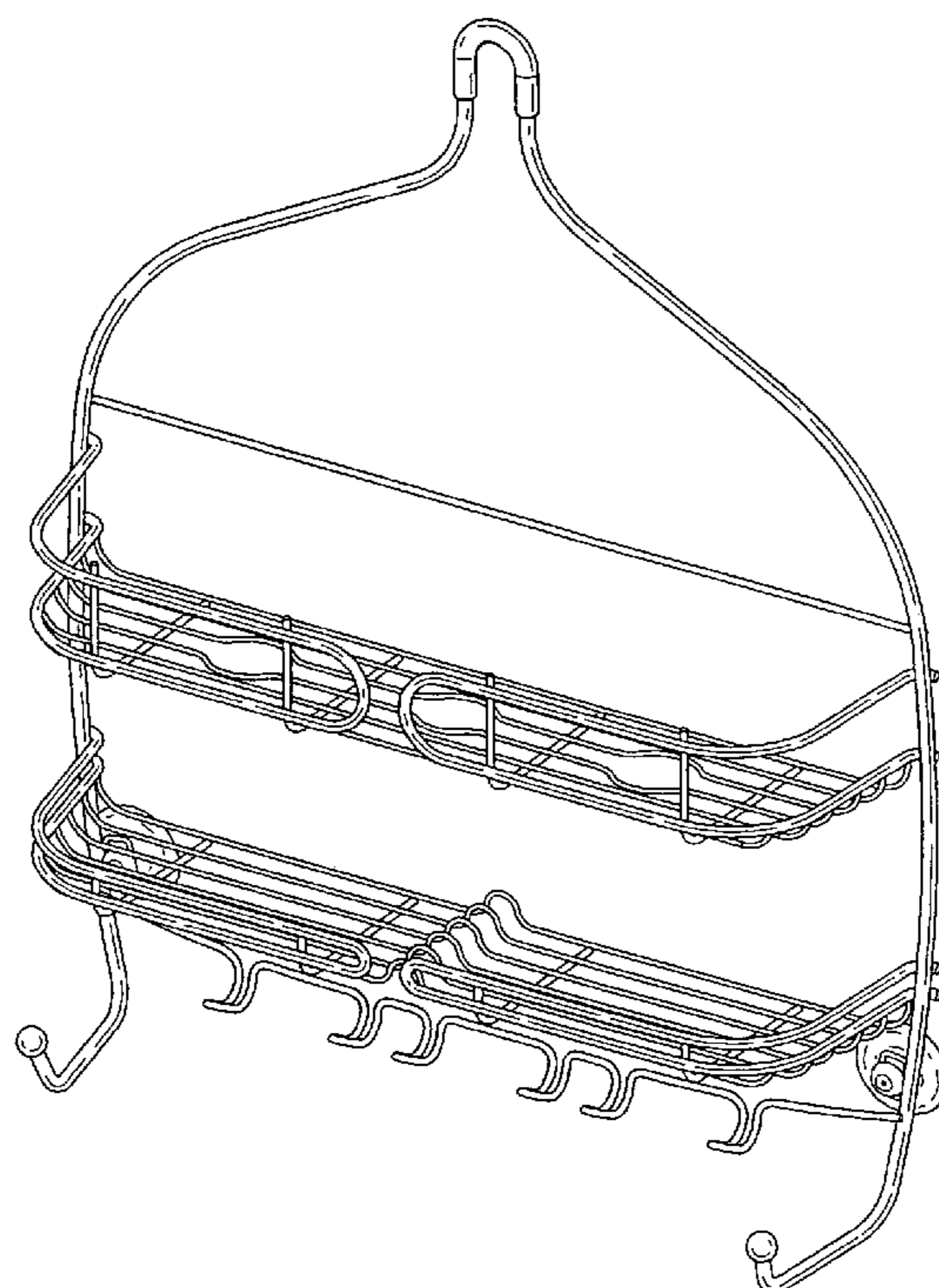
FIG. 4 is a side view of the shower caddy as shown in FIG. 1;

FIG. 5 is a rear view of the shower caddy as shown in FIG. 1;

FIG. 6 is a side view of the shower caddy as shown in FIG. 1, shown from the opposite side as that shown in FIG. 4; and,

FIG. 7 is a bottom view of the shower caddy as shown in FIG. 1.

**1 Claim, 3 Drawing Sheets**



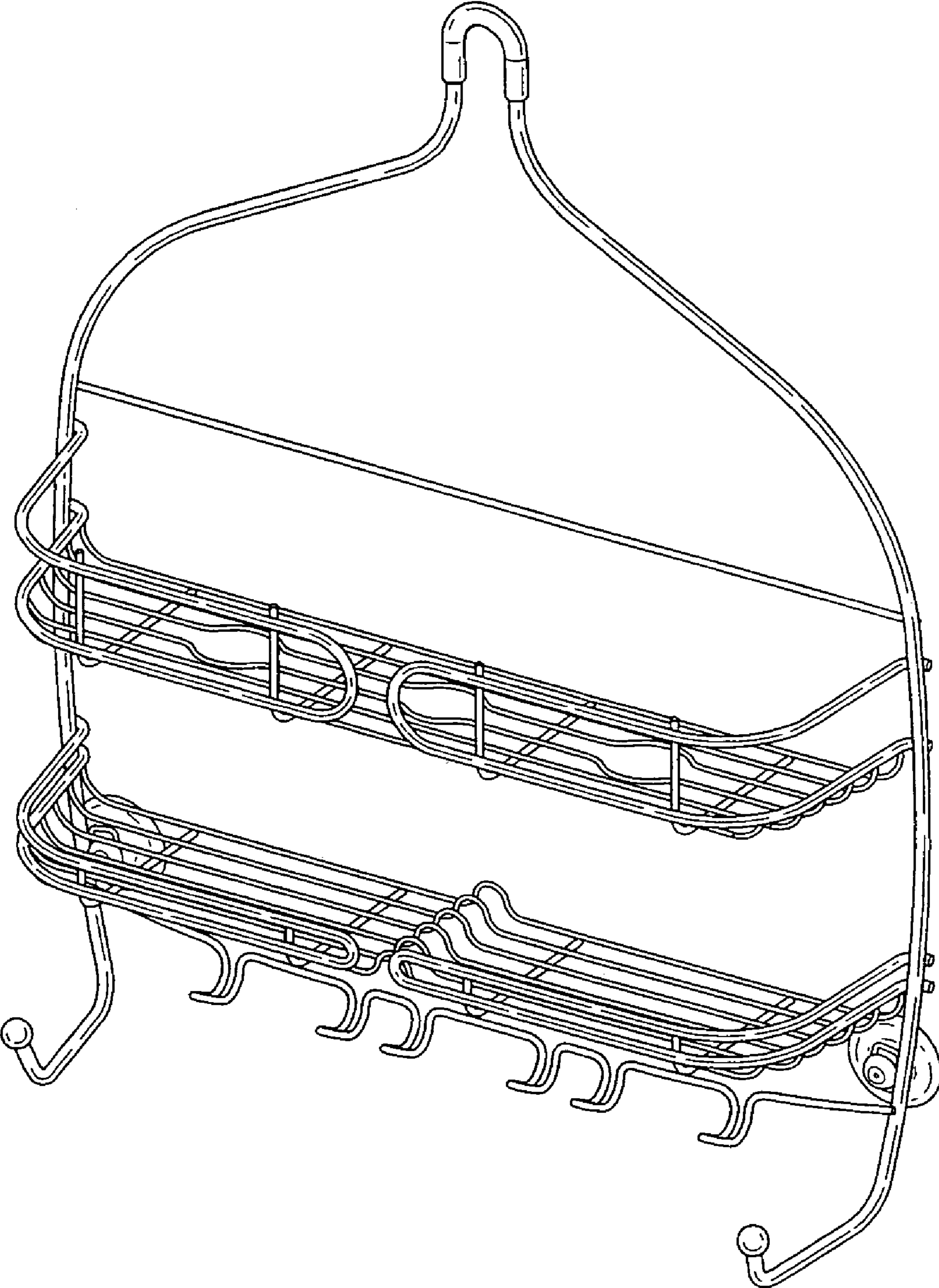


FIG-1

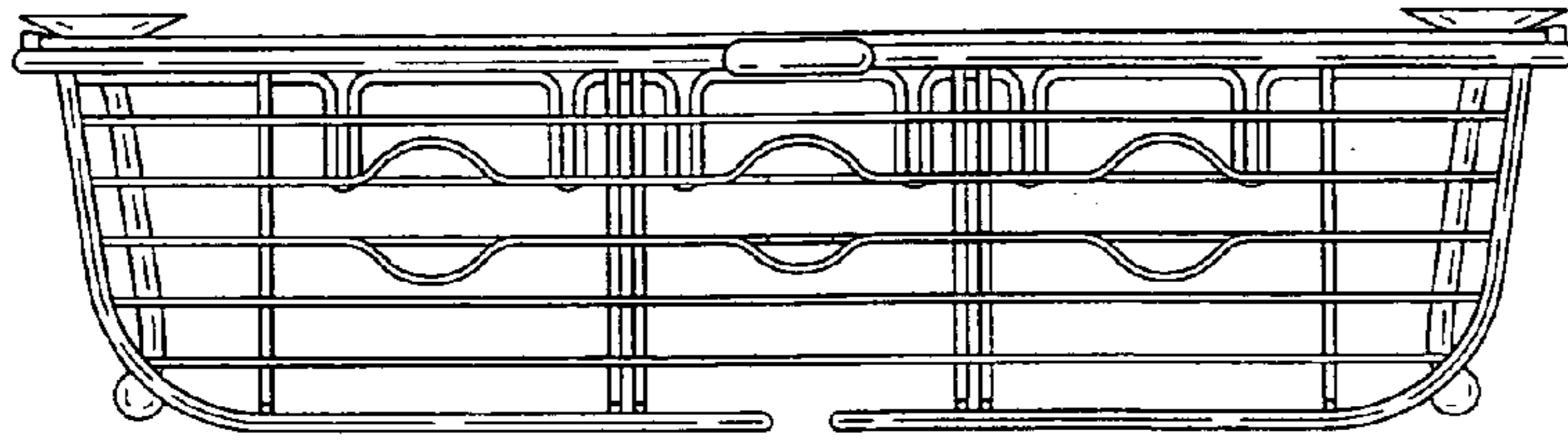


FIG-2

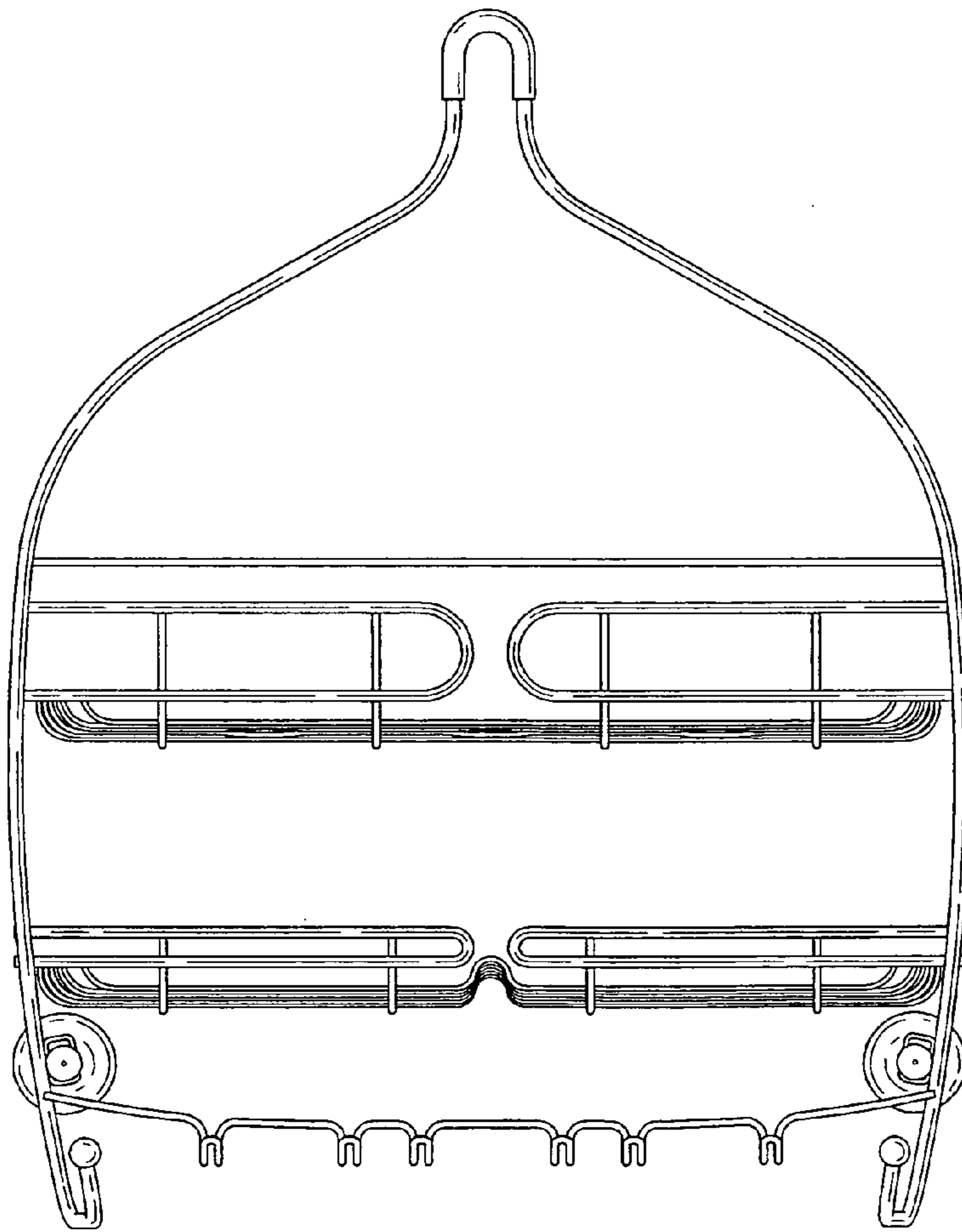


FIG-3

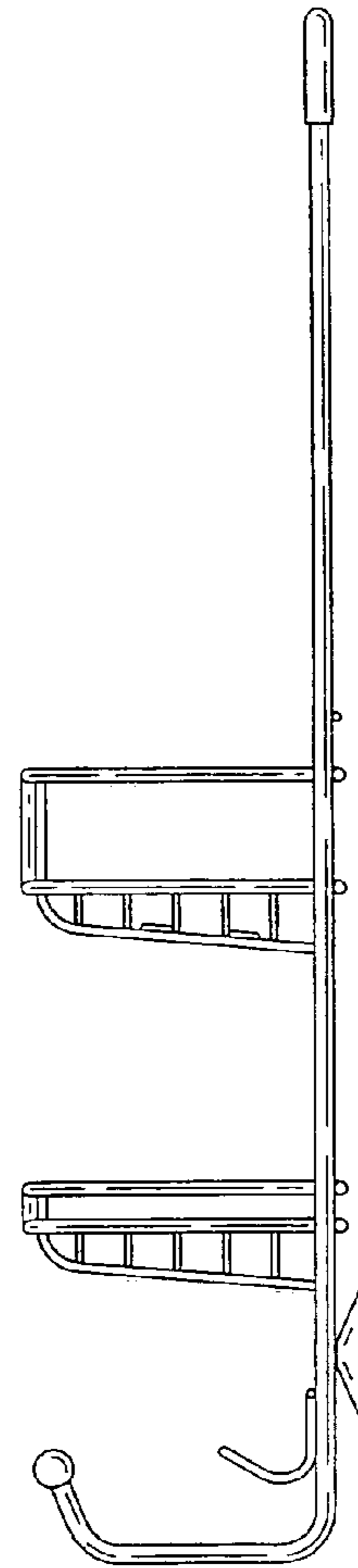


FIG-4

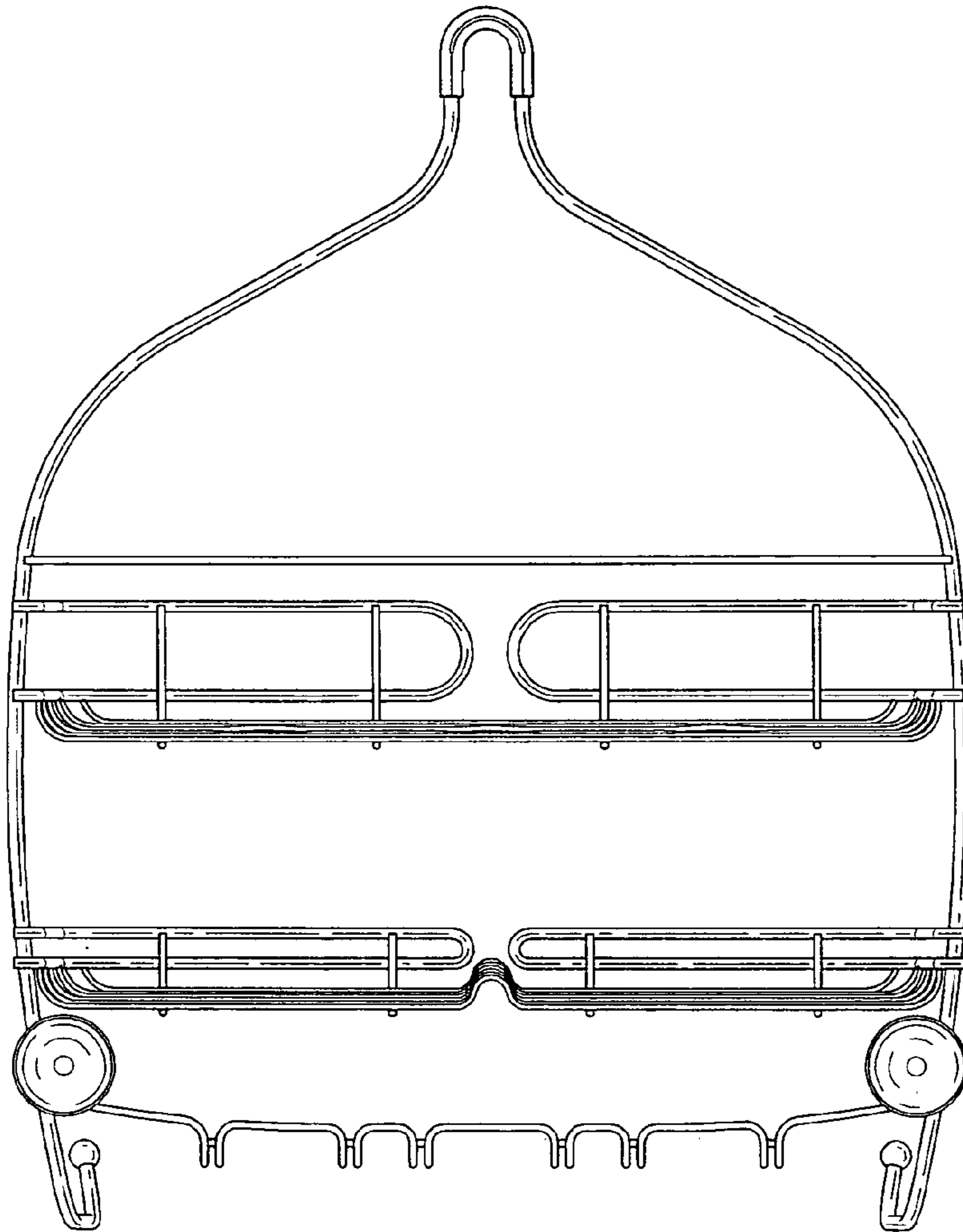


FIG-5

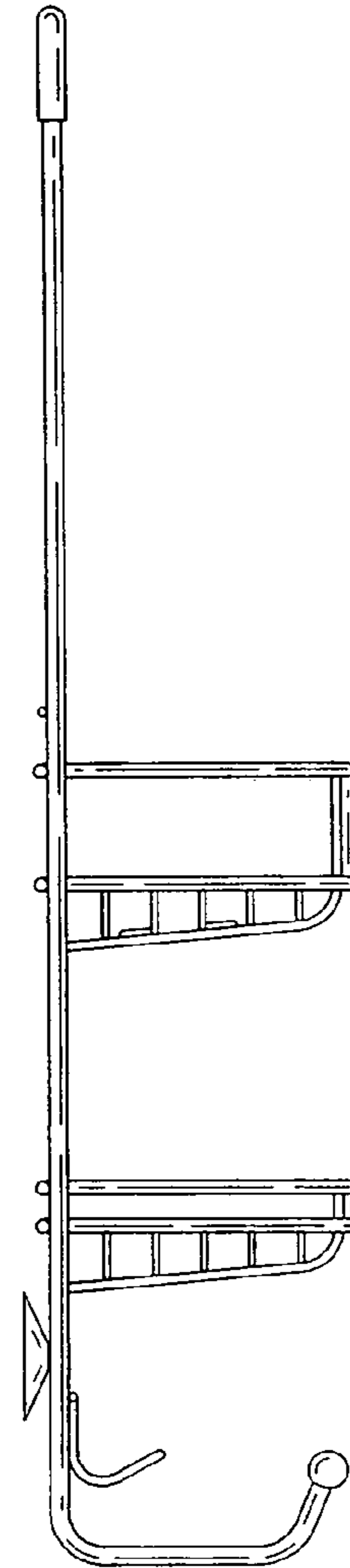


FIG-6

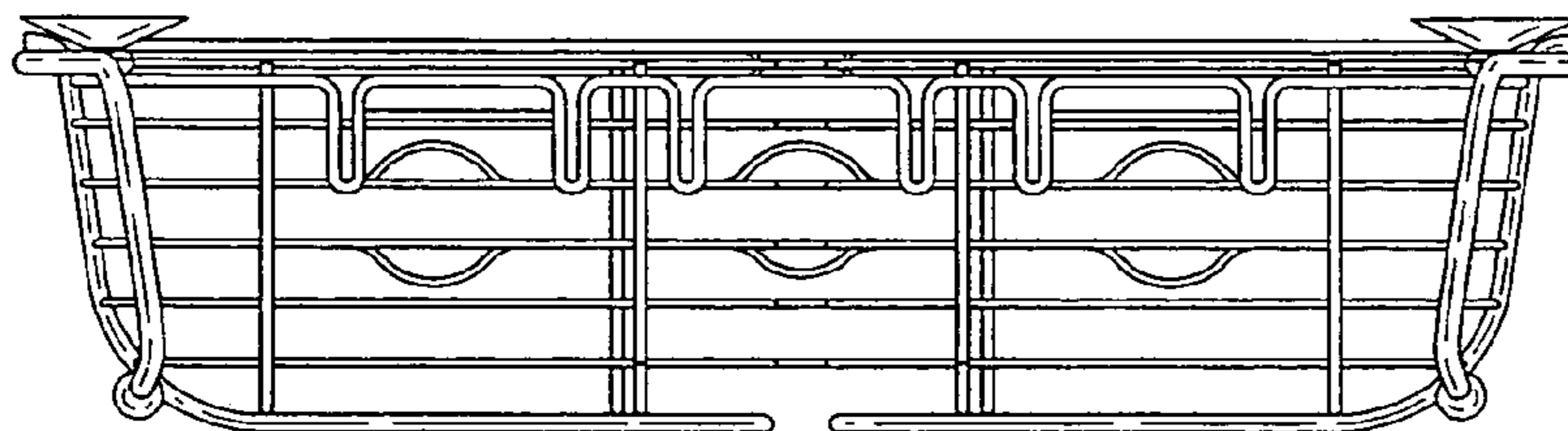


FIG-7