



US00D557049S

(12) **United States Design Patent**
Sedwick et al.

(10) **Patent No.:** **US D557,049 S**

(45) **Date of Patent:** **** Dec. 11, 2007**

(54) **ACCESSORY POST**

(75) Inventors: **Jennifer P. Sedwick**, Lakewood, OH (US); **Sean C. McGreevy**, Cleveland Heights, OH (US)

(73) Assignee: **Moen Incorporated**, North Olmsted, OH (US)

(**) Term: **14 Years**

(21) Appl. No.: **29/270,389**

(22) Filed: **Dec. 21, 2006**

(51) **LOC (8) Cl.** **23-02**

(52) **U.S. Cl.** **D6/524**

(58) **Field of Classification Search** D6/546-550, D6/518-519, 522-524; D8/300, 303, 315-321, D8/354, 363, 373, 380; 108/28-29; 211/13.1, 211/16, 60.1, 86.01, 87.01, 88.01, 88.04, 211/100, 105.1-105.2, 123, 126.1, 133.6, 211/134, 181.1, 182; 248/175, 176.1, 200, 248/251, 302, 309.1; 16/110.1, 412, 415; 242/570, 590, 595-598; 206/389, 557

See application file for complete search history.

(56) **References Cited**

U.S. PATENT DOCUMENTS

D222,778 S	12/1971	Clayton et al.	
D325,622 S	4/1992	Bengtson	
D329,347 S	9/1992	Gomes	
D337,230 S *	7/1993	Wang	D6/550
D348,509 S	7/1994	Bollenbacher	
D385,735 S	11/1997	Hundley et al.	
D390,397 S *	2/1998	Chen	D6/550
D392,139 S	3/1998	Wu	
D424,354 S *	5/2000	Duggan	D6/550
D425,348 S	5/2000	Chen	
D431,139 S	9/2000	Chen	
D431,948 S *	10/2000	Chen	D6/524
D449,948 S *	11/2001	Lai	D6/524

D449,950 S *	11/2001	Lai	D6/524
D452,102 S	12/2001	Yeh	
D454,744 S	3/2002	Ou-Young	
D456,195 S	4/2002	Meck et al.	
D458,346 S	6/2002	Mullenmeister	
D463,533 S	9/2002	Ko	
D463,937 S	10/2002	Lee Wang	
D465,955 S *	11/2002	Yen	D6/550
D466,346 S	12/2002	Moore	
D466,347 S *	12/2002	Chen	D6/550

(Continued)

Primary Examiner—Brian N Vinson

(74) *Attorney, Agent, or Firm*—Calfee, Halter & Griswold LLP

(57) **CLAIM**

The ornamental design for an accessory post, as shown and described.

DESCRIPTION

FIG. 1 is a perspective view of an accessory post of the new design;

FIG. 2 is a front elevational view of the accessory post of FIG. 1;

FIG. 3 is a rear elevational view of the accessory post of FIG. 1;

FIG. 4 is a left side elevational view of the accessory post of FIG. 1;

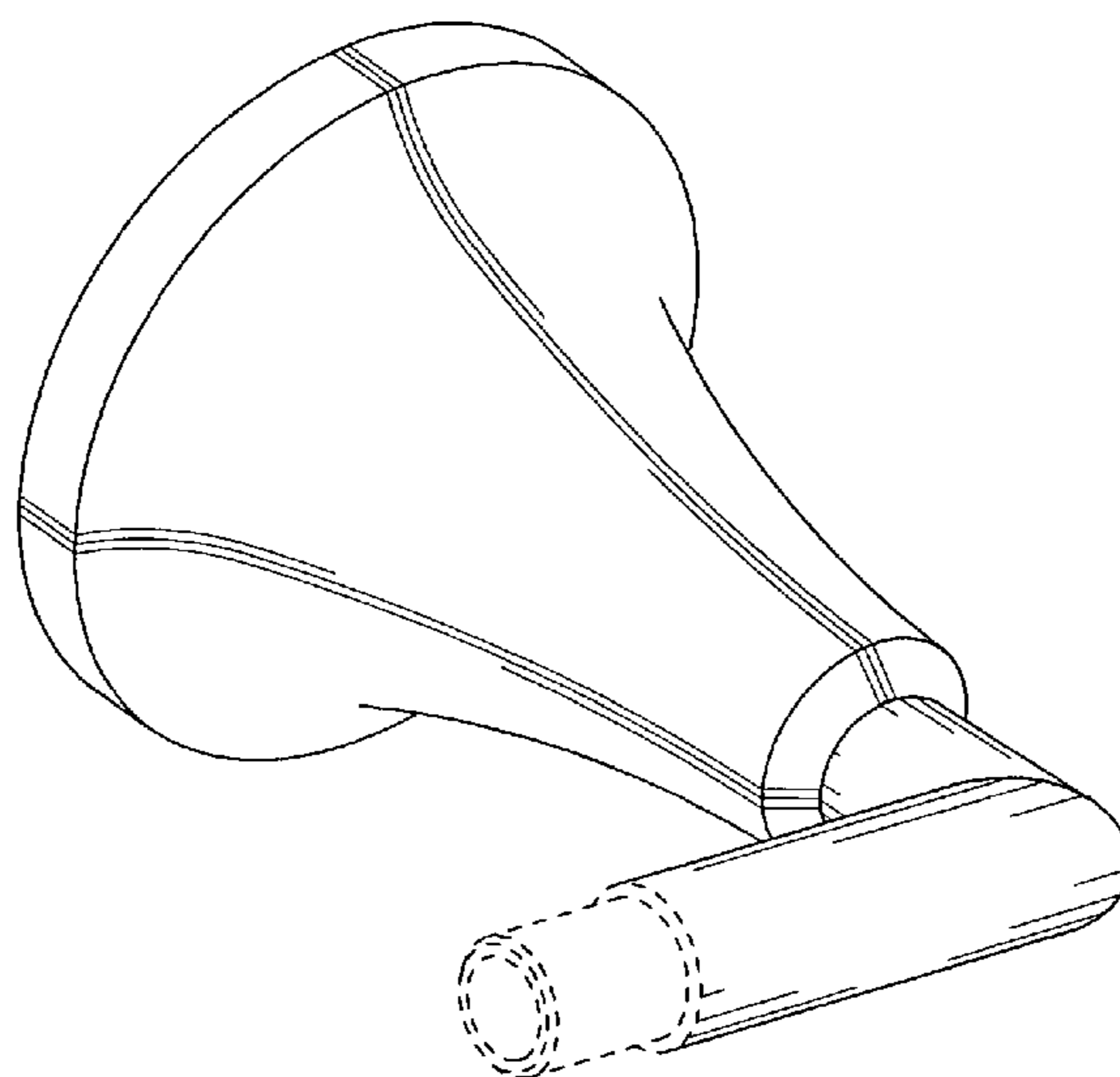
FIG. 5 is a right side elevational view of the accessory post of FIG. 1;

FIG. 6 is a top plan view of the accessory post of FIG. 1; and,

FIG. 7 is a bottom plan view of the accessory post of FIG. 1.

The portions of the Figures shown in broken lines are not part of the claimed design and are for illustration only.

1 Claim, 3 Drawing Sheets



US D557,049 S

Page 2

U.S. PATENT DOCUMENTS

D466,349 S	12/2002	Tai		D477,168 S *	7/2003	Greenspon	D6/524
D466,350 S *	12/2002	Tai	D6/550	D477,946 S *	8/2003	Ouano	D6/524
D469,292 S *	1/2003	Chen et al.	D6/550	D484,720 S *	1/2004	Moore	D6/524
D473,412 S	4/2003	Chou		D492,525 S *	7/2004	Roberts et al.	D6/524
D474,929 S *	5/2003	Lai	D6/524	D497,753 S	11/2004	Wu	
D474,932 S *	5/2003	Lai	D6/524	D499,290 S	12/2004	Lai	

* cited by examiner

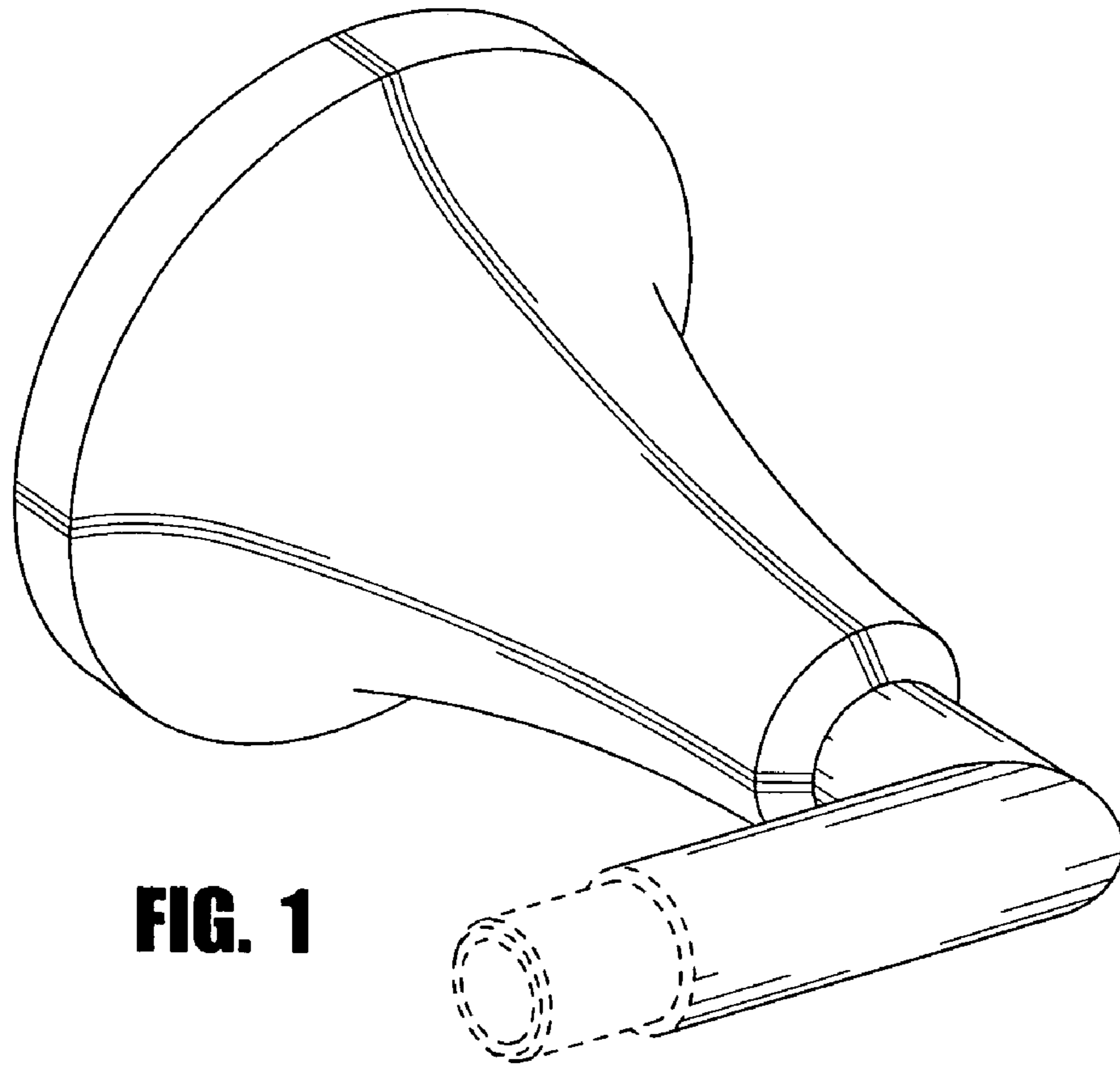


FIG. 1

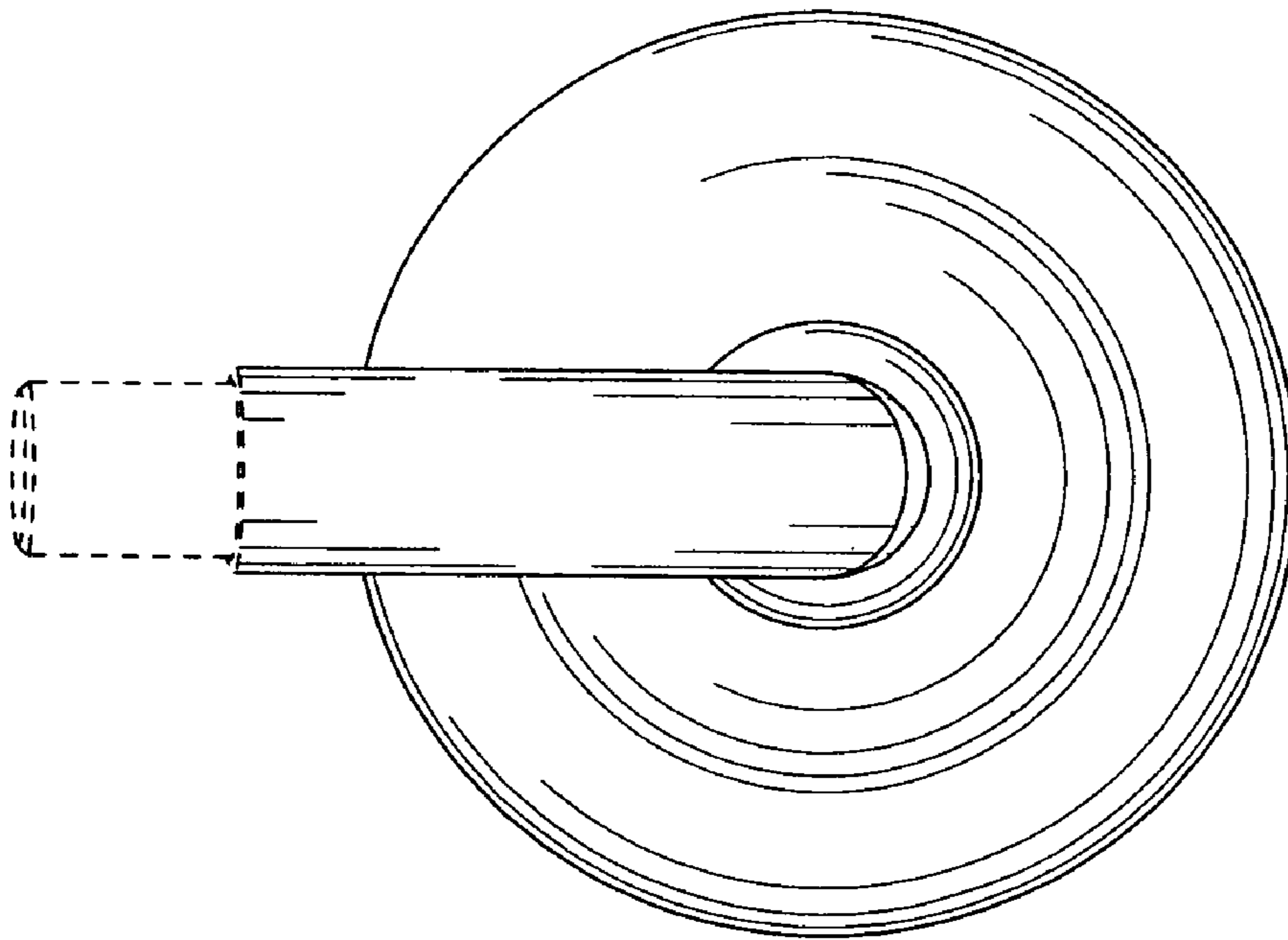


FIG. 2

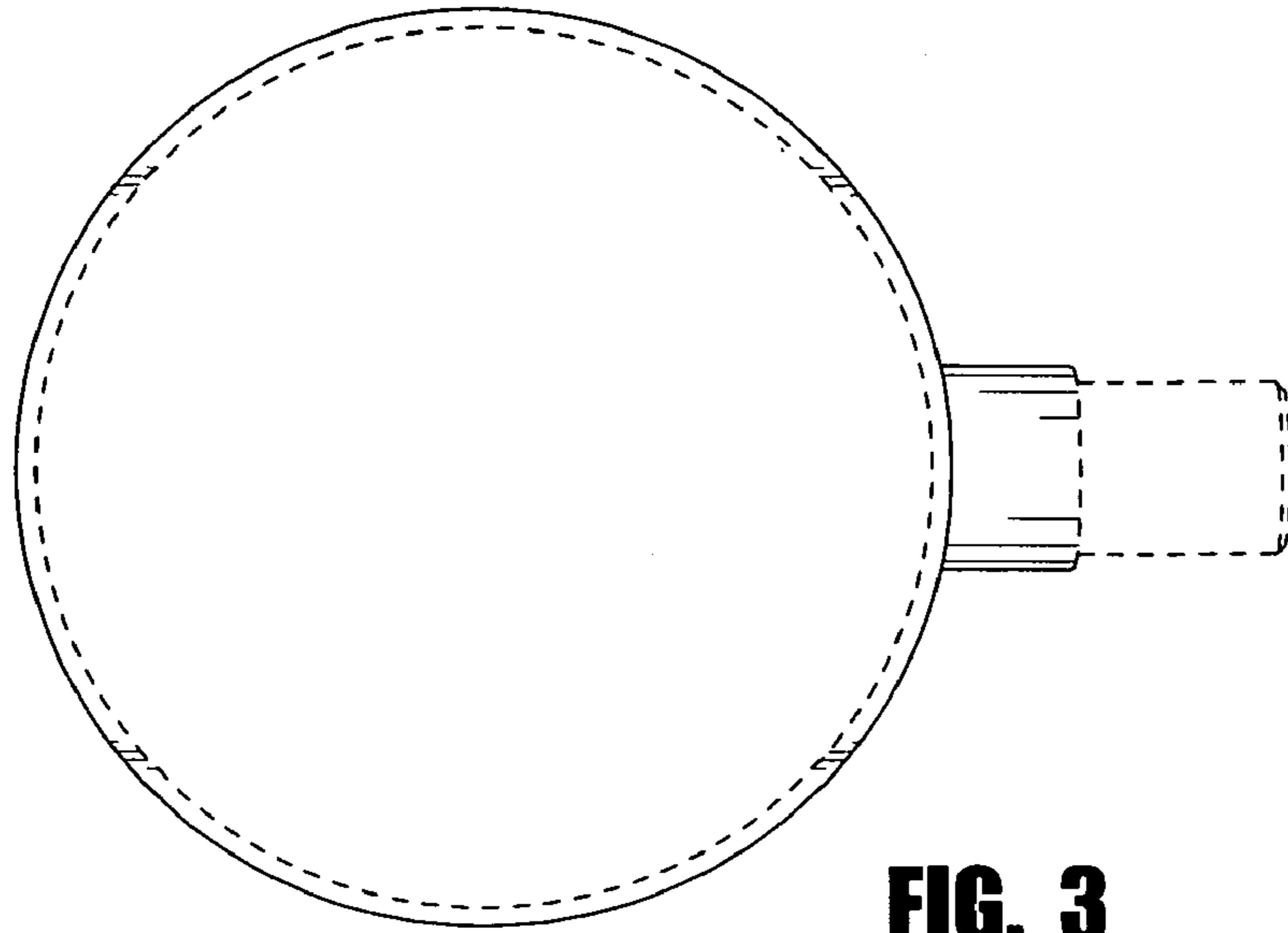


FIG. 3

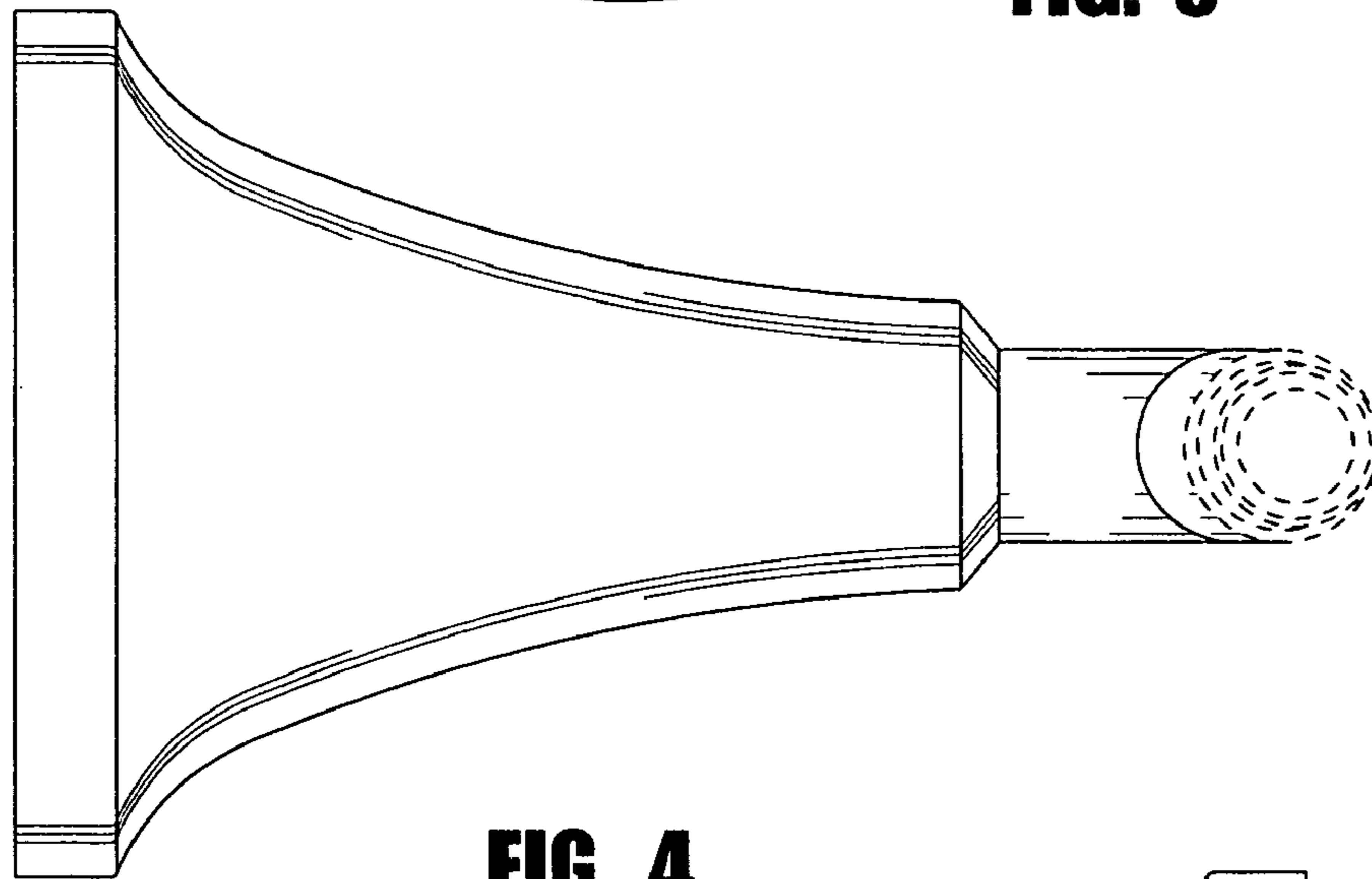


FIG. 4

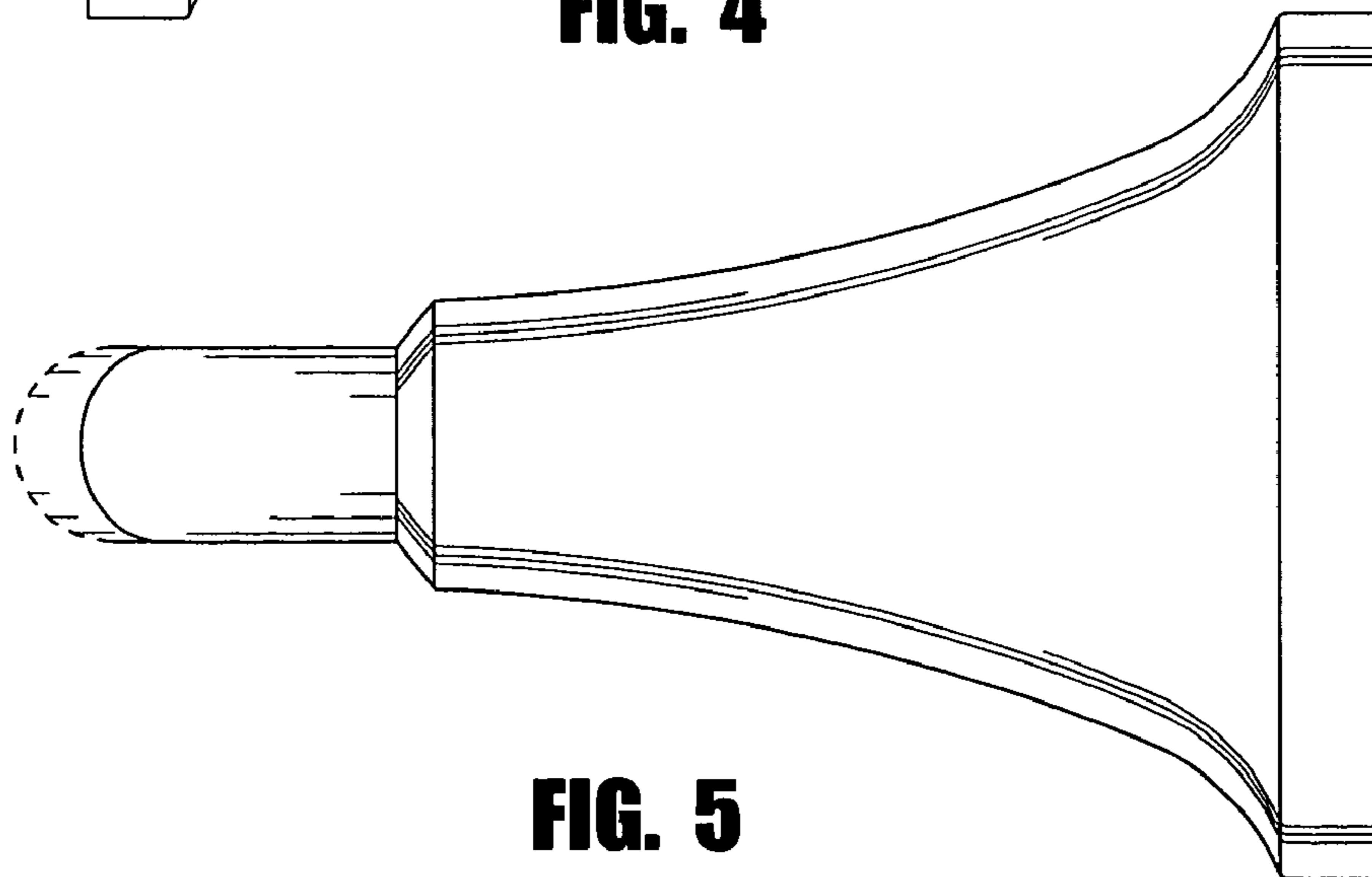


FIG. 5

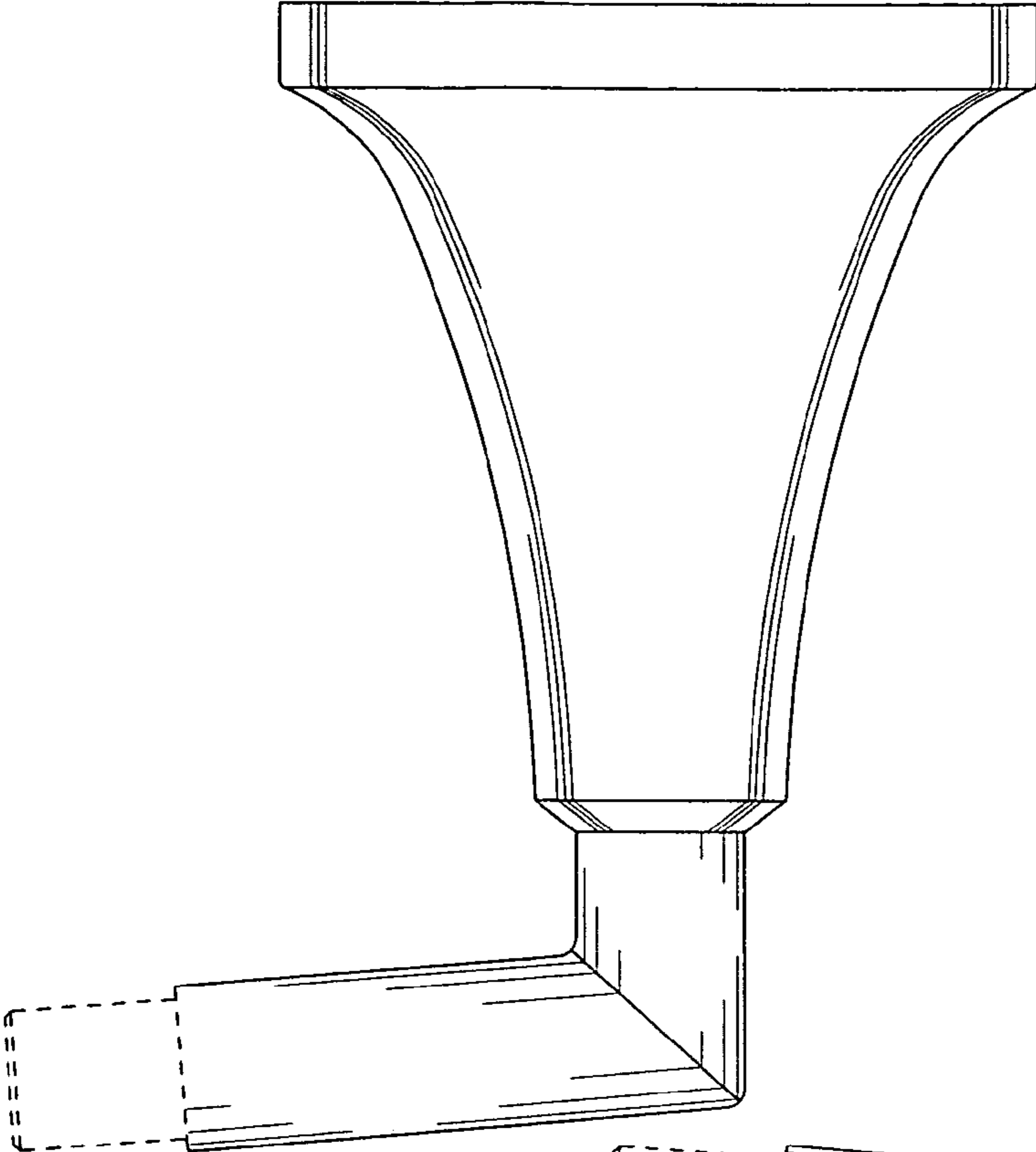


FIG. 6

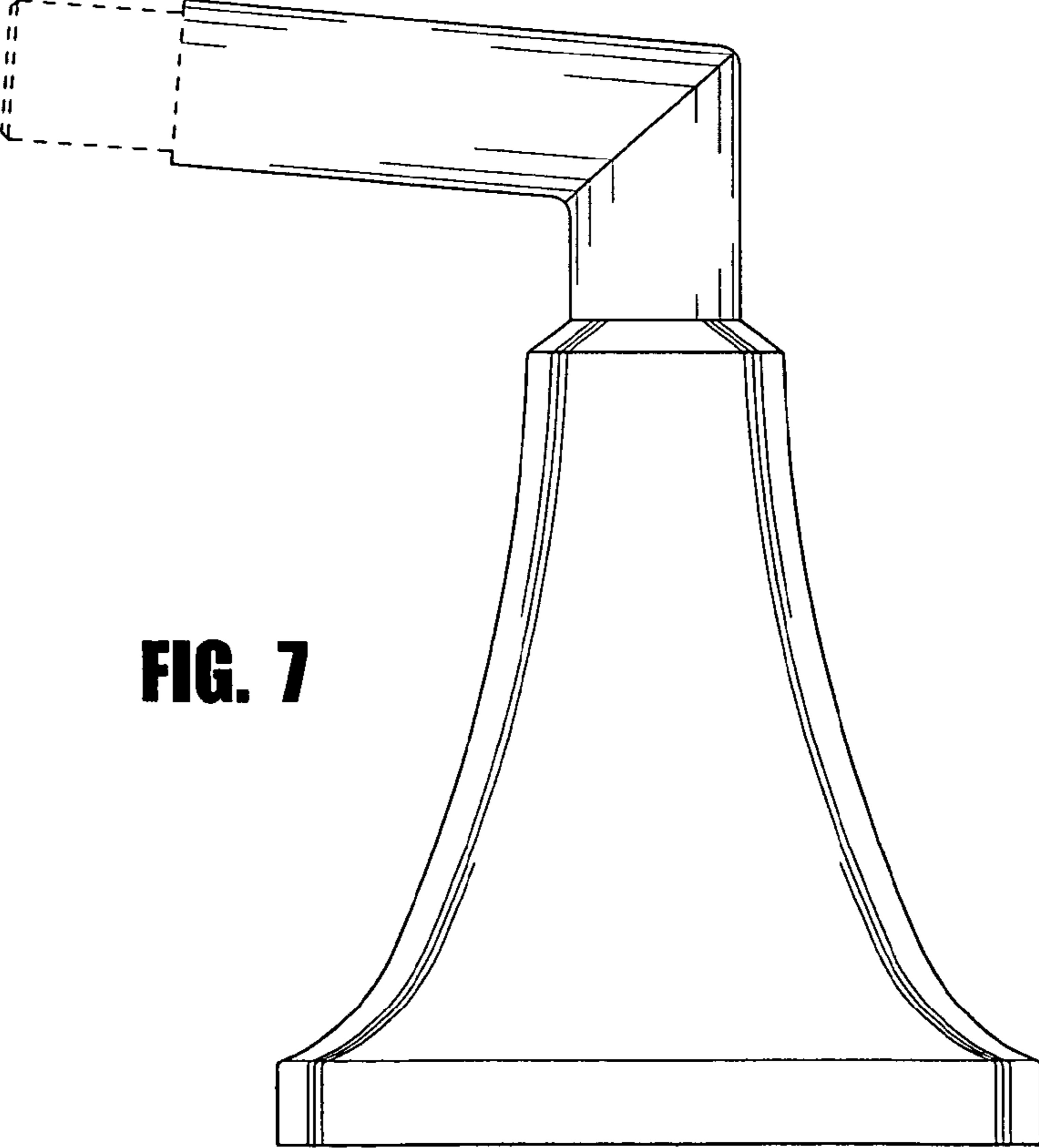


FIG. 7