

US00D557047S

(12) **United States Design Patent**  
**Dretzka**

(10) **Patent No.:** **US D557,047 S**

(45) **Date of Patent:** **\*\* Dec. 11, 2007**

(54) **DRAWER ORGANIZER**

(75) Inventor: **Philip C. Dretzka**, Mariemont, OH  
(US)

(73) Assignee: **InterDesign, Inc.**, Solon, OH (US)

(\*\*) Term: **14 Years**

(21) Appl. No.: **29/272,435**

(22) Filed: **Feb. 8, 2007**

(51) **LOC (8) Cl.** ..... **06-04**

(52) **U.S. Cl.** ..... **D6/510**

(58) **Field of Classification Search** ..... D6/432,  
D6/436, 467, 475, 476, 509-511; D3/310,  
D3/313; D9/758-761; 206/557, 561, 562;  
211/70.7, 126.1; 312/330.1, 348.3, 348.4  
See application file for complete search history.

(56) **References Cited**

**U.S. PATENT DOCUMENTS**

D236,881 S *	9/1975	Mitchell	.....	D9/759
D367,172 S *	2/1996	Brightbill et al.	.....	D3/310
D387,559 S *	12/1997	Williamson	.....	D3/313
D404,231 S *	1/1999	Woodring	.....	D6/510
D439,085 S *	3/2001	Quinn	.....	D6/510
D455,921 S *	4/2002	Quinn	.....	D6/510
D504,325 S *	4/2005	Vovan	.....	D9/761
D530,516 S	10/2006	Snell		

D530,918 S	10/2006	Snell	
D530,919 S	10/2006	Snell	
D530,920 S	10/2006	Snell	
D530,921 S	10/2006	Snell	
D537,633 S *	3/2007	Marnell, II	..... D3/313

\* cited by examiner

*Primary Examiner*—Mimosa De

(74) *Attorney, Agent, or Firm*—D. Peter Hochberg; Sean Mellino

(57) **CLAIM**

The ornamental design for a drawer organizer, as shown and described.

**DESCRIPTION**

FIG. 1 is a perspective view of the drawer organizer according to the invention;

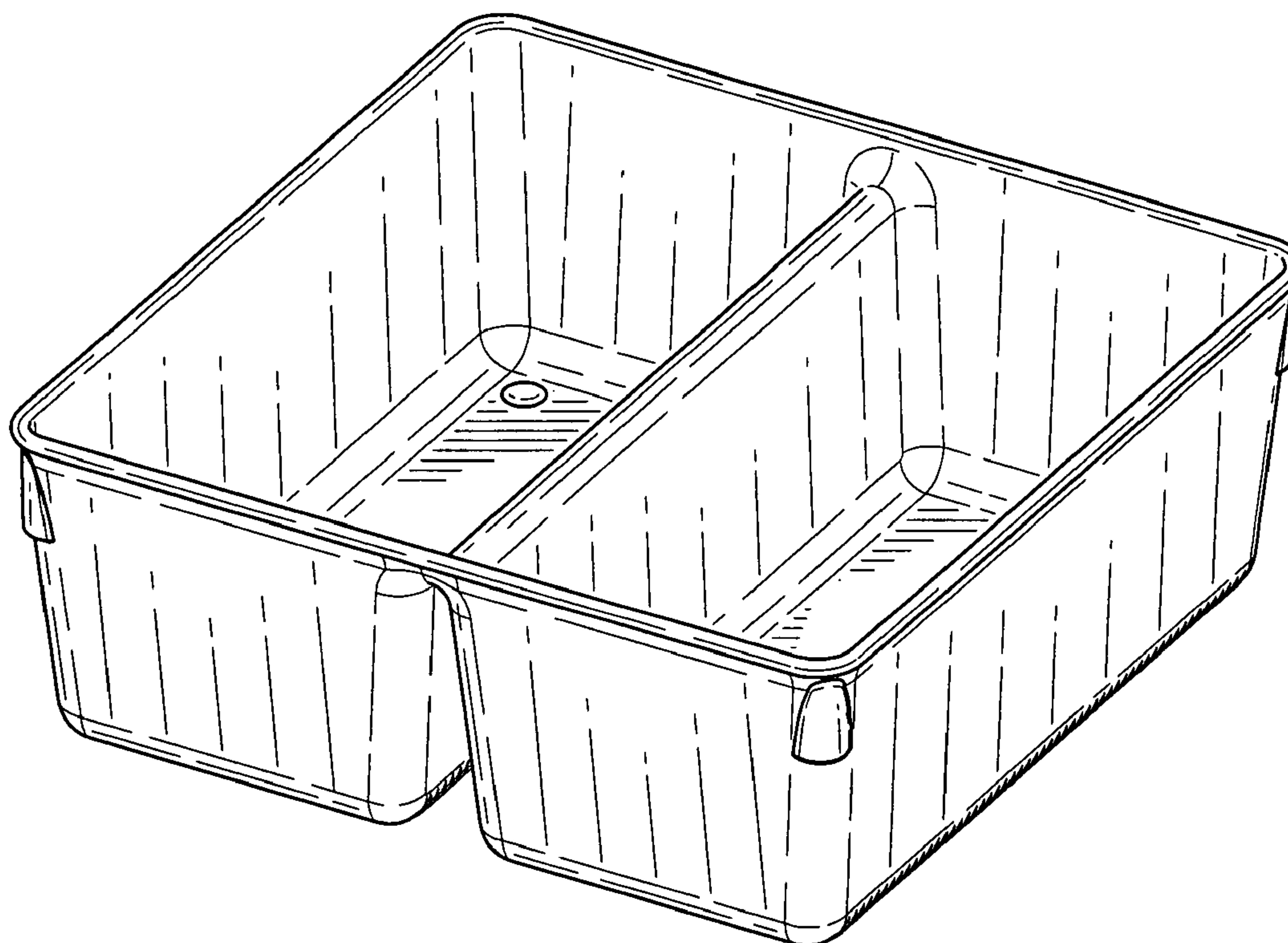
FIG. 2 is a top view of the drawer organizer as shown in FIG. 1;

FIG. 3 is a bottom view of the drawer organizer as shown in FIG. 1;

FIG. 4 is a front view of the drawer organizer as shown in FIG. 1; and,

FIG. 5 is a side view of the drawer organizer as shown in FIG. 1.

**1 Claim, 3 Drawing Sheets**



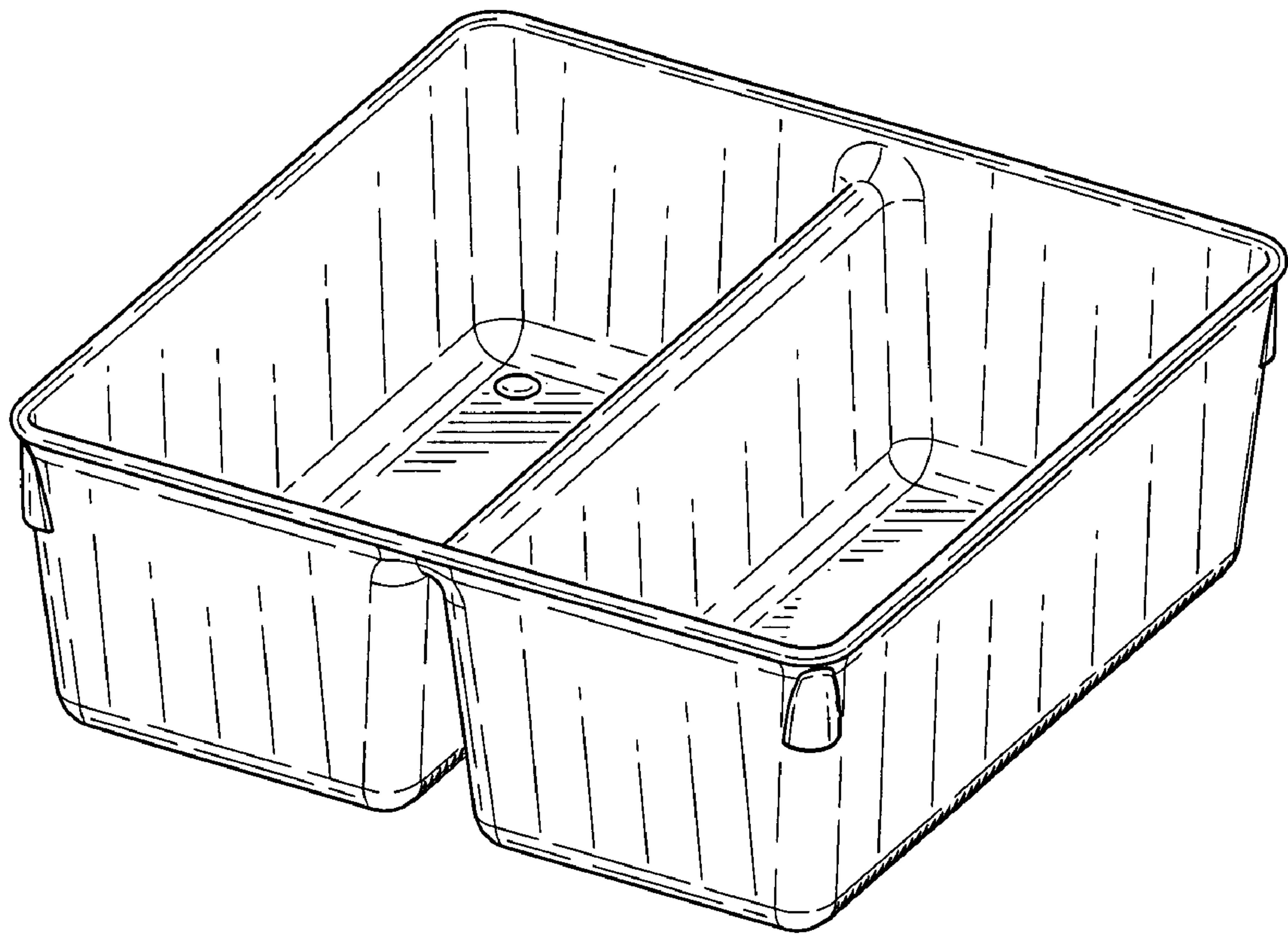


FIG-1

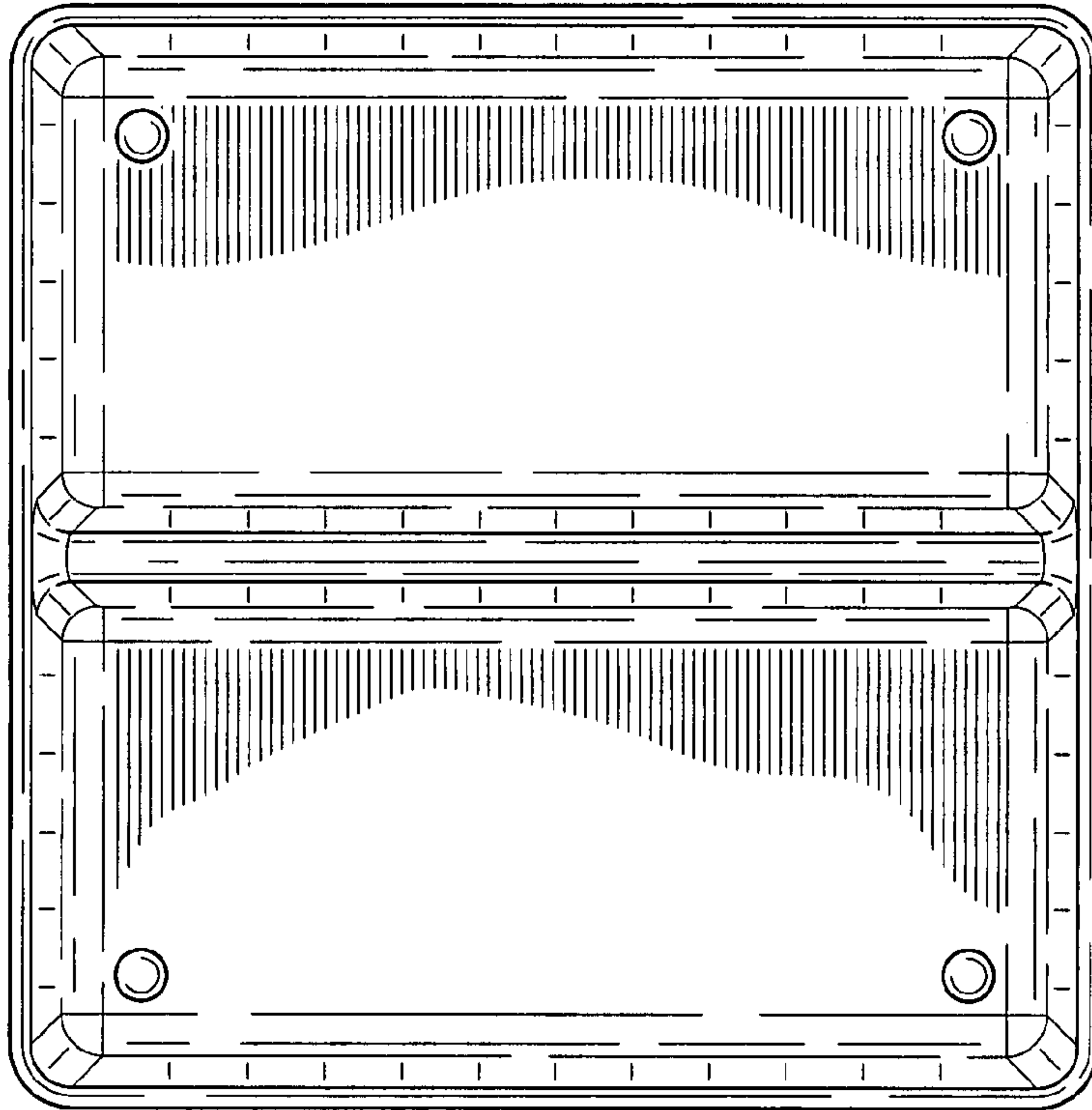


FIG-2

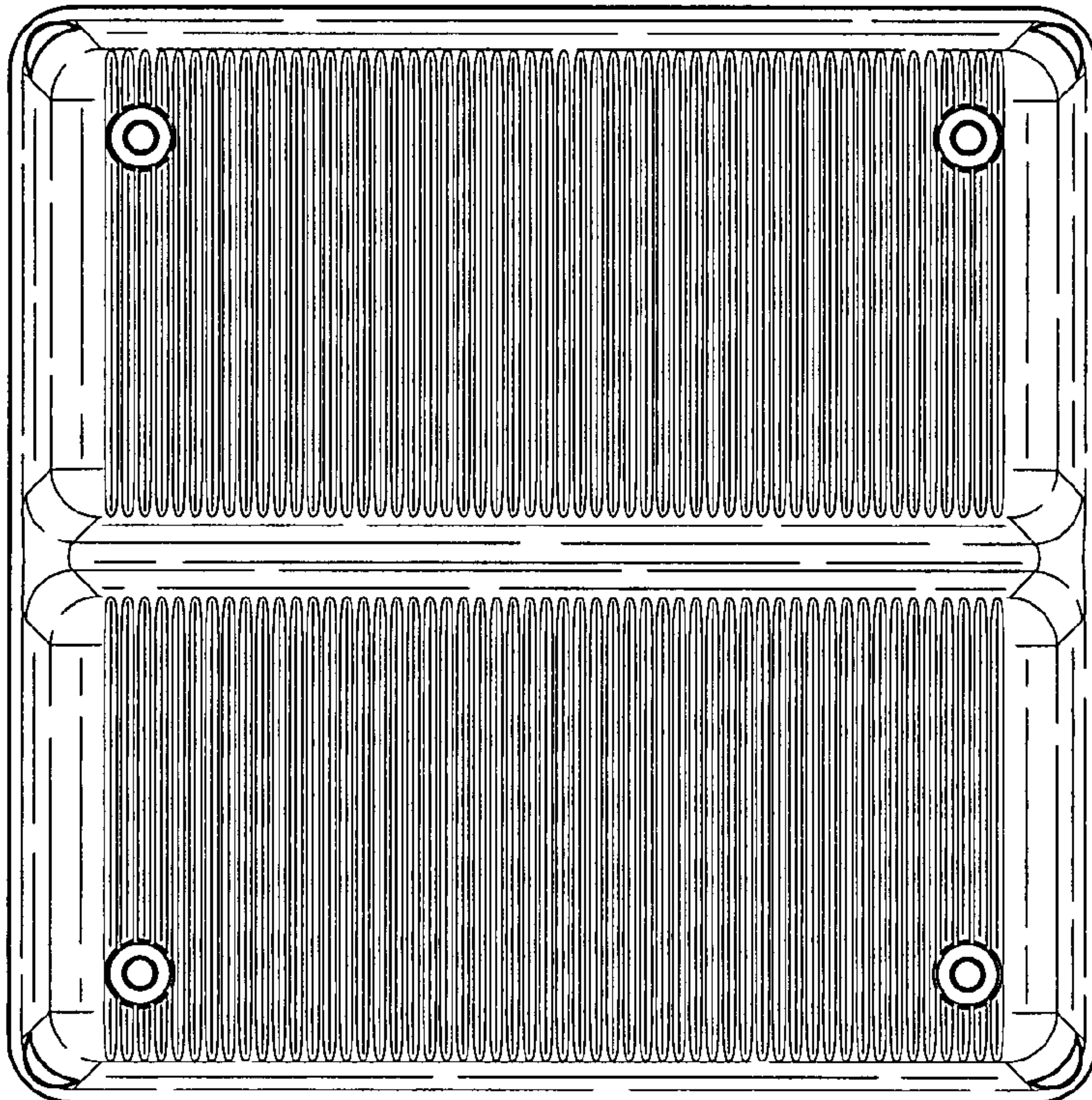


FIG-3

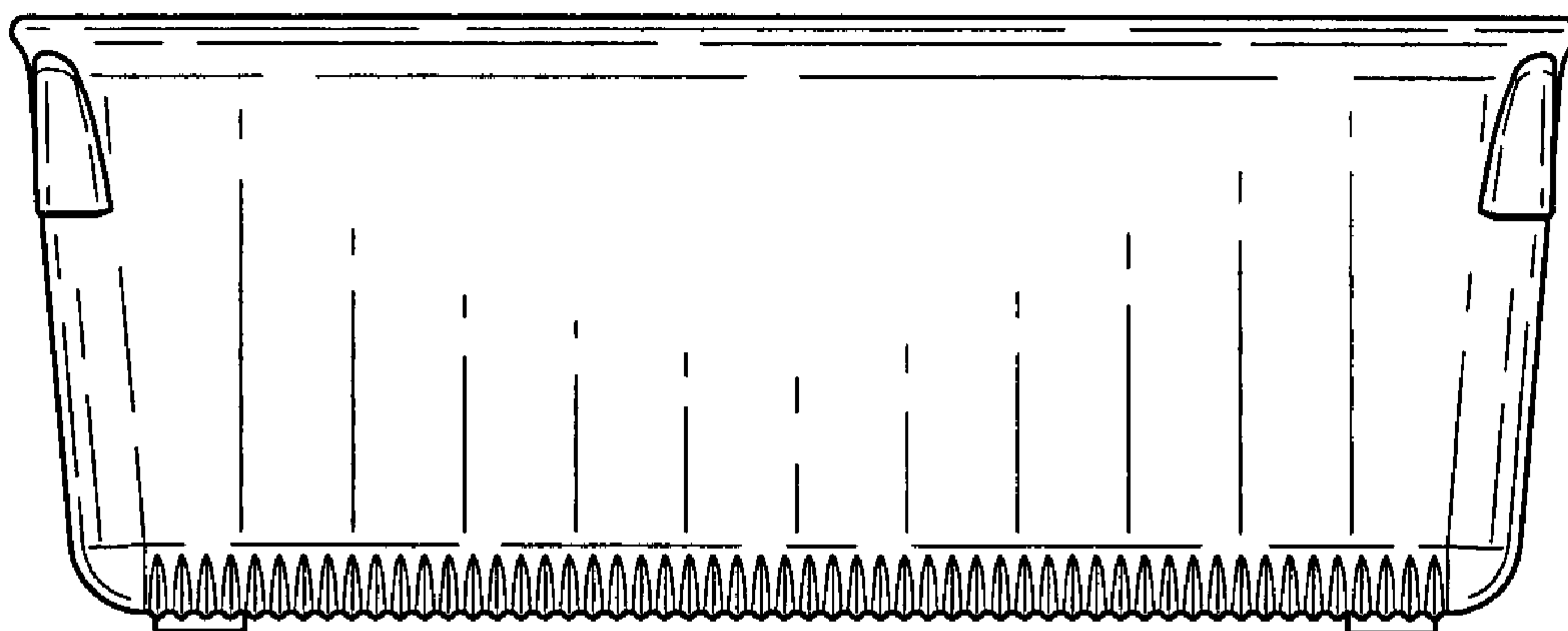


FIG-4

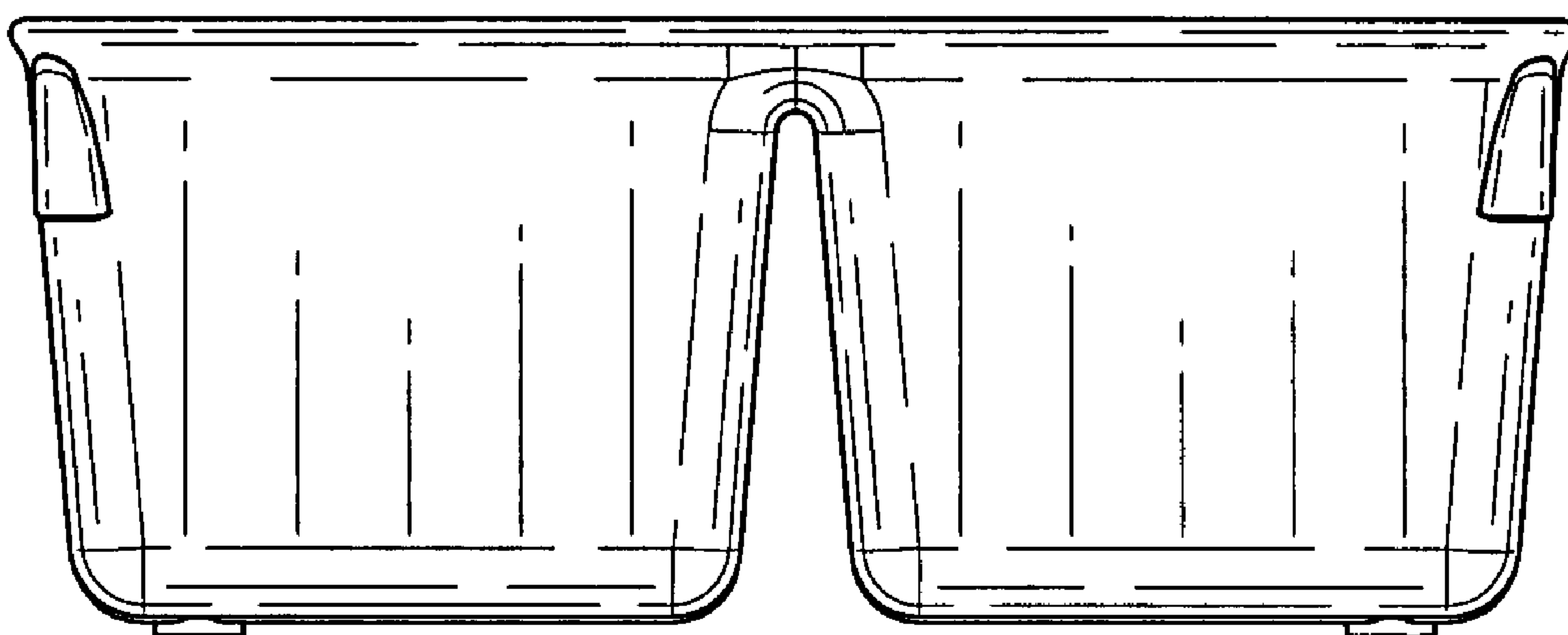


FIG-5