



US00D557044S

(12) **United States Design Patent**
Lee

(10) **Patent No.:** **US D557,044 S**
(45) **Date of Patent:** **** Dec. 11, 2007**

(54) **FRAME OF CHAIR**

(76) Inventor: **Shaw-Ming Lee**, 12F-1, No. 7, Fu Hsiang St., Hsitun, Taichung (TW)

(**) Term: **14 Years**

(21) Appl. No.: **29/238,179**

(22) Filed: **Sep. 12, 2005**

(51) **LOC (8) Cl.** **06-06**

(52) **U.S. Cl.** **D6/500**

(58) **Field of Classification Search** D6/334-336,
D6/368, 370-373, 376, 379, 380, 499, 500-502;
297/16.1, 452.18, 452.19, 452.2, 446.1
See application file for complete search history.

(56) **References Cited**

U.S. PATENT DOCUMENTS

4,514,009	A *	4/1985	Vanderminde et al. ...	297/16.1
D332,010	S *	12/1992	Powers	D6/336
D346,280	S *	4/1994	Metter	D6/368
D375,847	S *	11/1996	Tello	D6/373
D515,327	S *	2/2006	Mohundro	D6/379
D525,798	S *	8/2006	Lowsky	D6/370

* cited by examiner

Primary Examiner—Mimosa De

(74) *Attorney, Agent, or Firm*—Alan Kamrath; Kamrath & Associates PA

(57) **CLAIM**

The ornamental design for a frame of chair, as shown and described.

DESCRIPTION

FIG. 1 is a perspective view of a frame of chair showing my design;

FIG. 2 is a front elevational view thereof;

FIG. 3 is a rear elevational view thereof;

FIG. 4 is a left side elevational view thereof;

FIG. 5 is a right side elevational view thereof;

FIG. 6 is a top plan view thereof;

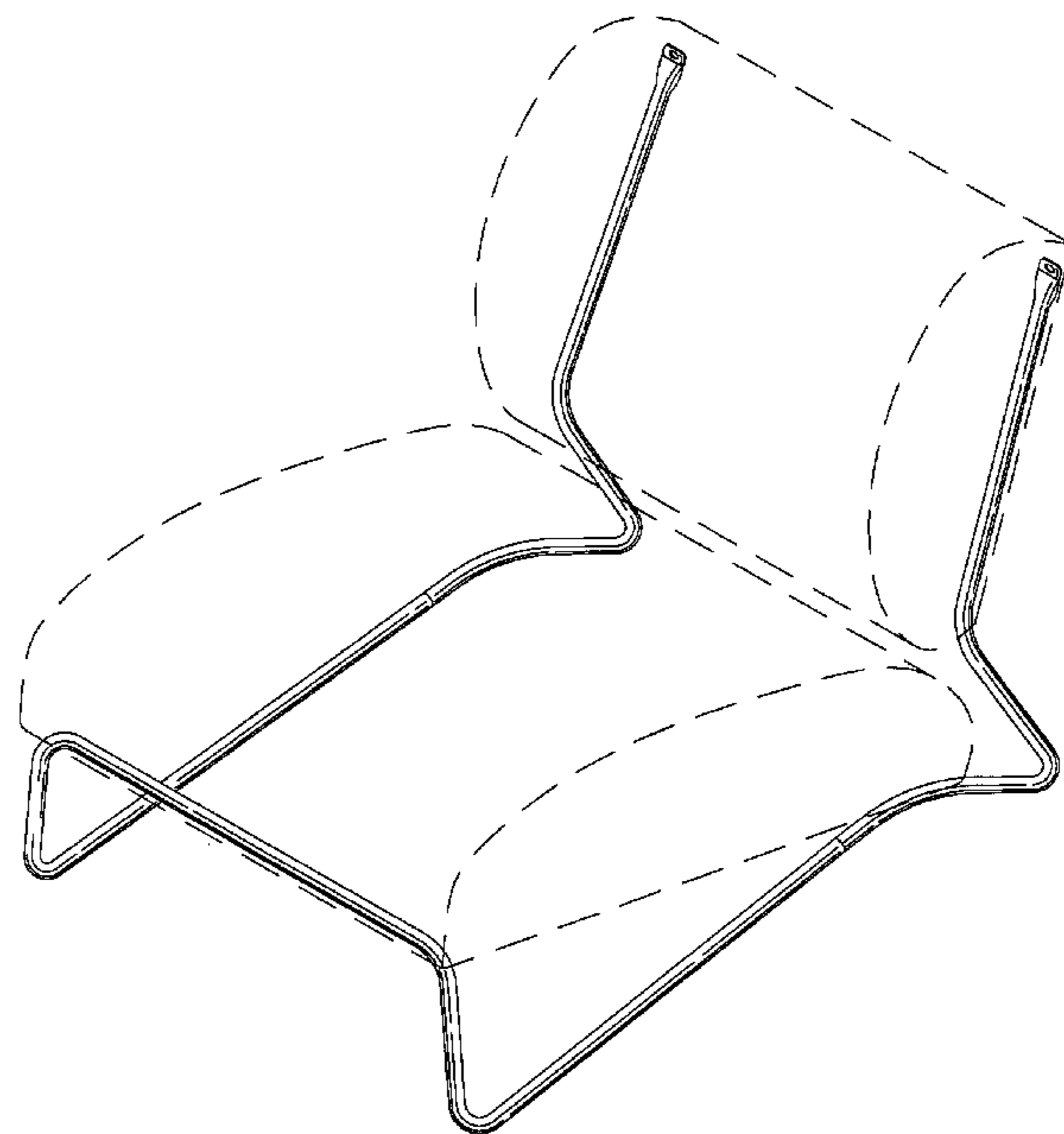
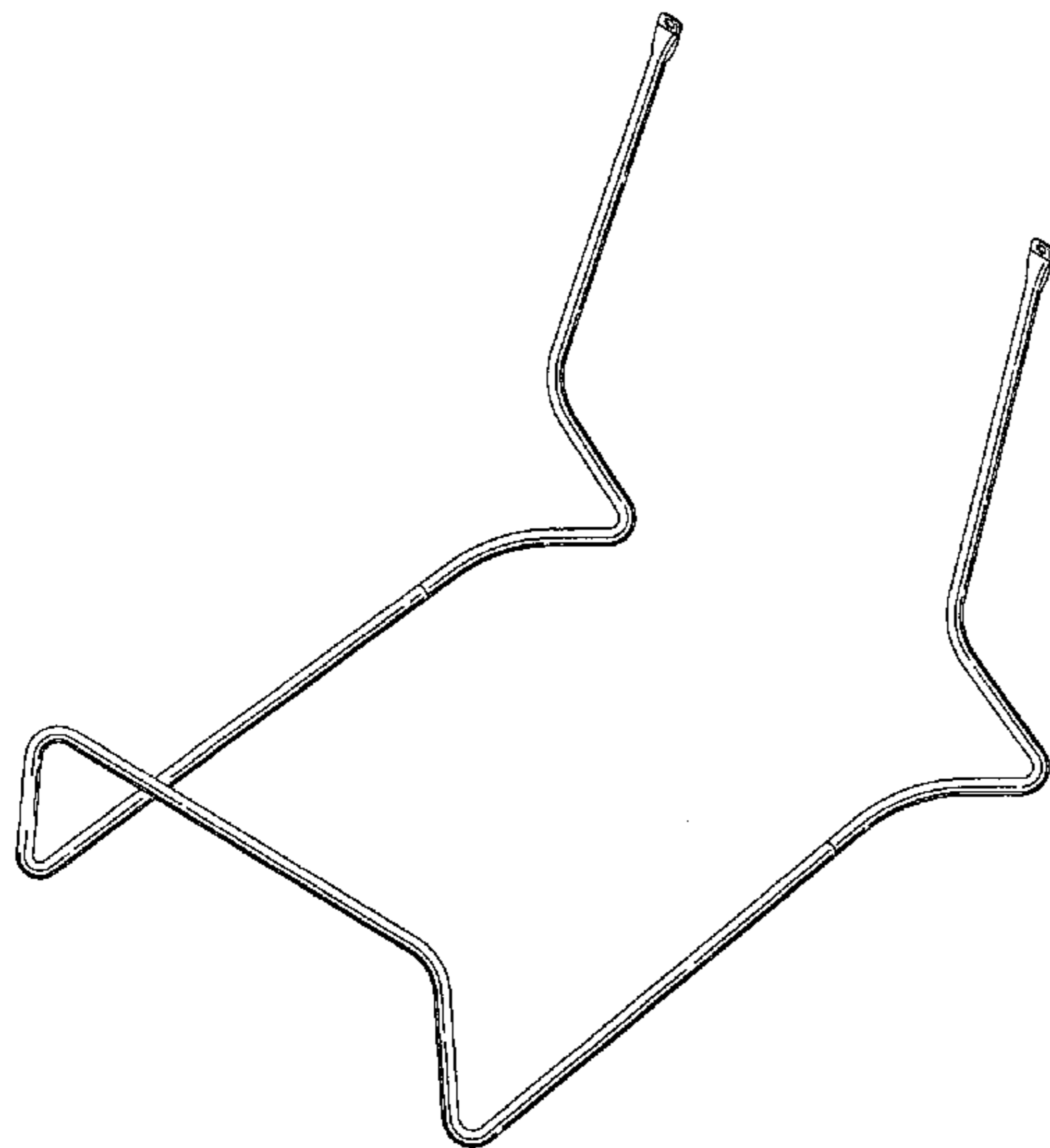
FIG. 7 is a bottom plan view thereof;

FIG. 8 is a perspective view thereof, shown with cushions; and,

FIG. 9 is another perspective view thereof, shown with different cushions.

The broken lines showing of cushions in FIGS. 8 and 9 are for illustrative purposes only and form no part of the claimed design.

1 Claim, 6 Drawing Sheets



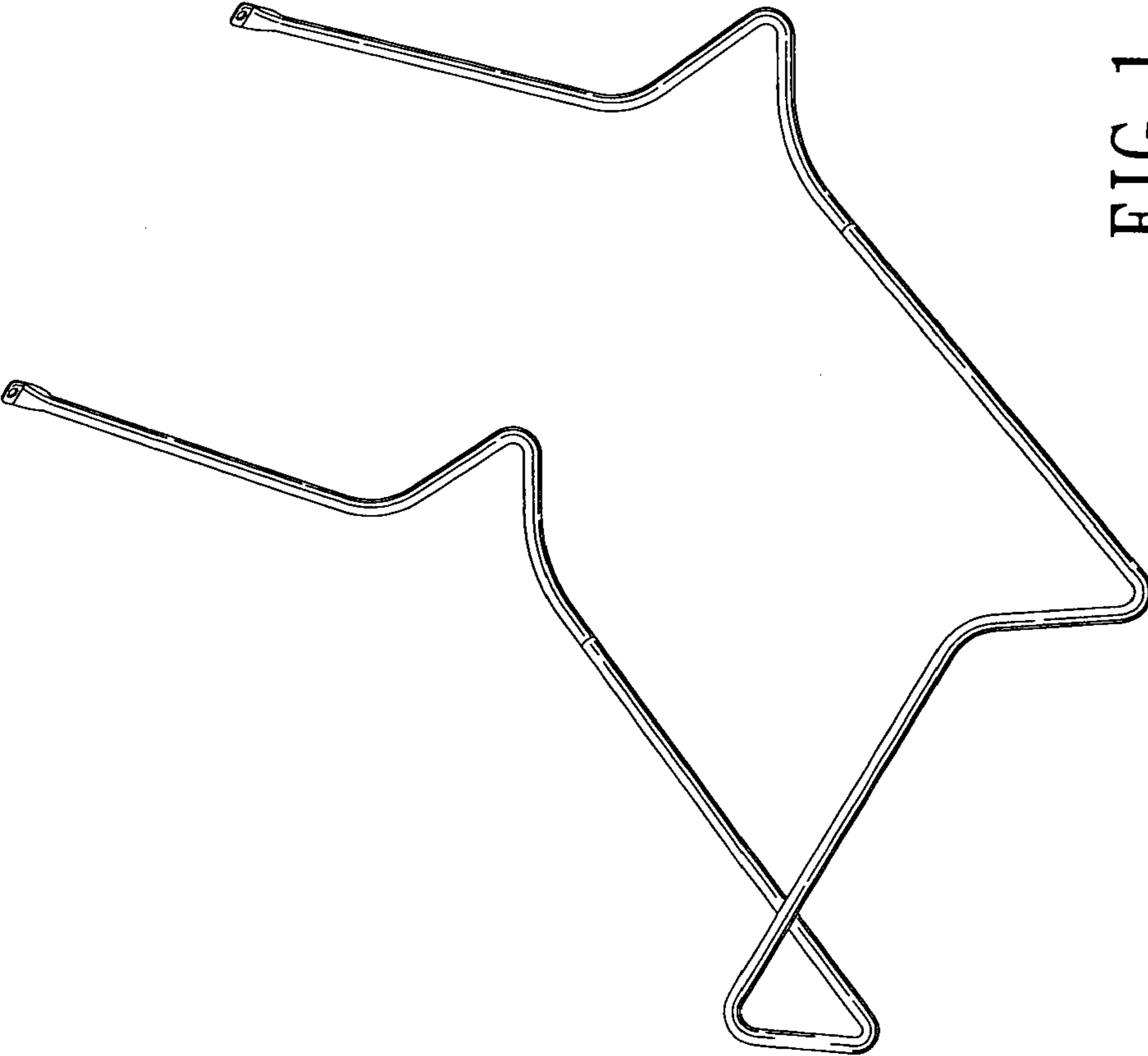


FIG. 1

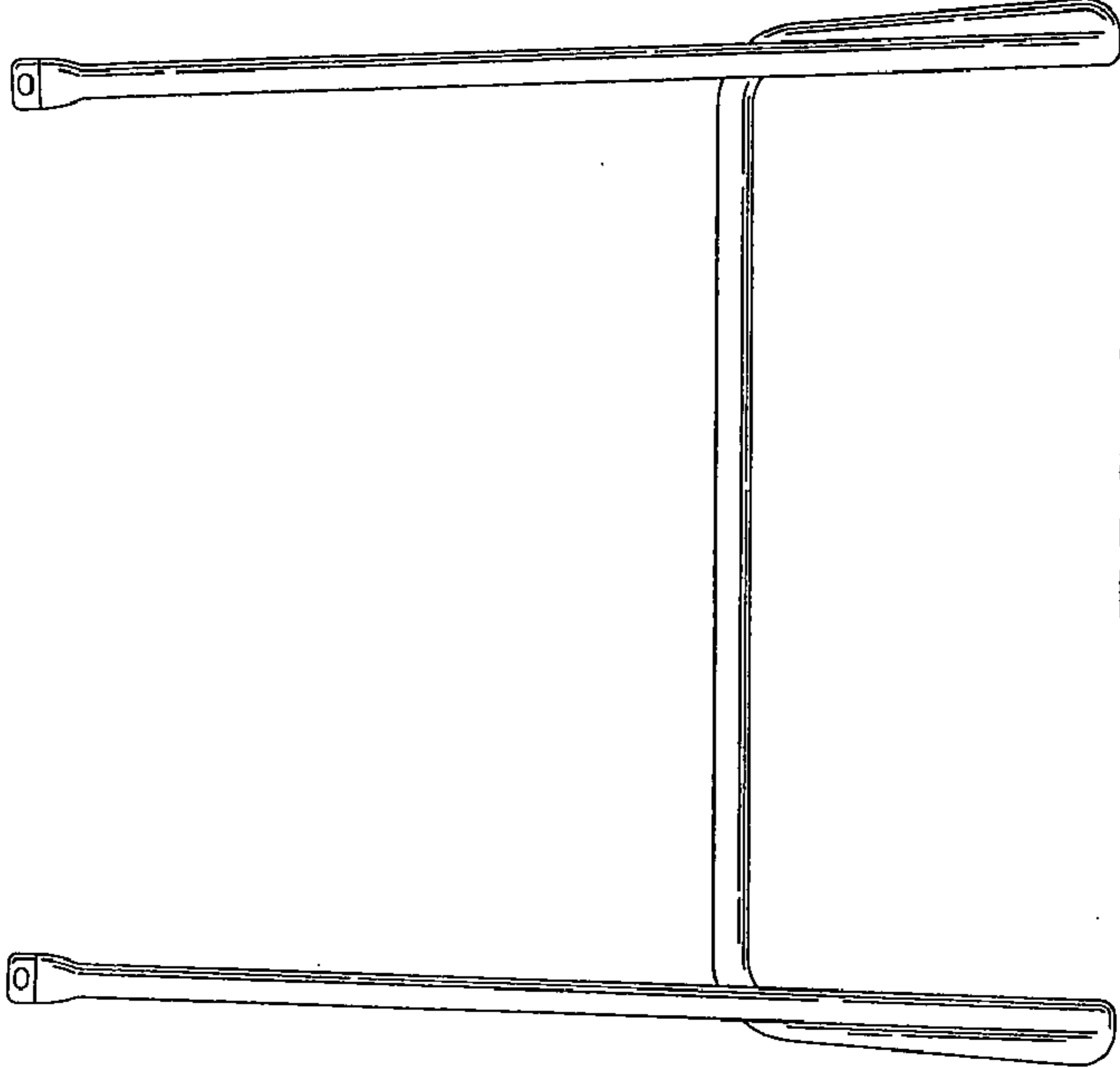


FIG. 3

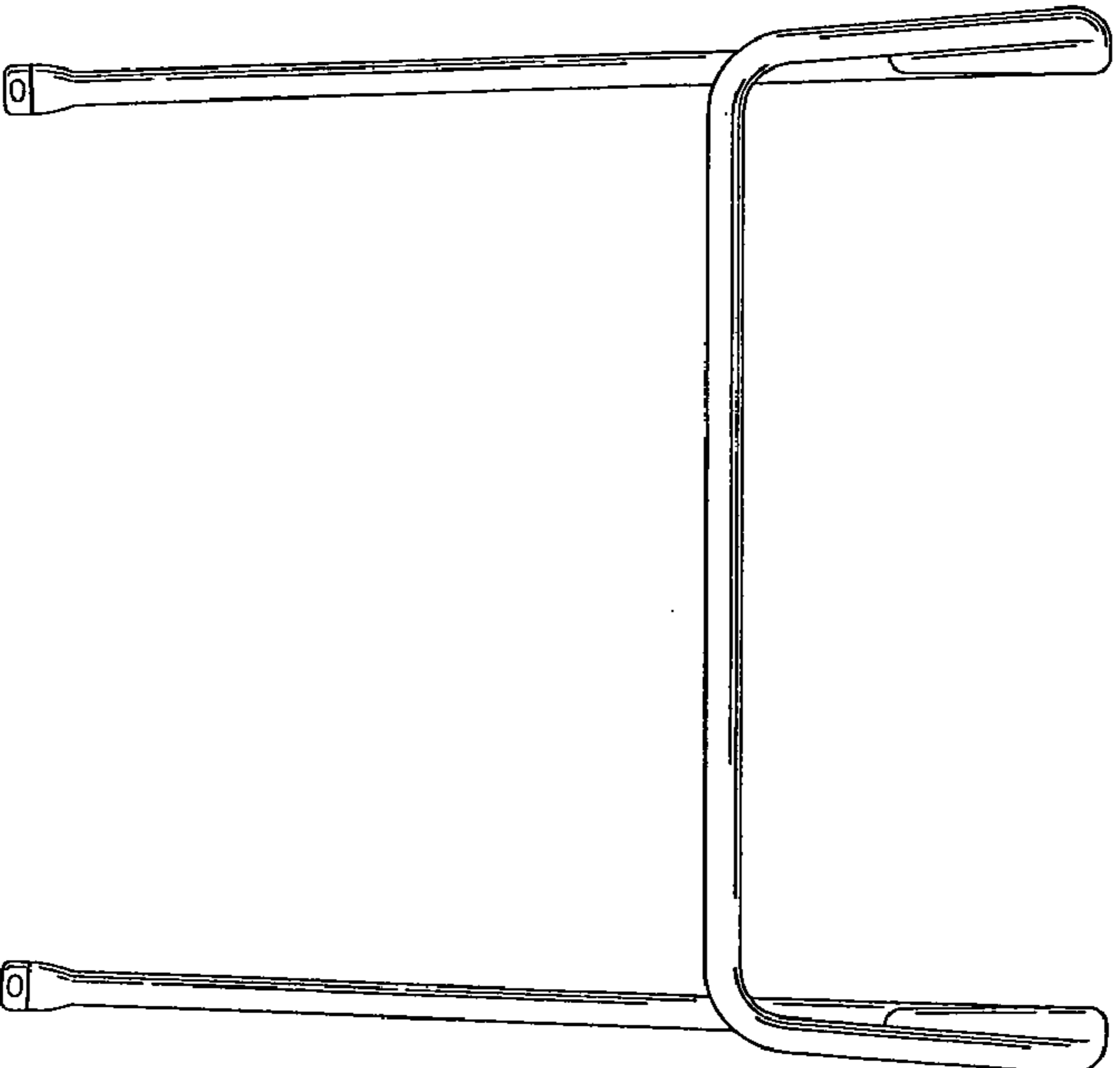


FIG. 2

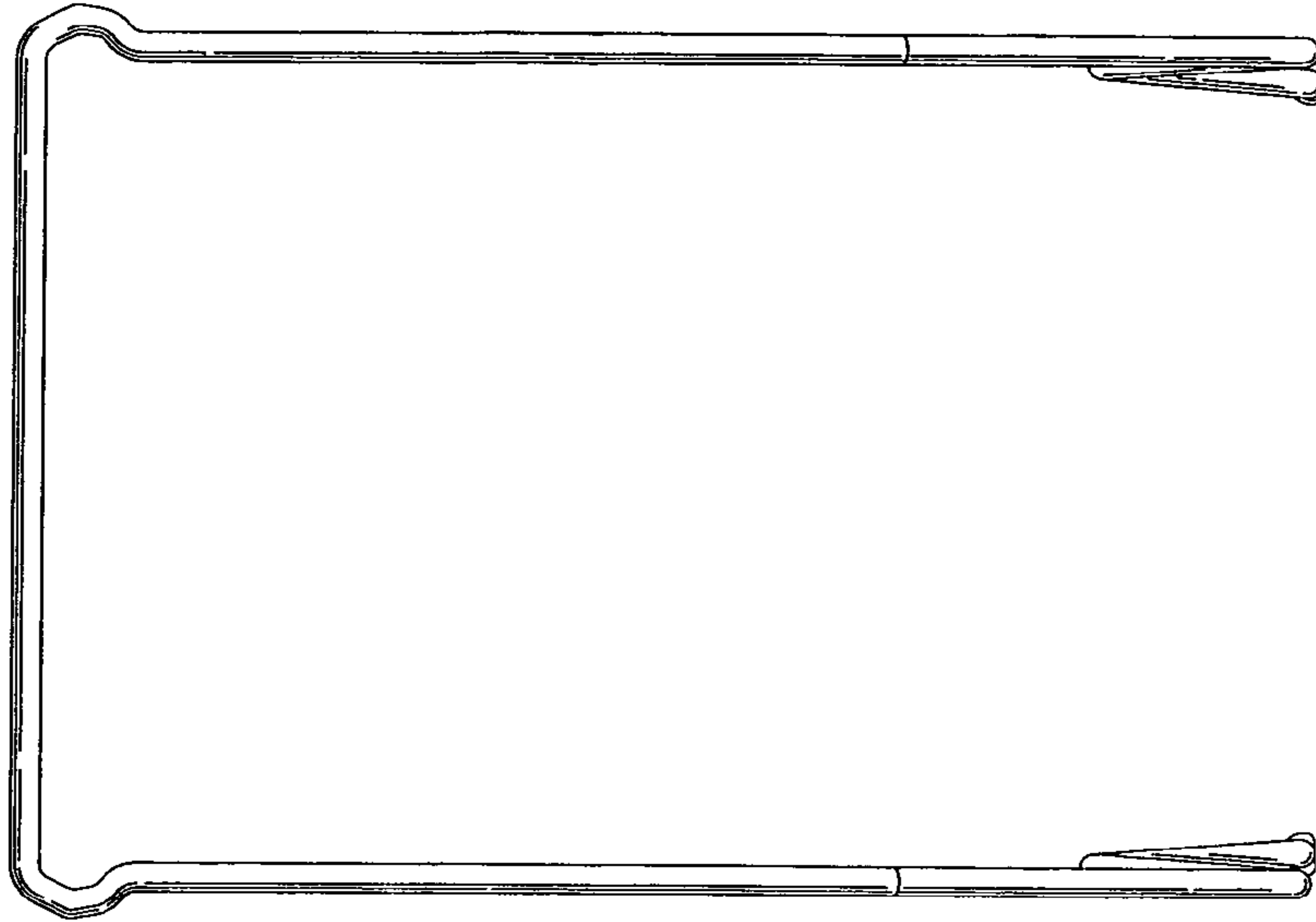


FIG. 7

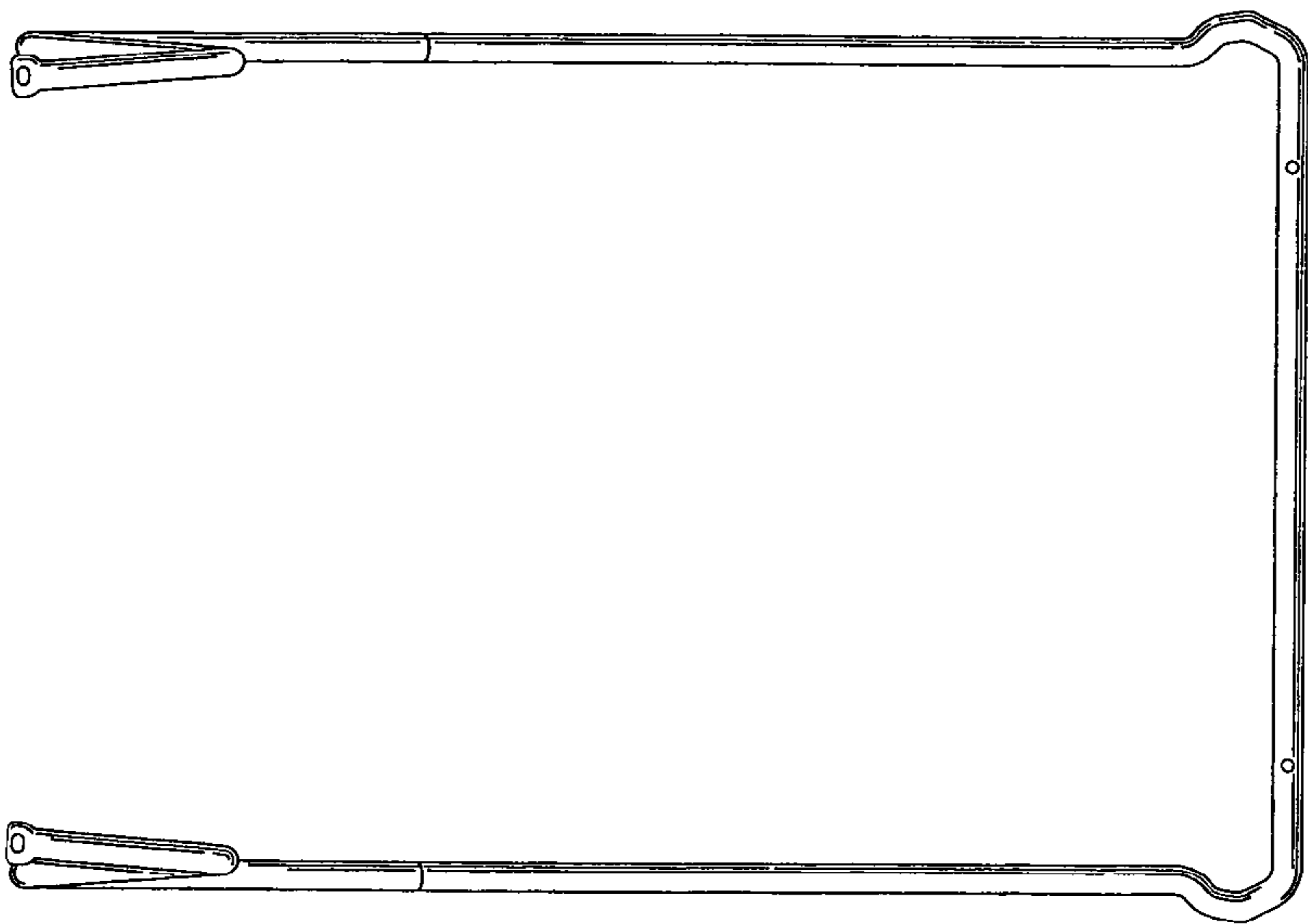


FIG. 6

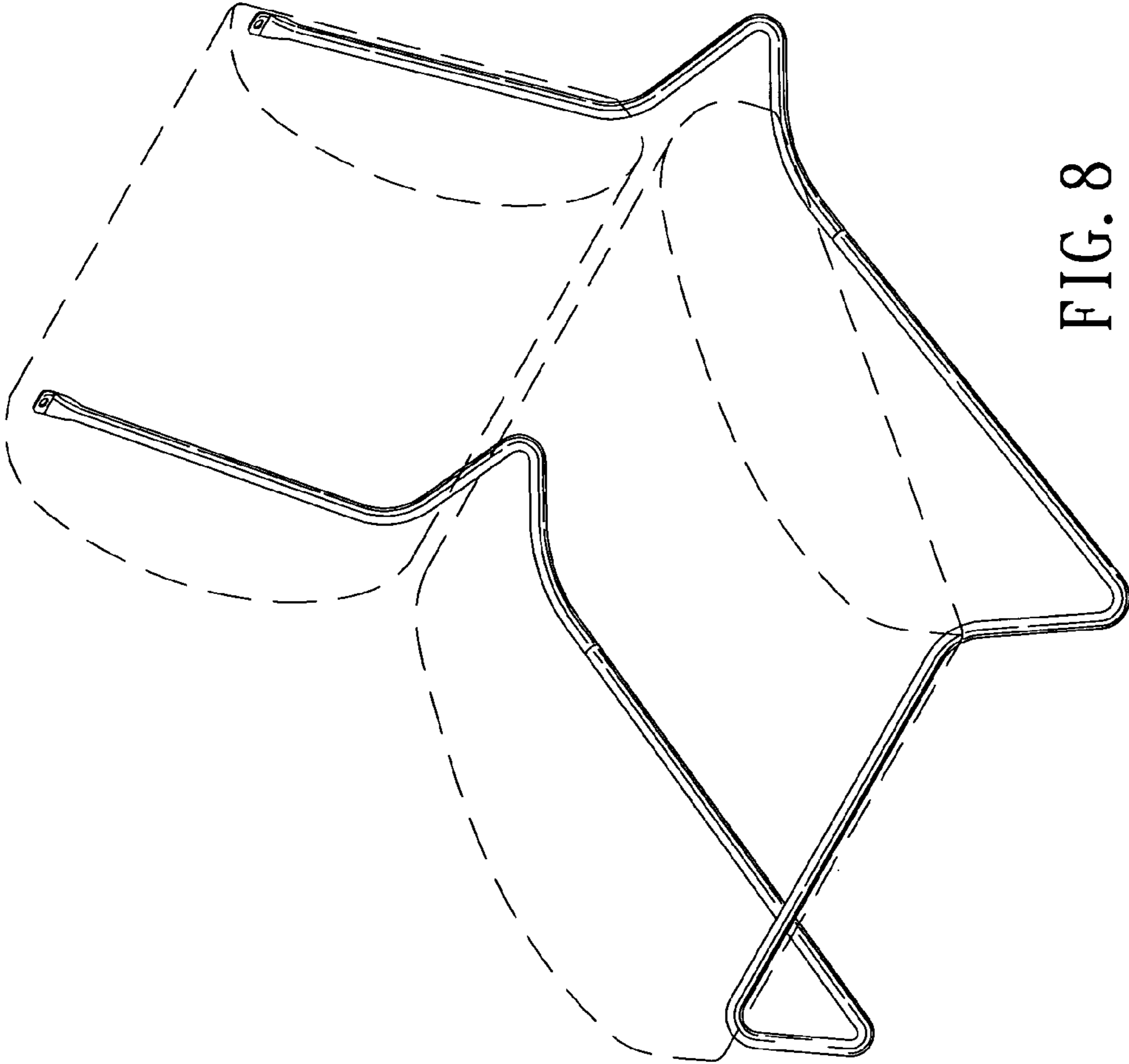


FIG. 8

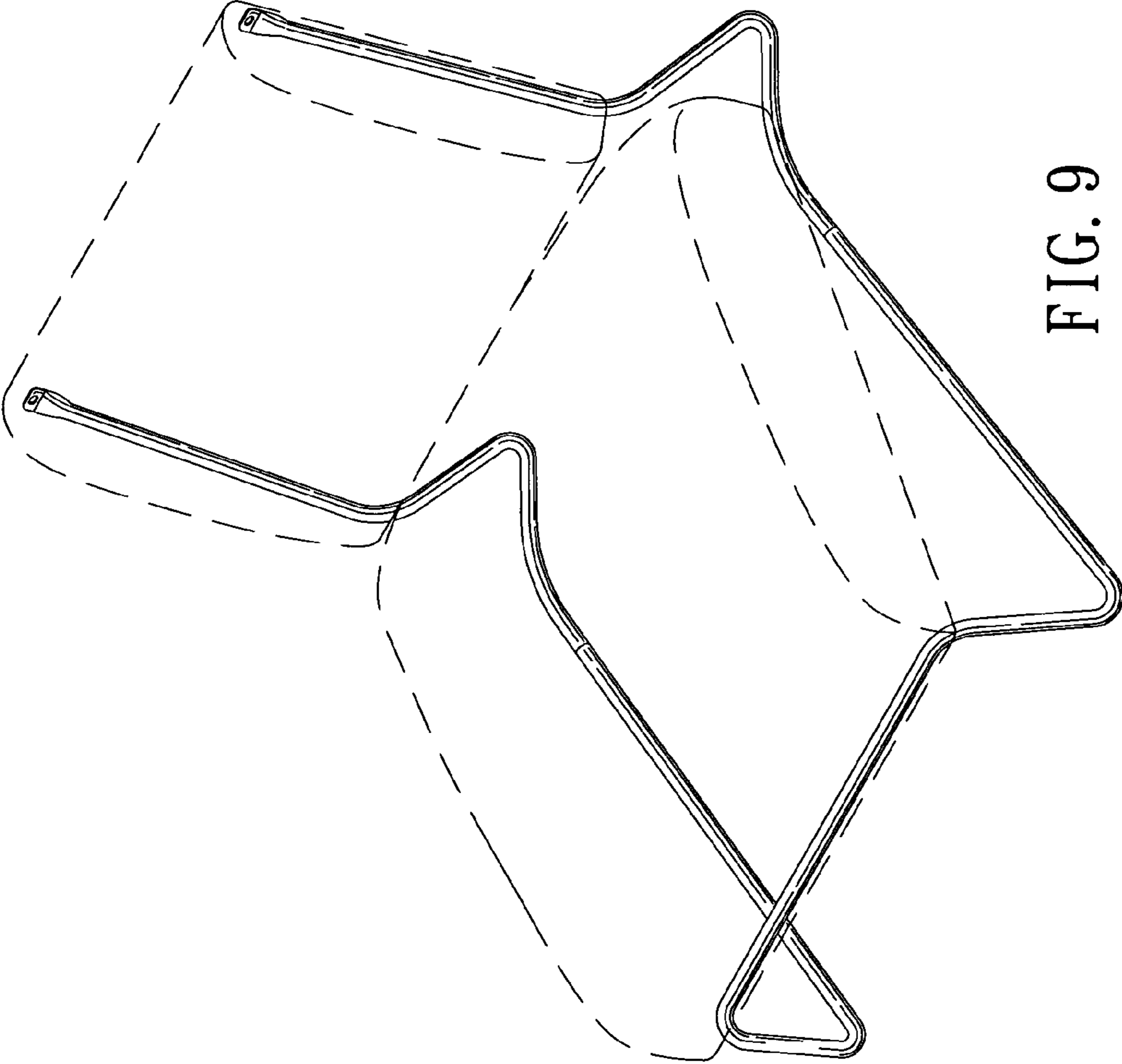


FIG. 9