



US00D557043S

(12) **United States Design Patent** (10) **Patent No.:** **US D557,043 S**
Egger (45) **Date of Patent:** **** Dec. 11, 2007**

(54) **CHAIR BASE**

(75) Inventor: **Julien Egger**, Santa Monica, CA (US)

(73) Assignee: **True Seating Concepts, LLC** (MU)

(**) Term: **14 Years**

(21) Appl. No.: **29/238,734**

(22) Filed: **Sep. 21, 2005**

(51) **LOC (8) Cl.** **06-06**

(52) **U.S. Cl.** **D6/498**

(58) **Field of Classification Search** D6/334-336,
D6/364, 365, 366, 367, 498, 500-502; 248/188.7;
297/344.18, 358, 411.2, 411.28, 463.1
See application file for complete search history.

(56) **References Cited**

U.S. PATENT DOCUMENTS

D266,722 S *	11/1982	Stephens	D6/498
D276,385 S *	11/1984	Stephens	D6/366
D391,089 S *	2/1998	Chu	D6/366
D449,457 S *	10/2001	Su	D6/366
D451,293 S *	12/2001	Su	D6/366
D456,185 S *	4/2002	Su	D6/498
D470,691 S *	2/2003	Chen	D6/498
D471,039 S *	3/2003	Chen	D46/498

D488,630 S *	4/2004	McCann	D6/366
D509,387 S *	9/2005	Chen	D6/498
2005/0258320 A1 *	11/2005	Edwards et al.	248/188.7

* cited by examiner

Primary Examiner—Mimosa De

(74) *Attorney, Agent, or Firm*—Morland C. Fischer

(57) **CLAIM**

The ornamental design for a chair base, as shown and described.

DESCRIPTION

FIG. 1 is a perspective view showing the top, opposite sides and front of a chair base which forms my new design, the broken lines of a chair and chair base parts being for illustrative purposes only and forming no part of my design;

FIG. 2 is a front elevational view thereof;

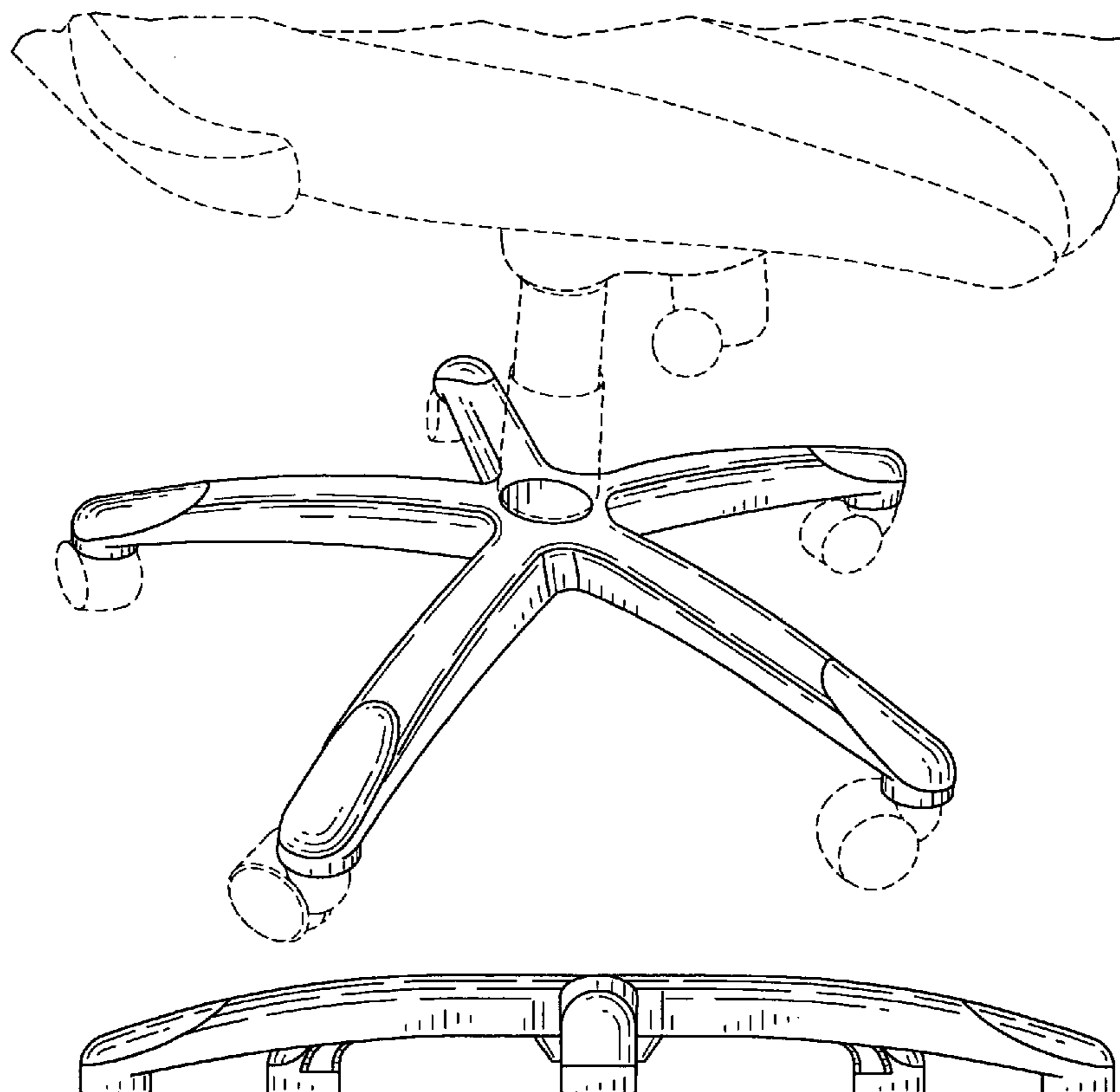
FIG. 3 is a top plan view thereof;

FIG. 4 is a rear elevational view thereof;

FIG. 5 is a left side elevational view thereof, this side and the opposite right side elevational view being mirror images; and,

FIG. 6 is a bottom plan view thereof.

1 Claim, 3 Drawing Sheets



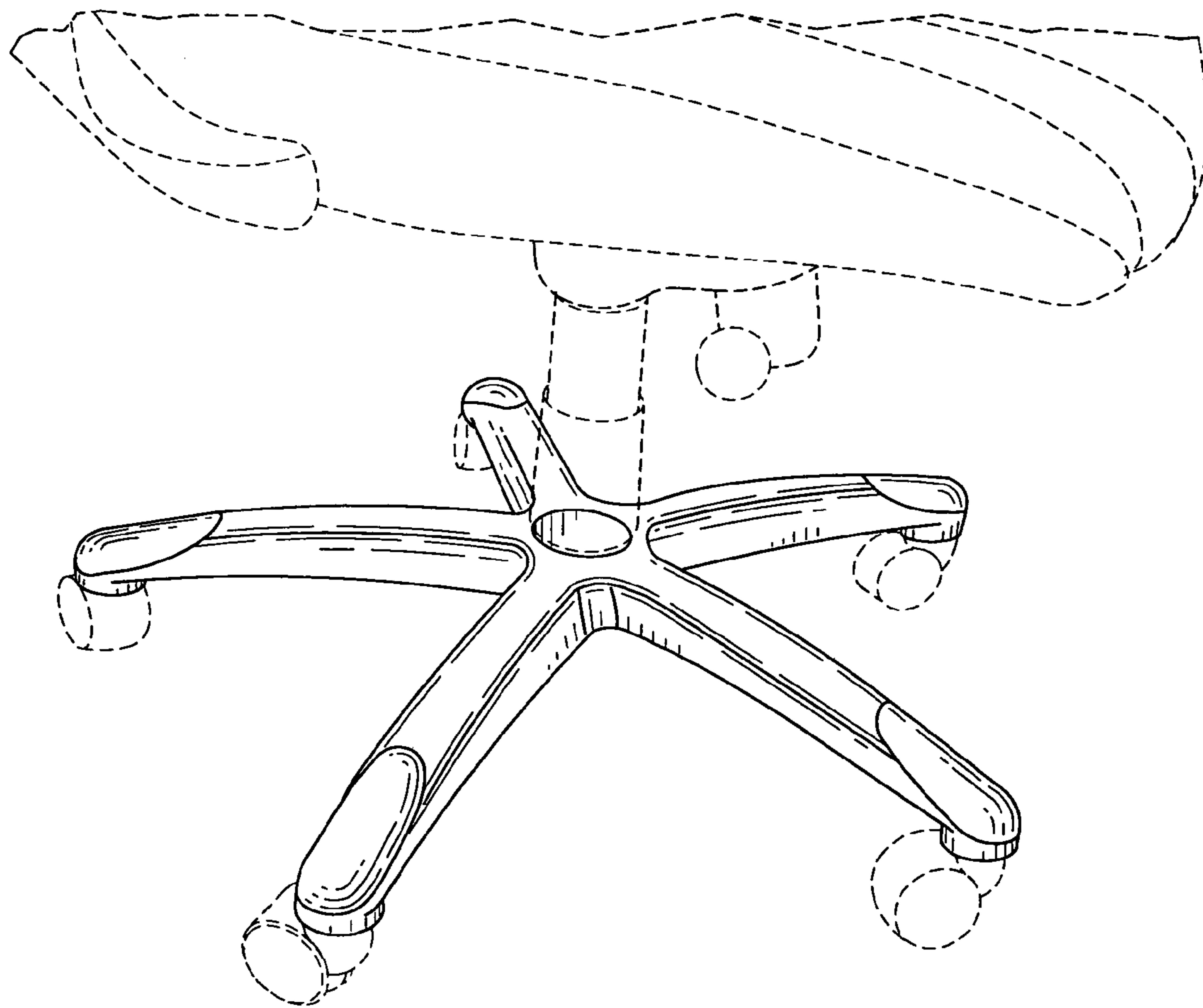


Fig. 1

Fig. 2

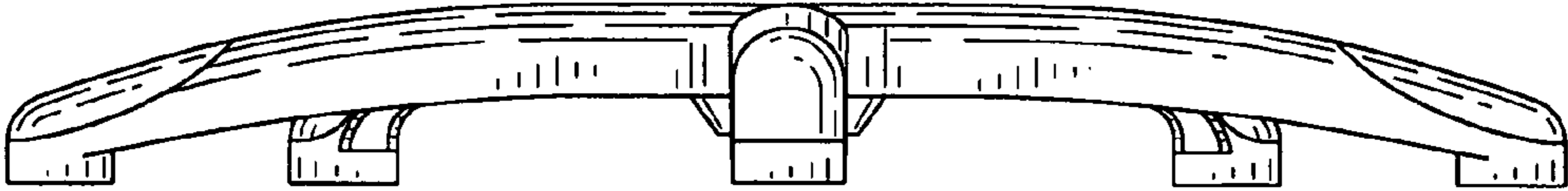


Fig. 3

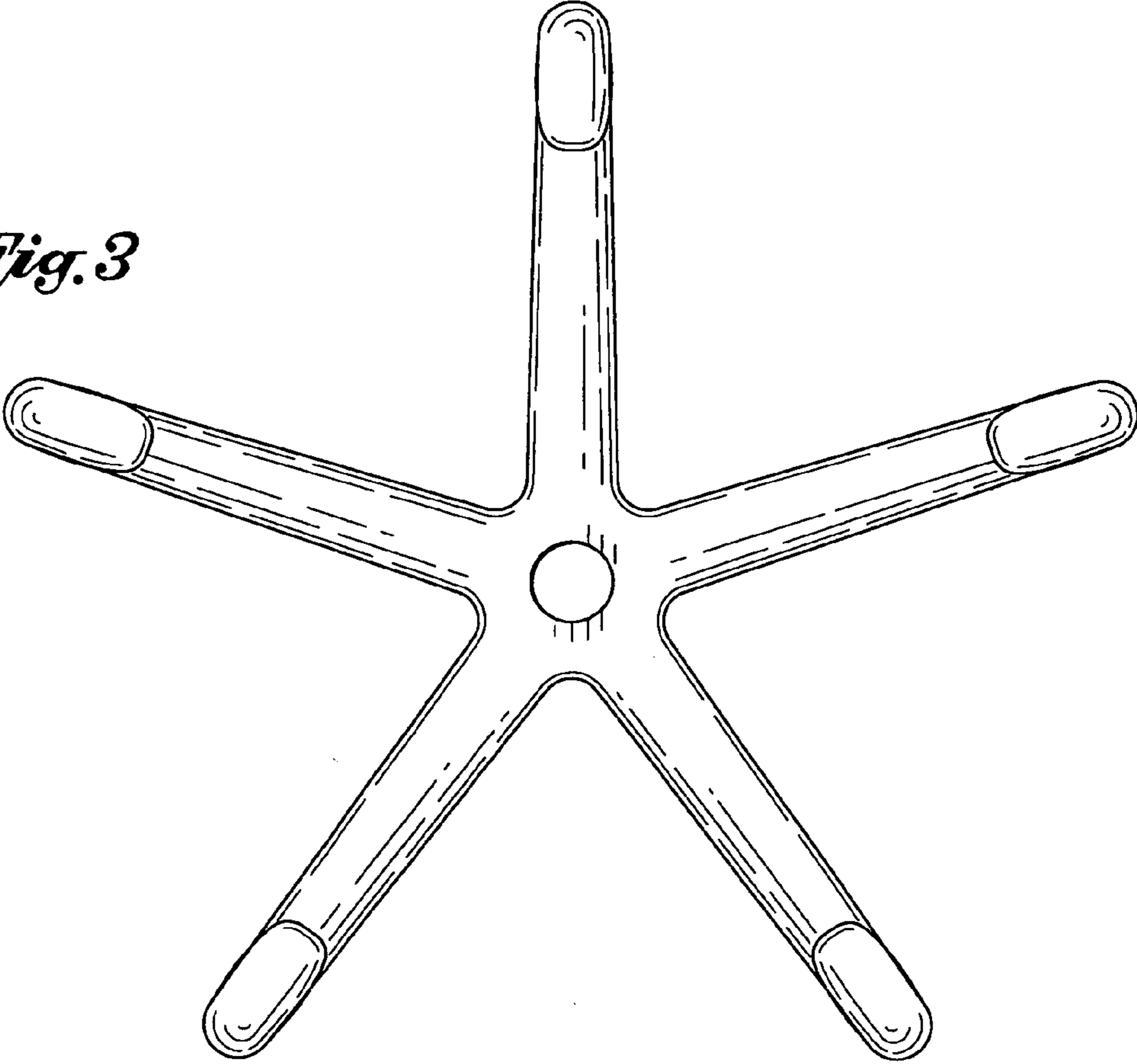


Fig. 4

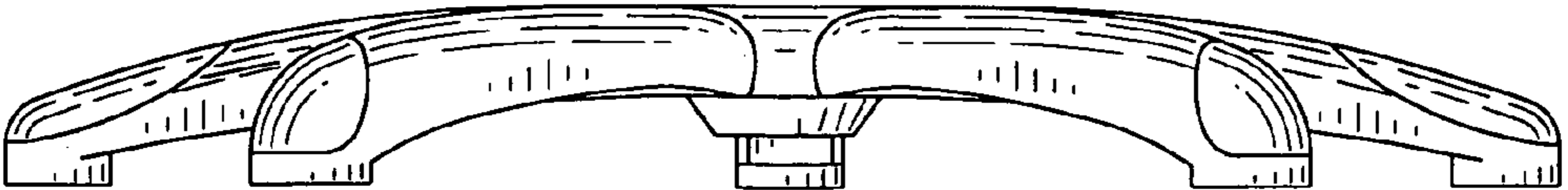


Fig. 5



Fig. 6

