



US00D557037S

(12) **United States Design Patent** (10) **Patent No.:** **US D557,037 S**  
**O'Hare et al.** (45) **Date of Patent:** **\*\* Dec. 11, 2007**

(54) **DRESSER**

(75) Inventors: **Timothy M. O'Hare**, Oak Ridge, NC (US); **Scott M. Risdon**, Greensboro, NC (US)

(73) Assignee: **Thomasville Furniture Industries, Inc.**, Thomasville, NC (US)

(\*\*) Term: **14 Years**

(21) Appl. No.: **29/247,577**

(22) Filed: **Jun. 27, 2006**

(51) **LOC (8) Cl.** ..... **06-04**

(52) **U.S. Cl.** ..... **D6/441**

(58) **Field of Classification Search** ..... D6/432-448,  
D6/470, 477-479, 510-511; 312/204, 224,  
312/237, 278-279, 114

See application file for complete search history.

(56) **References Cited**

**U.S. PATENT DOCUMENTS**

D448,205 S	9/2001	O'Hare et al.	
D452,088 S	* 12/2001	Hokanson	D6/446
D459,615 S	7/2002	Stanton	
D460,636 S	7/2002	Stanton	
D469,627 S	2/2003	Stanton	
D480,896 S	* 10/2003	Paus	D6/446
D488,640 S	* 4/2004	Domack	D6/446
D490,626 S	* 6/2004	Risdon et al.	D6/441
D505,569 S	* 5/2005	Mohundro	D6/446
D507,429 S	7/2005	O'Hare	
D510,207 S	* 10/2005	Katz et al.	D6/446
D518,311 S	* 4/2006	Domack et al.	D6/441

**OTHER PUBLICATIONS**

Dutch Chest, Ebanista, date unknown, available as of Jun. 26, 2006.

Door Chest, American Expressions Collection, Thomasville Furniture Industries, Inc., p. 9, 2001.

Bedside Chest, Villa Soleil Collection, Thomasville Furniture Industries, Inc., p. 8, 2003.

Night Stand, Serafina Collection, Thomasville Furniture Industries, Inc., p. 6, 2000.

\* cited by examiner

*Primary Examiner*—Elizabeth A. Albert

*Assistant Examiner*—Kelley A. Donnelly

(74) *Attorney, Agent, or Firm*—Jack B. Hicks; Womble Carlyle Sandridge & Rice, PLLC

(57) **CLAIM**

The ornamental design for a dresser, as shown and described.

**DESCRIPTION**

FIG. 1 is a left front perspective view of a dresser showing my new design;

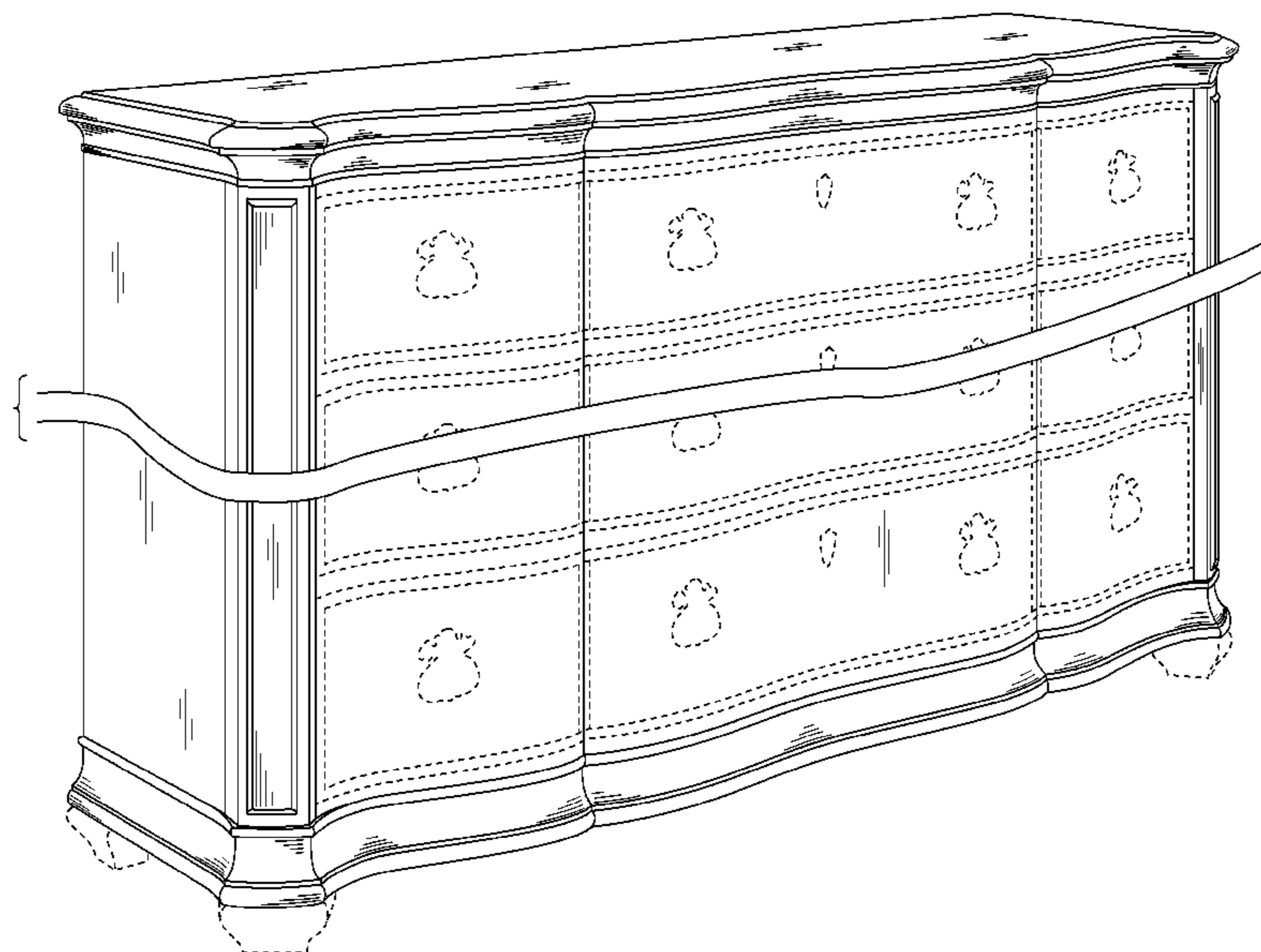
FIG. 2 is a front elevational view thereof;

FIG. 3 is a side elevational view, the opposite side being a mirror image thereof; and,

FIG. 4 is a top view thereof.

The views of the dresser not shown form no part of the claimed design. The separation and bracket indicate, for ease of illustration, that the precise height of the dresser is not claimed. The broken lines depicting drawers, hardware and feet represent environmental elements only and form no part of the claimed design.

**1 Claim, 4 Drawing Sheets**



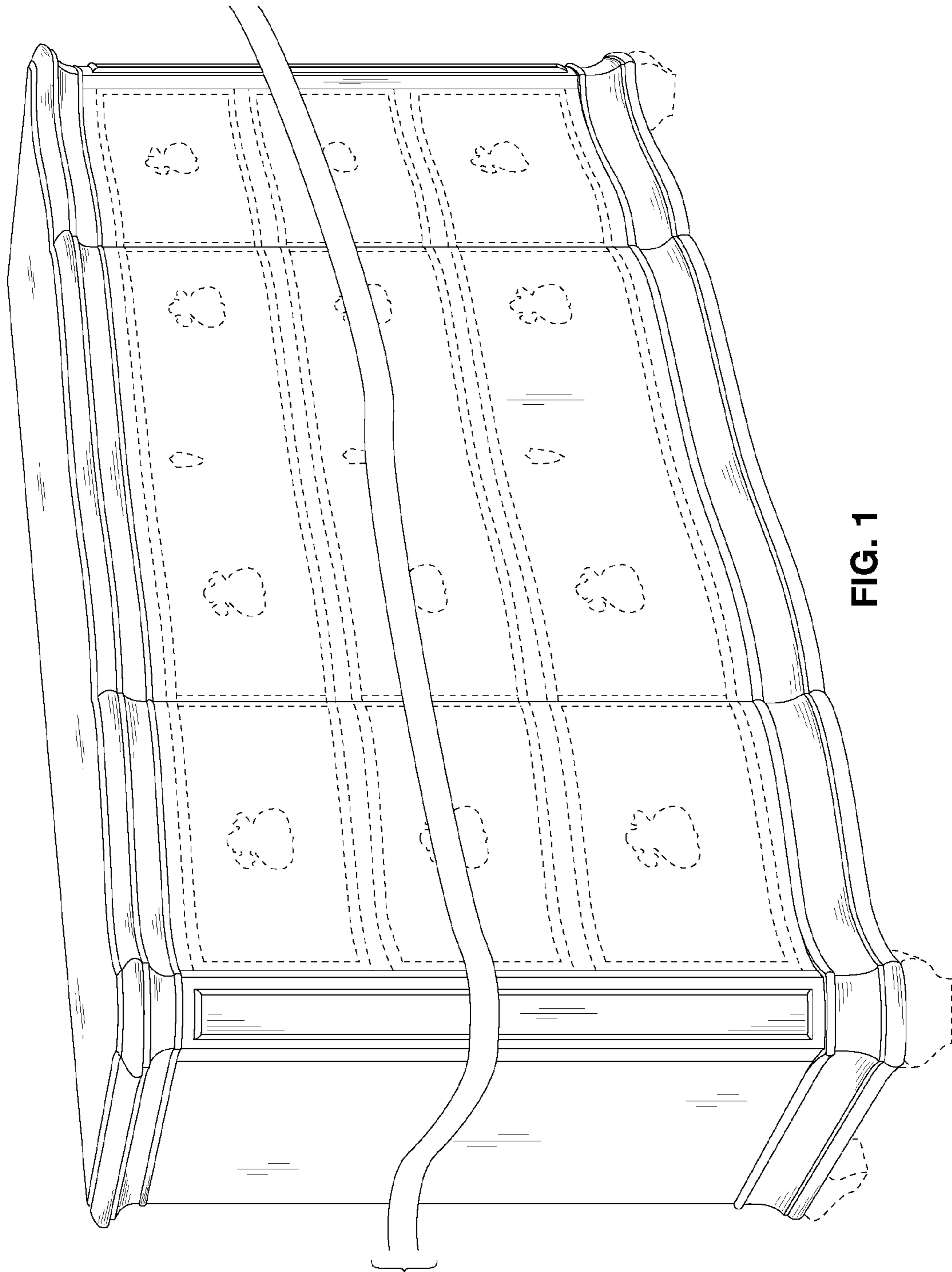


FIG. 1

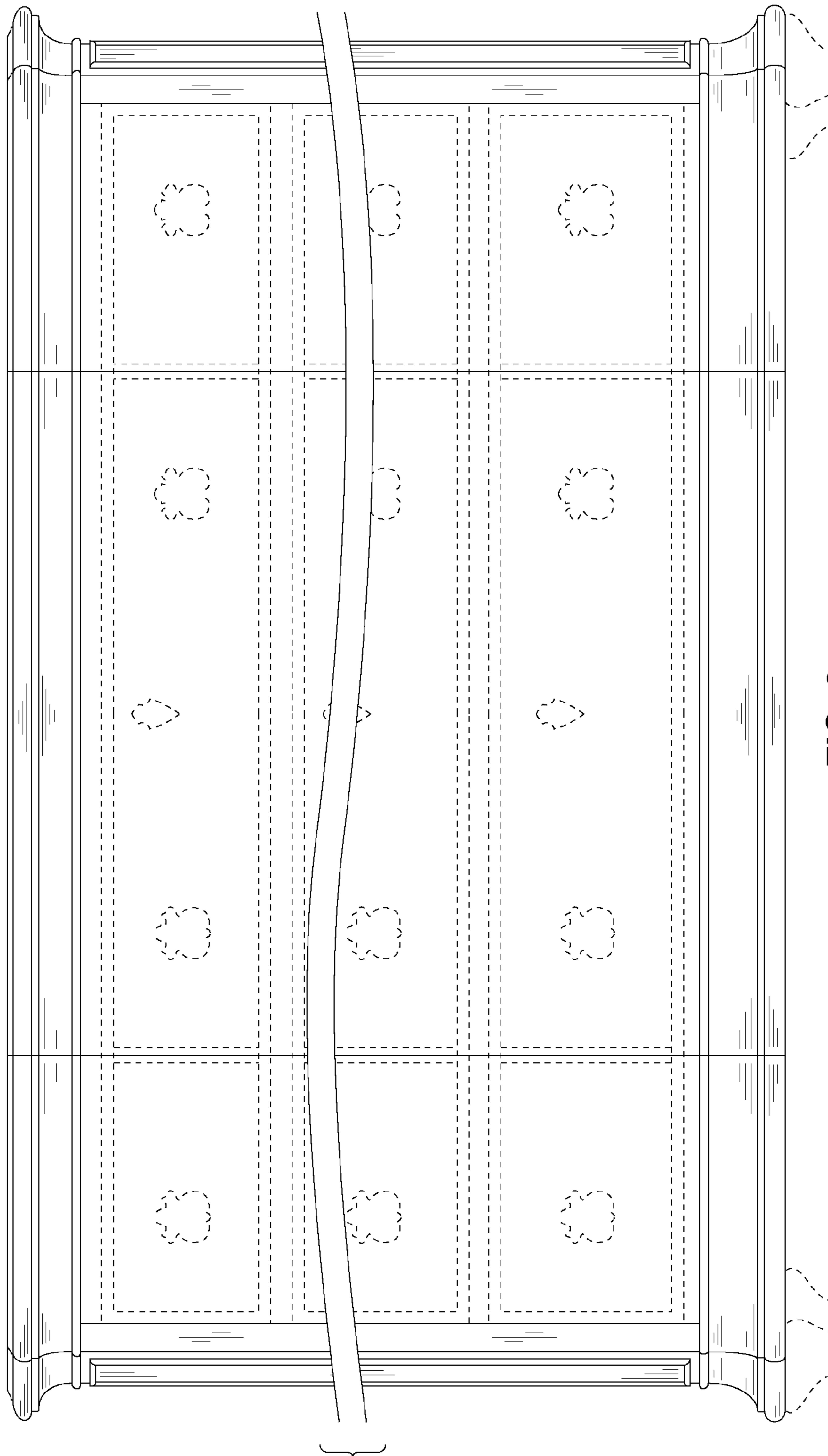


FIG. 2

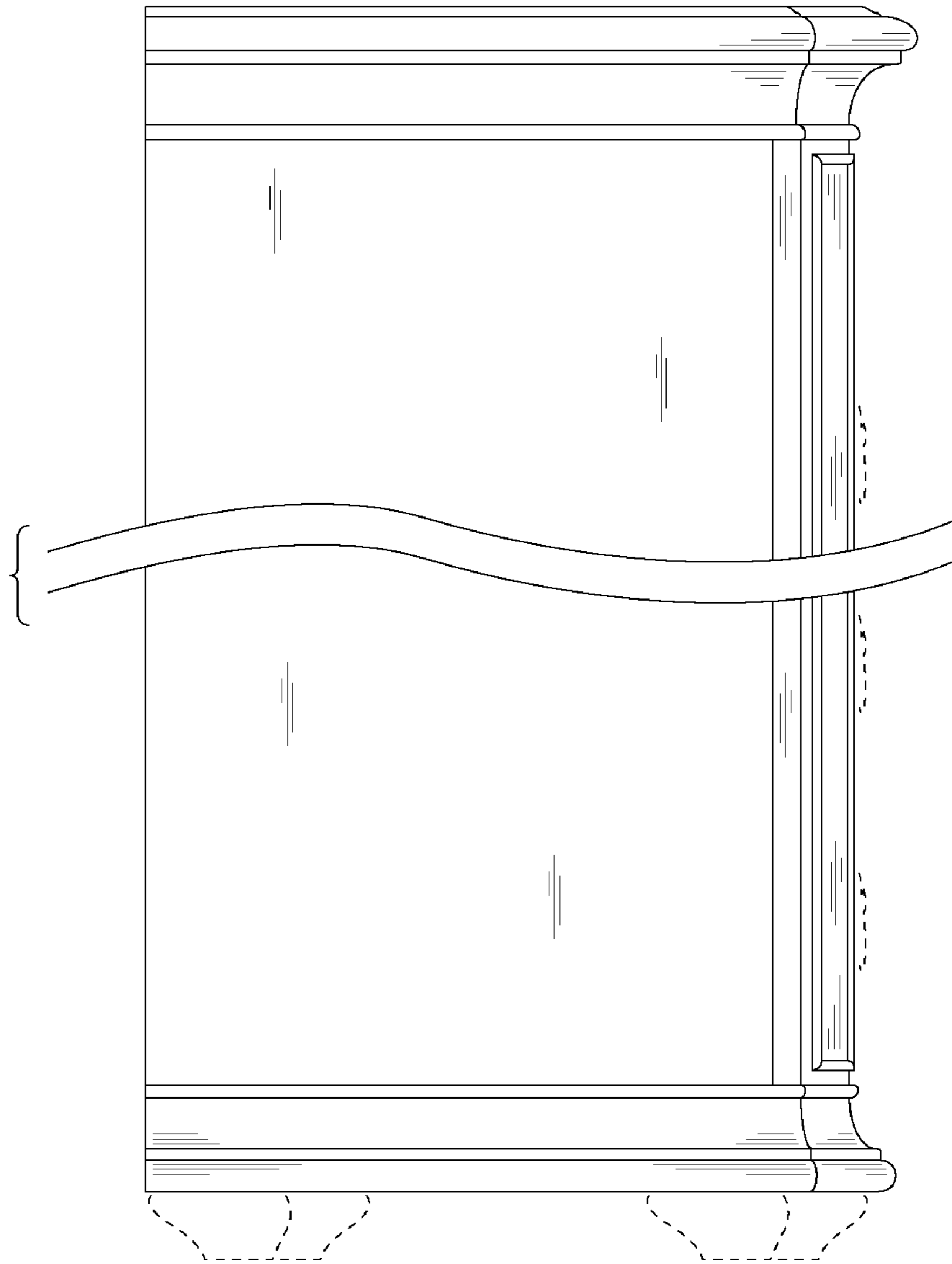


FIG. 3

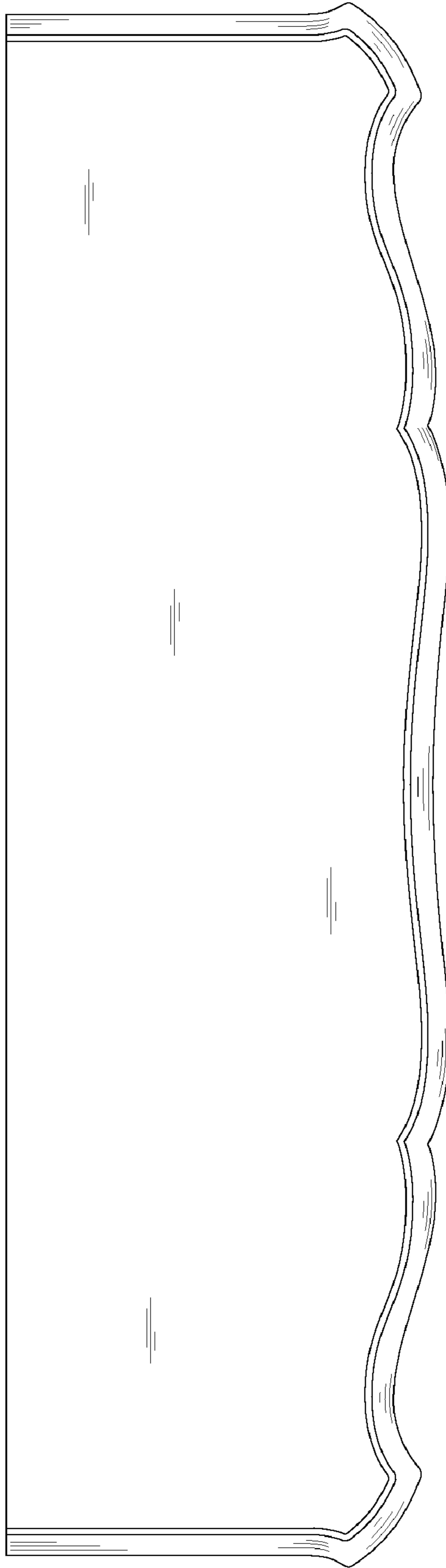


FIG. 4