



US00D557027S

(12) **United States Design Patent**
Hara

(10) **Patent No.:** **US D557,027 S**

(45) **Date of Patent:** **** Dec. 11, 2007**

(54) **CHAIR**

(75) Inventor: **Eisuke Hara**, Kawasaki (JP)

(73) Assignee: **Okamura Corporation** (JP)

(**) Term: **14 Years**

(21) Appl. No.: **29/279,076**

(22) Filed: **Apr. 19, 2007**

(30) **Foreign Application Priority Data**

Oct. 24, 2006 (JP) 2006-029073

(51) **LOC (8) Cl.** **06-01**

(52) **U.S. Cl.** **D6/366**

(58) **Field of Classification Search** D6/334-335,
D6/364, 366, 367, 374, 498, 500-502; 297/411.27,
297/452.21, 452.29, 452.32, 452.35, 452.37,
297/452.48

See application file for complete search history.

(56) **References Cited**

U.S. PATENT DOCUMENTS

D247,463 S * 3/1978 Muller-Deisig D6/366
D298,593 S * 11/1988 Vogtherr D6/366
D362,974 S * 10/1995 Olson et al. D6/366
D477,469 S * 7/2003 Brooks D6/366

D514,338 S * 2/2006 Bellin D6/366
D535,830 S * 1/2007 Bennett et al. D6/366

* cited by examiner

Primary Examiner—Mimosa De

(74) *Attorney, Agent, or Firm*—Ostrolenk, Faber, Gerb & Soffen, LLP

(57) **CLAIM**

The ornamental design for a chair, as shown and described.

DESCRIPTION

FIG. 1 is a front elevational view of a chair showing my new design;

FIG. 2 is a right side elevational view thereof;

FIG. 3 is a top plan view thereof;

FIG. 4 is a rear elevational view thereof;

FIG. 5 is a bottom plan view thereof;

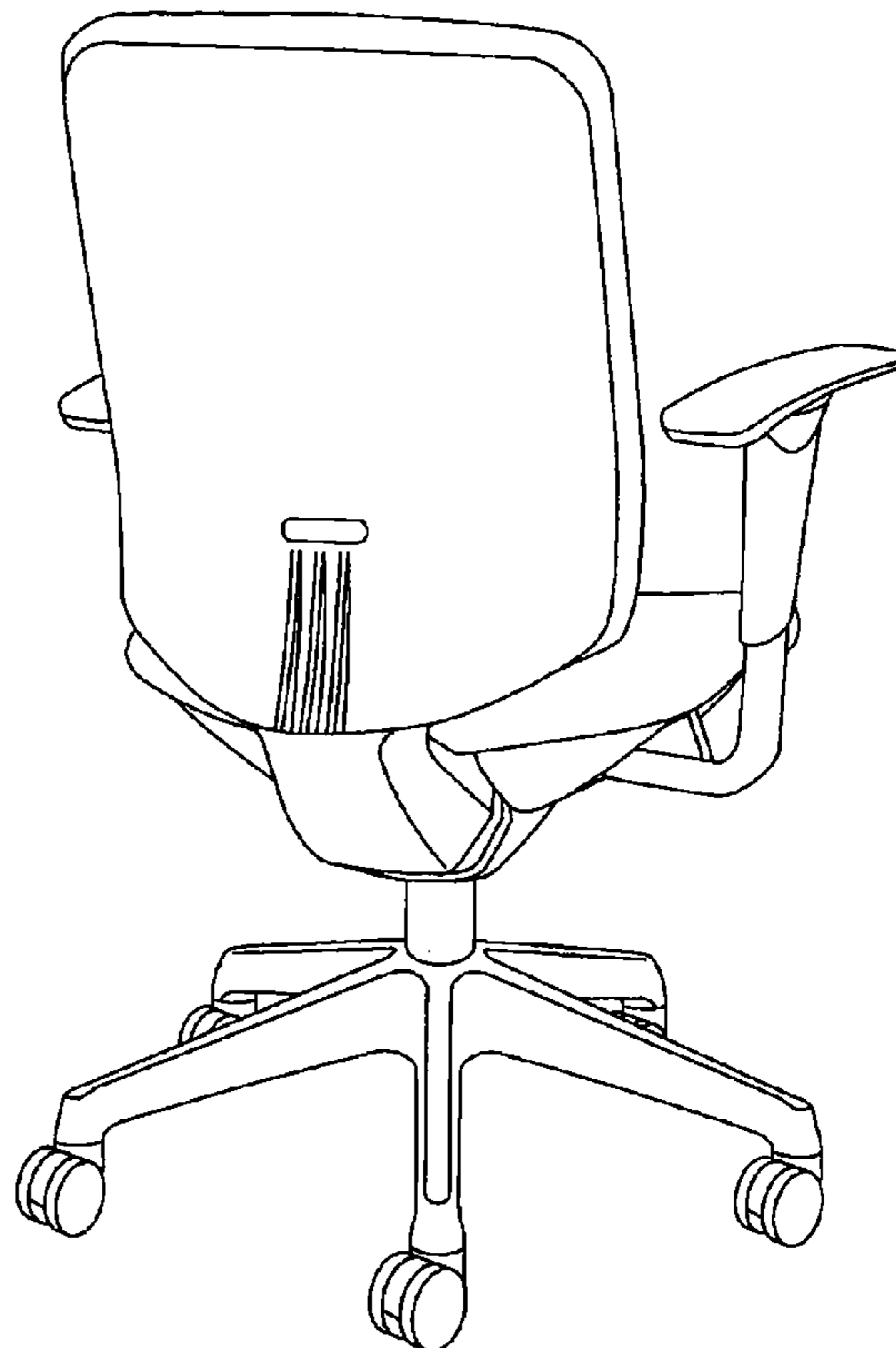
FIG. 6 is a vertical sectional view taken along the line A—A in FIG. 1 without internal structure;

FIG. 7 is a cross sectional view taken along the line B—B in FIG. 1 without internal structure;

FIG. 8 is a front perspective view of the chair; and,

FIG. 9 is a rear perspective view thereof.

1 Claim, 5 Drawing Sheets



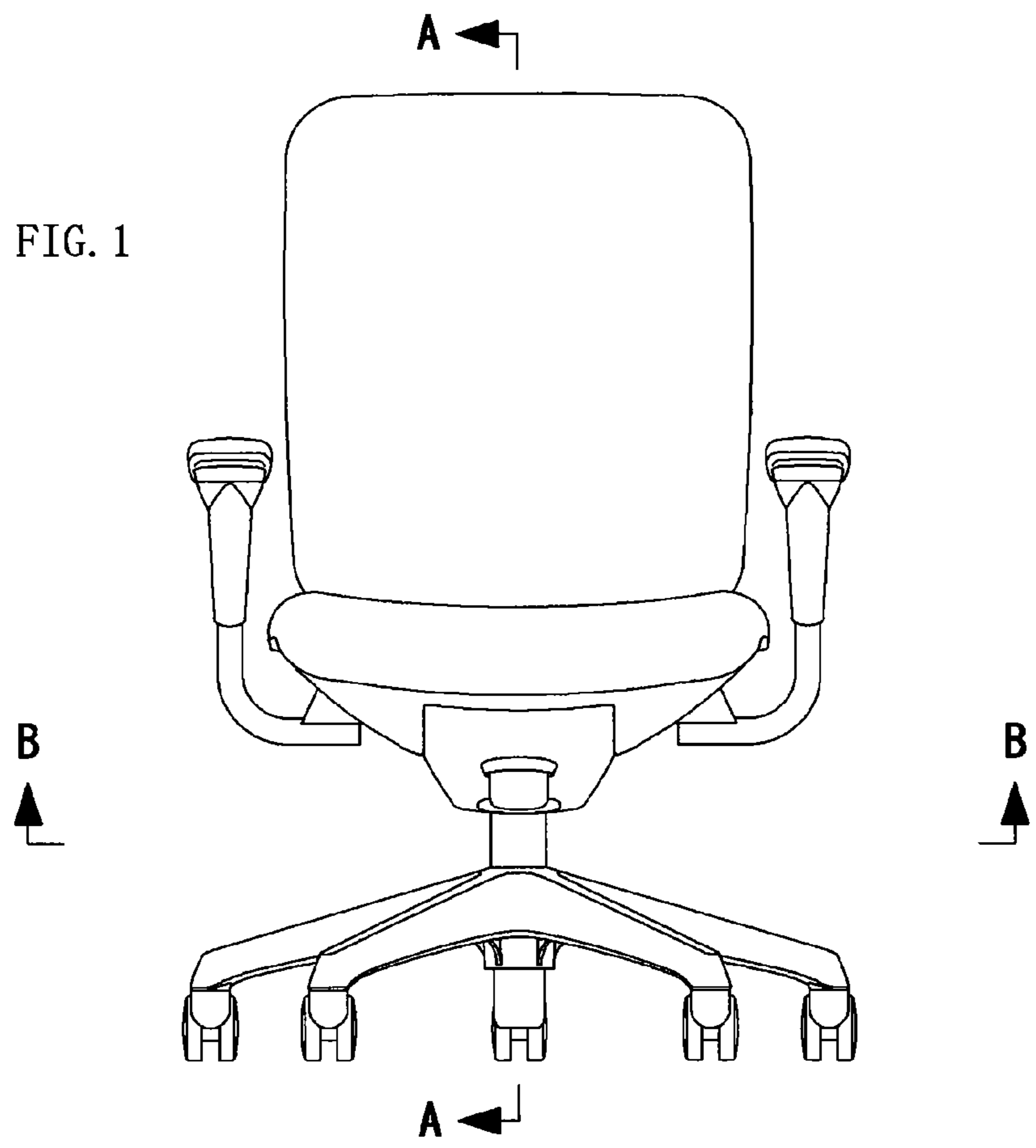


FIG. 2

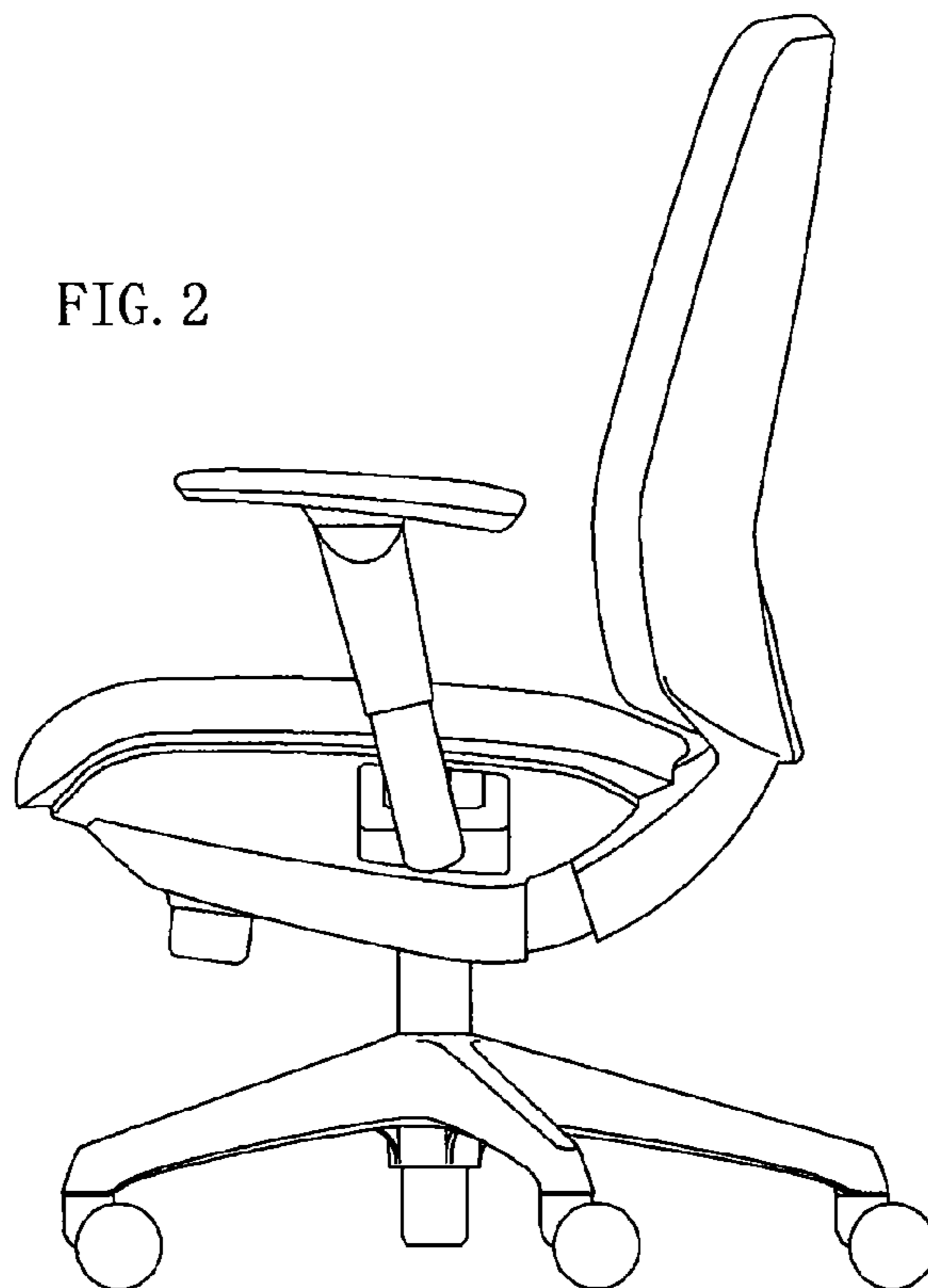


FIG. 3

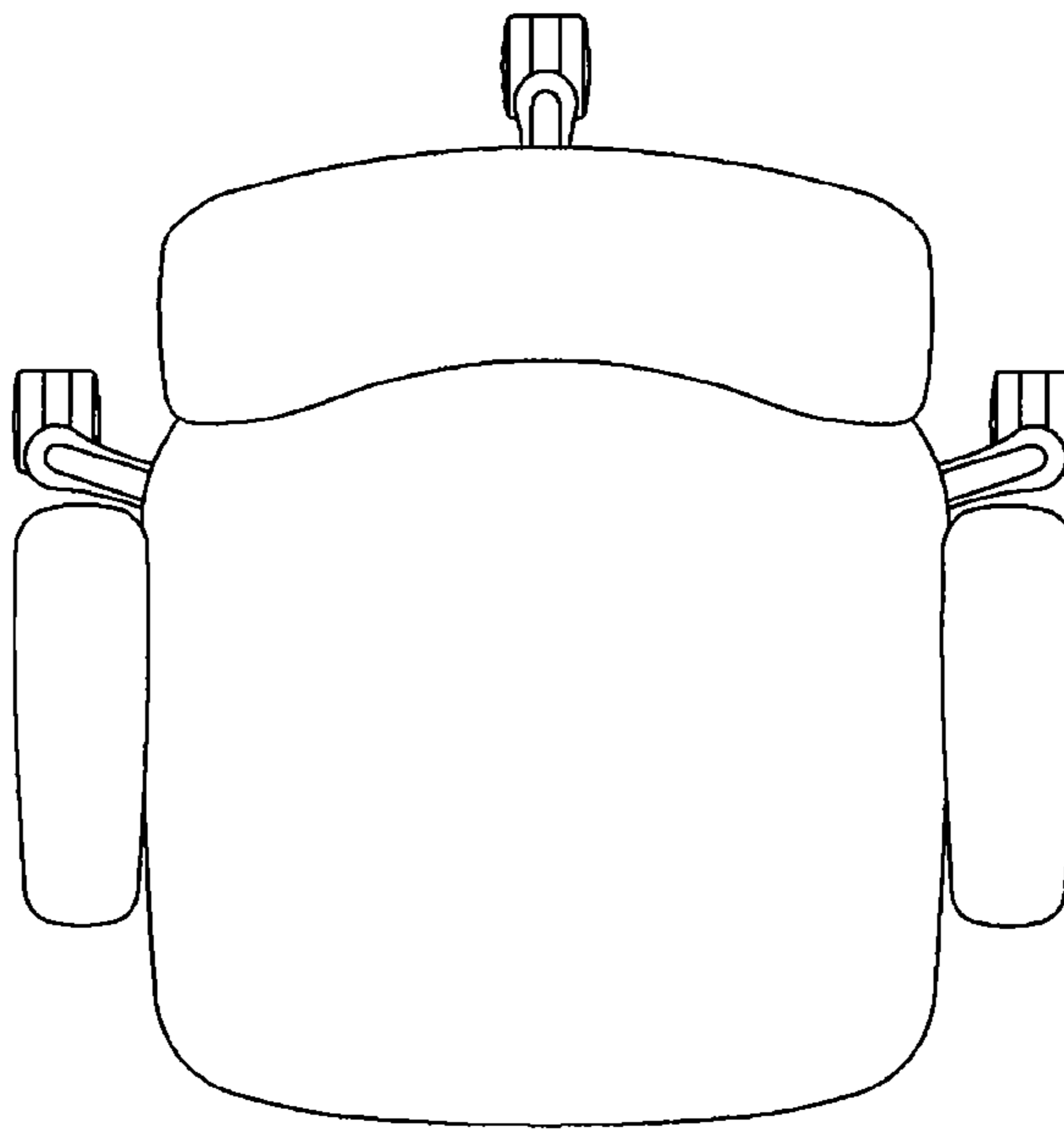


FIG. 4

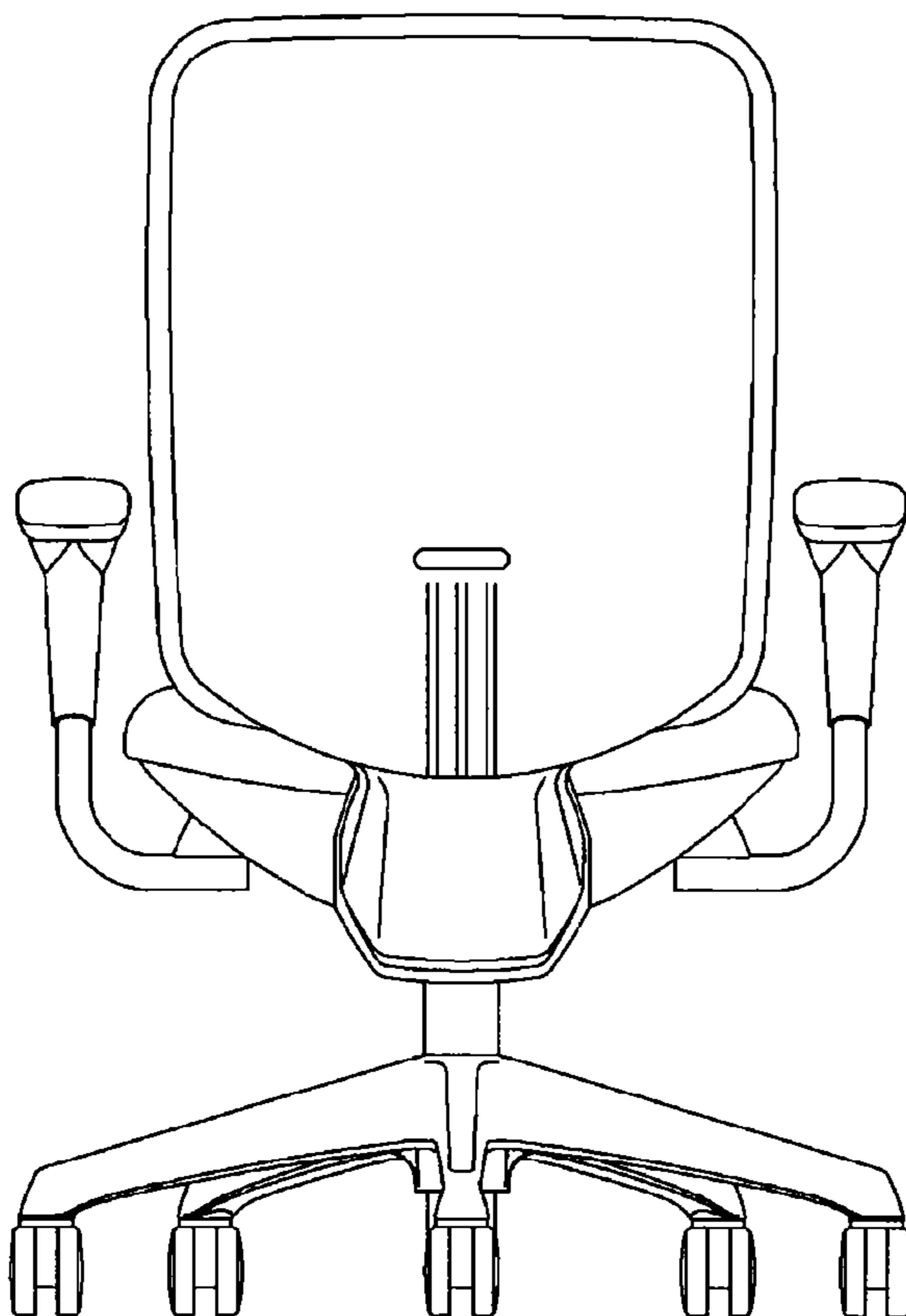


FIG. 5

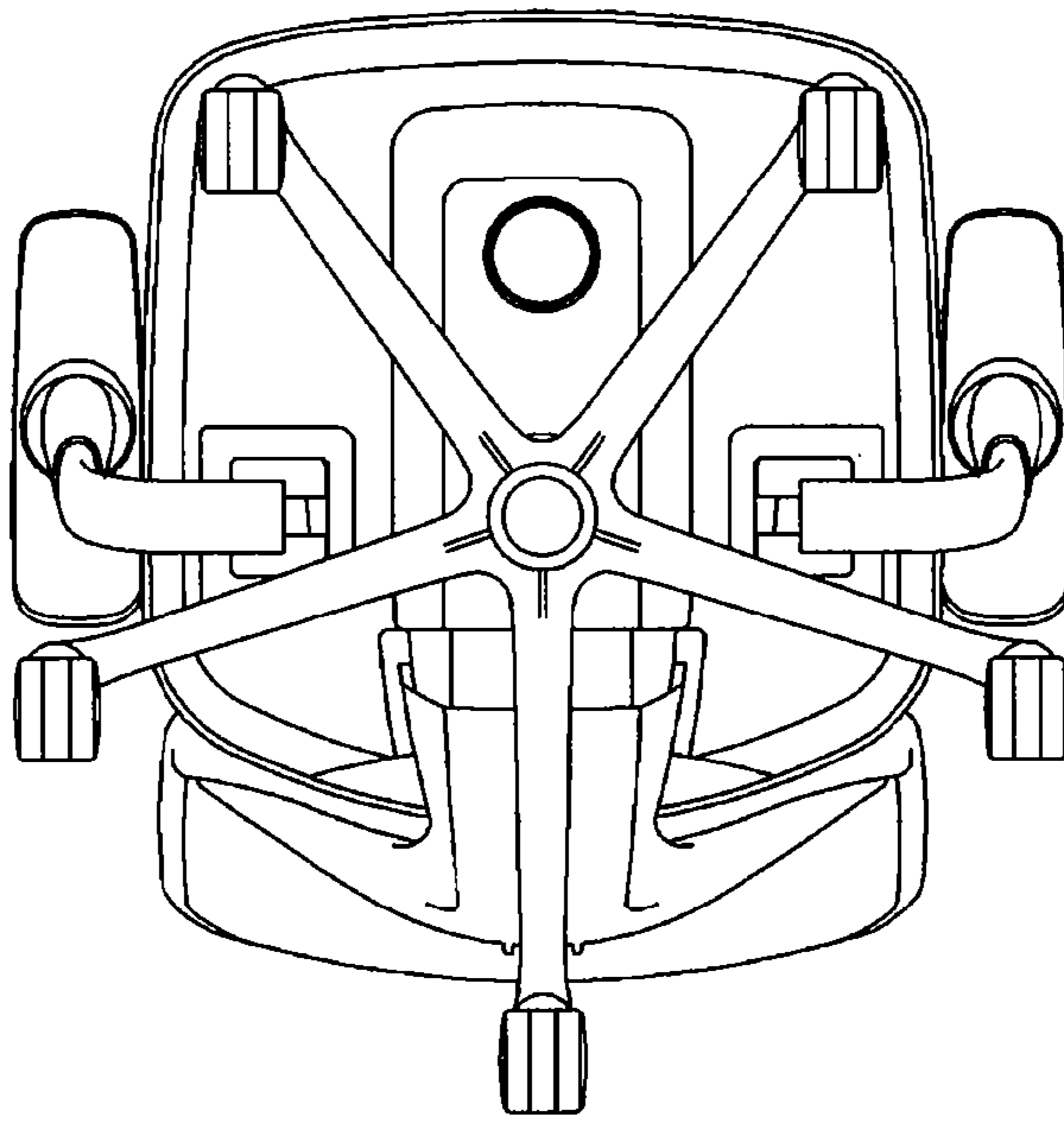


FIG. 6

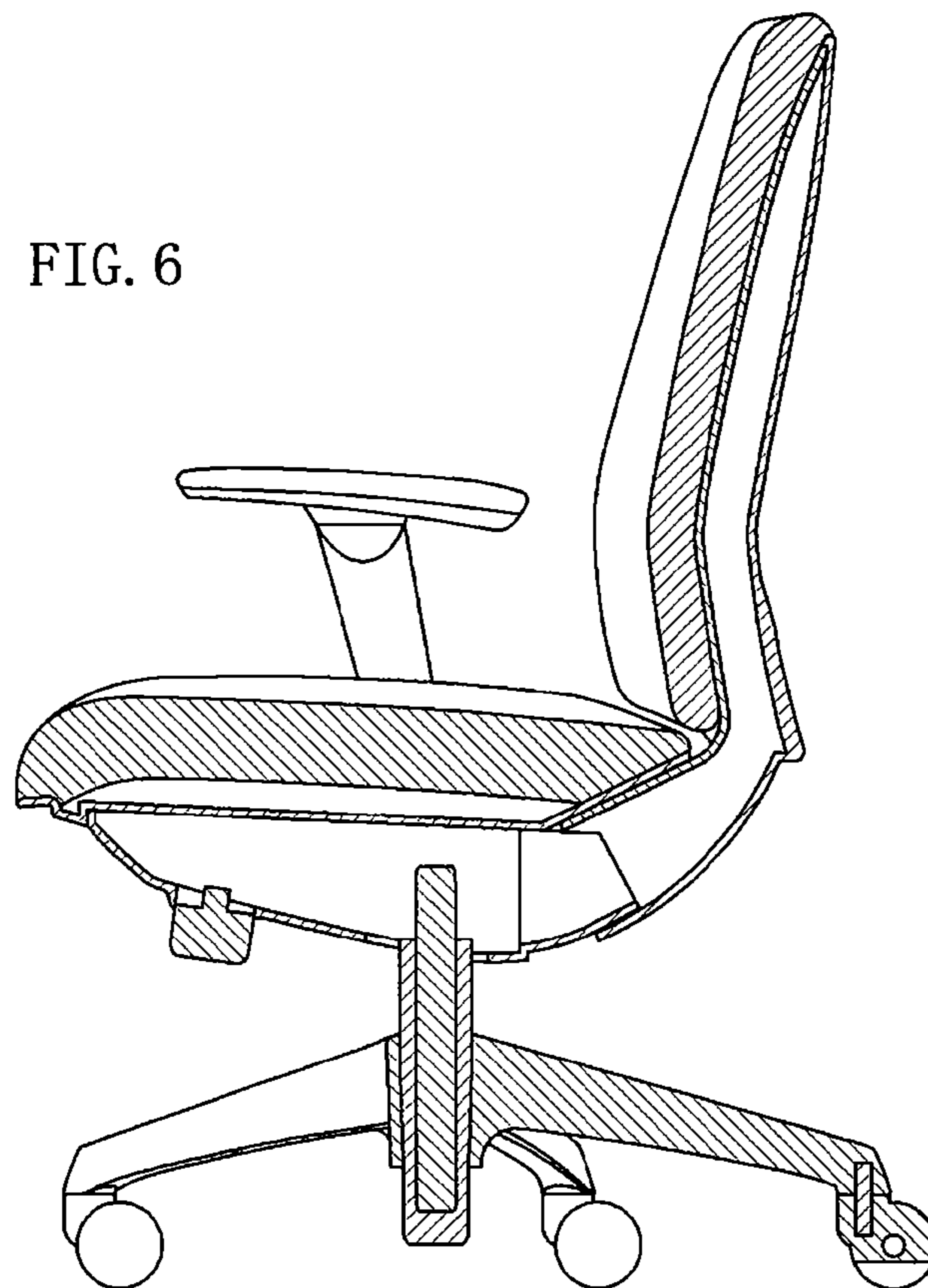


FIG. 7

