



US00D557026S

(12) **United States Design Patent** (10) **Patent No.:** **US D557,026 S**  
**Klaasen, II et al.** (45) **Date of Patent:** **\*\* Dec. 11, 2007**

- (54) **SEATING UNIT** 6,513,222 B2 2/2003 Von Ehr et al.  
D474,630 S 5/2003 Piretti  
(75) Inventors: **Gardner Klaasen, II**, Ada, MI (US); D476,493 S \* 7/2003 Nagamitsu ..... D6/366  
**David Valdiserri**, E. Grand Rapids, MI D481,230 S 10/2003 Piretti et al.  
(US); **Kenneth Penning**, Ada, MI (US) D486,657 S 2/2004 Si  
D493,627 S 8/2004 Ma  
(73) Assignee: **Steelcase Development Corporation**, D495,509 S 9/2004 Breen  
Caledonia, MI (US) D517,820 S 3/2006 Citterio  
7,011,371 B1 3/2006 Tsai  
(\*\*) Term: **14 Years** D518,318 S 4/2006 Koepke  
D535,112 S \* 1/2007 Bennett et al. .... D6/366  
(21) Appl. No.: **29/278,704** 2005/0146191 A1 7/2005 Machael et al.  
2007/0057560 A1\* 3/2007 Fookes et al. .... 297/411.35  
(22) Filed: **Apr. 6, 2007** \* cited by examiner

**Related U.S. Application Data**

- (62) Division of application No. 29/214,453, filed on Oct. 1, 2004.

- (51) **LOC (8) Cl.** ..... **06-01**  
(52) **U.S. Cl.** ..... **D6/366**  
(58) **Field of Classification Search** ..... D6/366,  
D6/334, 498, 502; 297/411.27, 411.28, 411.36,  
297/452

See application file for complete search history.

**References Cited**

- (56) **References Cited**  
U.S. PATENT DOCUMENTS  
D276,396 S 11/1984 Locher  
D330,808 S 11/1992 Citterio  
D372,595 S \* 8/1996 Schultz et al. .... D6/366  
D390,712 S 2/1998 Koepke et al.  
D407,576 S 4/1999 Ritch et al.  
D407,911 S 4/1999 Brauning  
D420,538 S 2/2000 Arko et al.  
D434,918 S 12/2000 Arko et al.  
D437,497 S 2/2001 Brauning  
D437,701 S 2/2001 Bellini et al.  
D446,033 S 8/2001 Koepke et al.  
D468,564 S 1/2003 Piretti et al.

*Primary Examiner*—Robert M. Spear  
*Assistant Examiner*—Katrina A Kile  
(74) *Attorney, Agent, or Firm*—Price, Heneveld, Cooper.  
DeWitt & Litton LLP

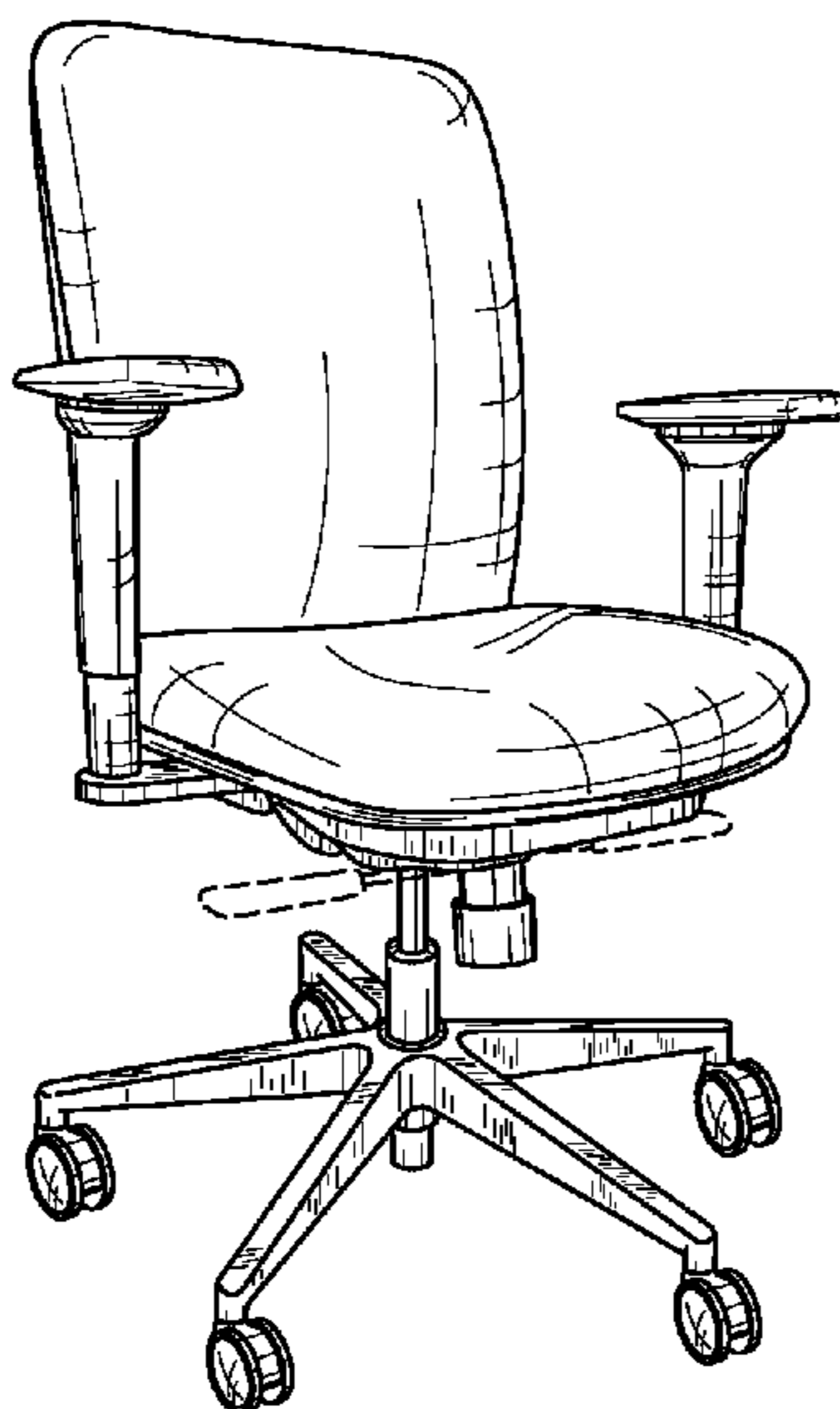
(57) **CLAIM**

We claim the ornamental design for a seating unit, as shown and described.

**DESCRIPTION**

FIG. 1 is a front perspective view of a seating unit showing our design;  
FIG. 2 is a left side view of FIG. 1, the right side view being a mirror image of the left side;  
FIG. 3 is a front view of FIG. 1; and  
FIG. 4 is a back view of FIG. 1; and,  
FIG. 5 is a top view of FIG. 1.  
In the drawings, the broken line showing of an adjustment handle depicts environmental subject matter and forms no part of the claim.

**1 Claim, 2 Drawing Sheets**



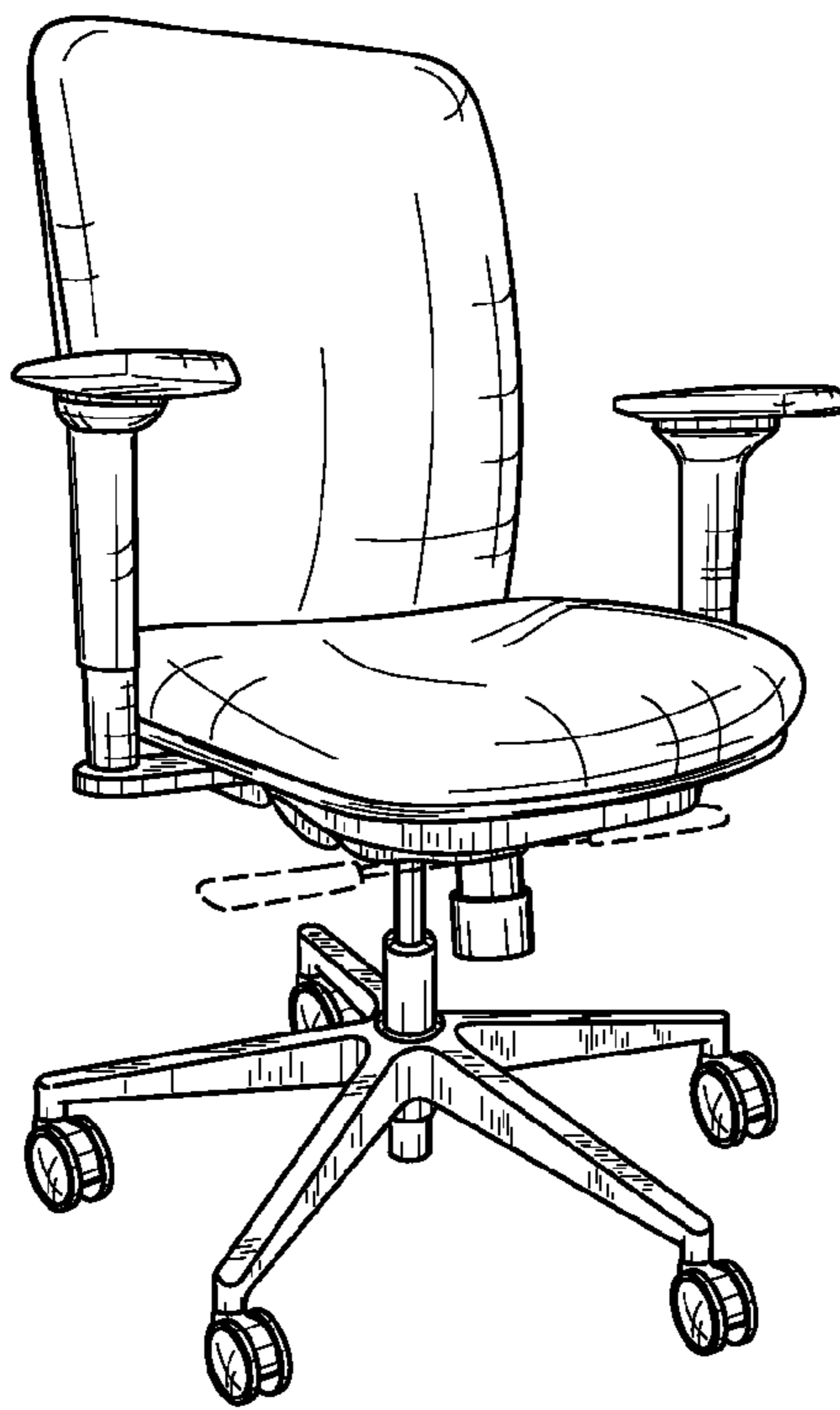


FIG. 1

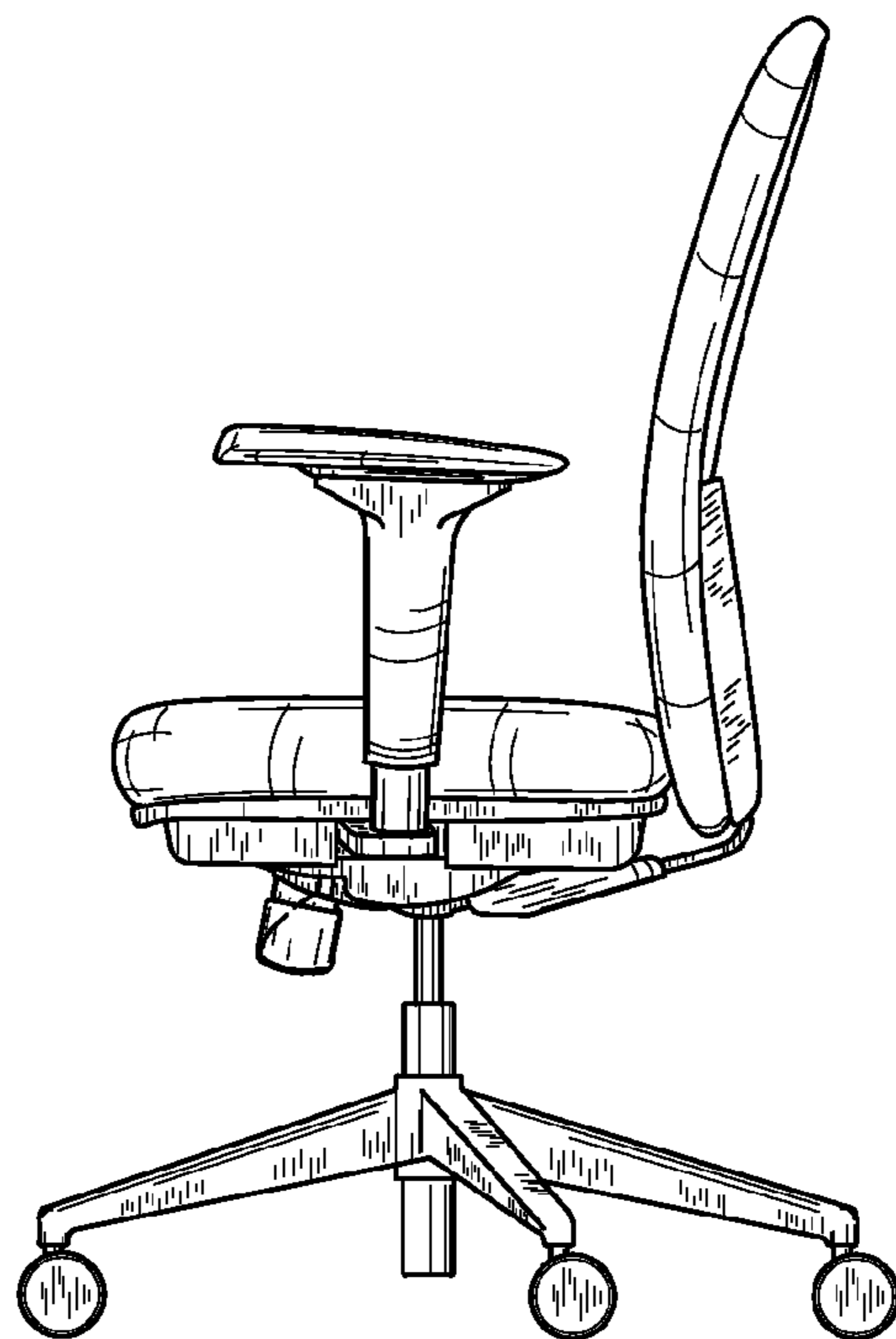


FIG. 2

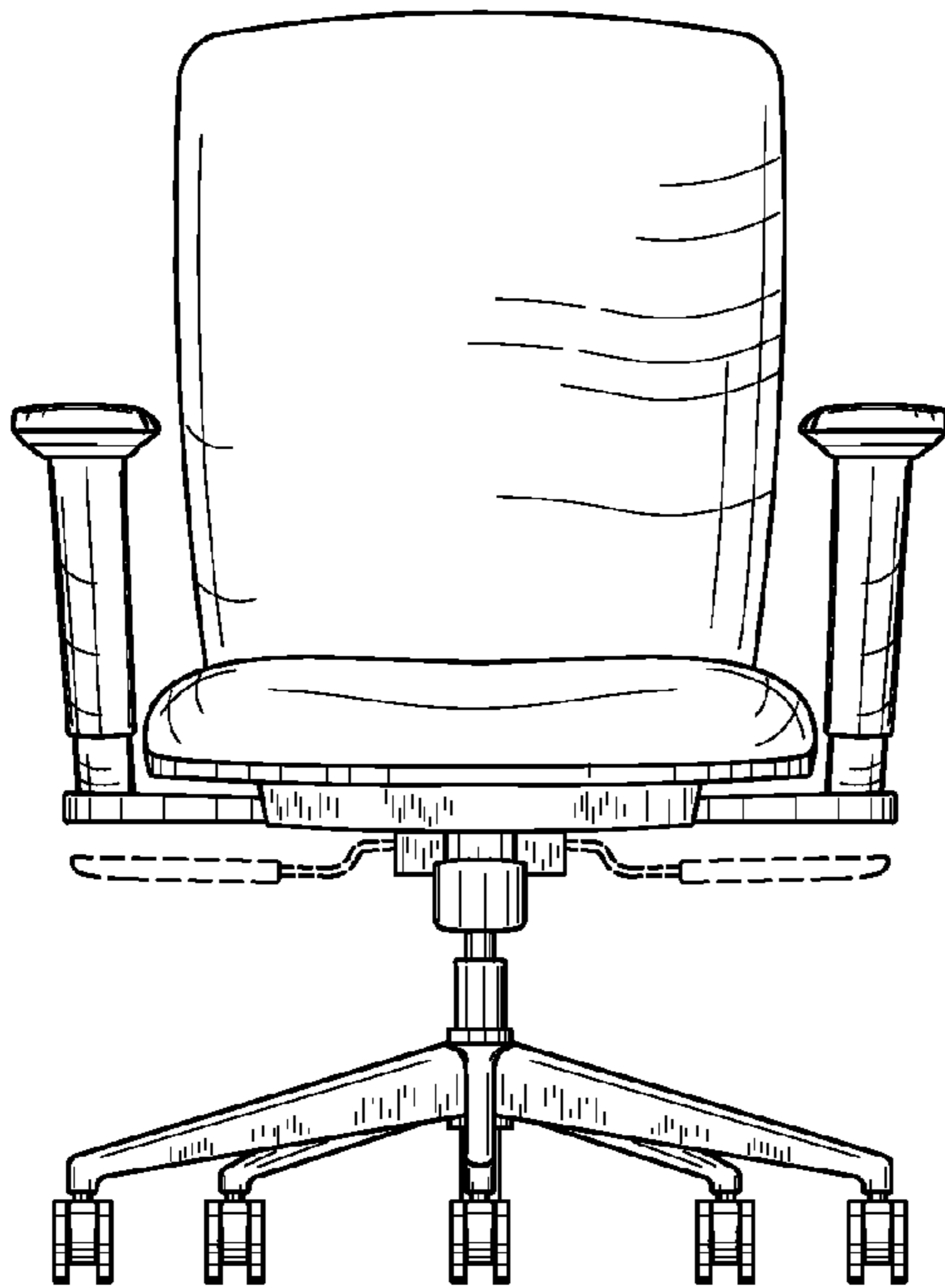


FIG. 3

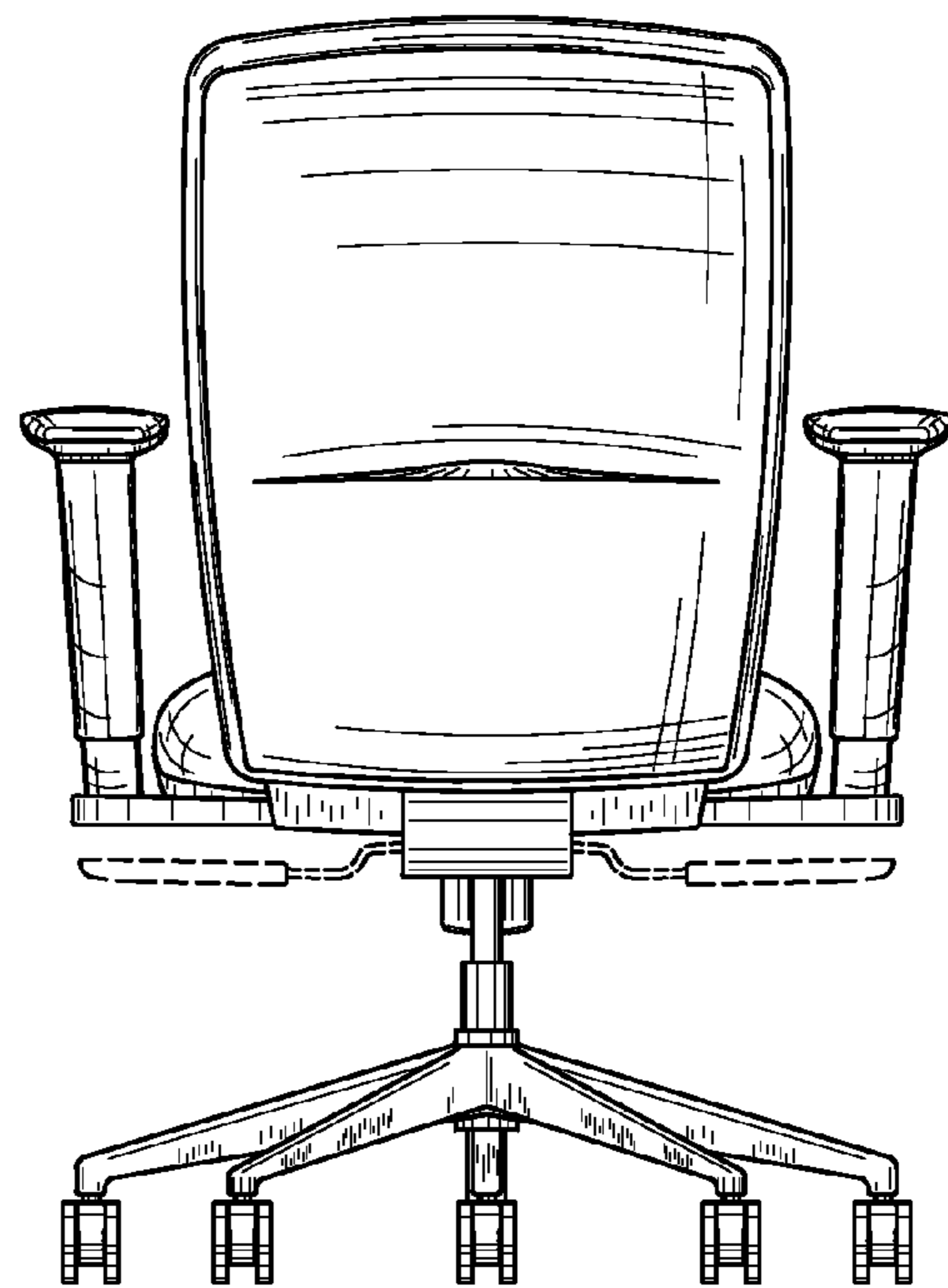


FIG. 4

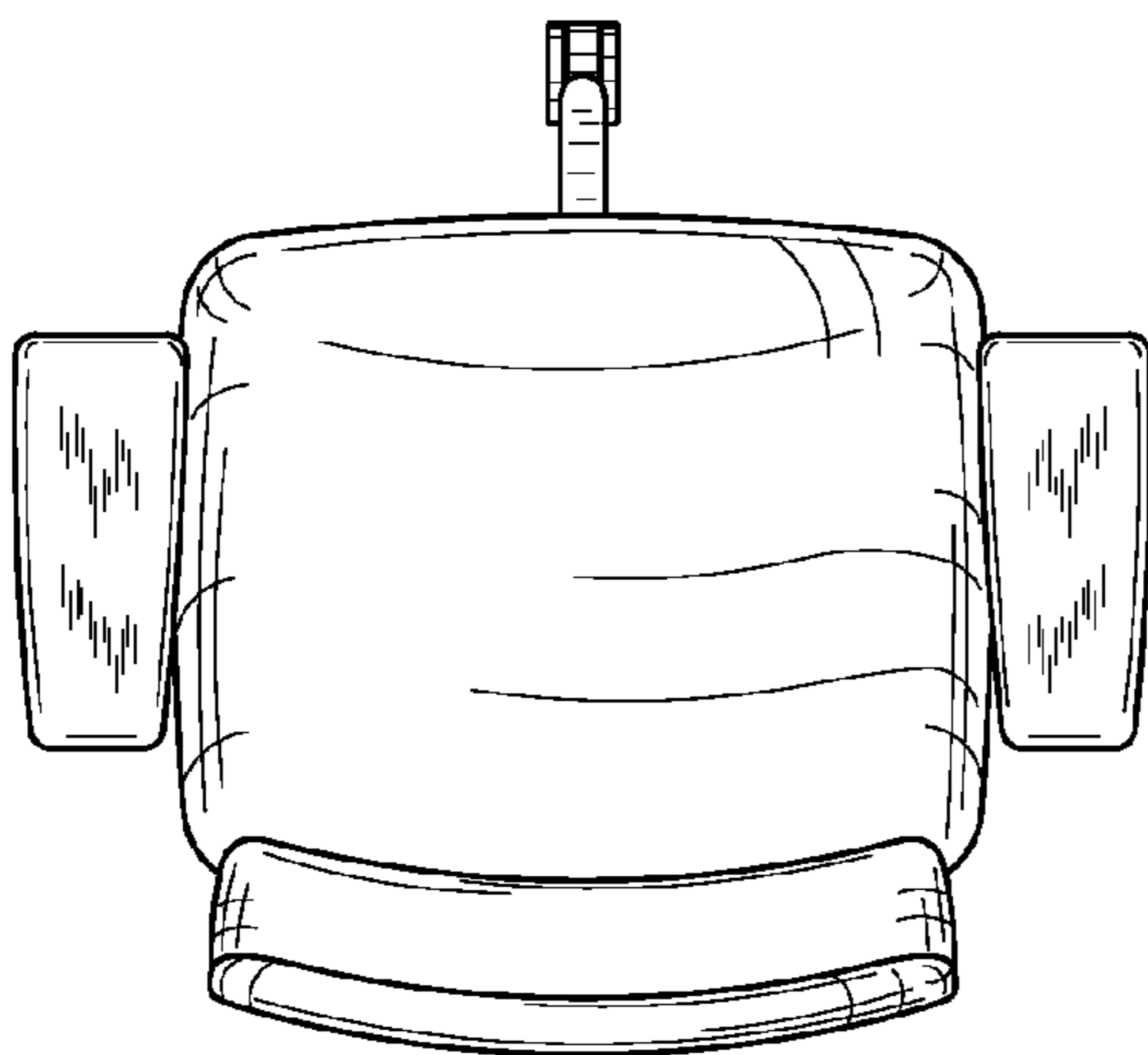


FIG. 5