



US00D557024S

(12) **United States Design Patent**
Chen

(10) **Patent No.:** **US D557,024 S**

(45) **Date of Patent:** **** Dec. 11, 2007**

(54) **OFFICE CHAIR**

(76) Inventor: **Yung-Hua Chen**, 1F, No.2, Lane 157,
Wan-an Street, Sinjhuang City, Taipei
County 242 (TW)

(**) Term: **14 Years**

(21) Appl. No.: **29/274,405**

(22) Filed: **Apr. 23, 2007**

(51) **LOC (8) Cl.** **06-01**

(52) **U.S. Cl.** **D6/366**

(58) **Field of Classification Search** D6/334,
D6/364, 365, 366, 367, 498, 500-502; 297/391,
297/393, 396, 411.2, 411.27, 411.36, 452.29
See application file for complete search history.

(56) **References Cited**

U.S. PATENT DOCUMENTS

D456,626 S *	5/2002	Su	D6/366
D486,656 S *	2/2004	Su	D6/366
D493,627 S *	8/2004	Ma	D6/366
D495,509 S *	9/2004	Breen	D6/366
D497,265 S *	10/2004	Tai	D6/366
D507,124 S *	7/2005	Yang	D6/366
D511,418 S *	11/2005	Breen	D6/366

D512,232 S *	12/2005	Wu	D6/366
D512,843 S *	12/2005	Breen	D6/366
D541,062 S *	4/2007	Su	D6/366
D543,717 S *	6/2007	Chen	D6/366
D545,076 S *	6/2007	Dallmann et al.	D6/366

* cited by examiner

Primary Examiner—Mimosa De

(74) *Attorney, Agent, or Firm*—Rosenberg, Klein & Lee

(57) **CLAIM**

The ornamental design for a office chair, as shown and described.

DESCRIPTION

FIG. 1 is a perspective view of a office chair showing my new design;

FIG. 2 is a front elevational view thereof;

FIG. 3 is a rear elevational view thereof;

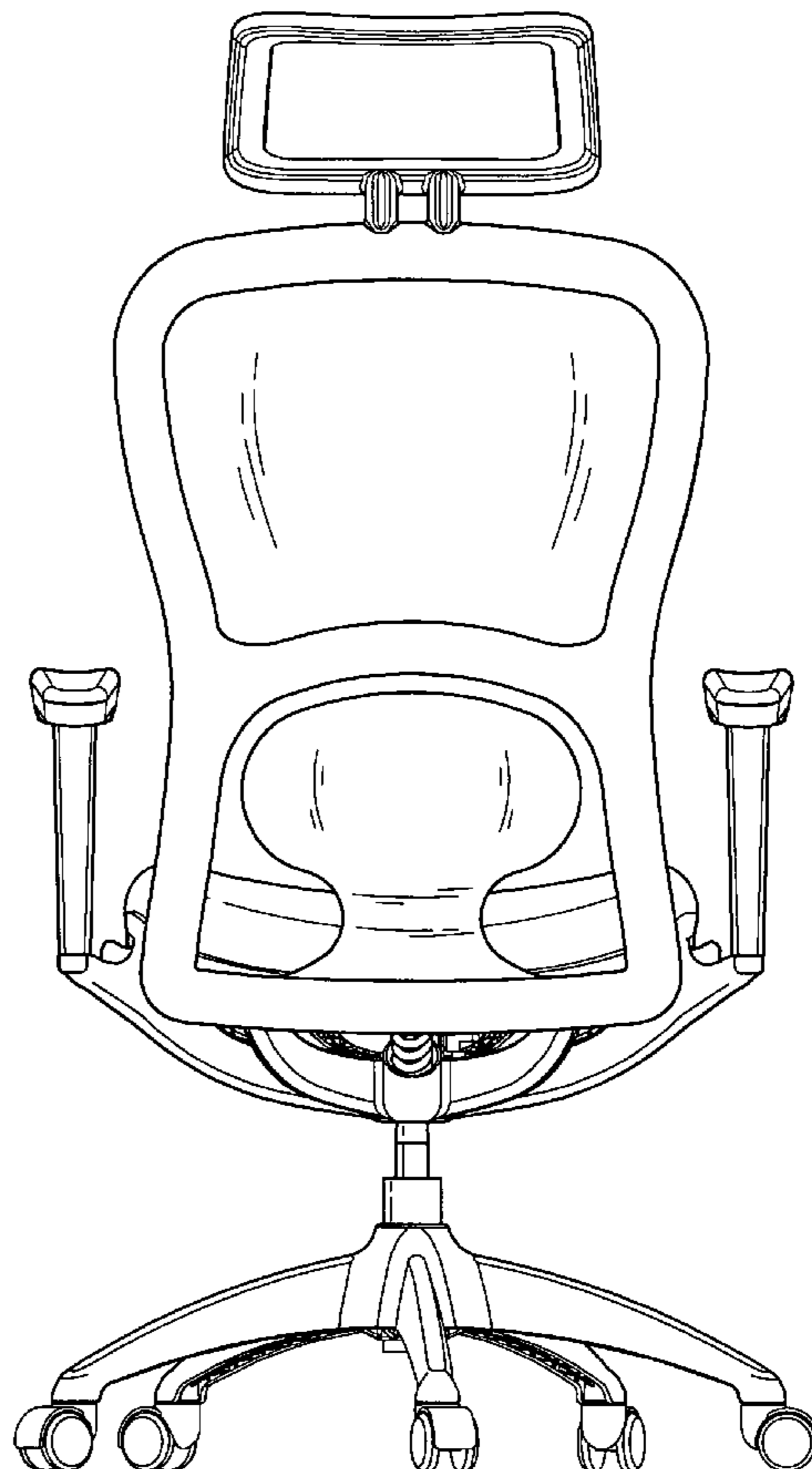
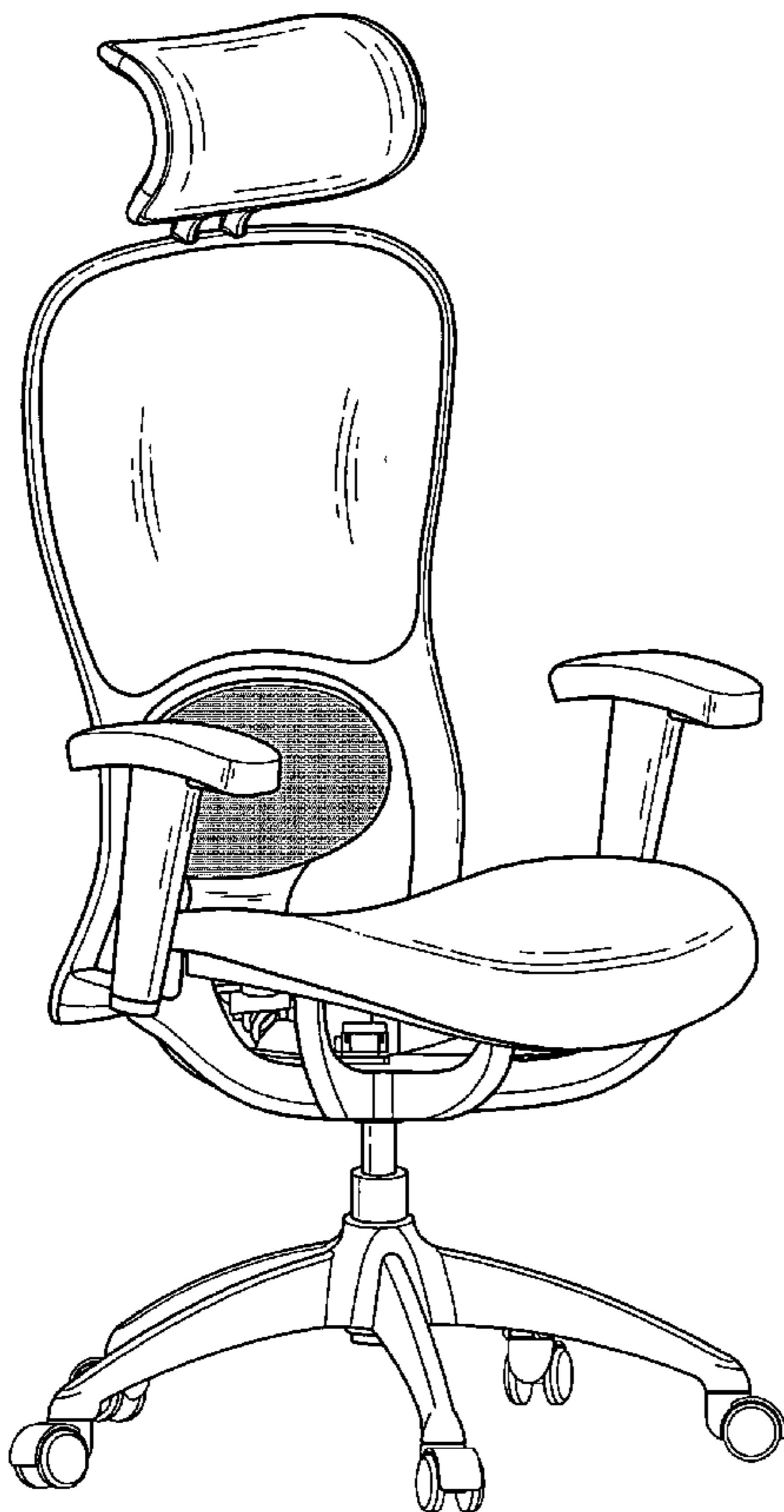
FIG. 4 is a left side elevational view thereof;

FIG. 5 is a right side elevational view thereof;

FIG. 6 is a top plan view thereof; and,

FIG. 7 is a bottom plan view thereof.

1 Claim, 7 Drawing Sheets



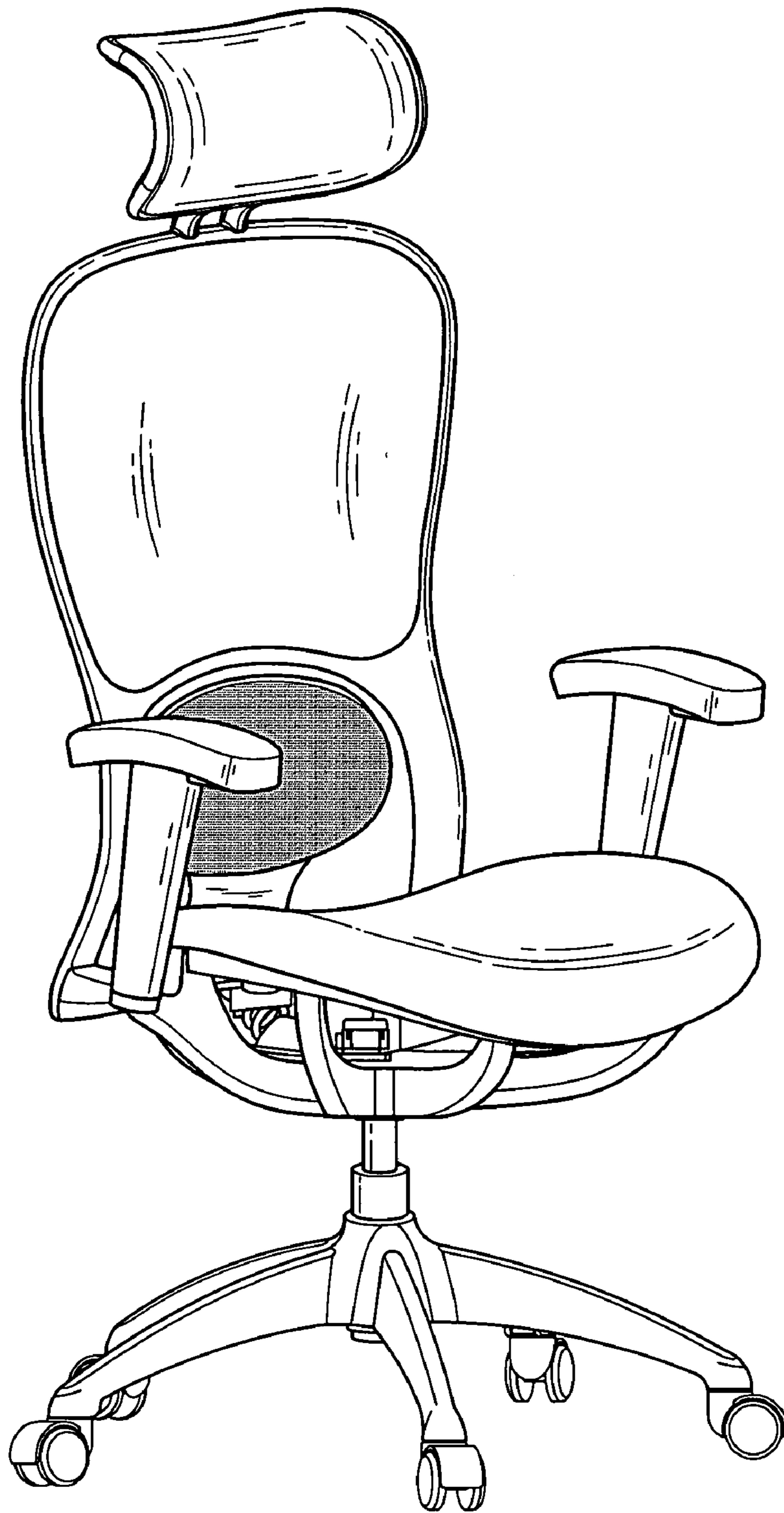


FIG. 1

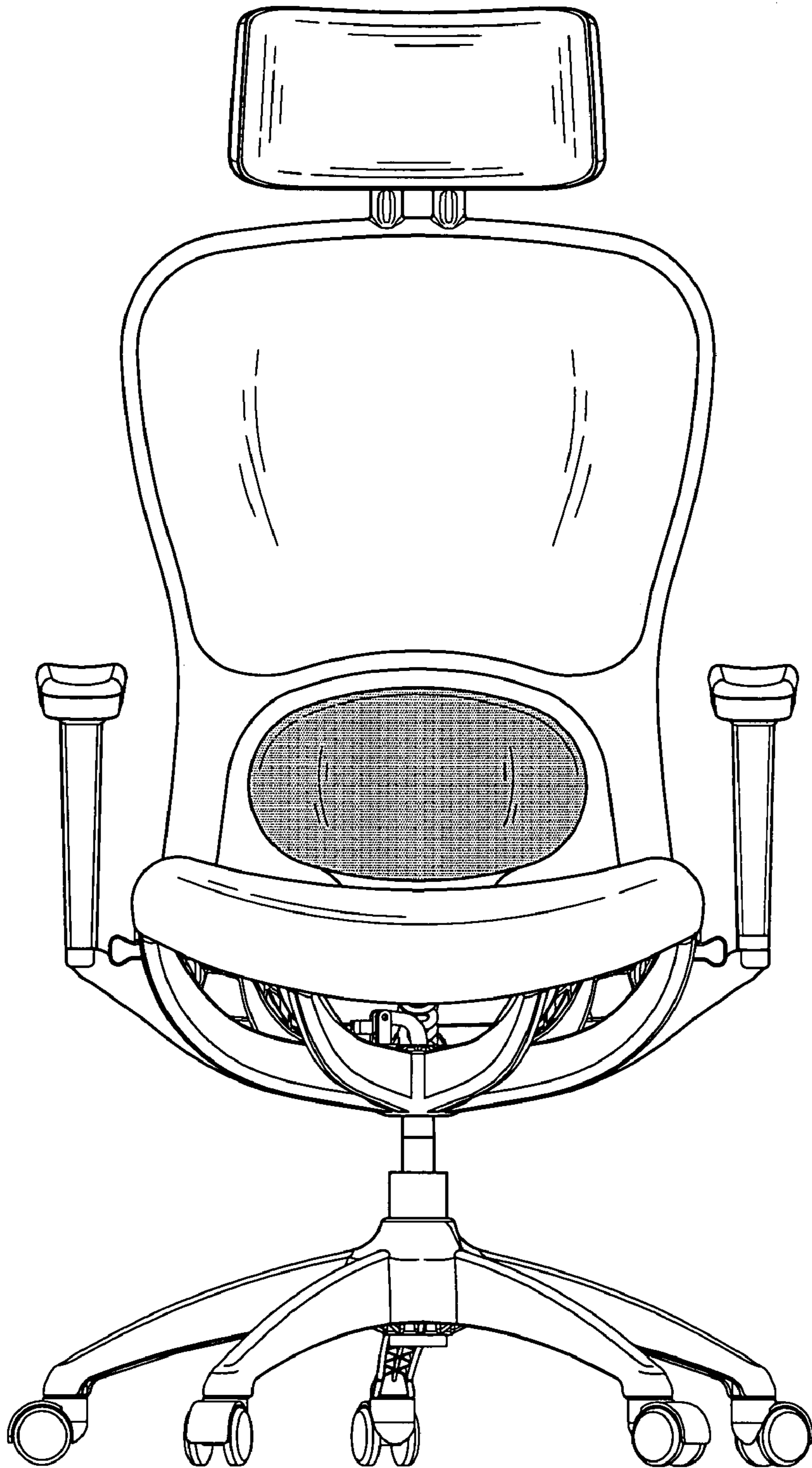


FIG.2

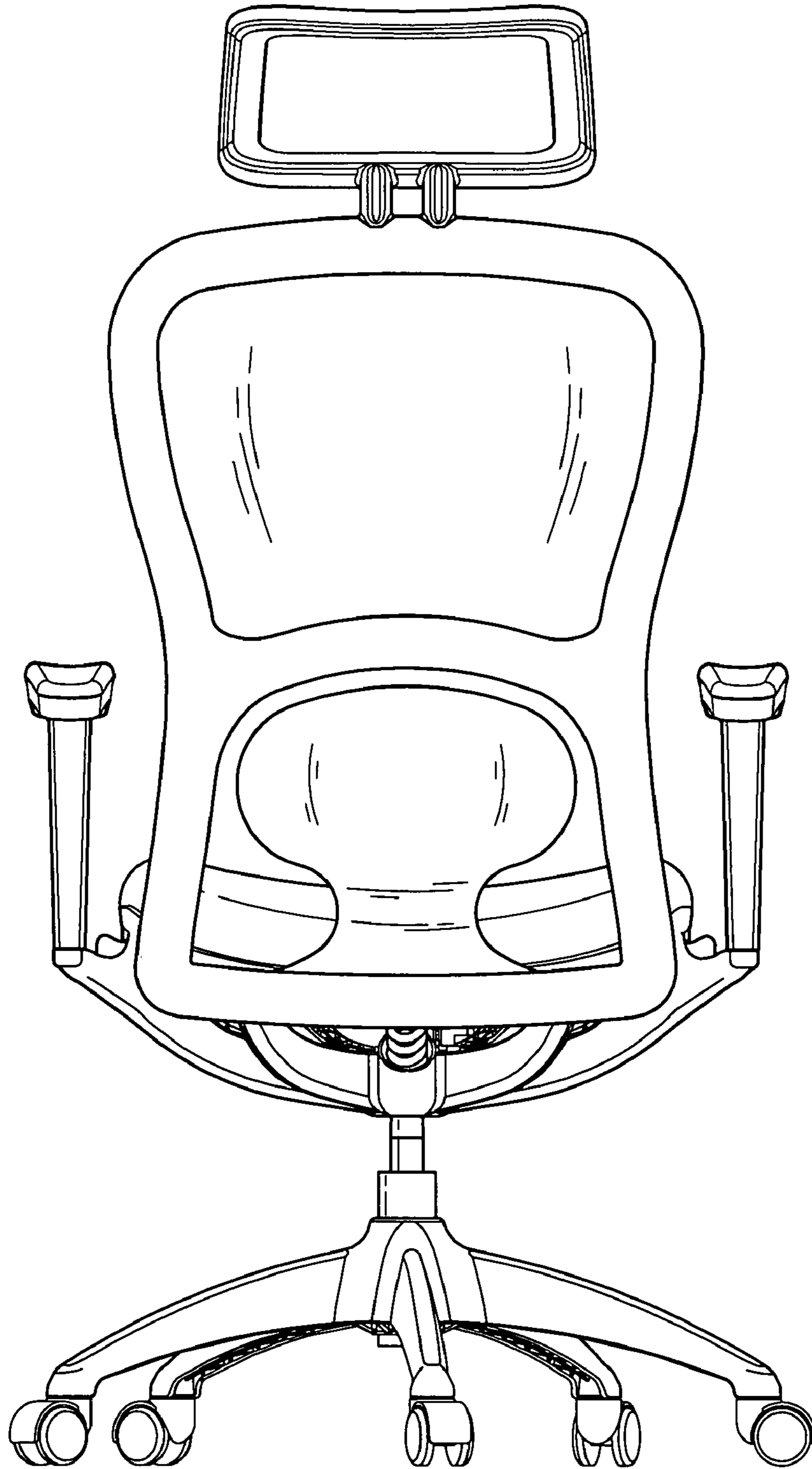


FIG.3

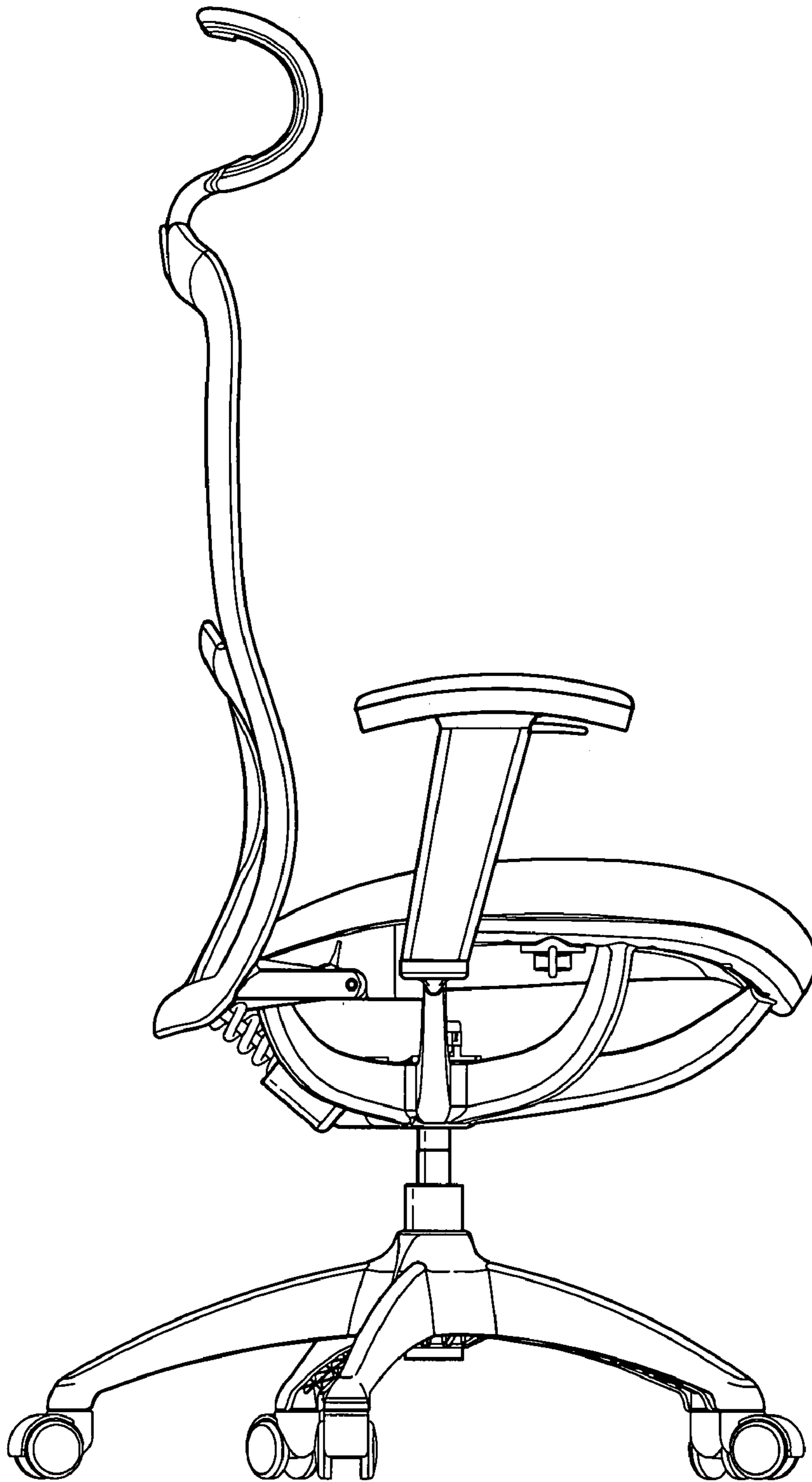


FIG.4

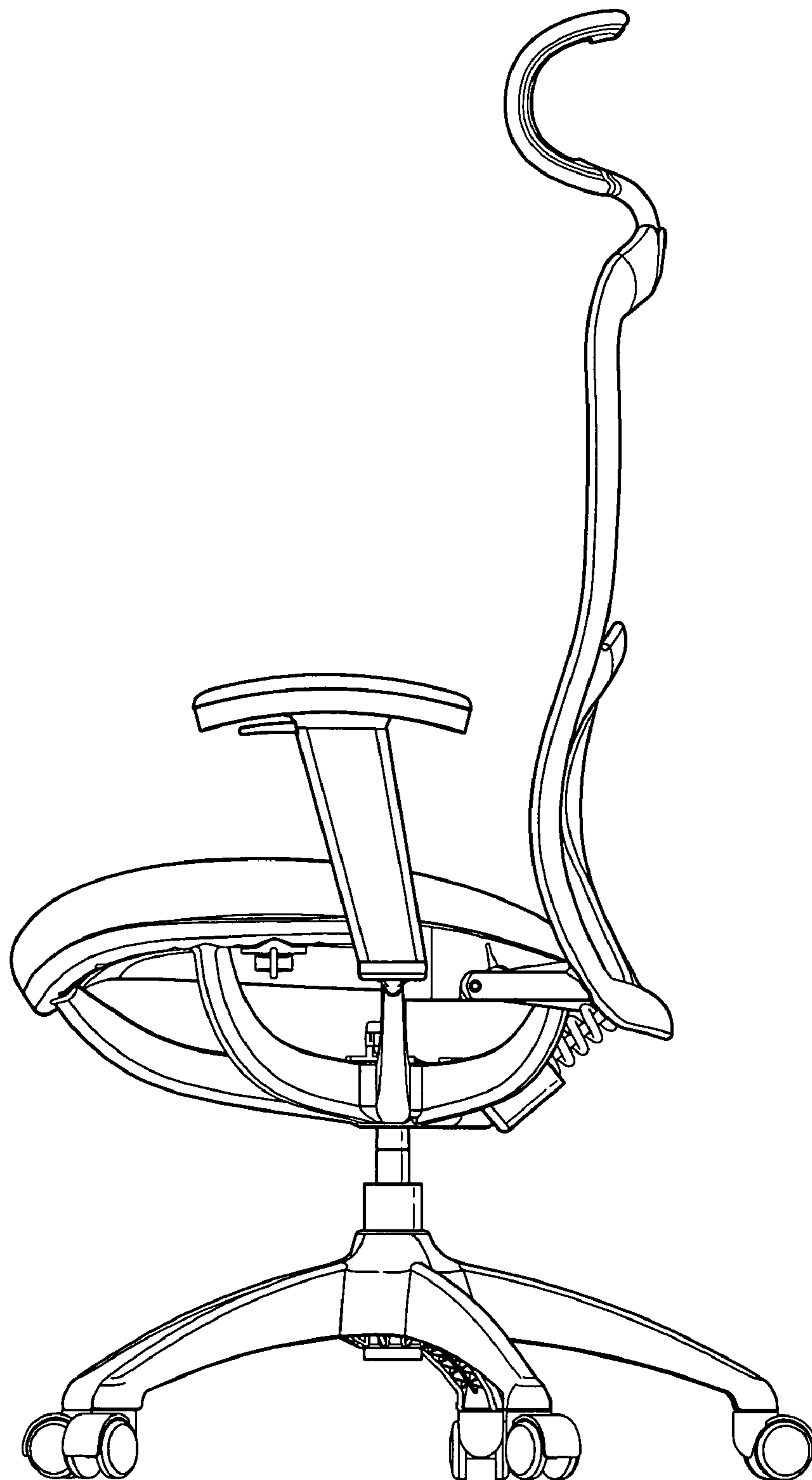


FIG.5

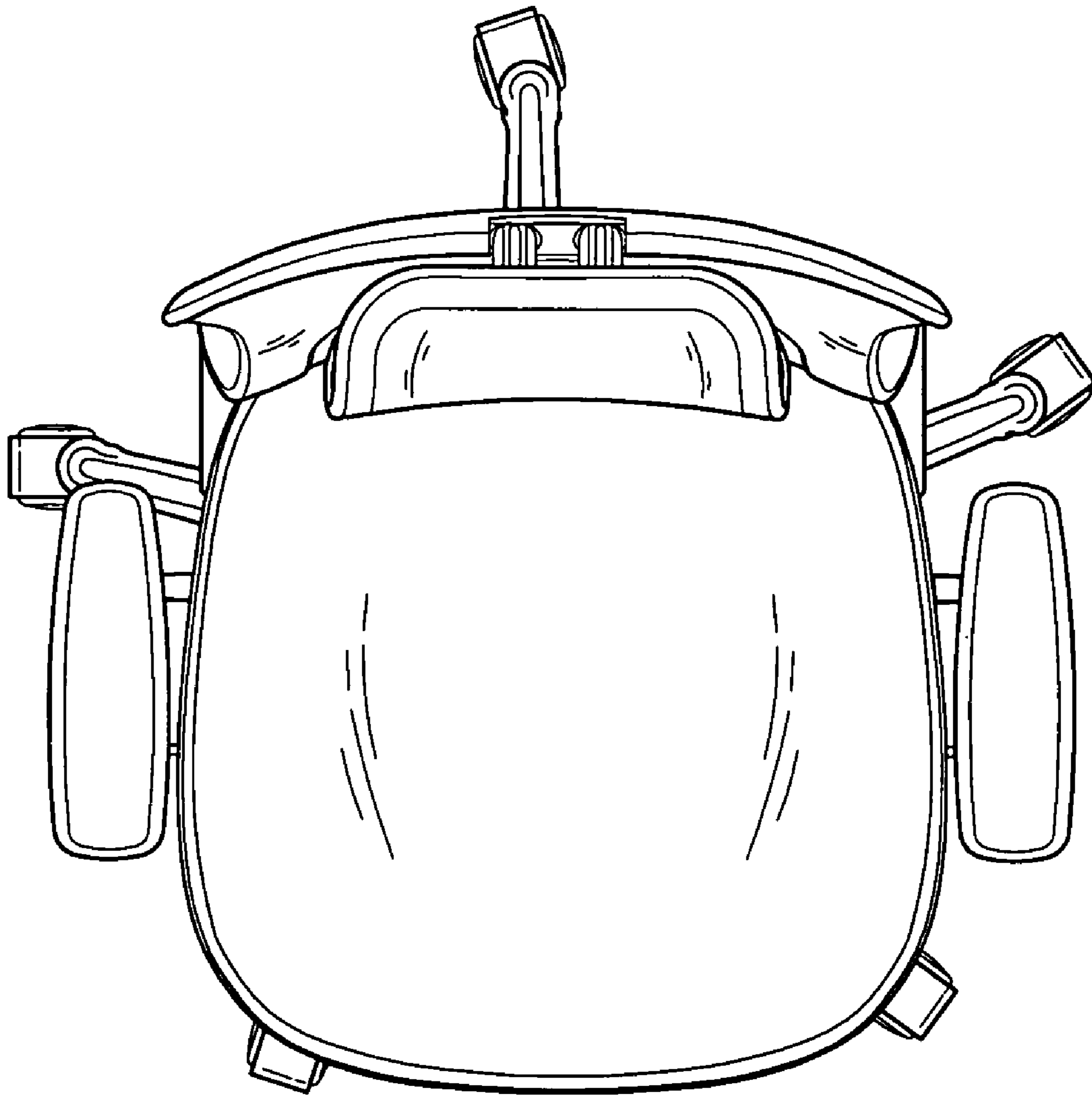


FIG.6

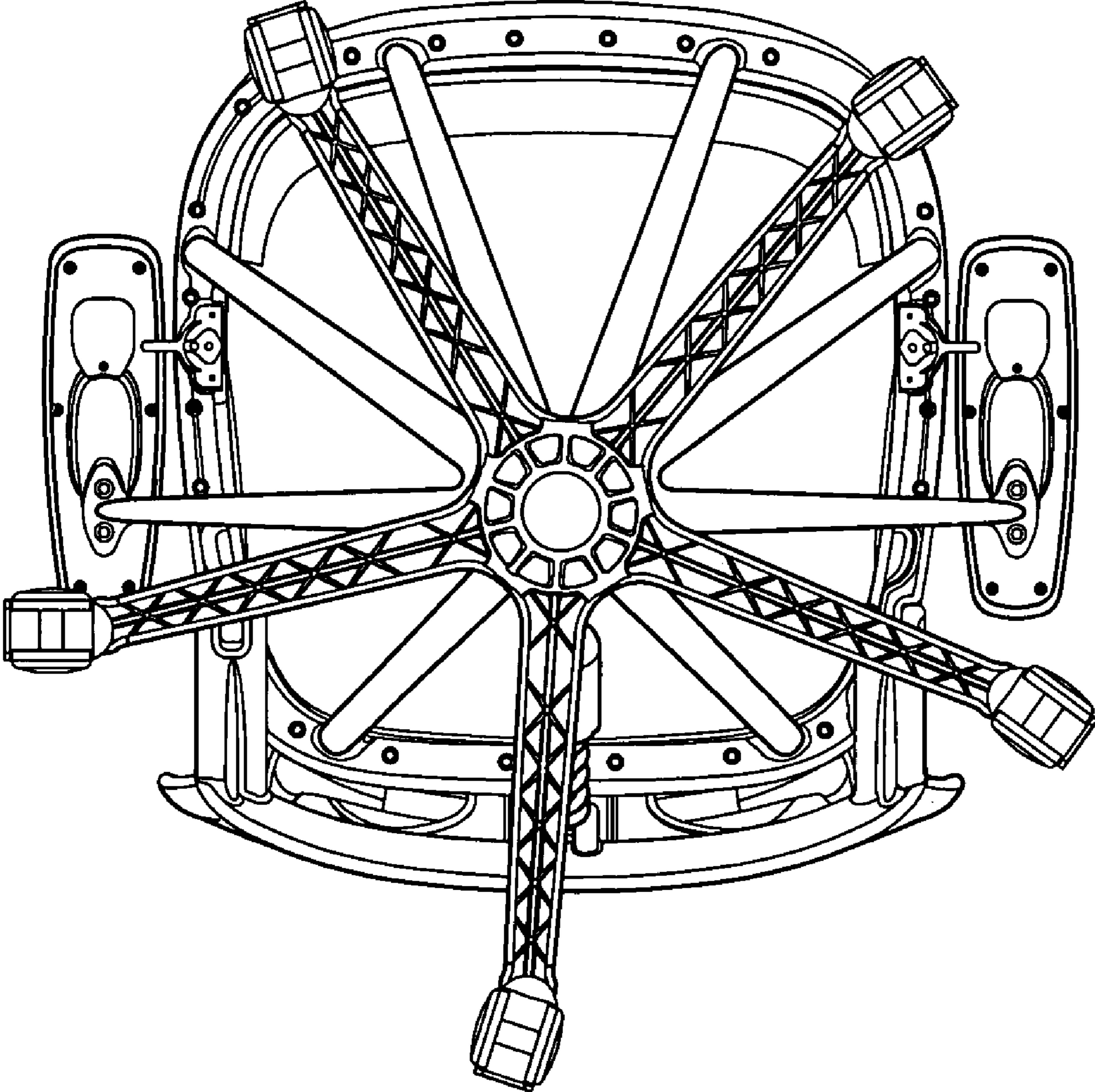


FIG. 7