



US00D557023S

(12) **United States Design Patent**  
**Baughman**

(10) **Patent No.:** **US D557,023 S**

(45) **Date of Patent:** **\*\* Dec. 11, 2007**

(54) **GOLF BAG STOOL**

(76) Inventor: **Elliott Baughman**, 1307 N. Westador  
Dr., Arlington, TX (US) 76015

(\*\*) Term: **14 Years**

(21) Appl. No.: **29/280,570**

(22) Filed: **May 31, 2007**

(51) **LOC (8) Cl.** ..... **06-01**

(52) **U.S. Cl.** ..... **D6/351**

(58) **Field of Classification Search** ..... D6/349-355,  
D6/363-364, 484, 495, 500-502; 297/195.1,  
297/195.11, 16.1, 118, 16.2, 175, 187, 462,  
297/215.16, 219.11, 423.1, 423.39, 423.41,  
297/423.43, 461; 108/53.3, 115, 150; D3/255;  
206/315.3

See application file for complete search history.

(56) **References Cited**

**U.S. PATENT DOCUMENTS**

D205,363 S *	7/1966	Penna	.....	D3/255
D259,903 S *	7/1981	Sidewater	.....	D6/351
D272,489 S *	2/1984	Satterfield	.....	D6/351
4,676,551 A *	6/1987	McDowell	.....	297/423.41
D343,074 S *	1/1994	Whiteaker et al.	.....	D6/451
D352,180 S *	11/1994	Collings	.....	D6/351
D371,682 S *	7/1996	Collings	.....	D6/351

5,908,132 A *	6/1999	Pigeon	.....	220/484
5,967,408 A *	10/1999	Garabedian	.....	236/44 R
D425,729 S *	5/2000	Manzak	.....	D6/452
D465,675 S *	11/2002	Bloch et al.	.....	D6/451
D500,606 S *	1/2005	Knapp	.....	D6/351
6,877,817 B1 *	4/2005	Brown	.....	297/461

\* cited by examiner

*Primary Examiner*—Sandra Snapp

(74) *Attorney, Agent, or Firm*—Michael A. O'Neil

(57) **CLAIM**

The ornamental design for a golf bag stool, as shown and described.

**DESCRIPTION**

FIG. 1 is a perspective view of the golf bag stool;

FIG. 2 is a front view of the golf bag stool;

FIG. 3 is a left side view of the golf bag stool. The right side view is a mirror image of the left side view;

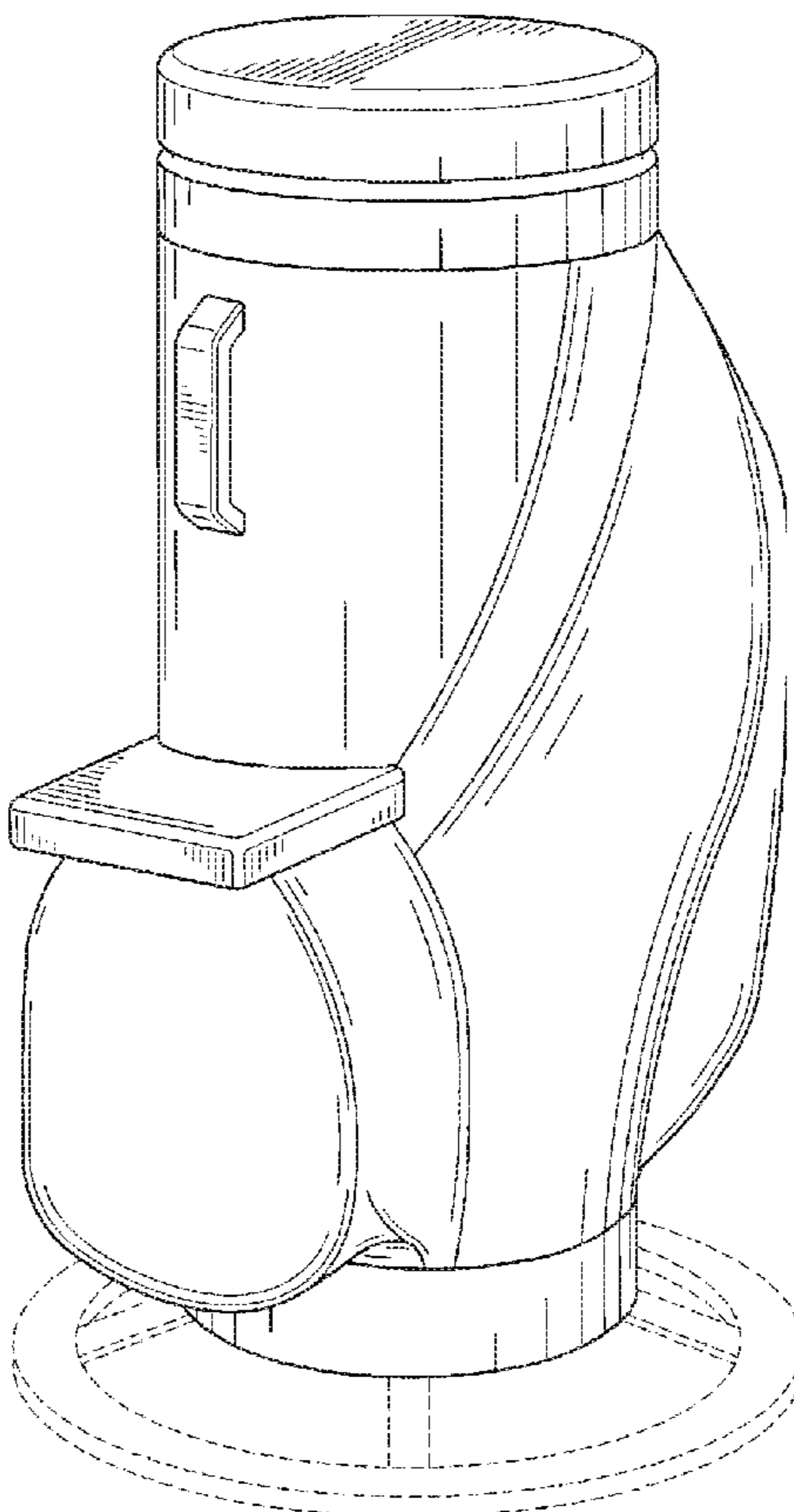
FIG. 4 is a back view of the golf bag stool;

FIG. 5 is a top view of the golf bag stool; and,

FIG. 6 is a bottom view of the golf bag stool.

The broken lines are for illustrative purposes only and form no part of the claimed design.

**1 Claim, 3 Drawing Sheets**



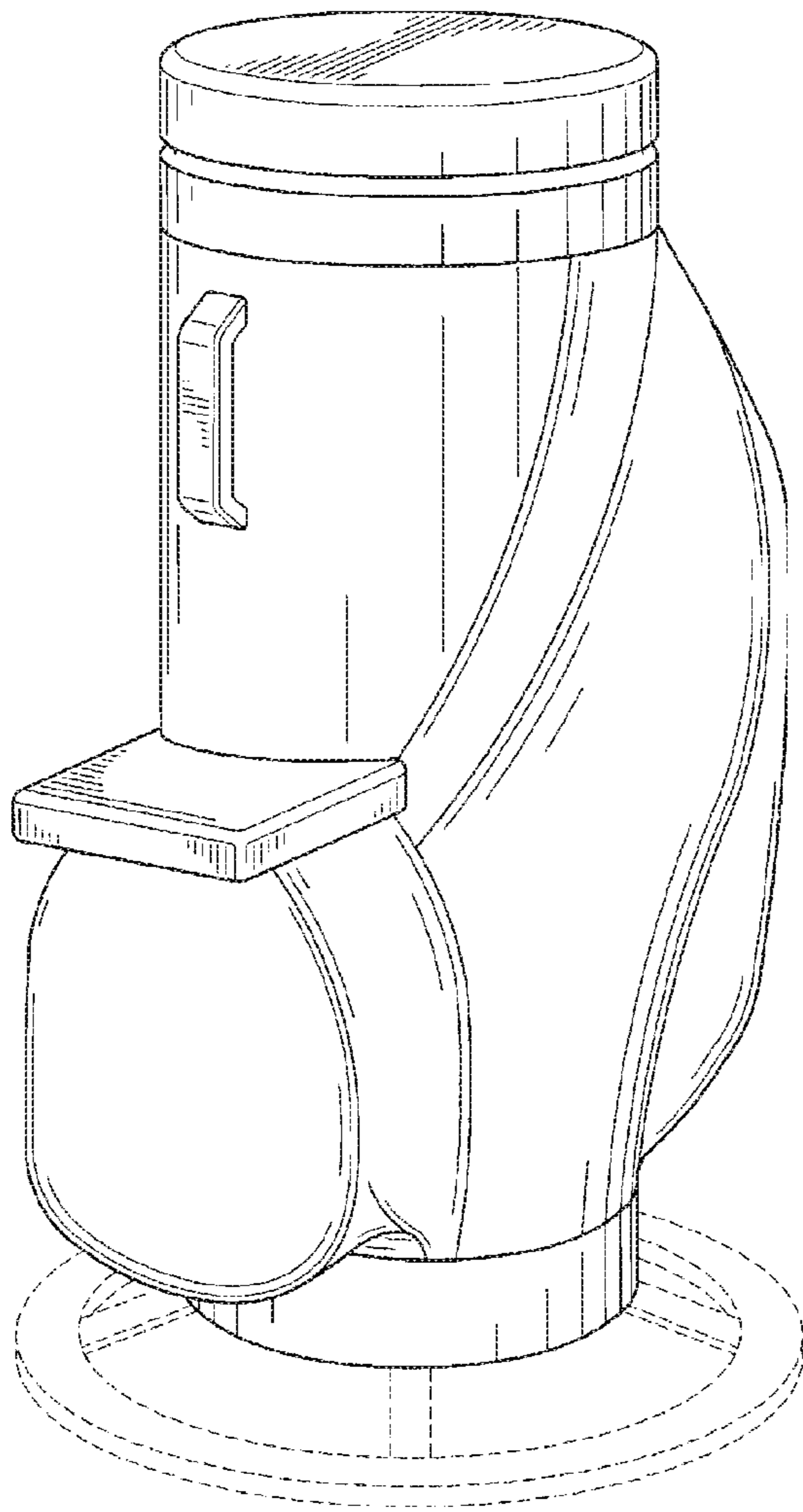


FIG. 1

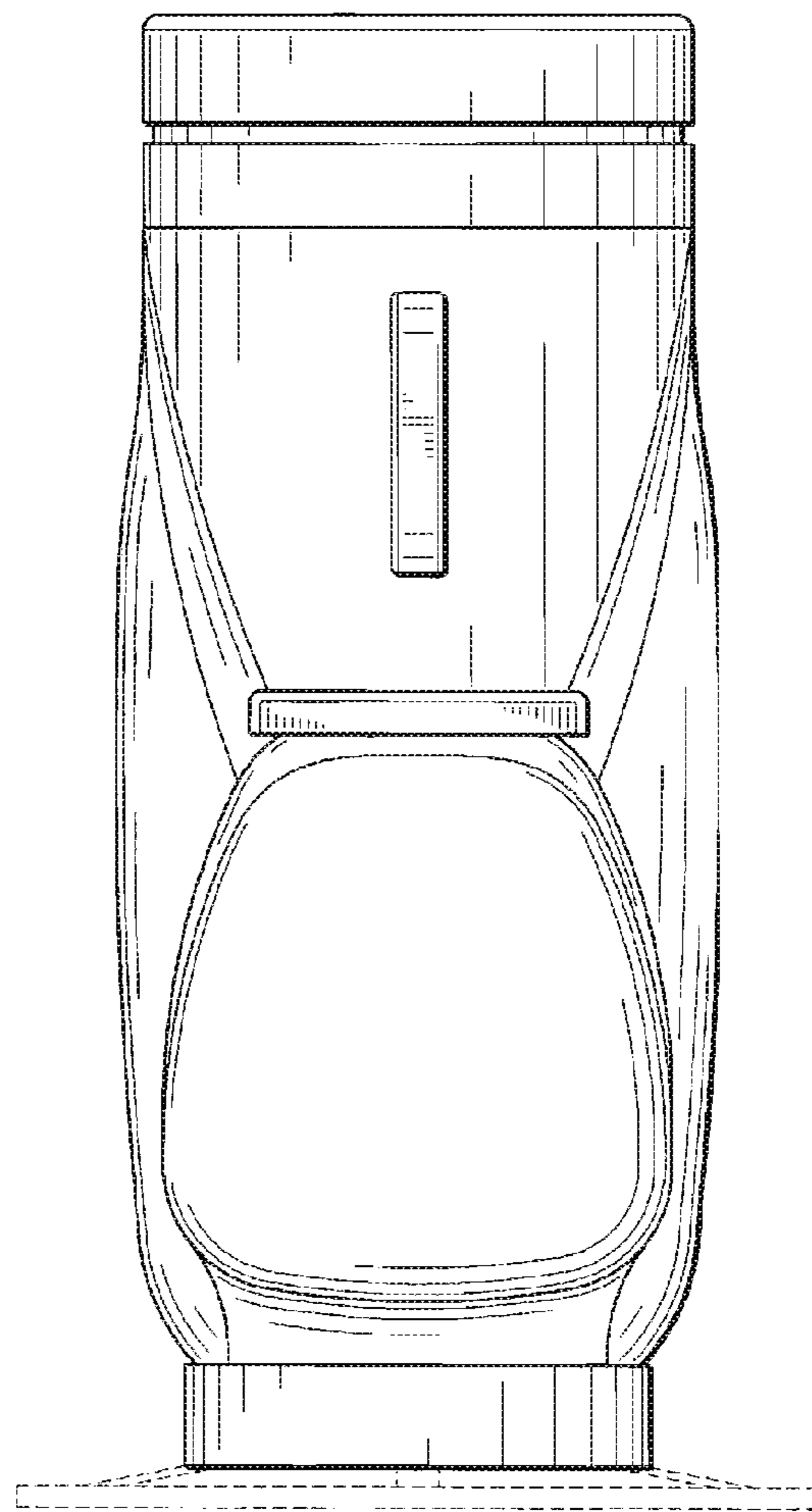
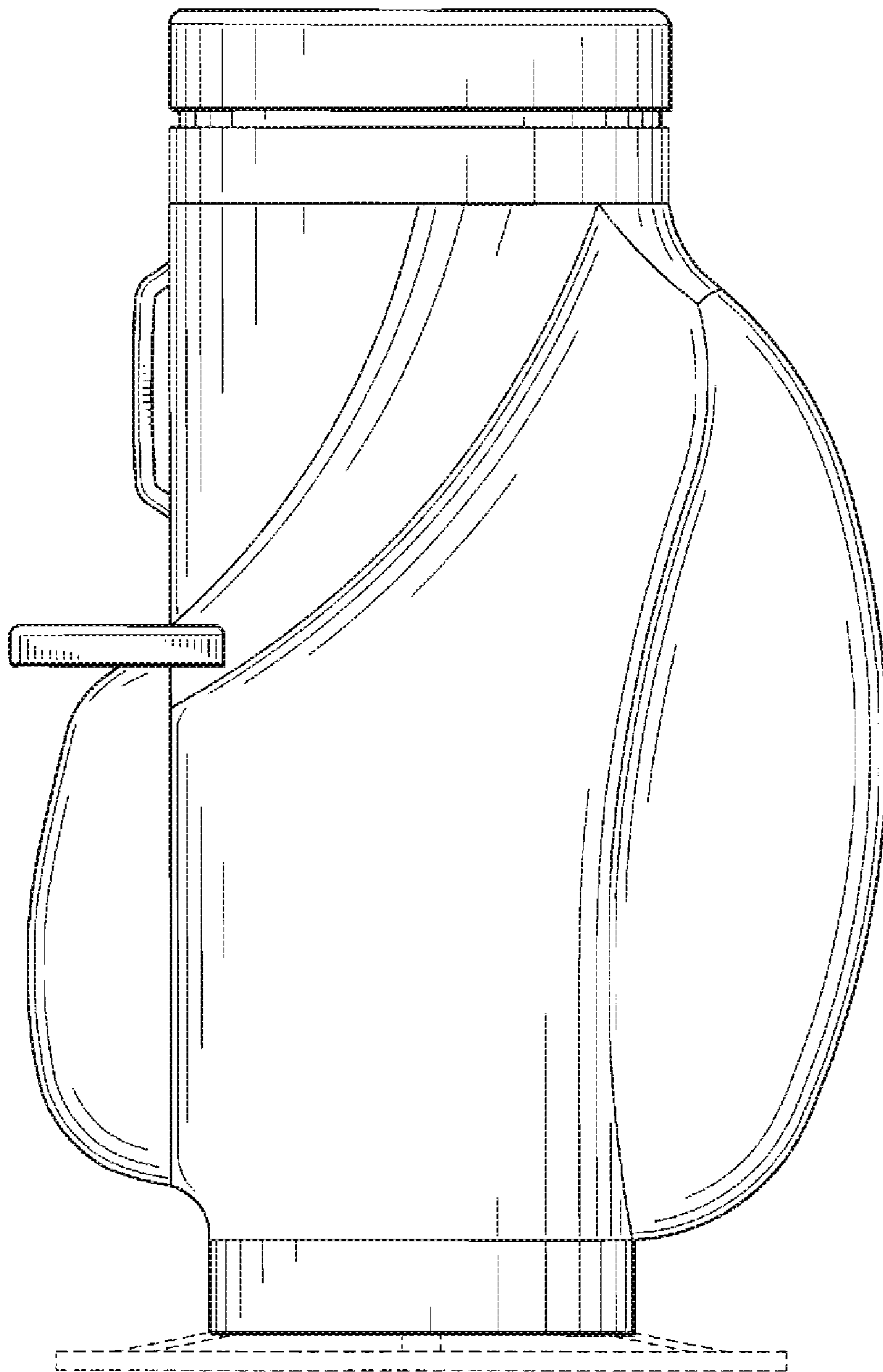


FIG. 2



*FIG. 3*

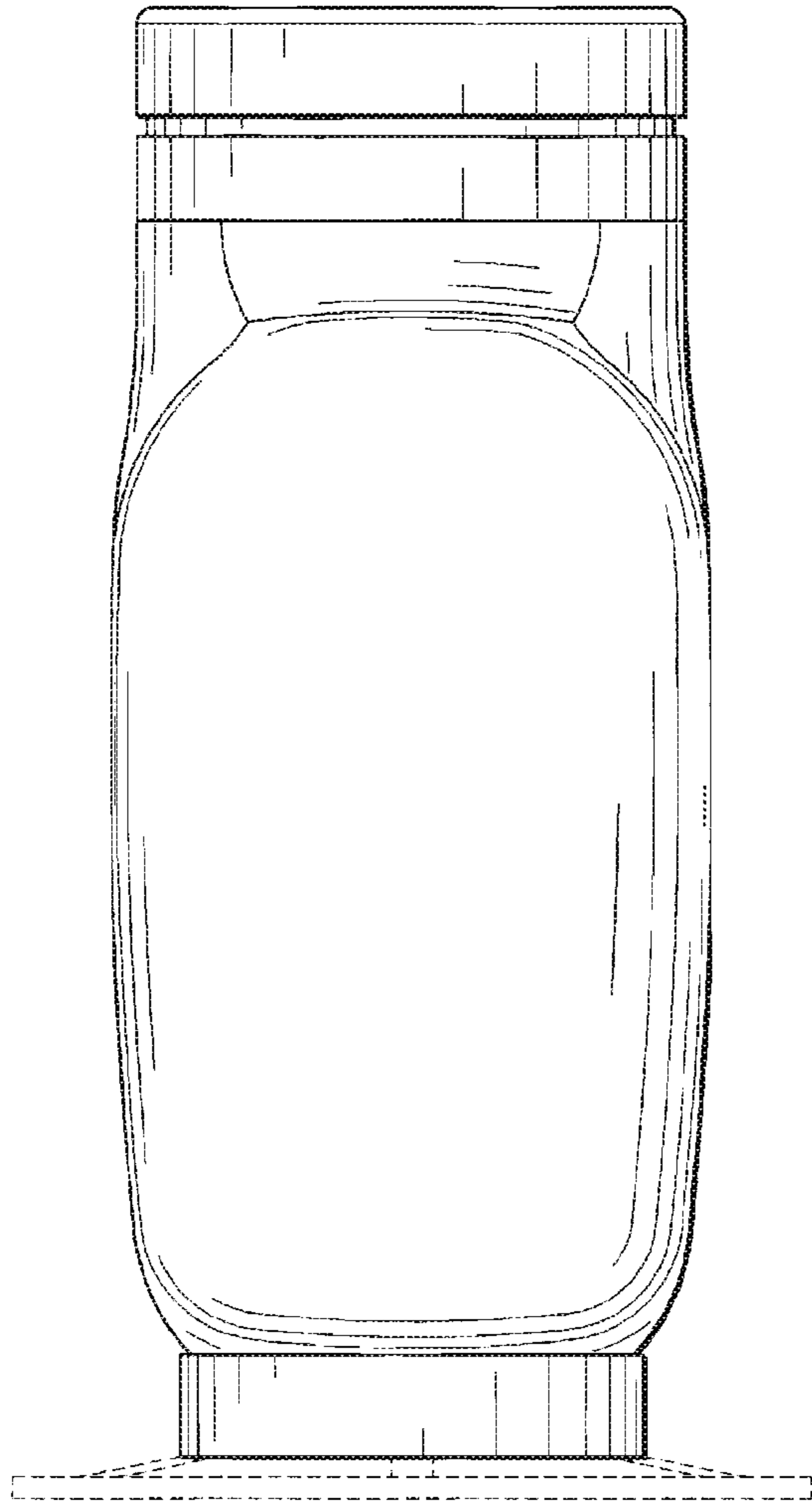


FIG. 4

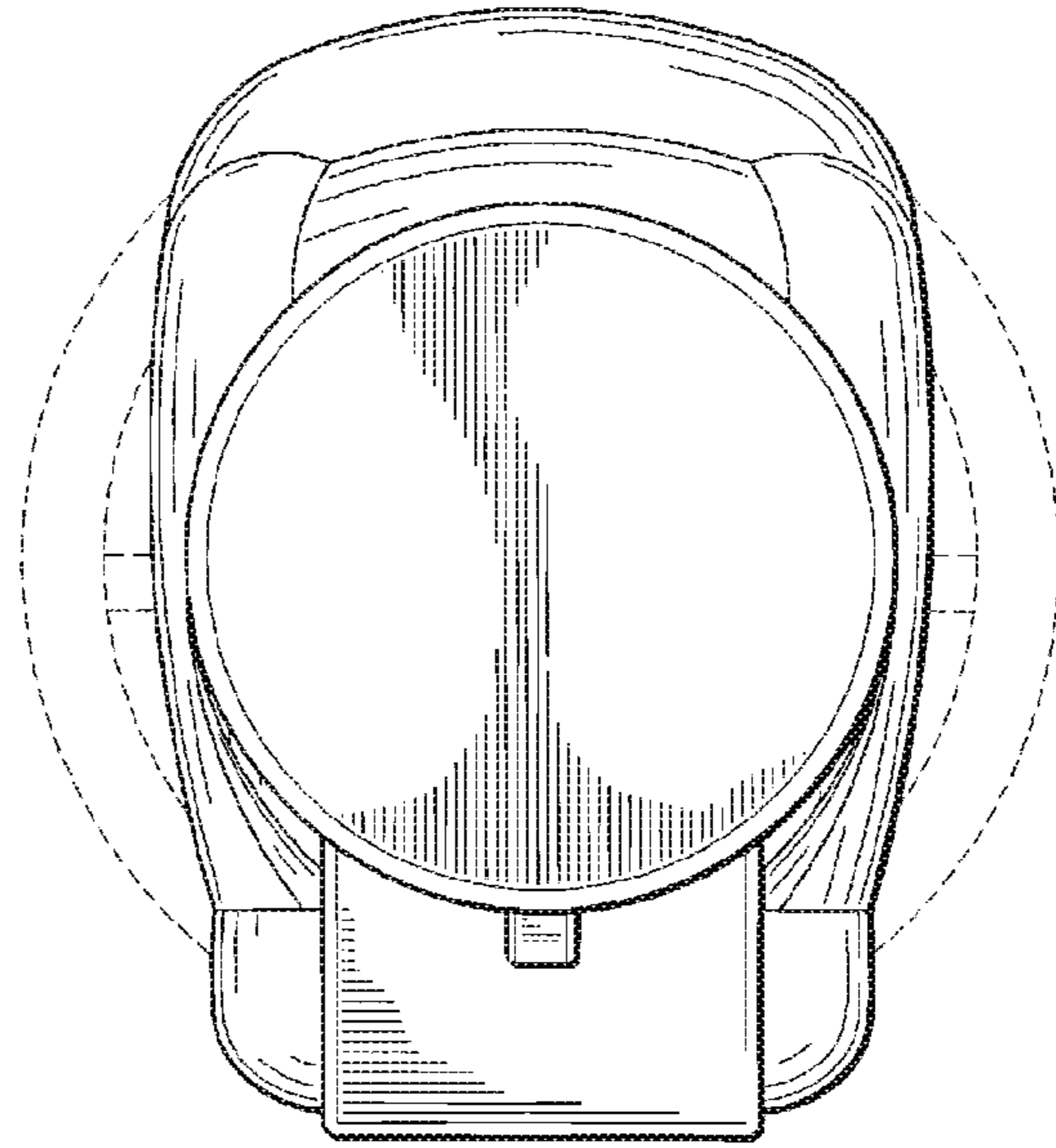


FIG. 5

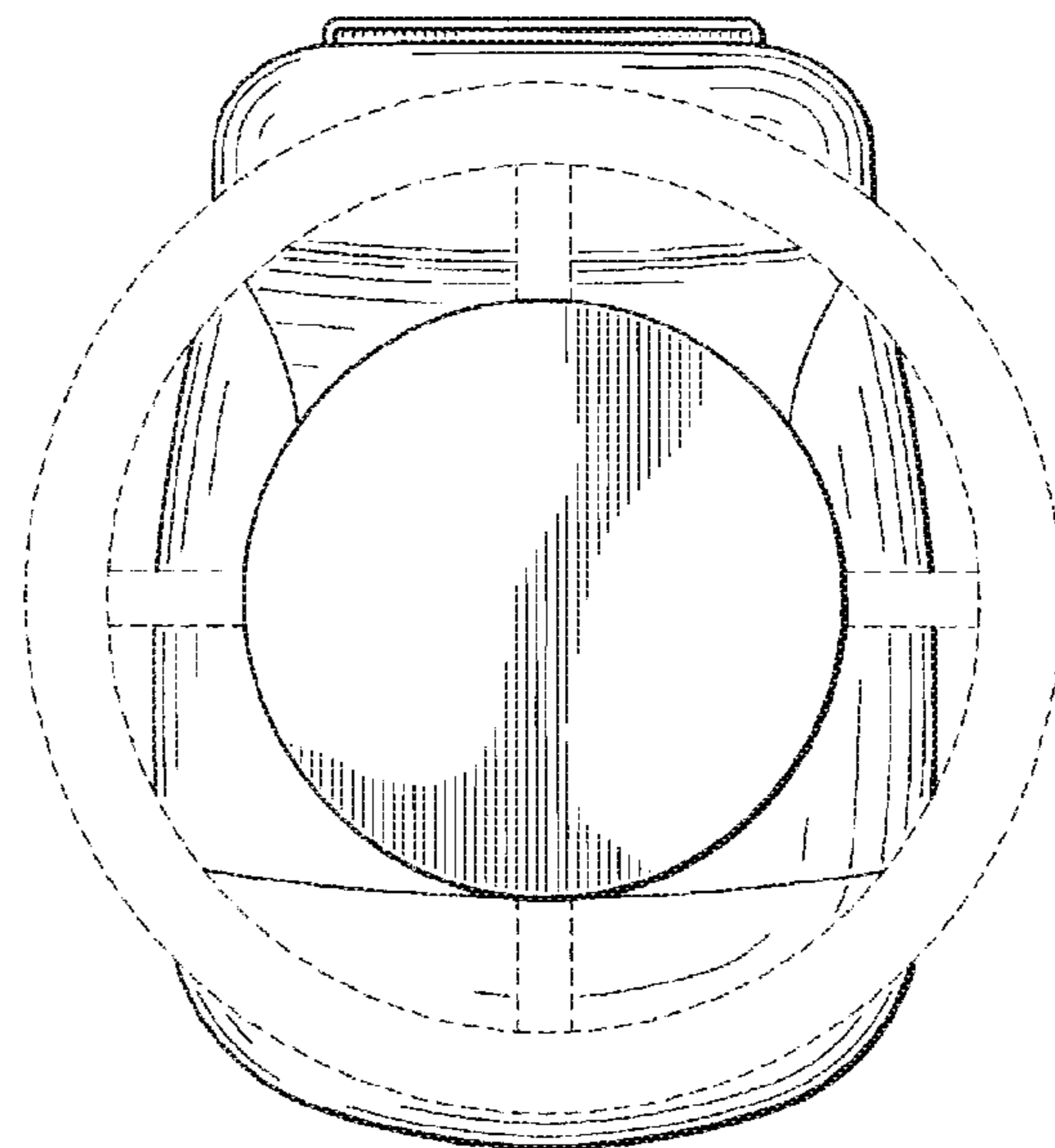


FIG. 6