



US00D557022S

(12) **United States Design Patent**
Desnos

(10) **Patent No.:** **US D557,022 S**
(45) **Date of Patent:** **** Dec. 11, 2007**

(54) **BOOSTER SEAT**

D490,991 S 6/2004 Desnos
D501,096 S 1/2005 Desnos

(75) Inventor: **Albert-Claude Desnos**, Vannes (FR)

(73) Assignee: **Thermobaby**, Auray (FR)

(**) Term: **14 Years**

(21) Appl. No.: **29/242,843**

(22) Filed: **Nov. 16, 2005**

(30) **Foreign Application Priority Data**

May 17, 2005 (EM) 000347448-0001

(51) **LOC (8) Cl.** **06-01**

(52) **U.S. Cl.** **D6/333**

(58) **Field of Classification Search** D6/333-339,
D6/360, 375, 380, 500-502; 297/1-4, 21-25,
297/28, 61, 64, 66, 68, 69, 92, 93, 118, 127-130,
297/135, 136, 148, 153, 156, 166, 168-173,
297/174 R, 174 CS, 188.18, 200, 209, 214,
297/215.12, 215.16, 216.11, 216.12, 250.1,
297/251, 252, 256.1, 256.11-256.17, 274-279,
297/283.1; 446/104, 118, 482

See application file for complete search history.

(56) **References Cited**

U.S. PATENT DOCUMENTS

D468,913 S 1/2003 Desnos

Primary Examiner—T. Chase Nelson

Assistant Examiner—Karen Acker

(74) *Attorney, Agent, or Firm*—Greenblum & Bernstein,
P.L.C.

(57) **CLAIM**

I claim the ornamental design for a booster seat, as shown
and described.

DESCRIPTION

FIG. 1 is a front side perspective view of the design;

FIG. 2 is a front view of the design;

FIG. 3 is a rear view of the design;

FIG. 4 is a left side view of the design;

FIG. 5 is a right side view of the design;

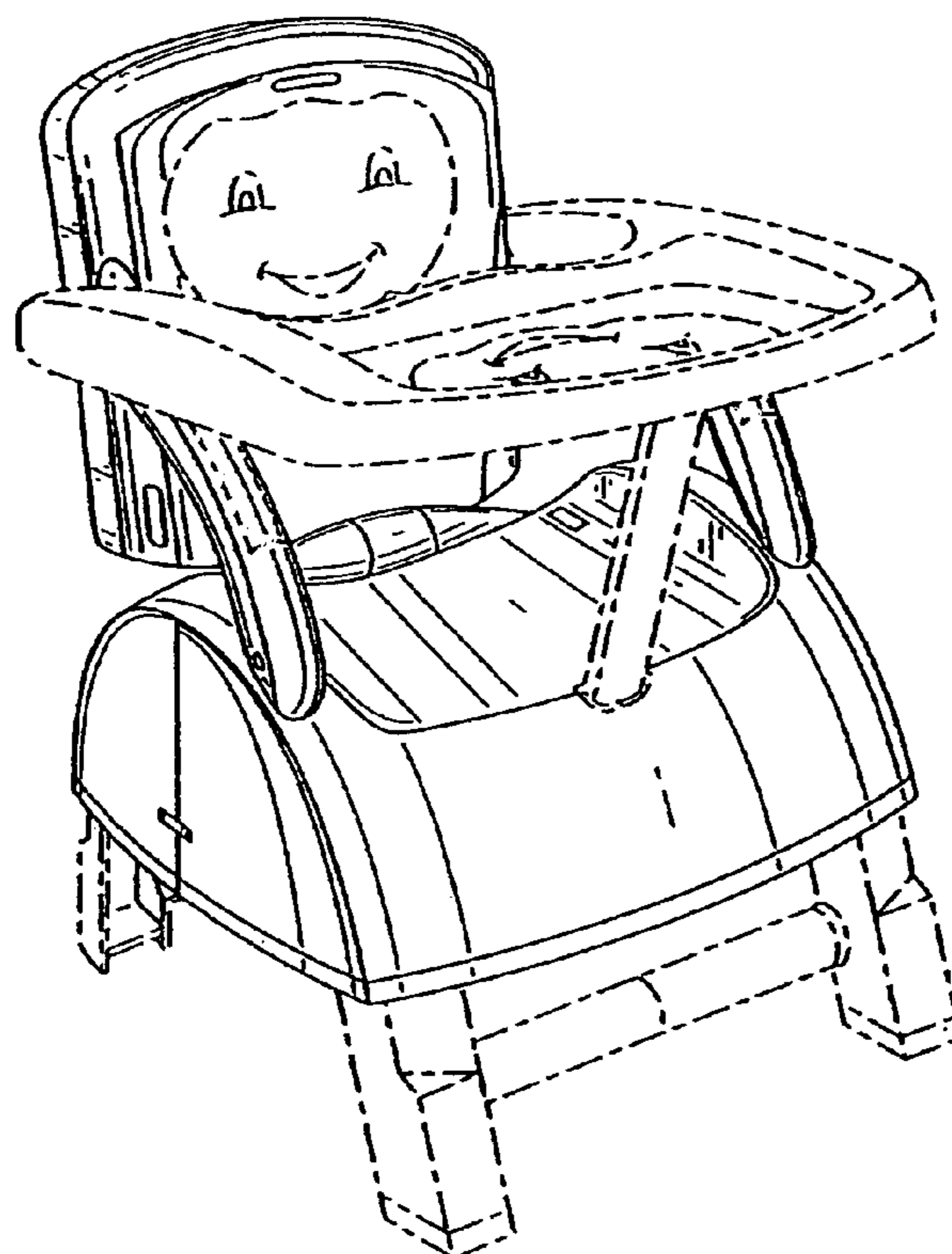
FIG. 6 is a top view of the design; and,

FIG. 7 is a bottom view of the design.

The broken lines throughout the figure views are for illustrative purposes only and form no part of the claimed design.

Any surfaces of the design not shown, including interior surfaces, form no part of the claimed invention.

1 Claim, 7 Drawing Sheets



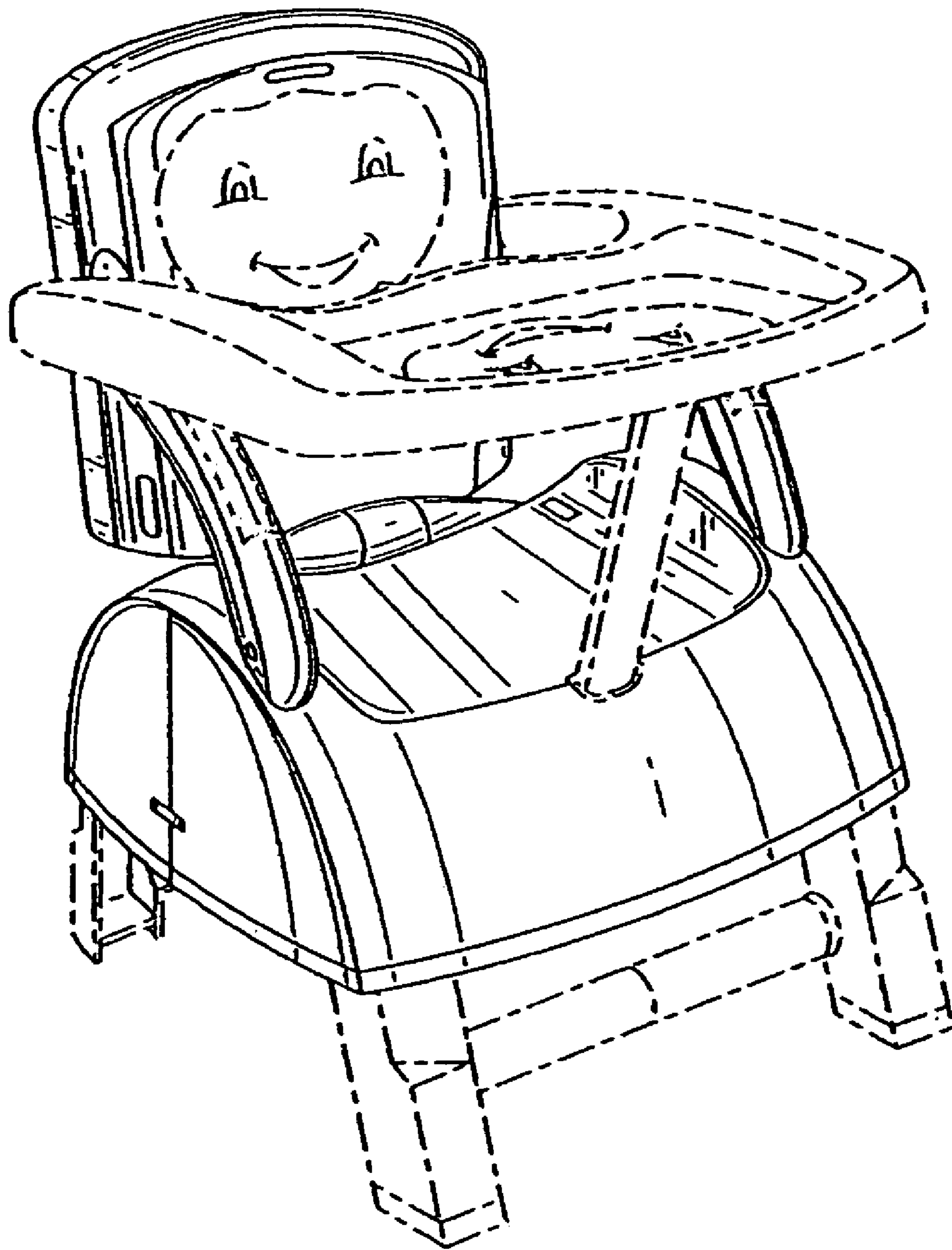


FIG. 1

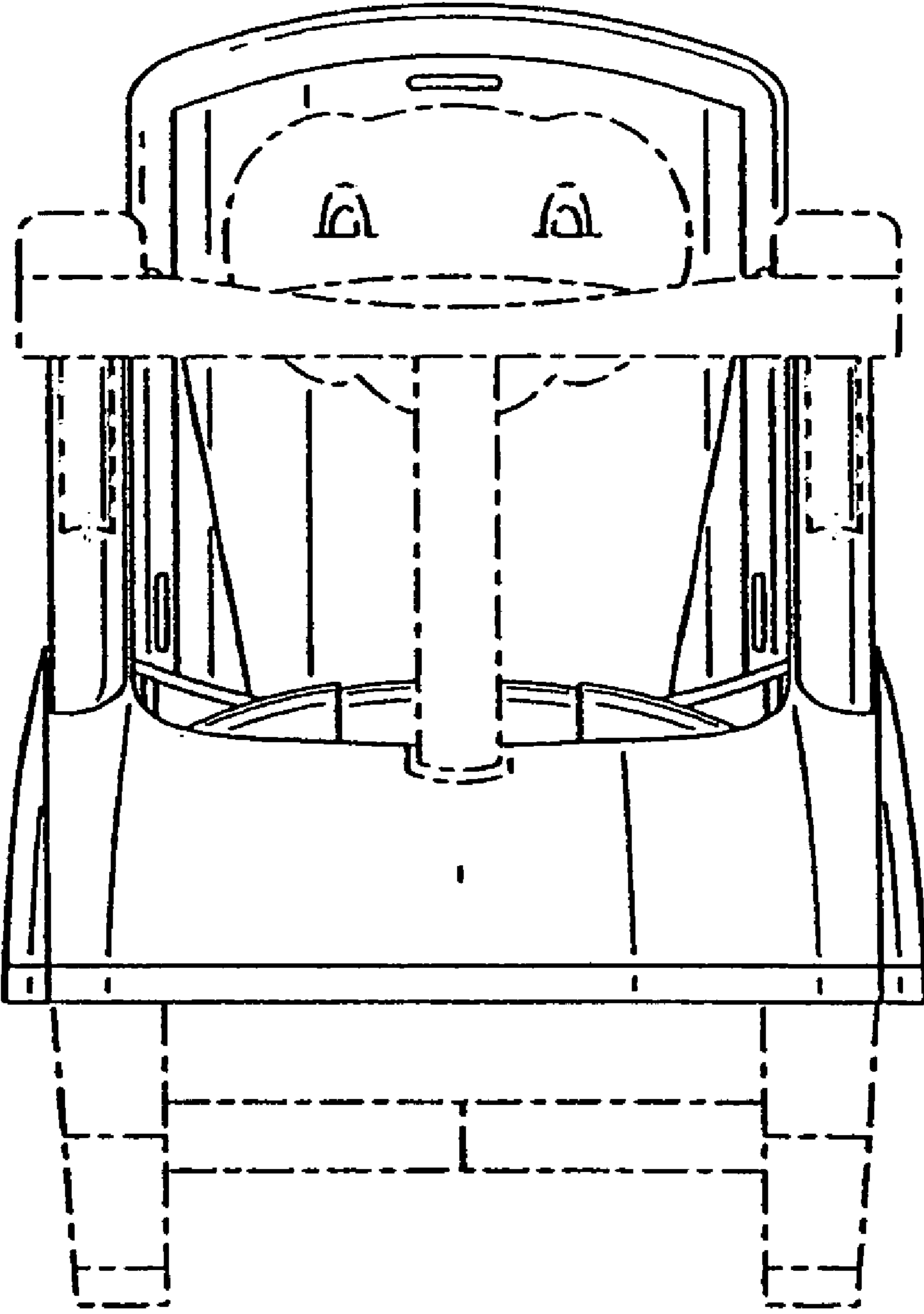


FIG. 2

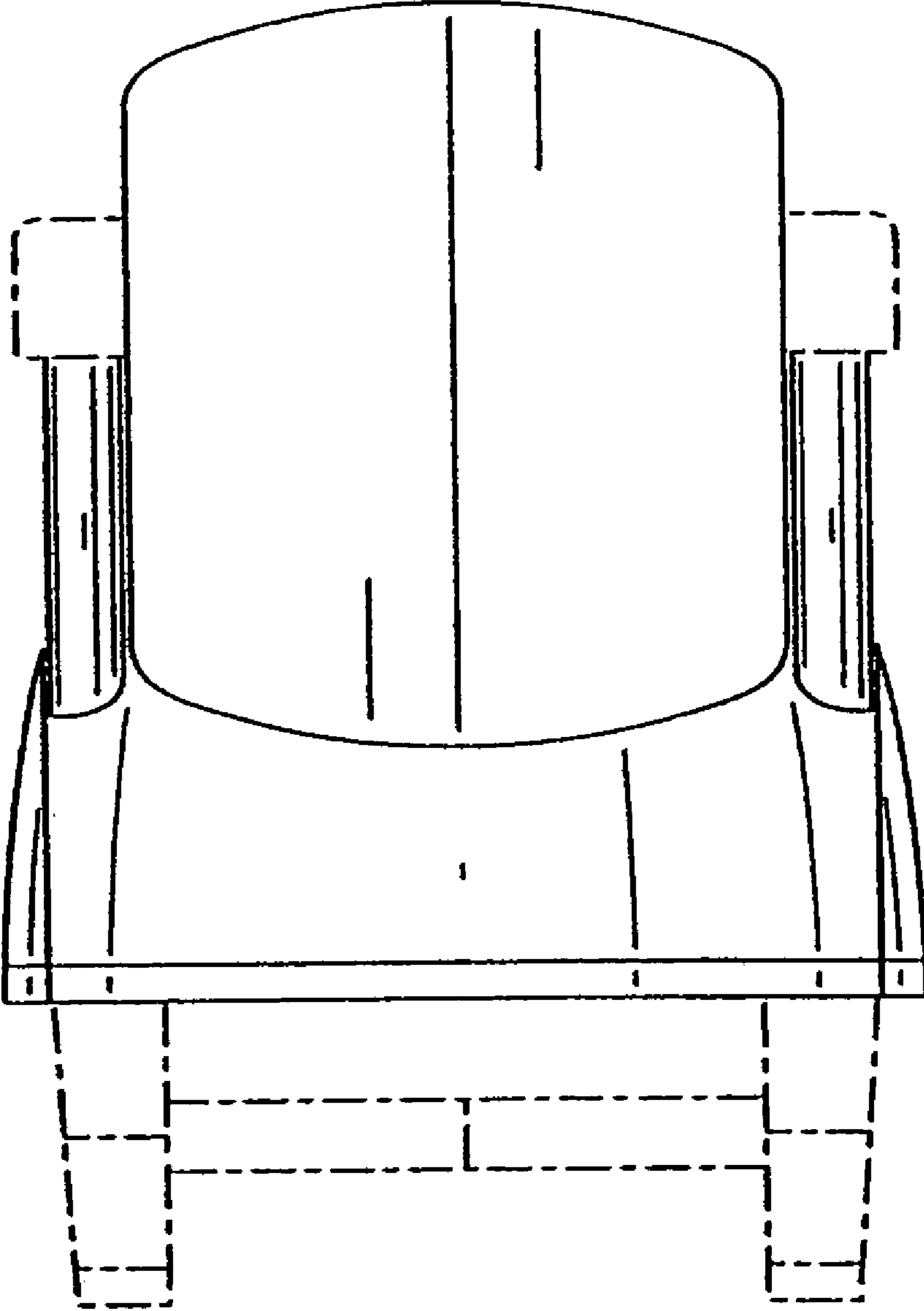


FIG. 3

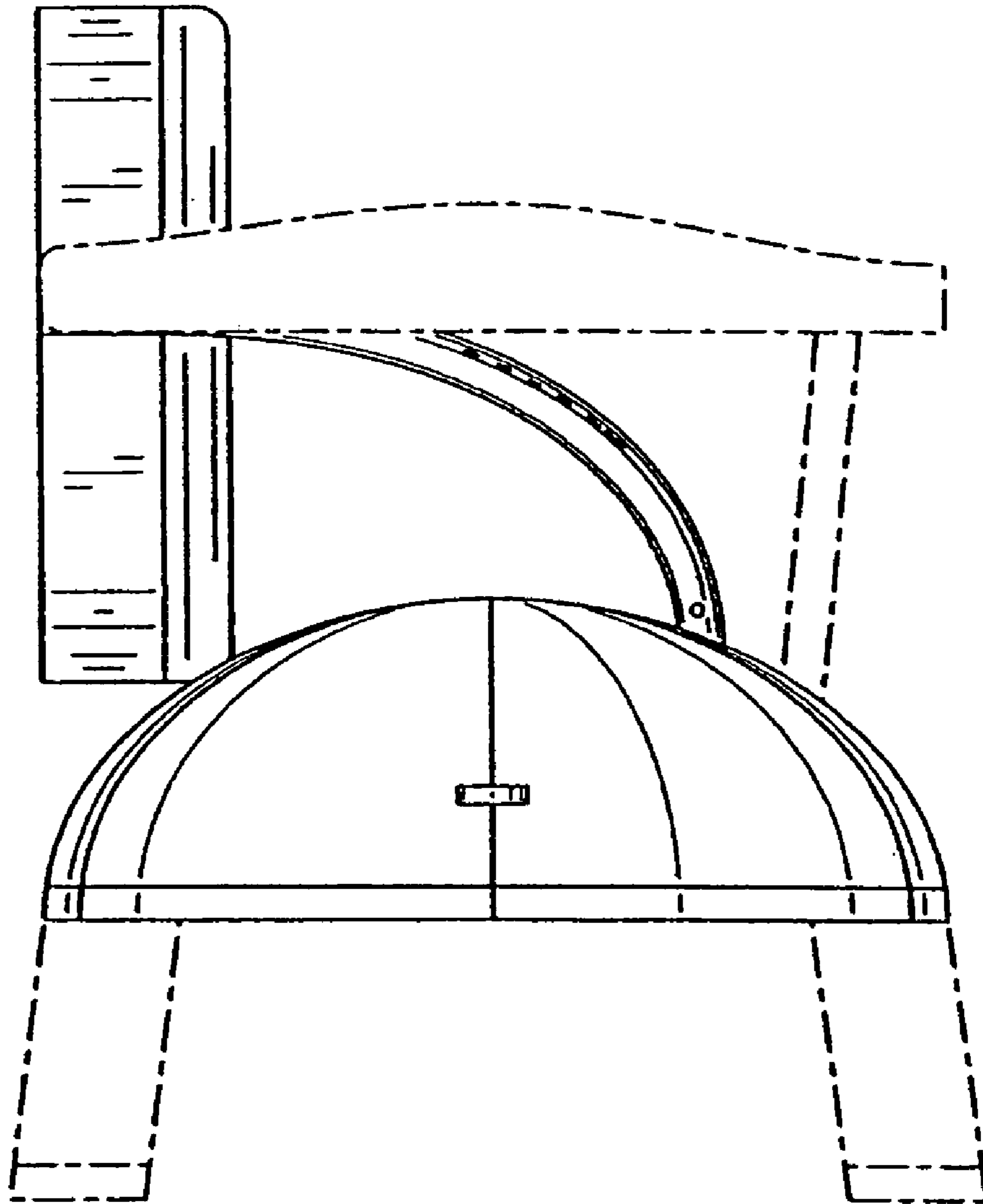


FIG. 4

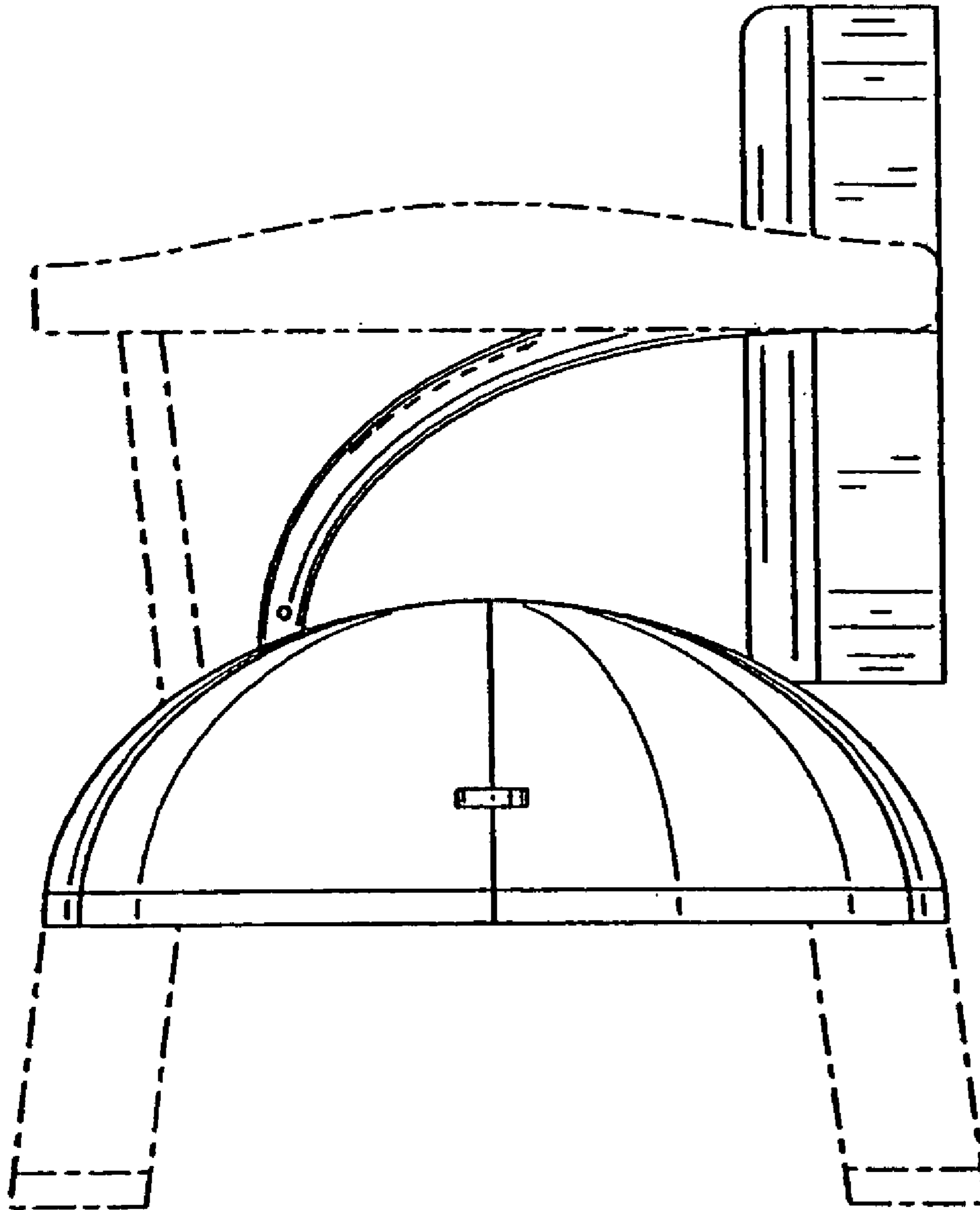


FIG. 5

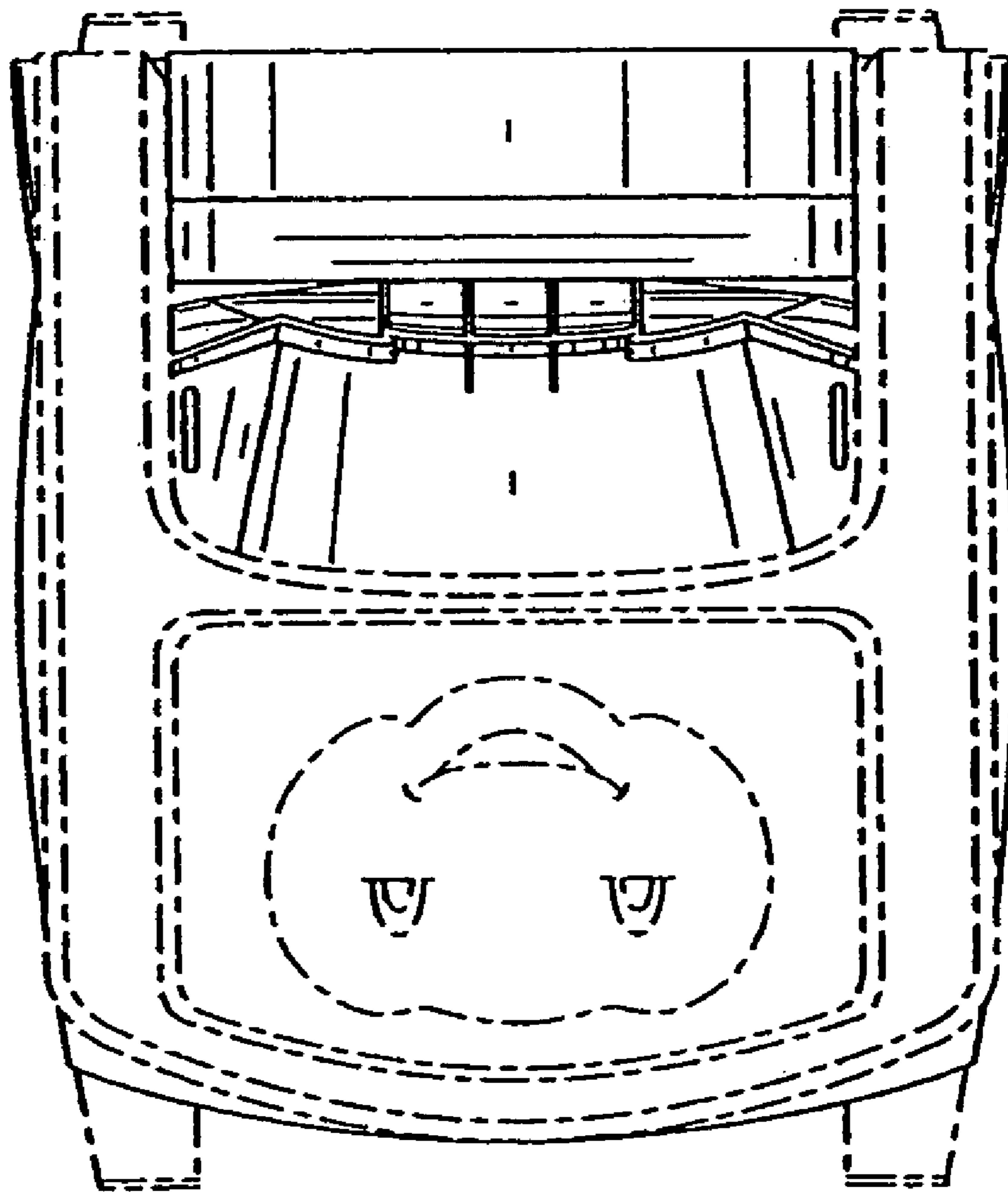


FIG. 6

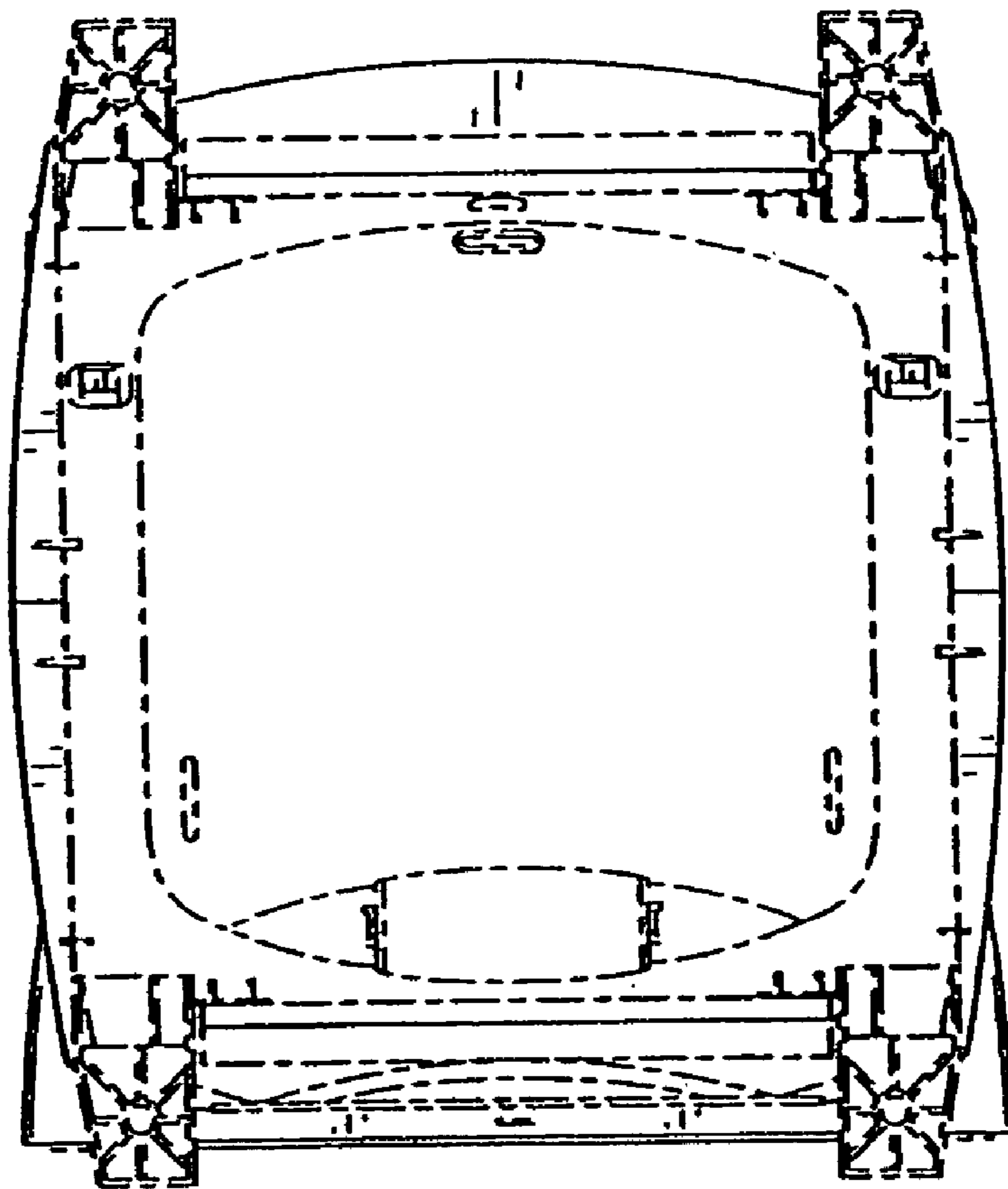


FIG. 7