



US00D557019S

(12) **United States Design Patent**
Gaiti

(10) **Patent No.:** **US D557,019 S**

(45) **Date of Patent:** **** Dec. 11, 2007**

(54) **BRUSH**

(75) Inventor: **Giorgio Gaiti**, Correggio (IT)

(73) Assignee: **G.F. SRL**, Correggio, RE (IT)

(**) Term: **14 Years**

(21) Appl. No.: **29/233,031**

(22) Filed: **Jun. 28, 2005**

(30) **Foreign Application Priority Data**

Apr. 27, 2005 (EM) 000335229

(51) **LOC (8) Cl.** **04-01**

(52) **U.S. Cl.** **D4/134; D14/114**

(58) **Field of Classification Search** D4/114,
D4/115, 130, 132, 134; 15/159.1, 160, 186,
15/187, 207.2; 401/40-43, 46, 268, 270,
401/271, 277-281, 289

See application file for complete search history.

(56) **References Cited**

U.S. PATENT DOCUMENTS

3,405,997 A * 10/1968 Diebold 401/46

D295,921 S * 5/1988 Spadotto et al. D4/115

D315,251 S * 3/1991 Clivio D4/115

* cited by examiner

Primary Examiner—Alan P. Douglas

Assistant Examiner—Lavone D. Tabor

(74) *Attorney, Agent, or Firm*—Young & Thompson

(57) **CLAIM**

The ornamental design for a brush, as shown and described.

DESCRIPTION

FIG. 1 is a top, front and side perspective view of a brush, showing my new design;

FIG. 2 is a reduced side elevational view thereof;

FIG. 3 is a reduced side elevational view thereof from the side opposite that shown in FIG. 2;

FIG. 4 is a reduced top plan view thereof;

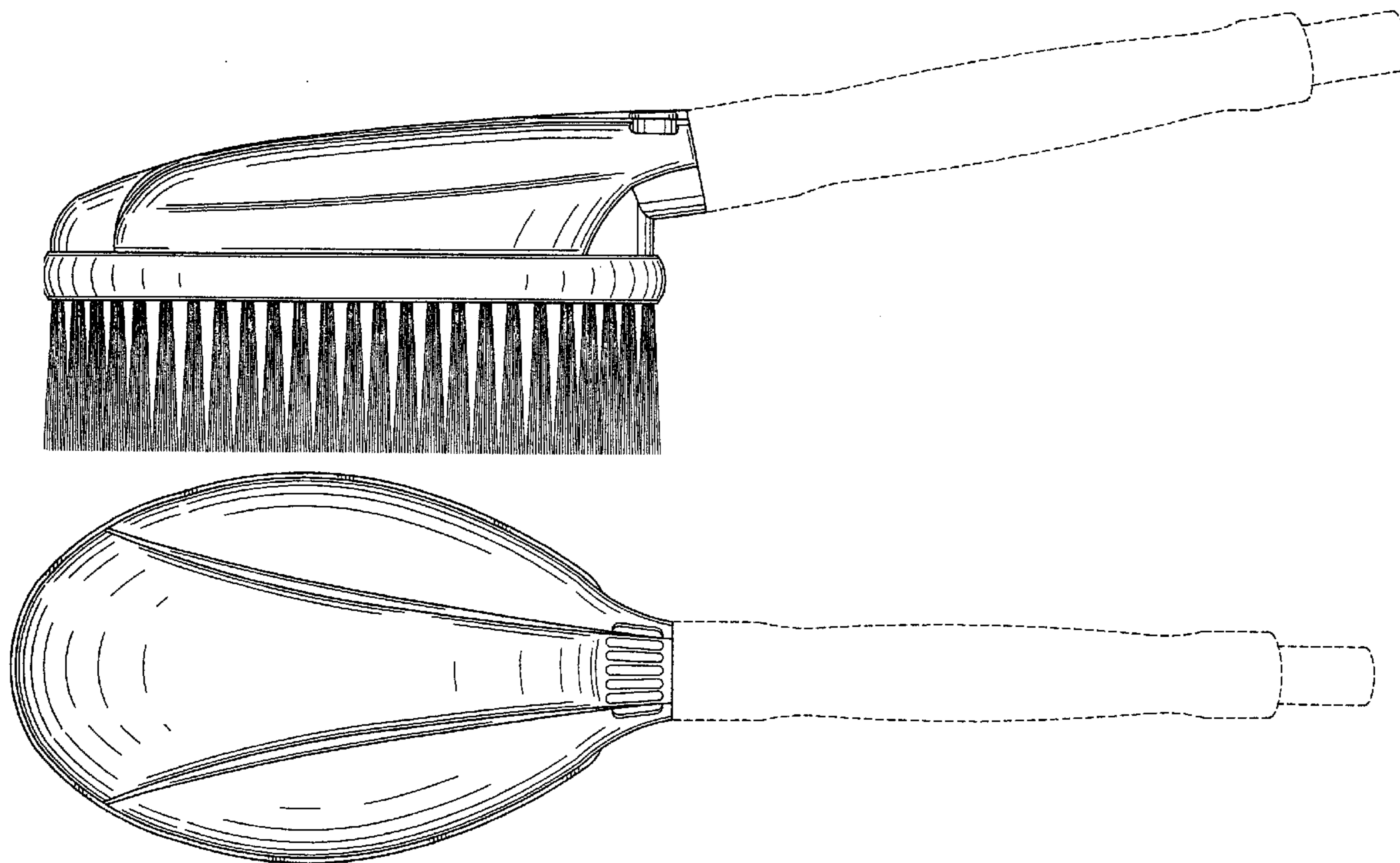
FIG. 5 is a reduced front end elevational view thereof;

FIG. 6 is a reduced rear end elevational view thereof; and,

FIG. 7 is a reduced bottom plan view thereof.

The broken line representation of a handle forms no part of the claimed design.

1 Claim, 6 Drawing Sheets



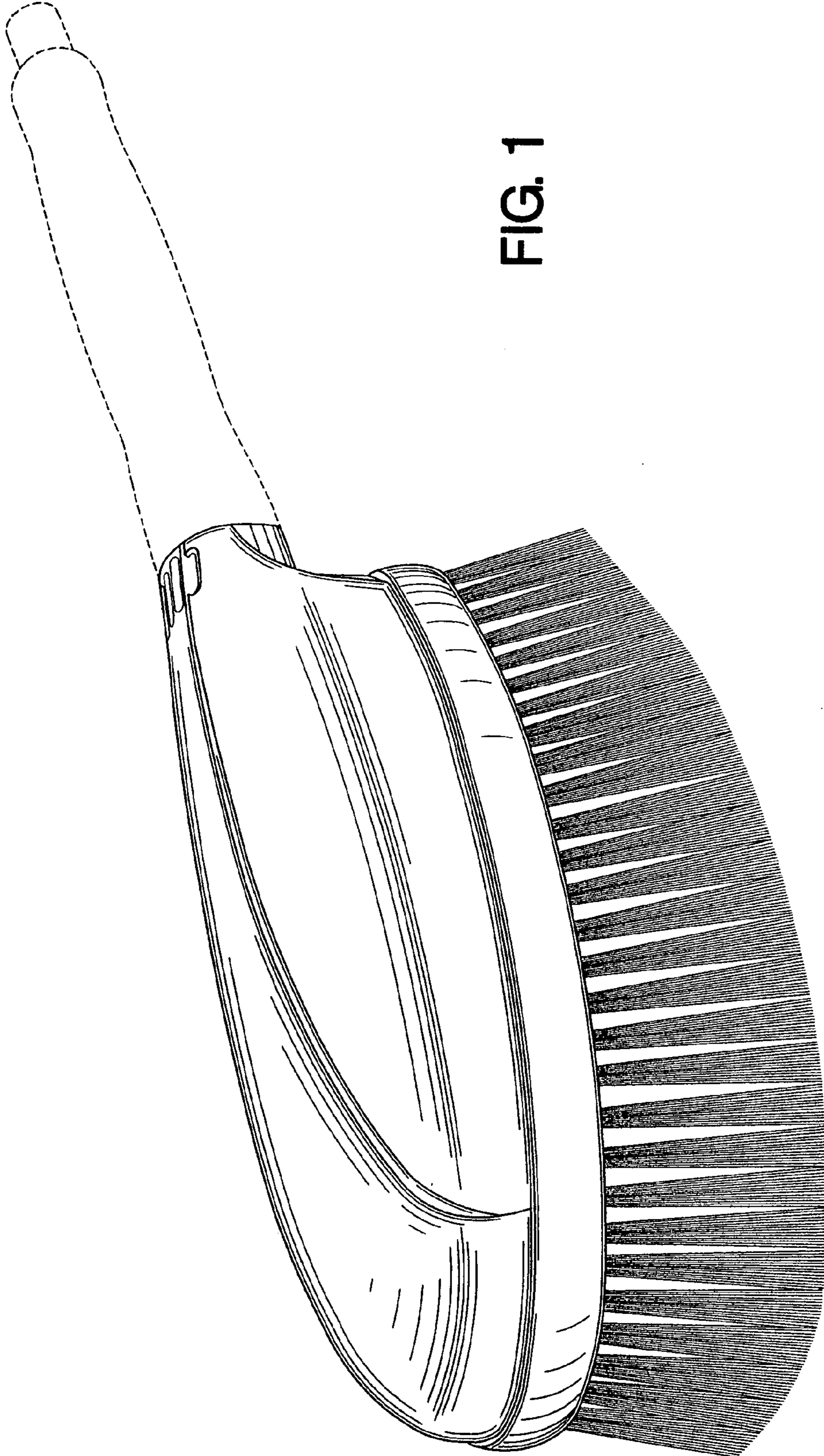


FIG. 1

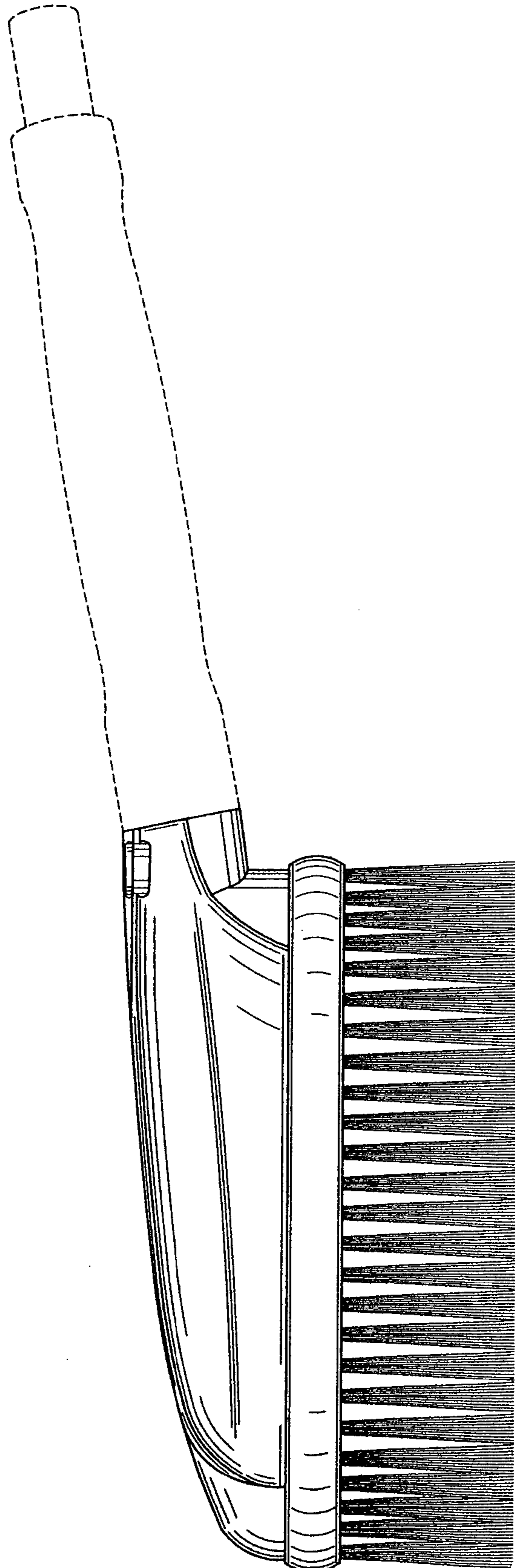


FIG. 2

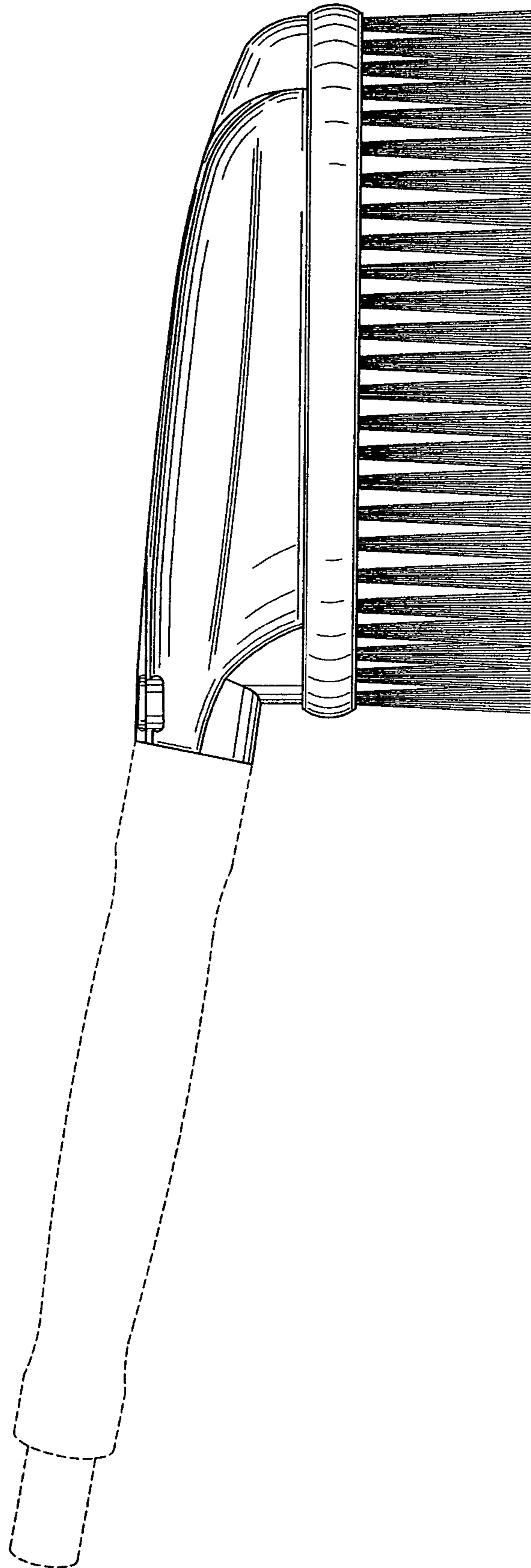


FIG. 3

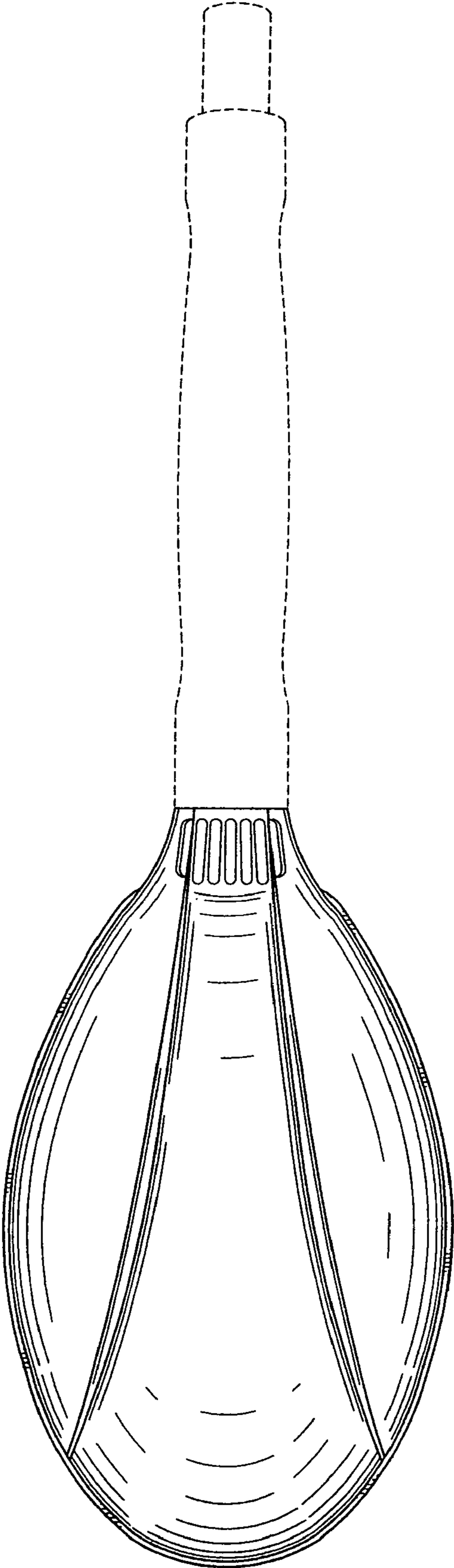


FIG. 4

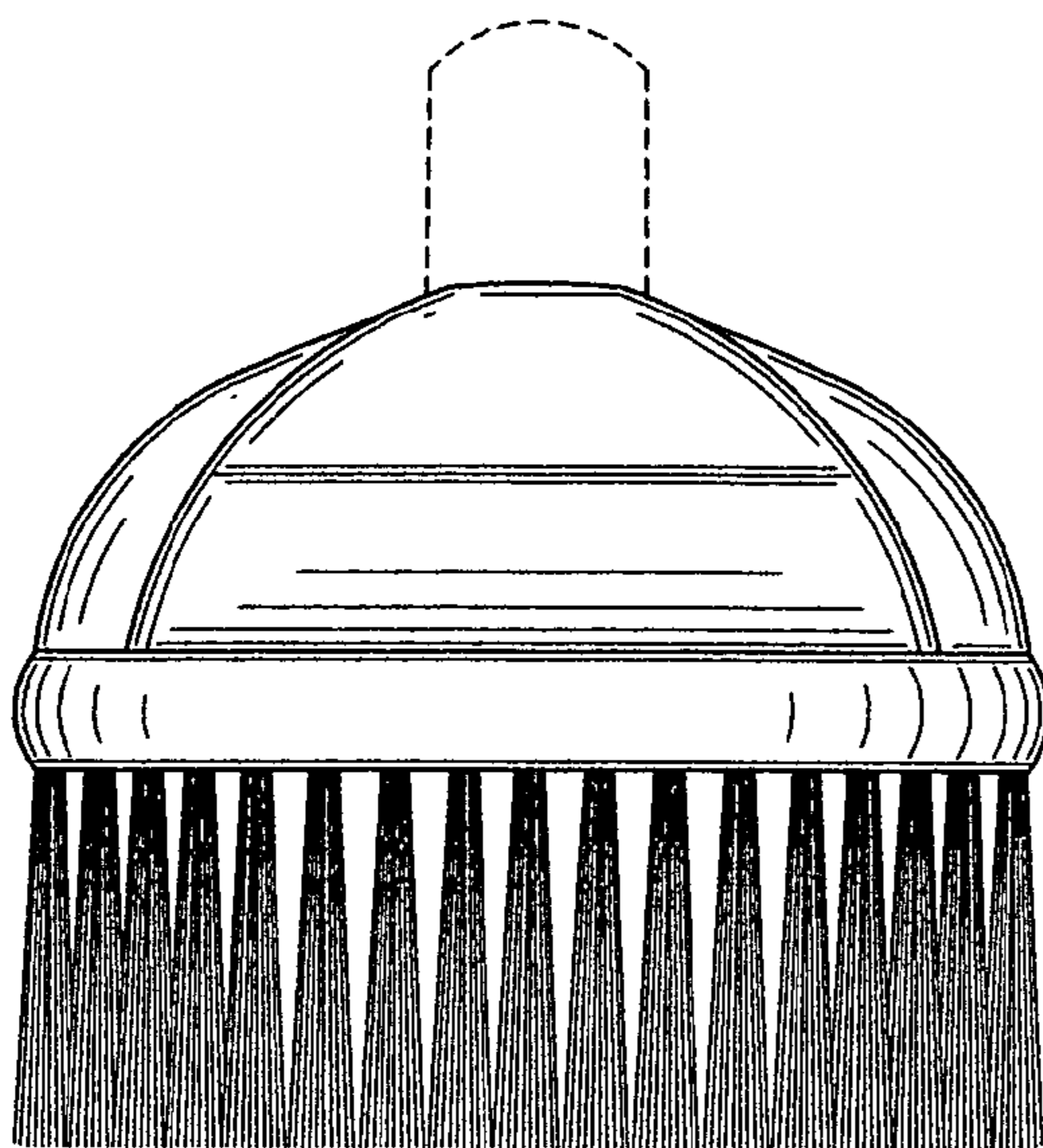


FIG. 5

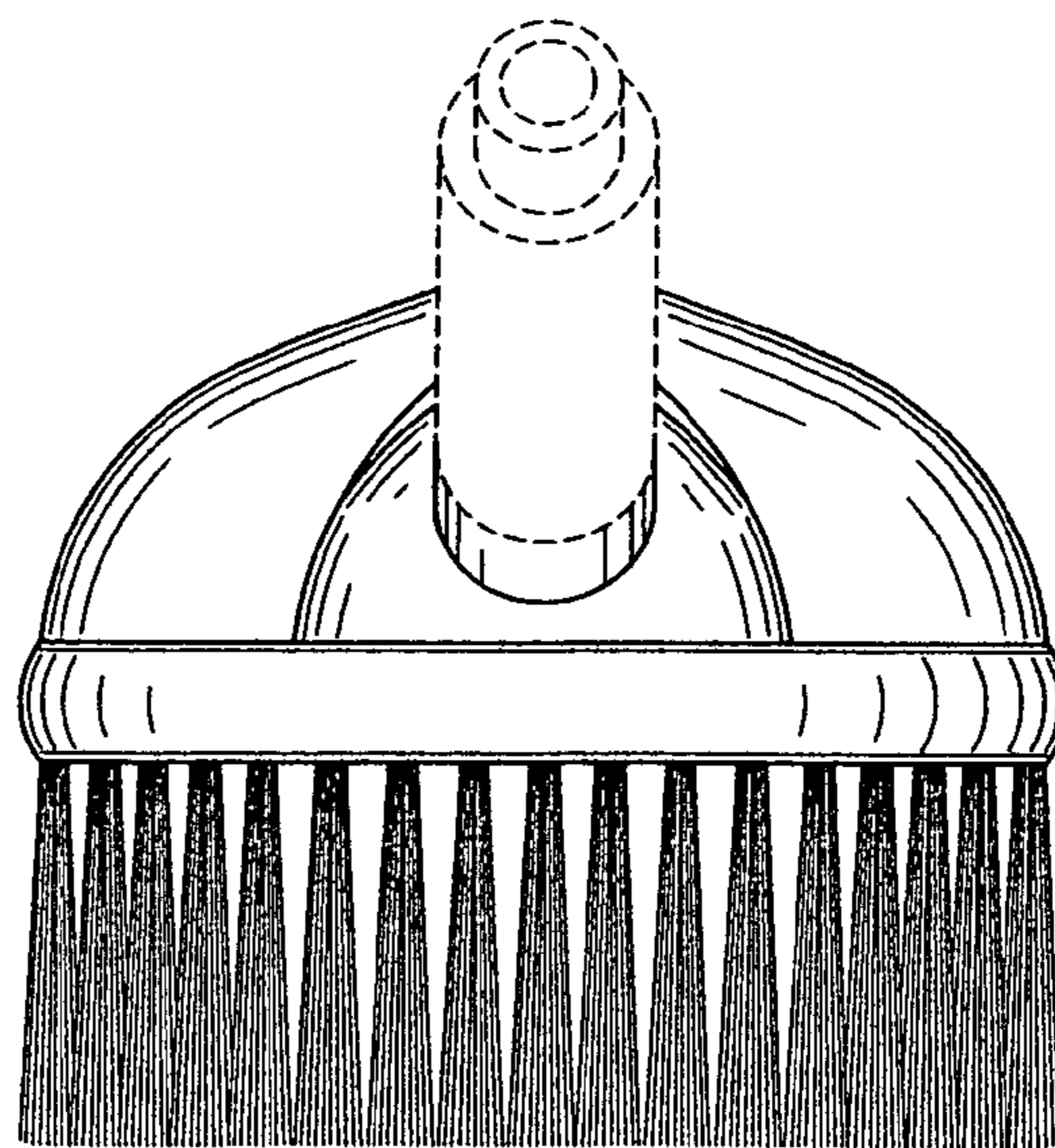


FIG. 6

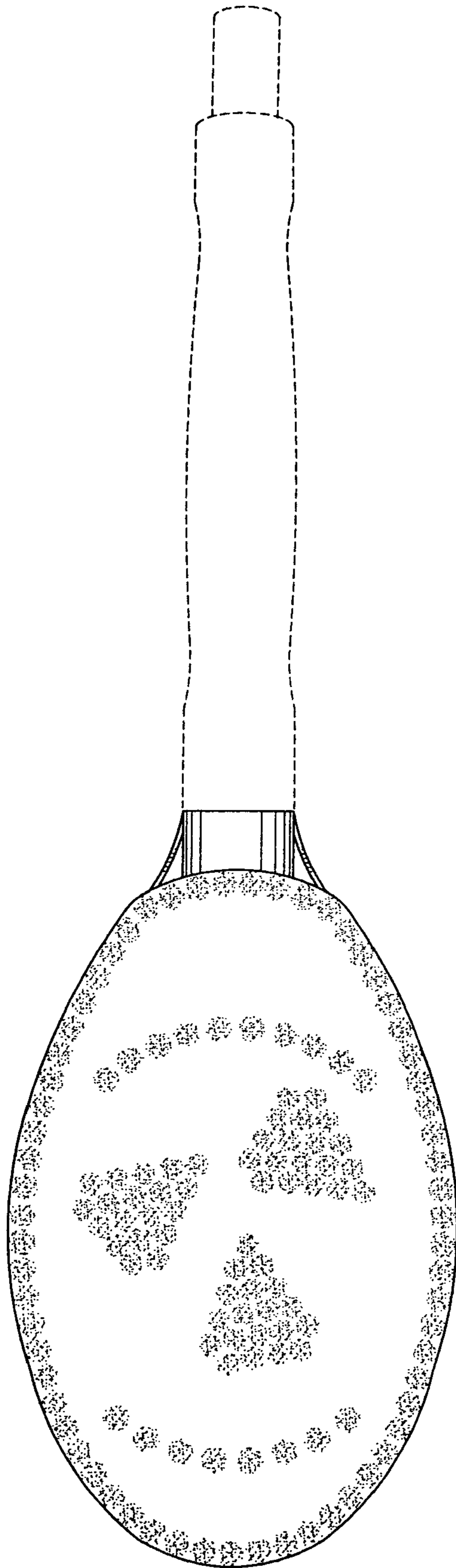


FIG. 7