



US00D557016S

(12) **United States Design Patent** (10) **Patent No.:** **US D557,016 S**  
**Garland et al.** (45) **Date of Patent:** **\*\* Dec. 11, 2007**

(54) **NAIL BRUSH** D285,627 S \* 9/1986 Ballard ..... D4/120

(75) Inventors: **Tylor Garland**, Studio City, CA (US);  
**Patrick Burgess**, Jalisco (MX); **Aldis Rauda**, West Hollywood, CA (US);  
**Stan Chudzik**, Alpharetta, GA (US)

FOREIGN PATENT DOCUMENTS  
DE 936385 \* 12/1955  
GB 503744 \* 4/1939

(73) Assignee: **Goody Products, Inc.**, Freeport, IL (US)

\* cited by examiner

(\*\*) Term: **14 Years**

*Primary Examiner*—Cathron C. Brooks  
*Assistant Examiner*—Lavone D. Tabor  
(74) *Attorney, Agent, or Firm*—Marshall, Gerstein & Borun LLP

(21) Appl. No.: **29/275,609**

(22) Filed: **Dec. 30, 2006**

(57) **CLAIM**

(51) **LOC (8) Cl.** ..... **04-01**

The ornamental design for “nail brush,” as shown and described.

(52) **U.S. Cl.** ..... **D4/120; D4/129; D4/136**

(58) **Field of Classification Search** ..... D4/119,  
D4/120, 129, 130, 136, 138; D28/57; 15/106,  
15/143.1, 159.1, 160, 167.1, 167.3, 186–188;  
132/75.3, 75.6, 313

See application file for complete search history.

**DESCRIPTION**

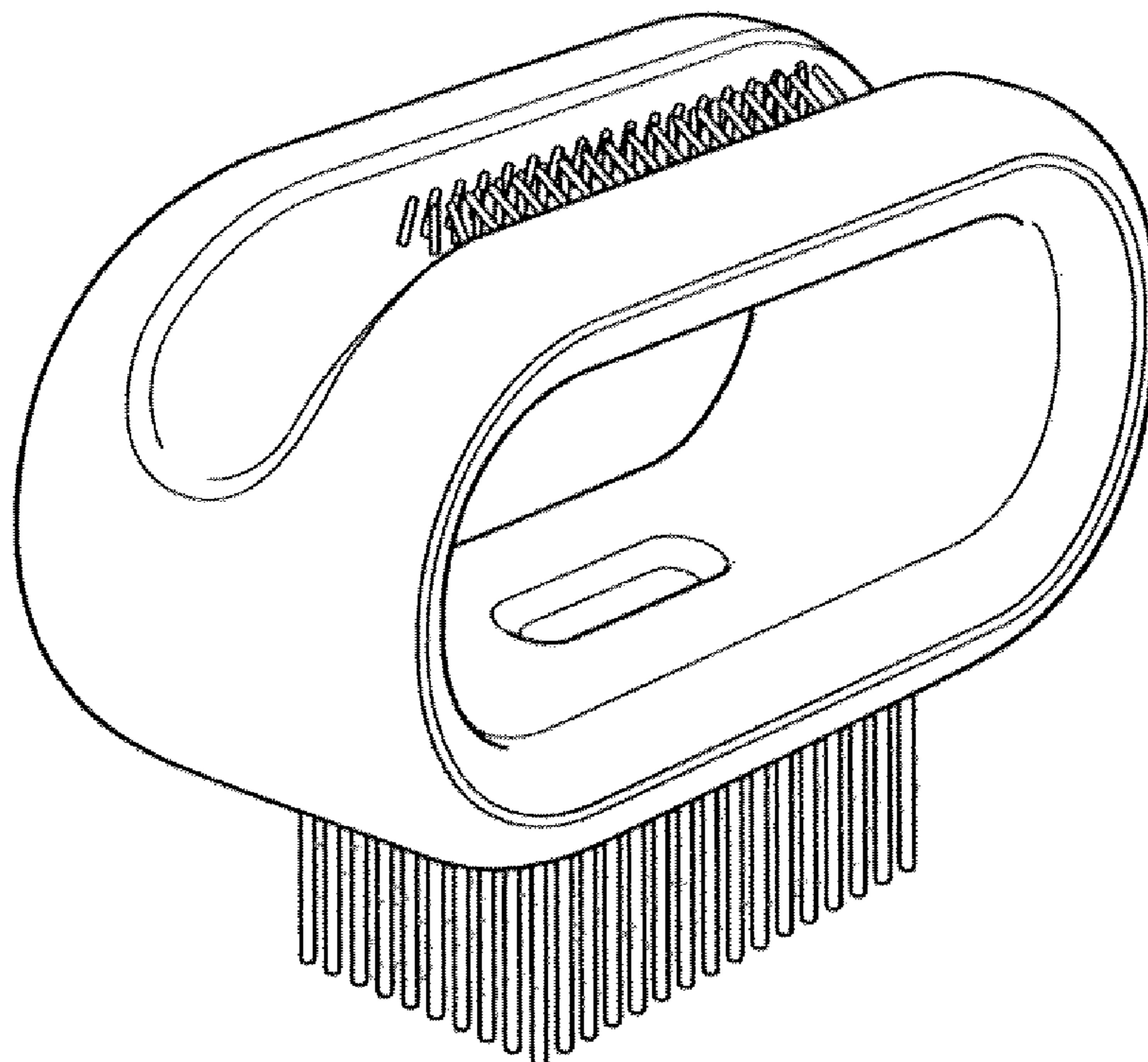
(56) **References Cited**

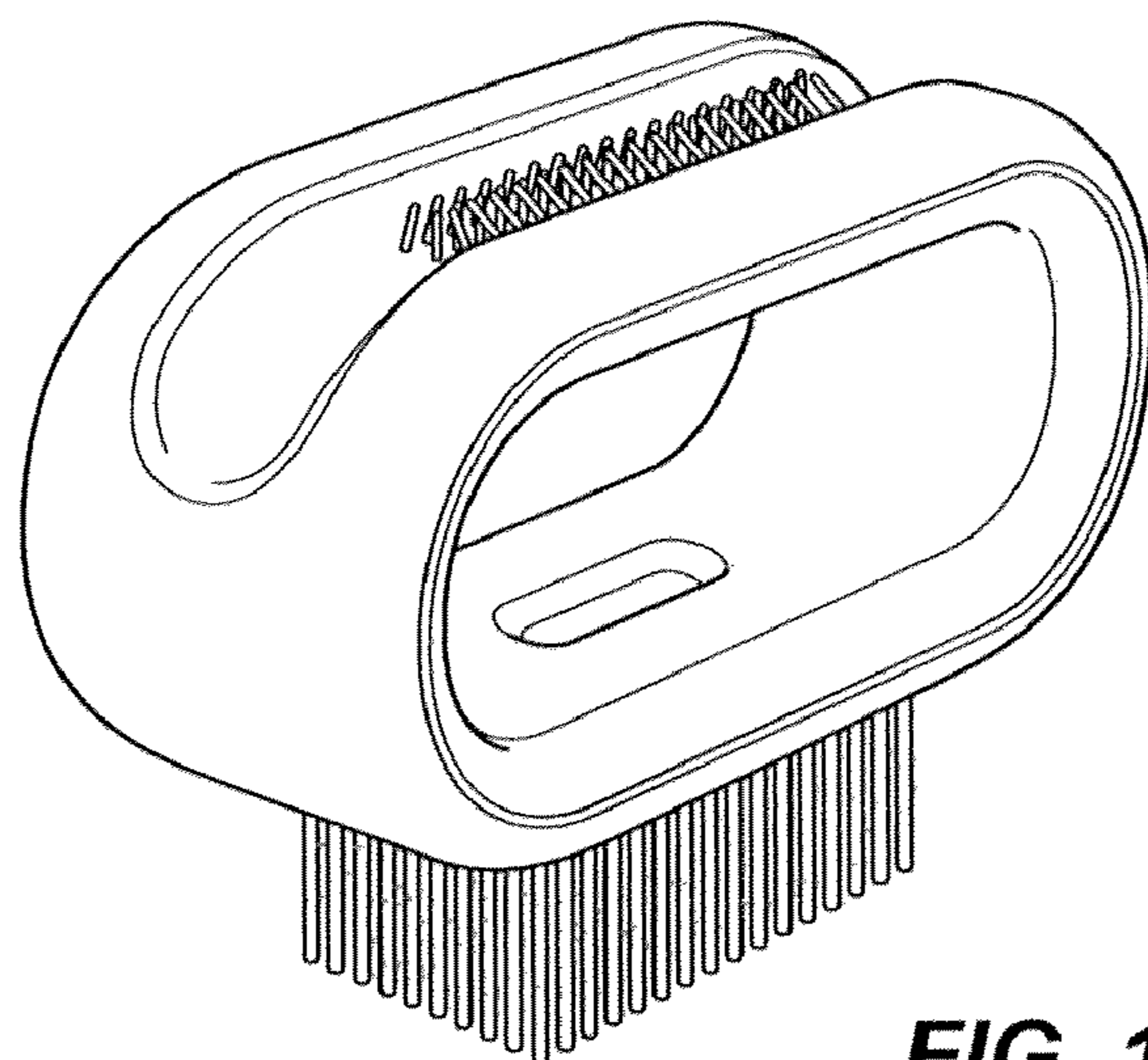
**U.S. PATENT DOCUMENTS**

2,802,229 A \* 8/1957 Bangs ..... 15/143.1  
D182,003 S \* 1/1958 Scholl ..... D4/120  
D190,318 S \* 5/1961 Vallis ..... D4/129  
3,354,492 A \* 11/1967 Baumgartner ..... 15/167.1  
D235,942 S \* 7/1975 Roche ..... D4/129

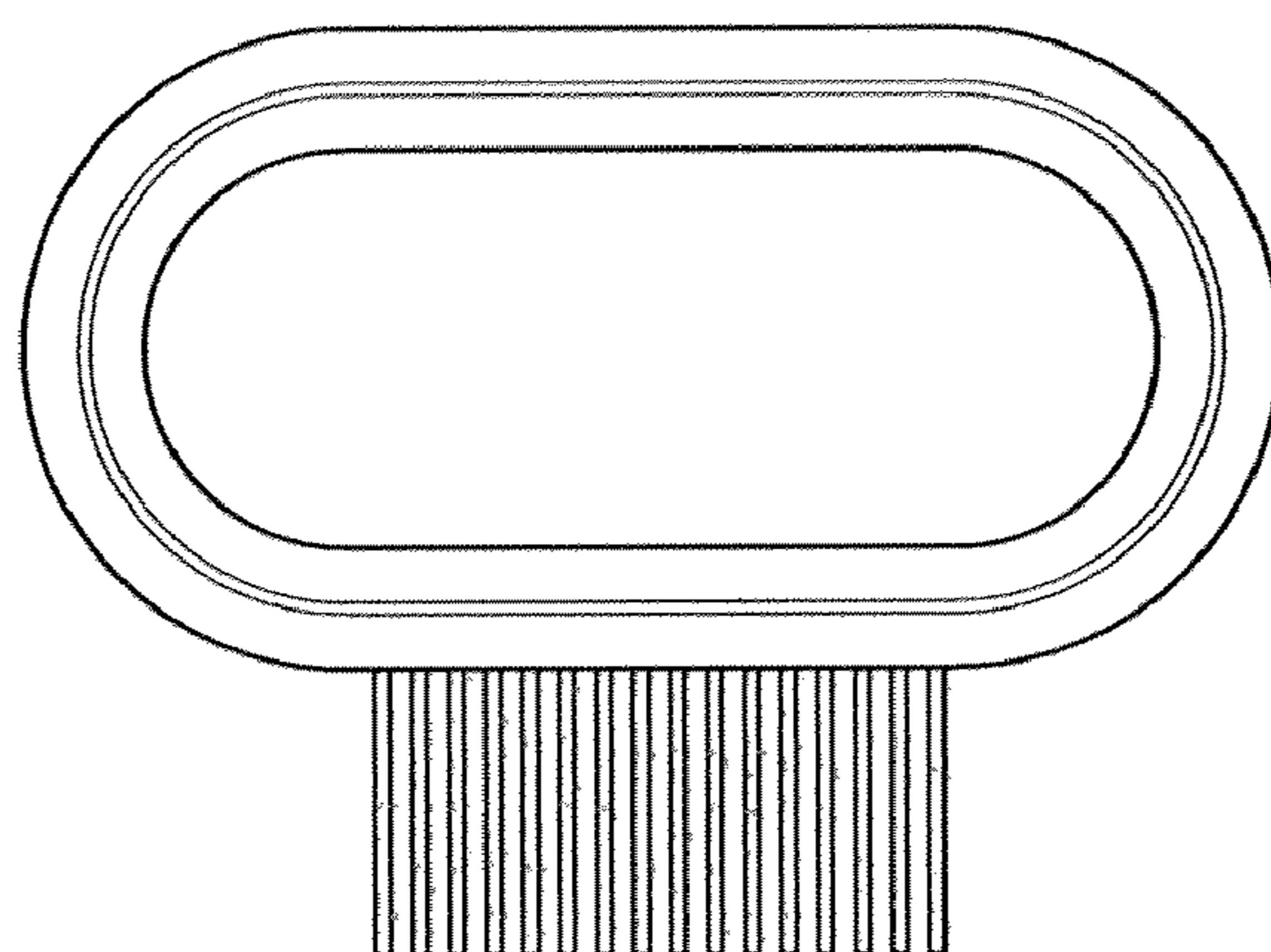
FIG. 1 is a perspective view from the top and left of the nail brush having our new design;  
FIG. 2 is a left side elevational view thereof;  
FIG. 3 is a right side elevational view thereof;  
FIG. 4 is a front view thereof;  
FIG. 5 is a rear view thereof;  
FIG. 6 is a plan view thereof; and,  
FIG. 7 is a bottom view thereof.

**1 Claim, 2 Drawing Sheets**

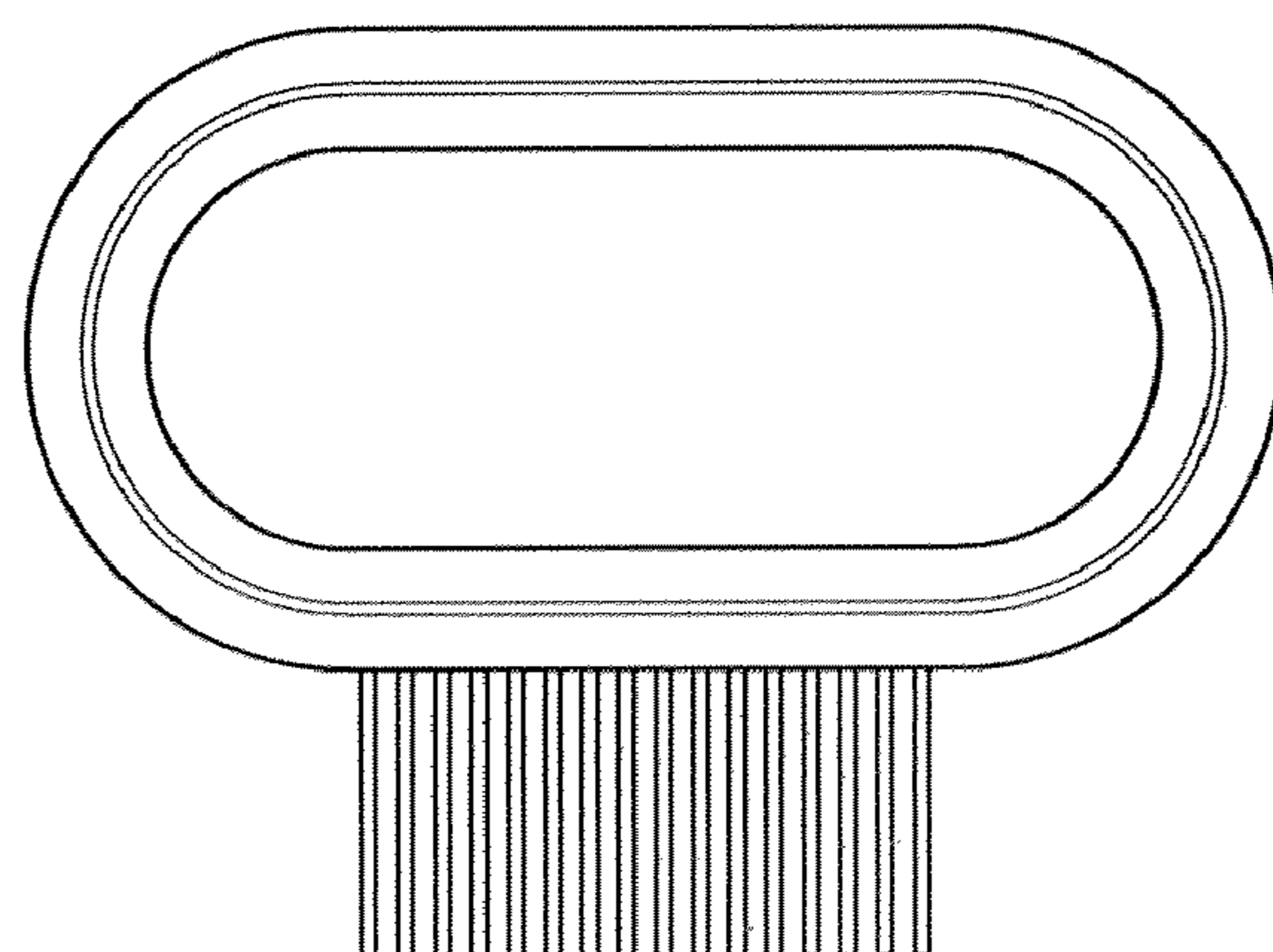




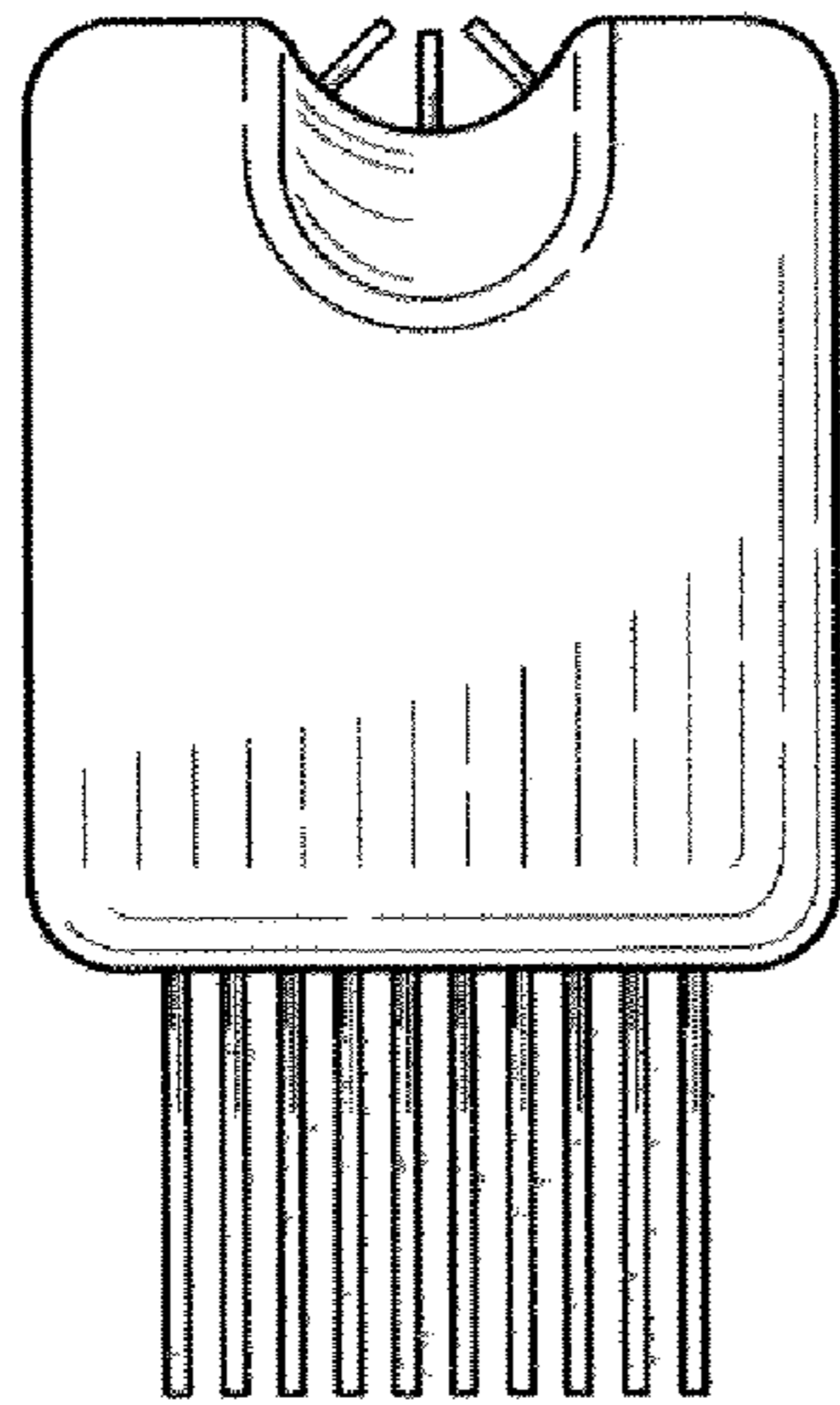
**FIG. 1**



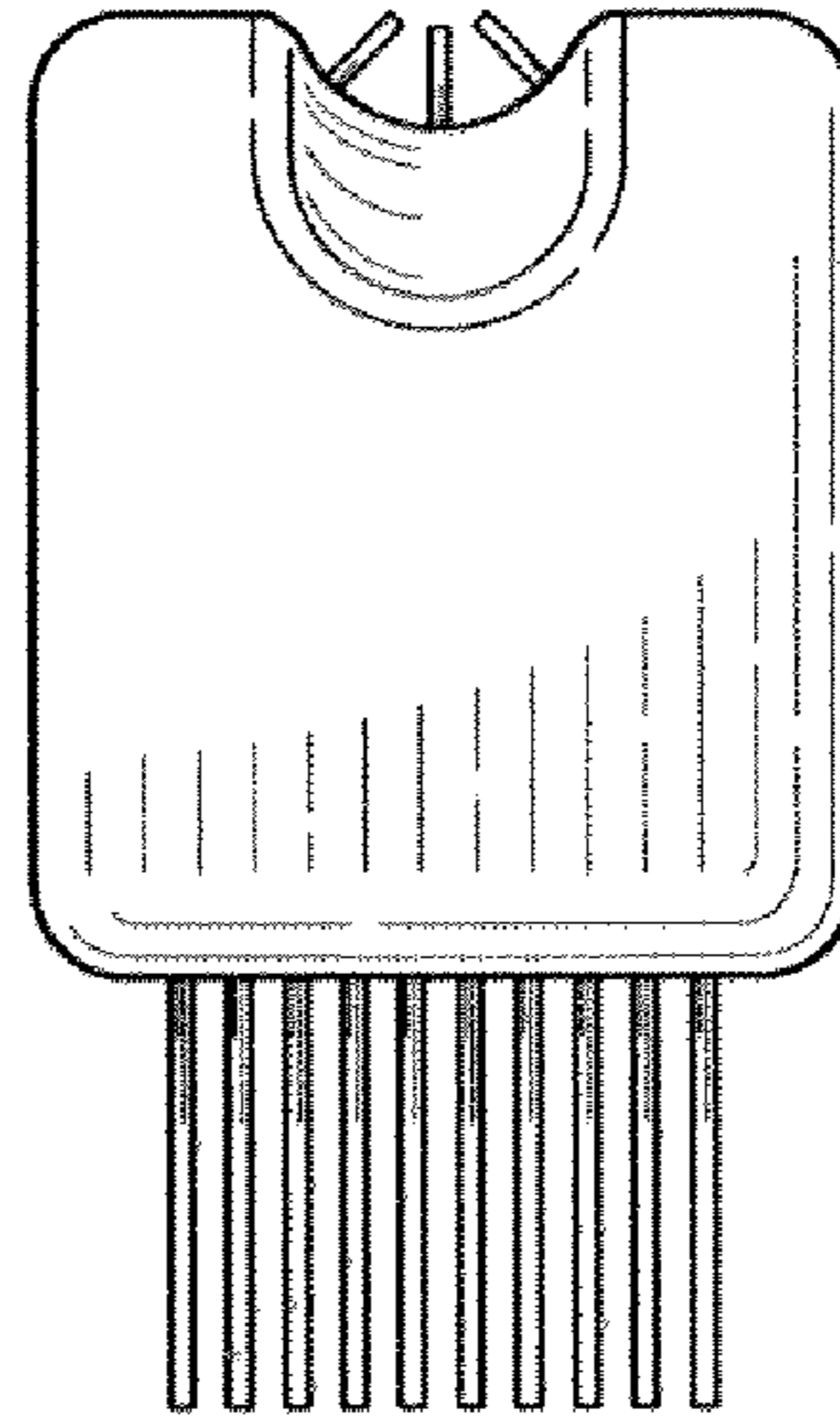
**FIG. 2**



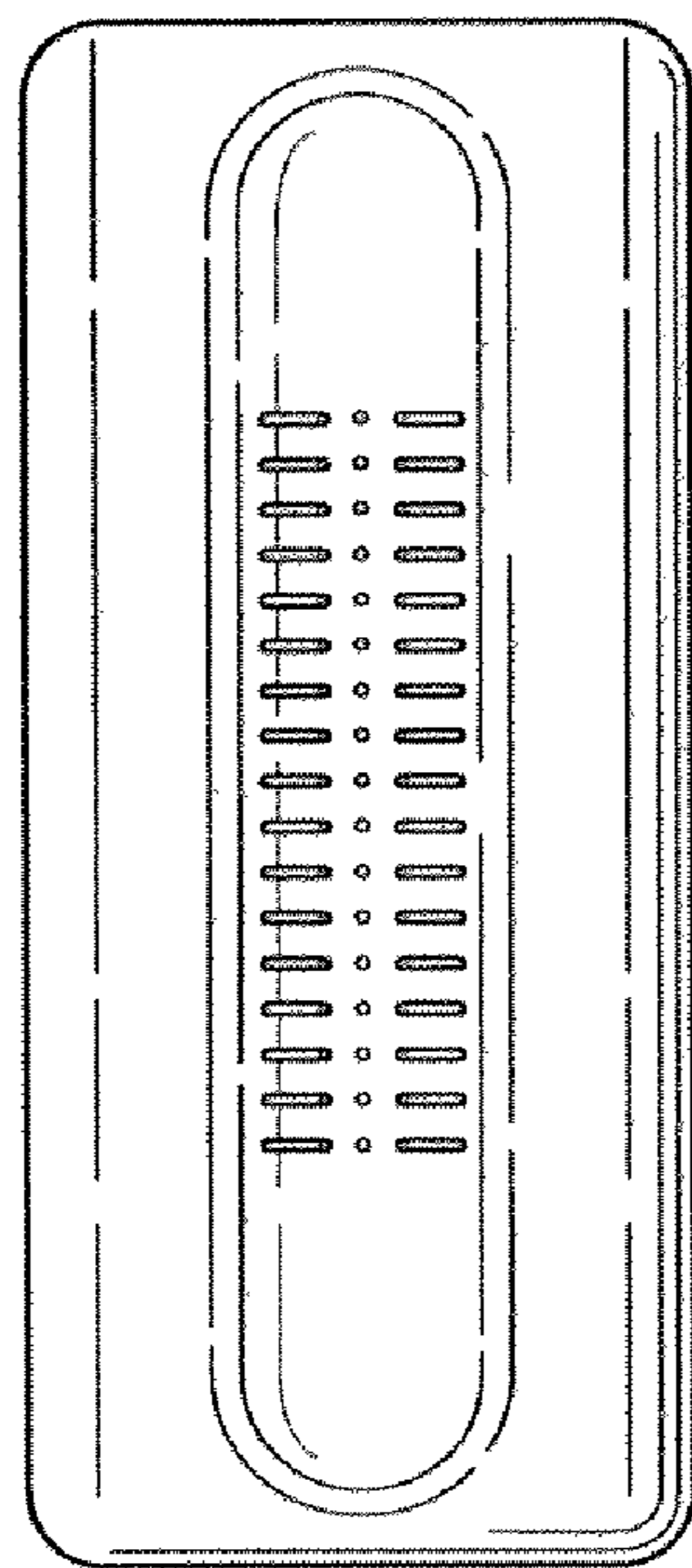
**FIG. 3**



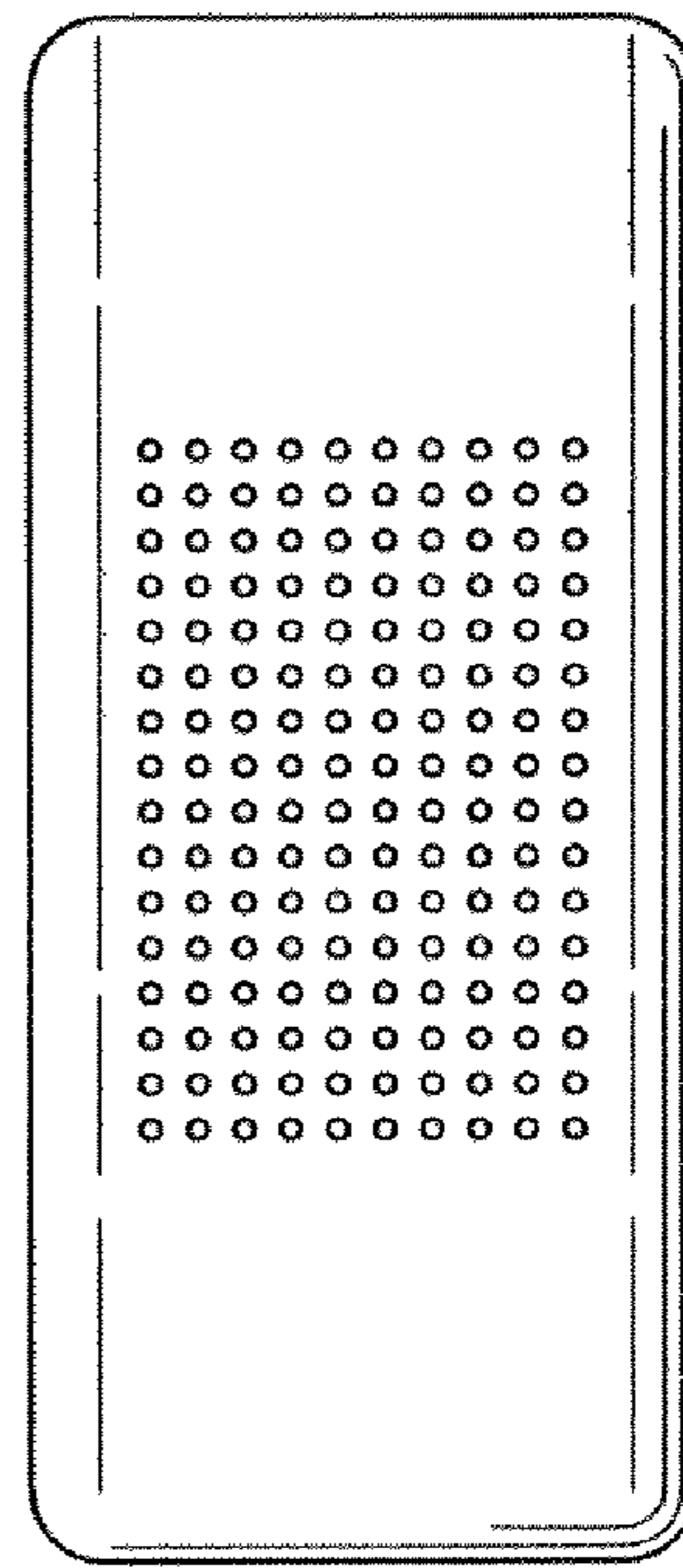
**FIG. 4**



**FIG. 5**



**FIG. 6**



**FIG. 7**