



US00D557013S

(12) **United States Design Patent**
Szyf et al.

(10) **Patent No.:** **US D557,013 S**

(45) **Date of Patent:** **** Dec. 11, 2007**

(54) **HARDWARE FOR LUGGAGE**

D489,902 S * 5/2004 Nykoluk D3/318

(75) Inventors: **Maxime Szyf**, Antwerp (BE);
Christophe Van Rumst, Ghent (BE)

* cited by examiner

(73) Assignee: **Samsonite Corporation**, Mansfield,
MA (US)

Primary Examiner—Louis S. Zarfaz

Assistant Examiner—Kathleen Sims

(74) *Attorney, Agent, or Firm*—Gregory W. O'Connor

(**) Term: **14 Years**

(57) **CLAIM**

(21) Appl. No.: **29/230,514**

We claim the ornamental design for hardware for luggage, as shown and described.

(22) Filed: **May 23, 2005**

DESCRIPTION

(51) **LOC (8) Cl.** **03-01**

(52) **U.S. Cl.** **D3/318**

(58) **Field of Classification Search** D3/318,
D3/321, 322, 323, 273, 276, 279, 283, 288,
D3/289, 902; D8/300, 315, 316, 317, 318;
D11/221; 190/18 A, 37, 115; 16/113.1,
16/114.1, 408, 409, 410, 411, 405, 429
See application file for complete search history.

FIG. 1 is a perspective view of our design for hardware for luggage showing a wheel and glide assembly for luggage.

FIG. 2 is a bottom view thereof.

FIG. 3 is a top view thereof.

FIG. 4 is a front view thereof.

FIG. 5 is a rear view thereof; and,

FIG. 6 is a right side view thereof, the left side view thereof being a mirror image.

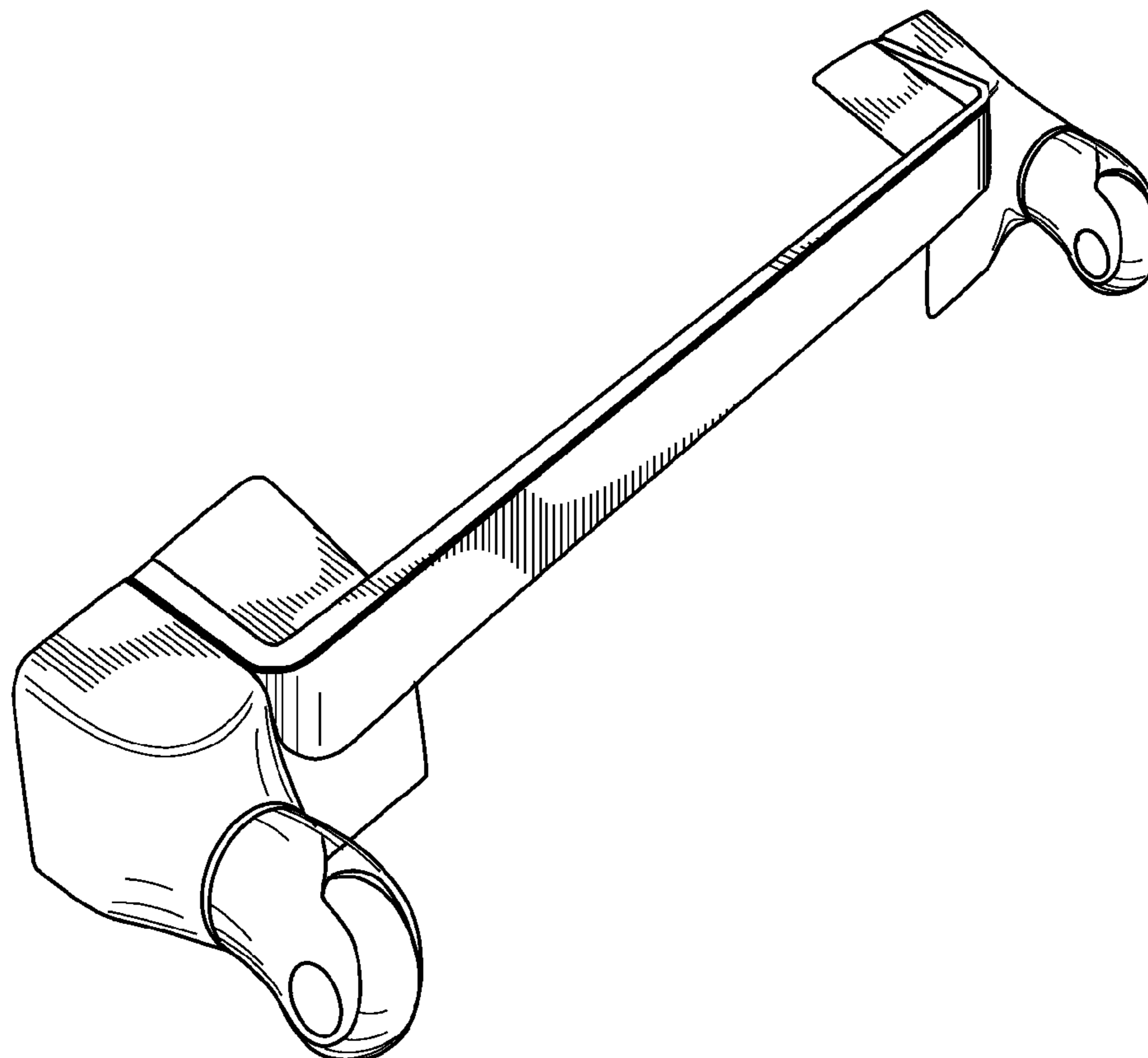
(56) **References Cited**

U.S. PATENT DOCUMENTS

D227,947 S * 7/1973 Swenn D11/221
D324,772 S * 3/1992 Tang D3/322
D359,676 S * 6/1995 Liang D3/318
D465,652 S * 11/2002 Wang D3/321
D473,716 S * 4/2003 Nykoluk D3/318

The broken line showing of hardware detail seen in FIGS. 2 and 5 is included for the purpose of illustrating portions of the hardware for luggage and forms no part of the claimed design.

1 Claim, 2 Drawing Sheets



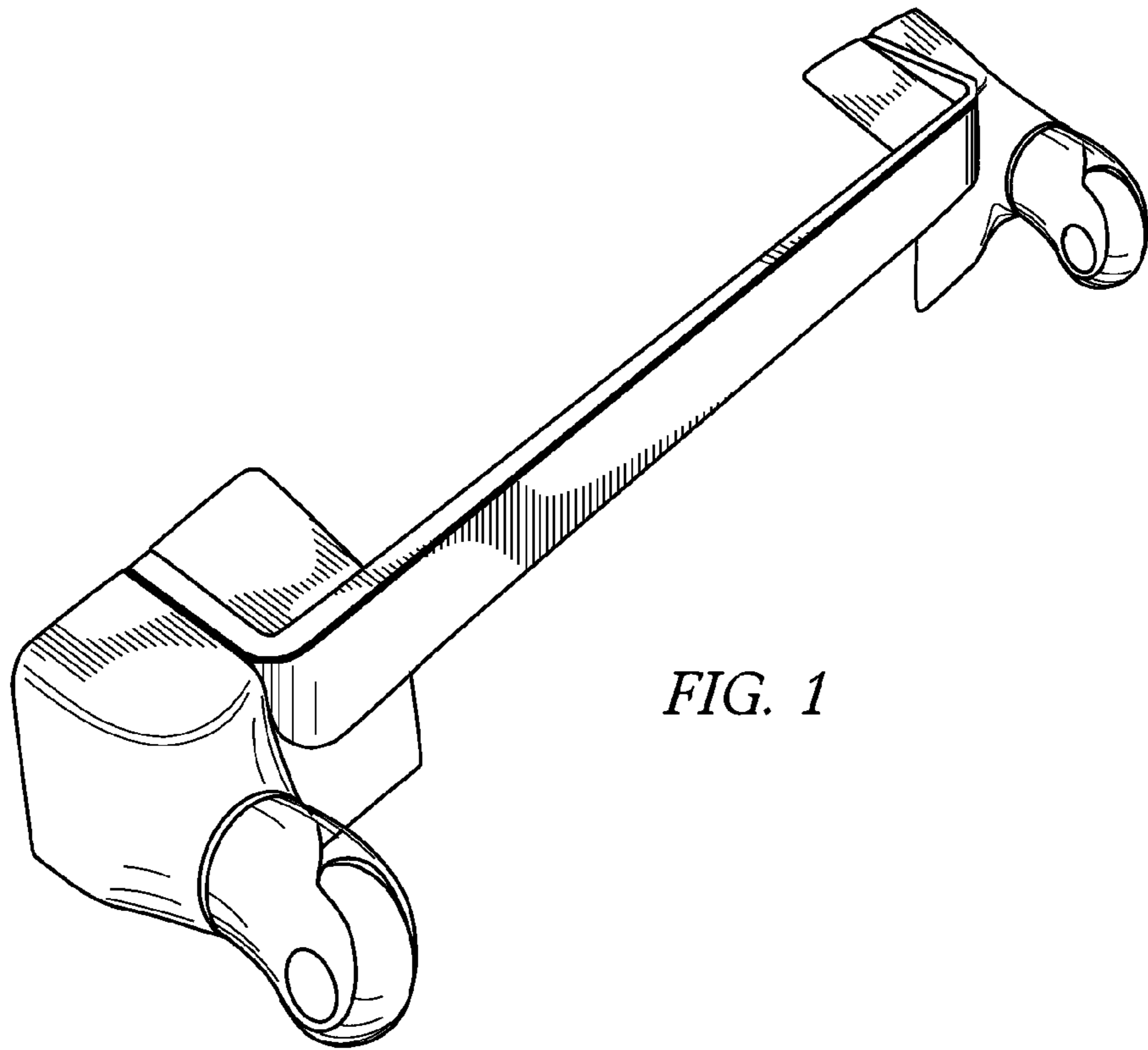


FIG. 1

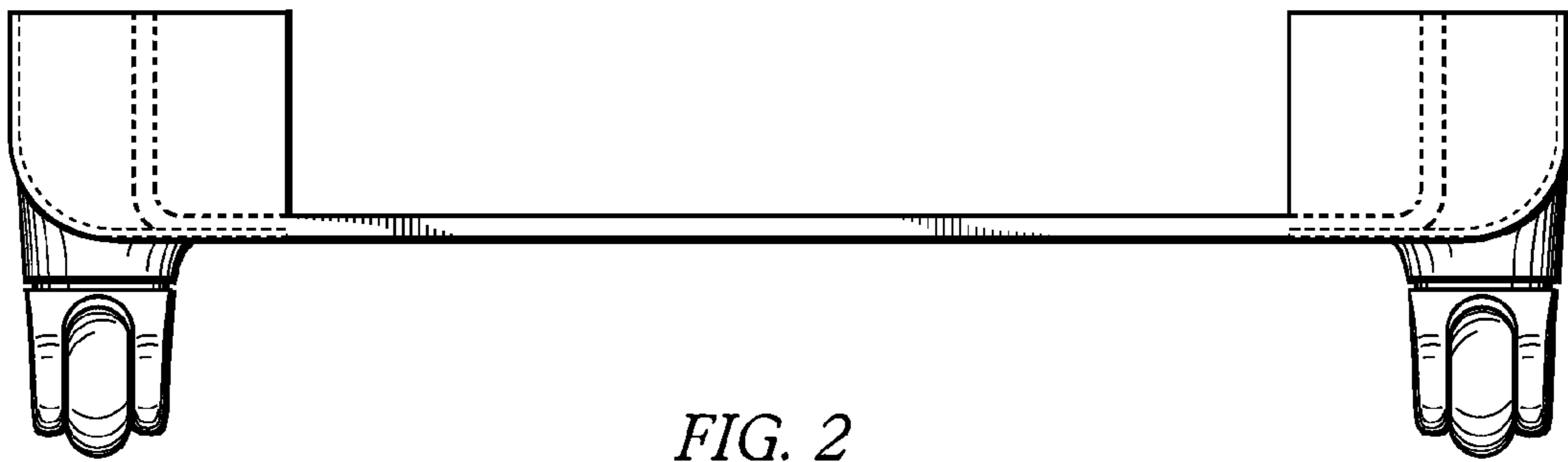


FIG. 2

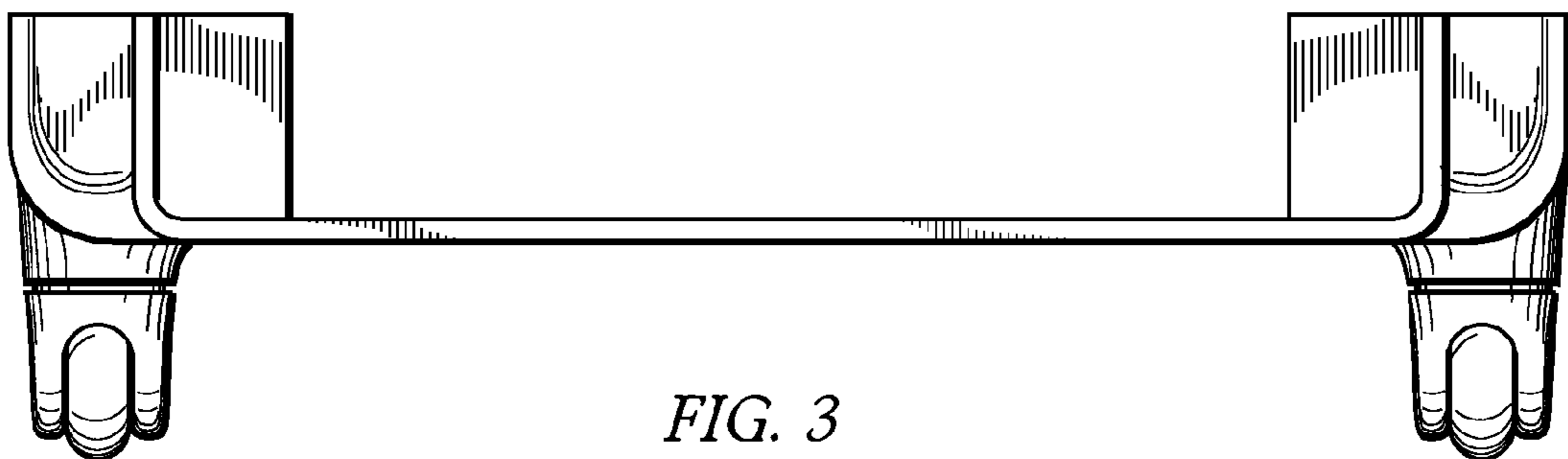


FIG. 3



FIG. 4

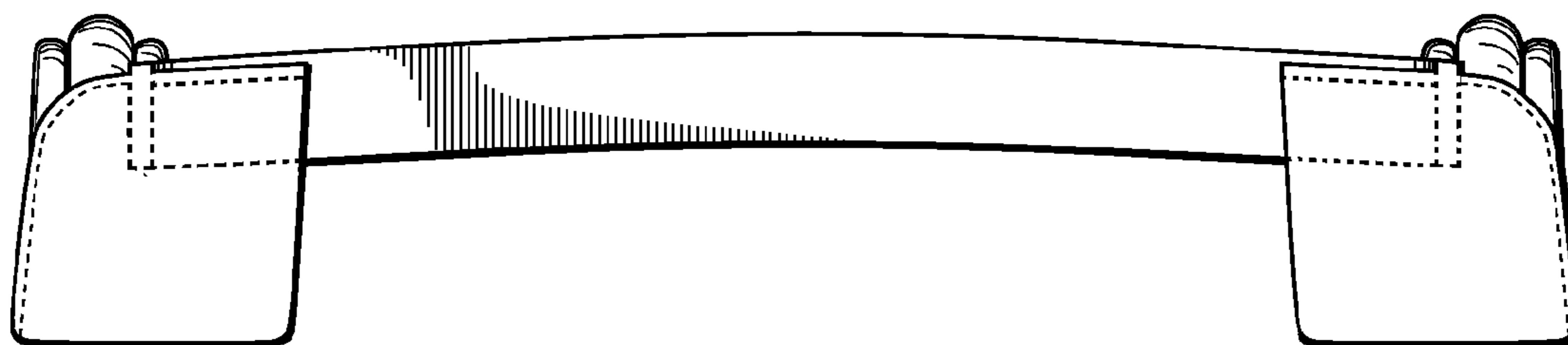


FIG. 5

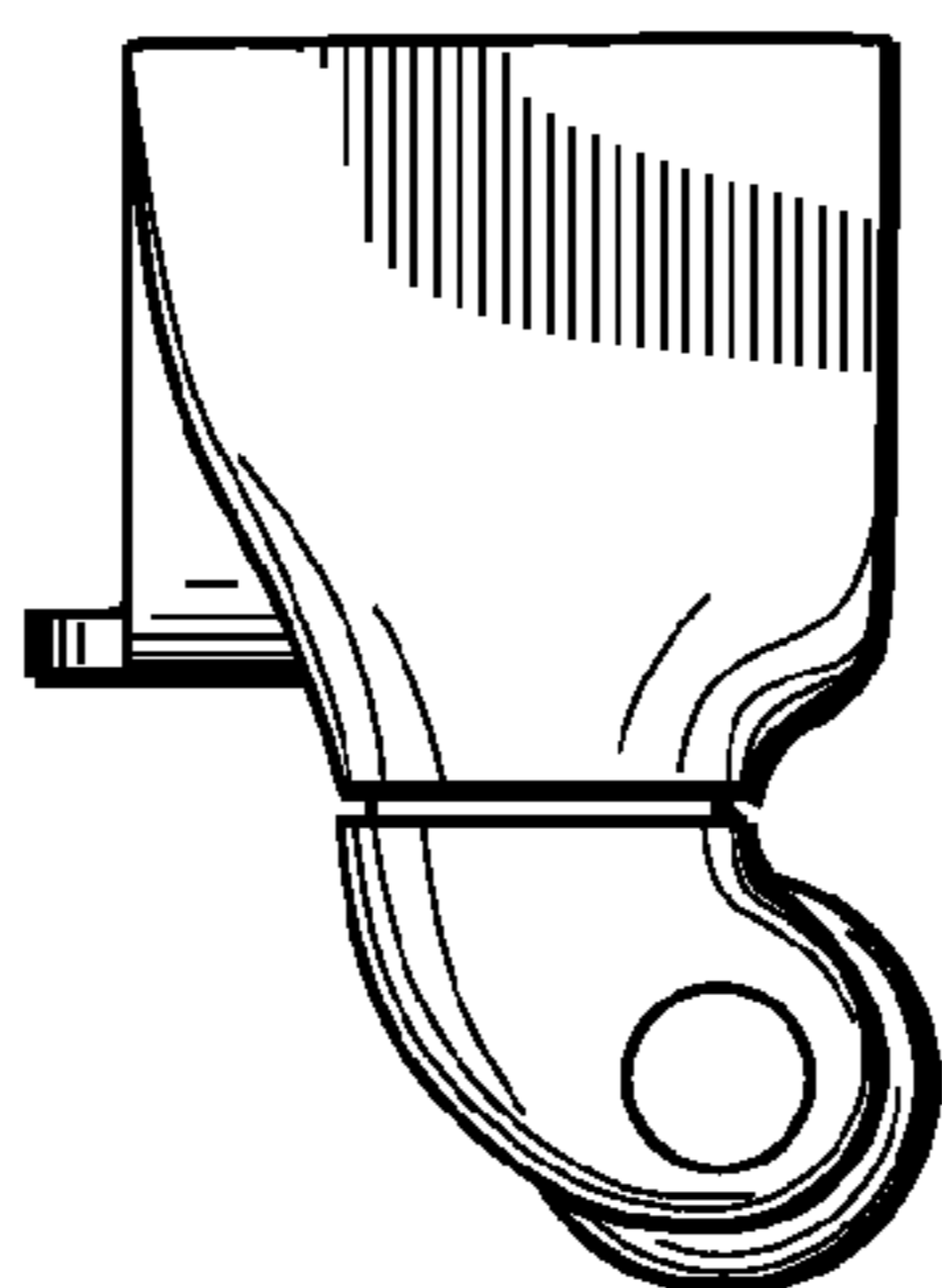


FIG. 6