

US00D557012S

(12) **United States Design Patent**
Chang

(10) **Patent No.:** **US D557,012 S**

(45) **Date of Patent:** **** Dec. 11, 2007**

(54) **GOLF BALL SPECIFIC PATCH FOR A GOLF BALL HOLDER**

2004/0144819 A1* 7/2004 Huang 224/919

* cited by examiner

(75) Inventor: **I-Teh Chang**, Kowloon (CN)

Primary Examiner—Catherine R. Oliver

Assistant Examiner—Kathleen Sims

(73) Assignee: **i-Concept International Limited**,
Kowloon (HK)

(74) *Attorney, Agent, or Firm*—Speed Law Firm; Kyla D. Cummings; Gary N. Speed

(**) Term: **14 Years**

(57) **CLAIM**

(21) Appl. No.: **29/229,714**

The ornamental design for a golf ball specific patch for a golf ball holder, as shown and described.

(22) Filed: **May 11, 2005**

(51) **LOC (8) Cl.** **03-01**

(52) **U.S. Cl.** **D3/318**

(58) **Field of Classification Search** D3/319,
D3/320, 321, 221, 225, 230, 257, 254, 255;
D6/552; 15/104.93; 206/315.1, 315.5, 315.9;
224/191, 235, 251, 269, 271, 918, 919
See application file for complete search history.

DESCRIPTION

FIG. 1 is a perspective view of the golf ball specific patch.

FIG. 2 is a front view of the golf ball specific patch.

FIG. 3 is a top view of the golf ball specific patch.

FIG. 4 is a left side view of the golf ball specific patch; and,

FIG. 5 is a right side view of the golf ball specific patch.

The broken line showing in FIGS. 1–5 is included for the purpose of illustrating conventional stitching that appears on the golf ball specific patch for a golf ball holder.

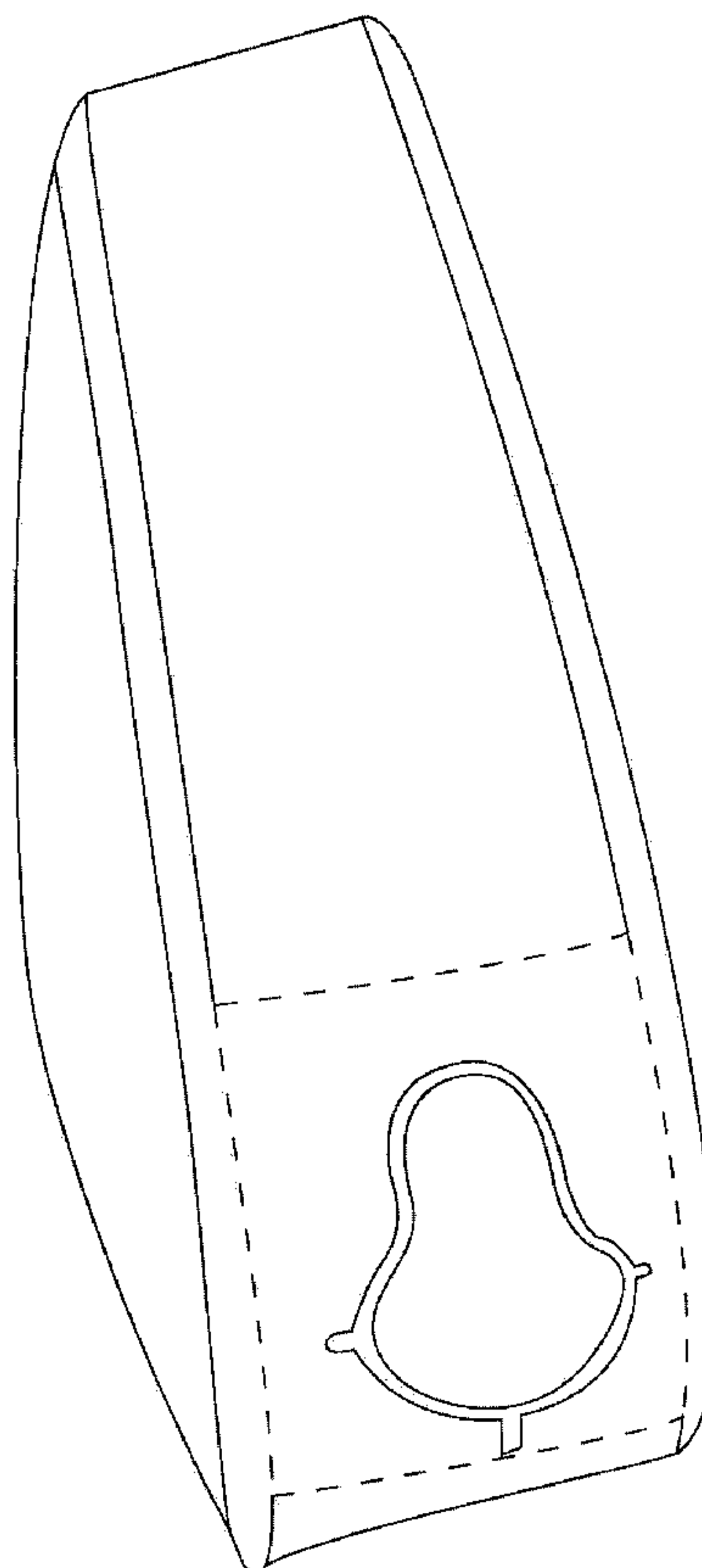
My golf ball specific patch is characterized by the smaller hole opening near the top and the larger hole opening near the bottom. The larger hole opening is also characterized by the slits on the left, right, and bottom.

(56) **References Cited**

U.S. PATENT DOCUMENTS

- D200,420 S * 2/1965 Price D3/221
- 5,186,374 A * 2/1993 Buxton 224/191
- D379,120 S * 5/1997 Steinfels D3/254
- 6,234,307 B1 * 5/2001 Beck 206/315.9
- 6,357,586 B2 3/2002 Pratt et al.
- 7,007,804 B1 * 3/2006 Witherspoon, Jr. 206/315.9

1 Claim, 5 Drawing Sheets



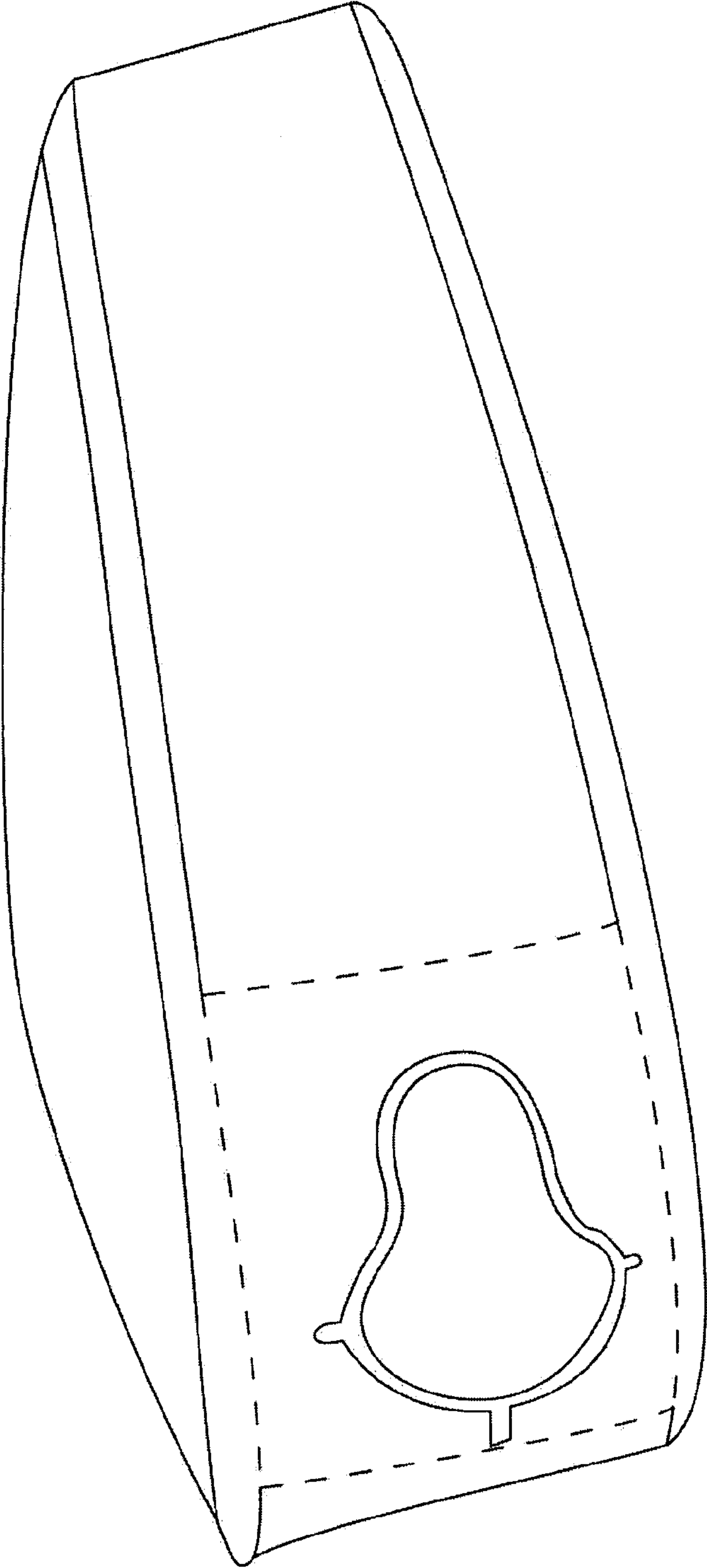


Fig.1

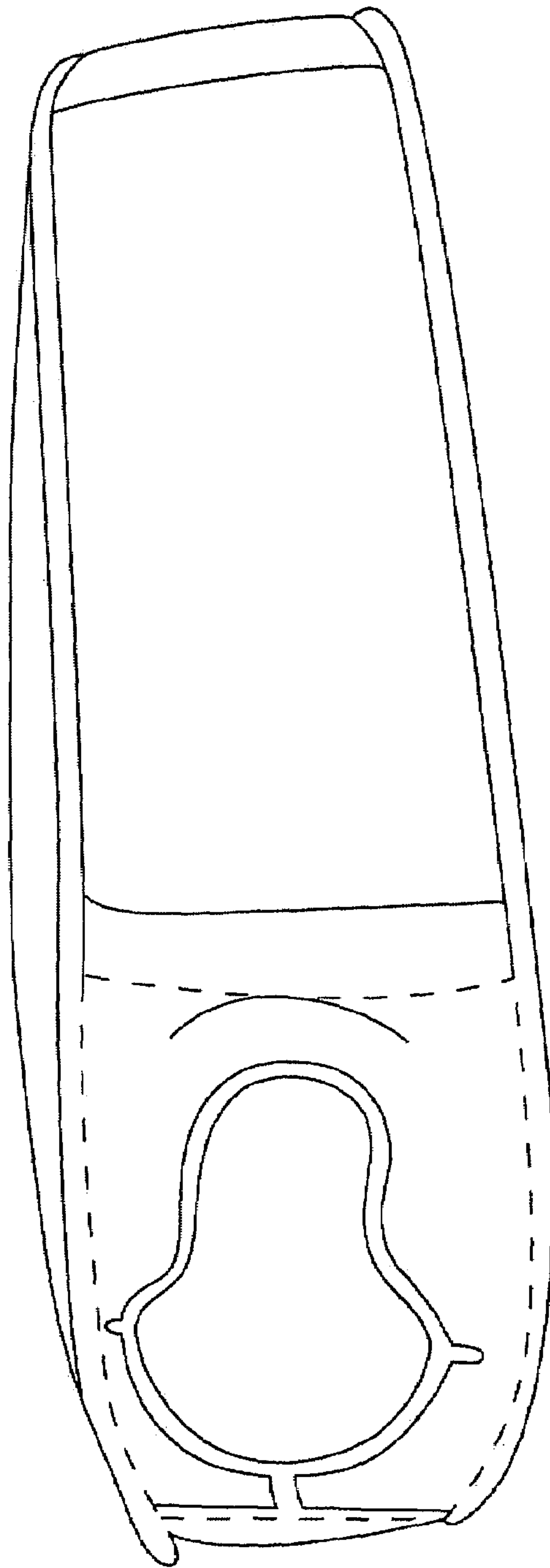


Fig.2

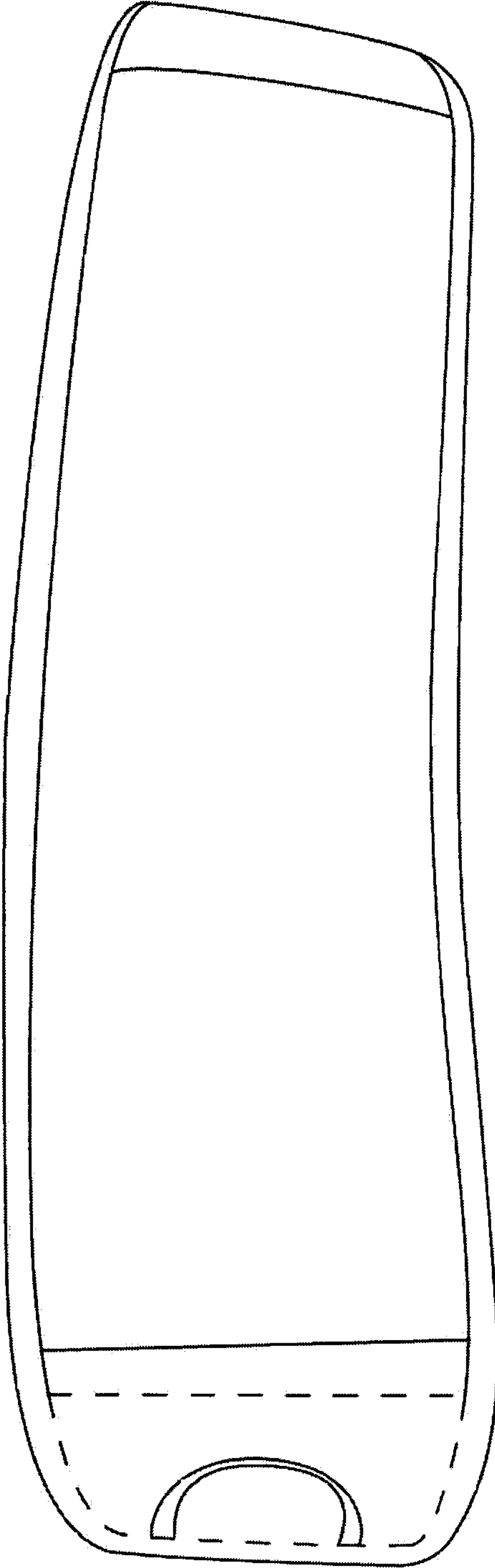


Fig.3

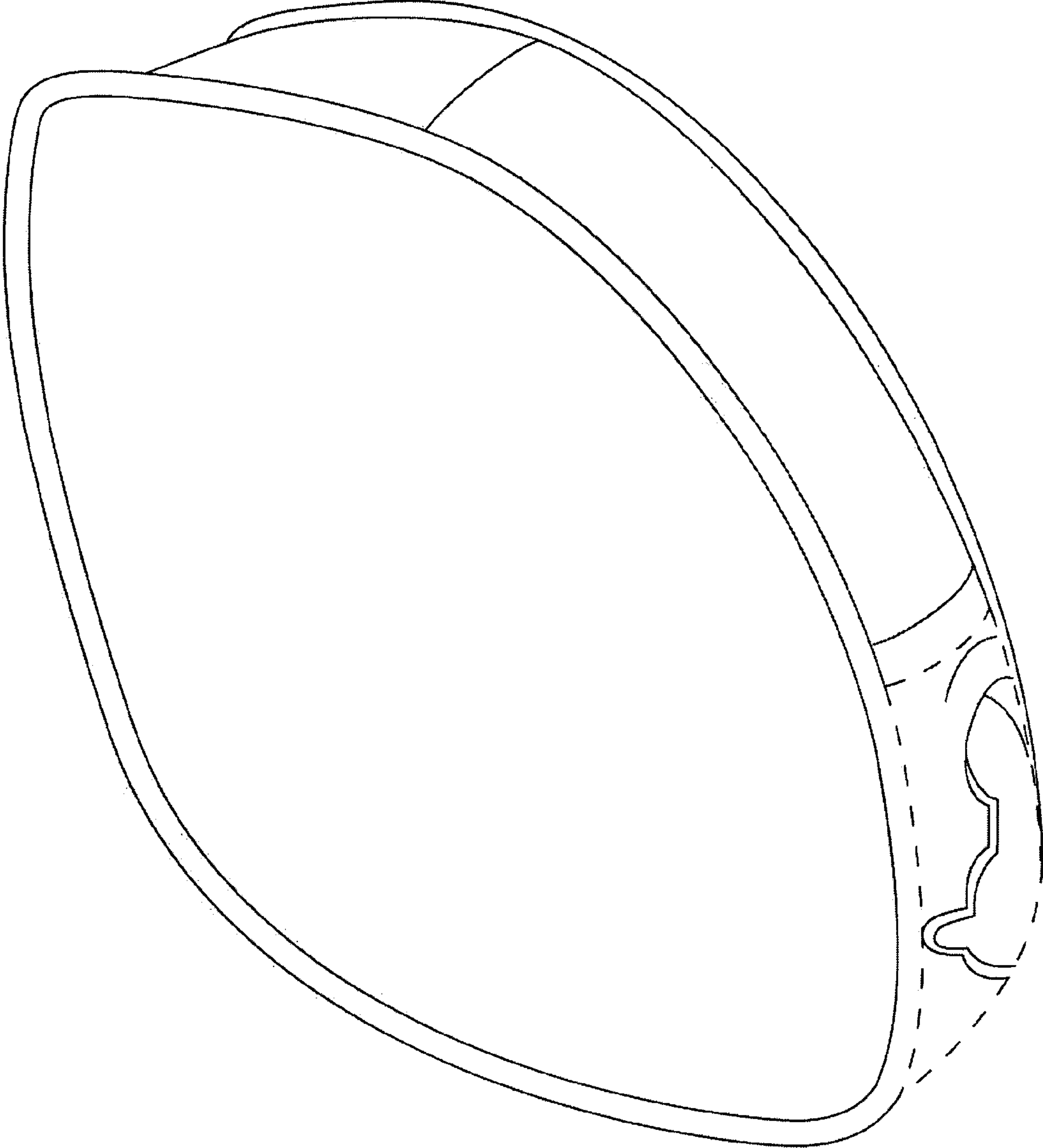


Fig.4

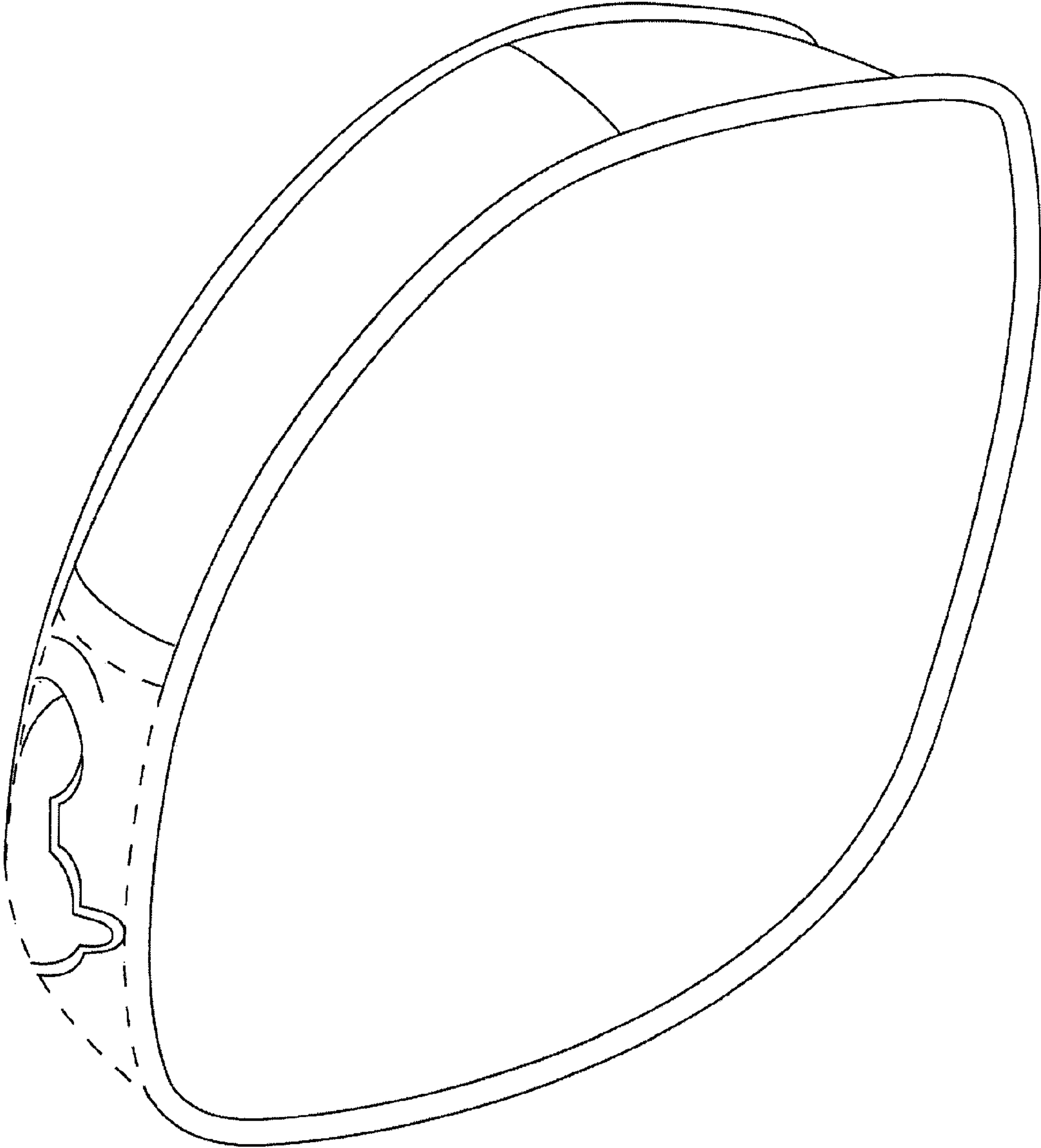


Fig.5