



US00D557008S

(12) **United States Design Patent**
Stiller

(10) **Patent No.:** **US D557,008 S**

(45) **Date of Patent:** **** Dec. 11, 2007**

(54) **KEY FOB**

(75) Inventor: **Thomas E. Stiller**, Wadsworth, OH
(US)

(73) Assignee: **Quikey Manufacturing Co., Inc.**,
Akron, OH (US)

(**) Term: **14 Years**

(21) Appl. No.: **29/270,783**

(22) Filed: **Jan. 4, 2007**

(51) **LOC (8) Cl.** **03-01**

(52) **U.S. Cl.** **D3/207**

(58) **Field of Classification Search** D3/207-212,
D3/327; 206/37.1, 38.1; 150/147; 70/456 R,
70/456 B, 458-459; 24/3 K, 3.6, 100; D11/44,
D11/48

See application file for complete search history.

(56) **References Cited**

U.S. PATENT DOCUMENTS

1,509,781 A * 9/1924 Roth 119/795
D253,676 S * 12/1979 Mathieson D3/207
5,325,568 A * 7/1994 Bruhm 24/301
D378,630 S * 4/1997 Carman D3/207

D386,610 S * 11/1997 Wright D3/207
D438,373 S * 3/2001 Riley D3/207
D462,523 S * 9/2002 Kalbach D3/327
D506,056 S * 6/2005 Burns D3/207
D541,190 S * 4/2007 Plzak D11/200
D544,707 S * 6/2007 Labelson D3/208

* cited by examiner

Primary Examiner—Ralf Seifert

(74) *Attorney, Agent, or Firm*—Renner, Kenner, Greive,
Bobak, Taylor & Weber

(57) **CLAIM**

The ornamental design for a key fob, as shown and described.

DESCRIPTION

FIG. 1 is a top, side, left end perspective view of a key fob showing my new design;

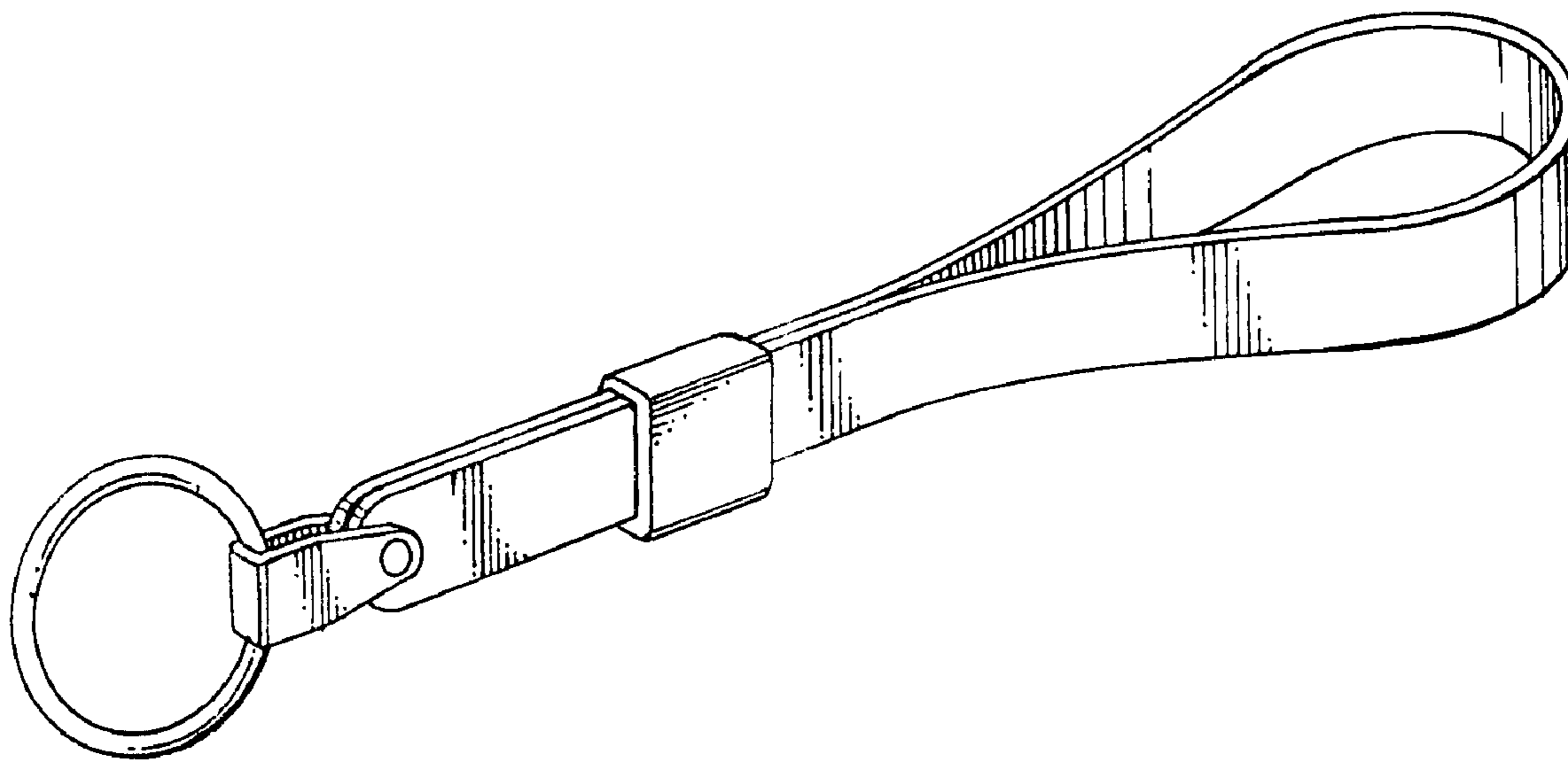
FIG. 2 is a side elevational view thereof;

FIG. 3 is a top plan view thereof, the bottom plan view being identical to FIG. 3;

FIG. 4 is a left end elevational view thereof; and,

FIG. 5 is a right end elevational view thereof.

1 Claim, 2 Drawing Sheets



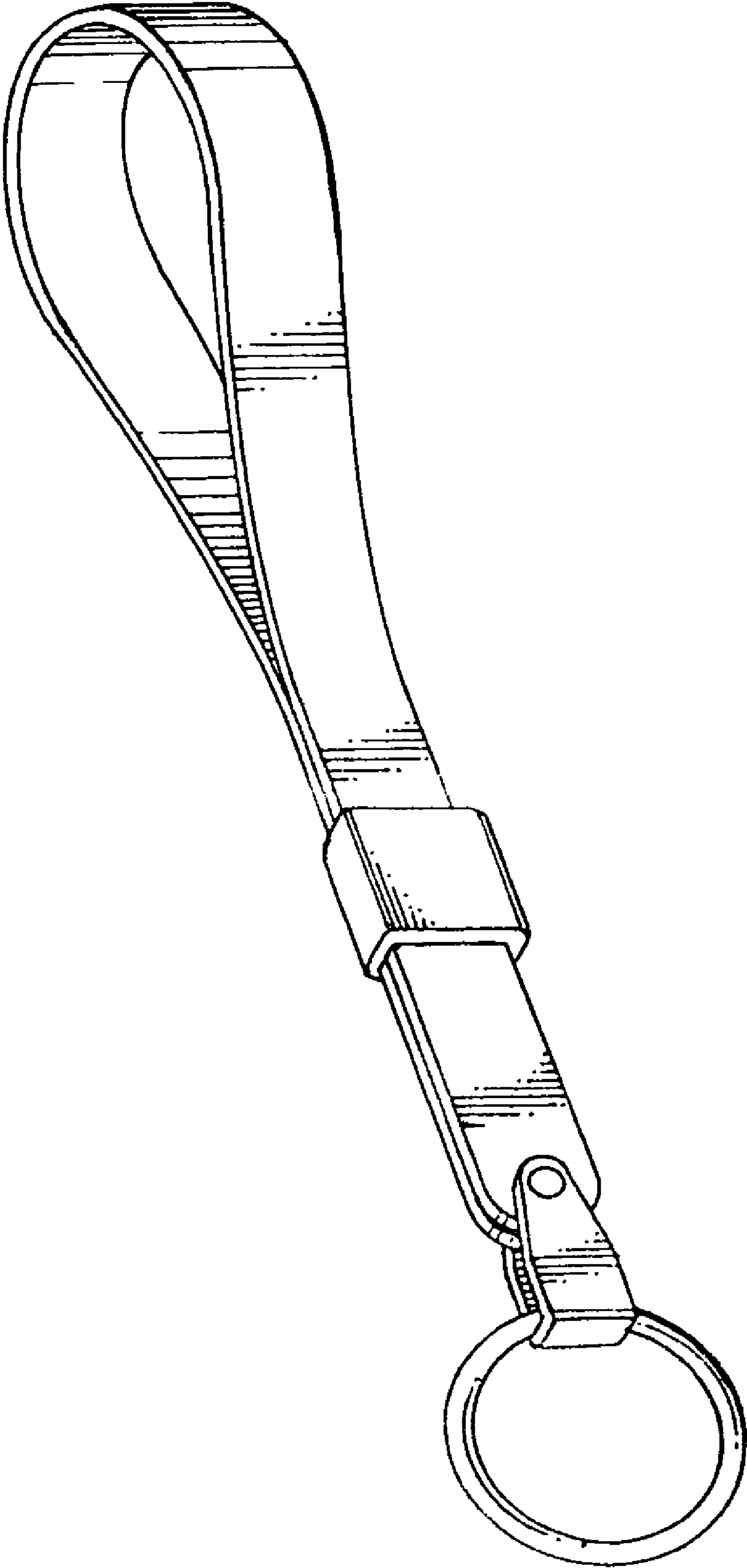


FIG. 1

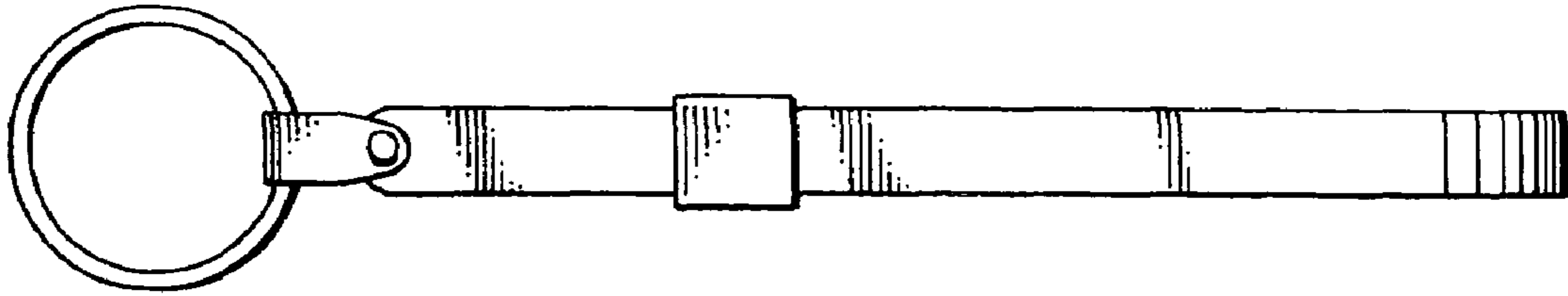


FIG. 2

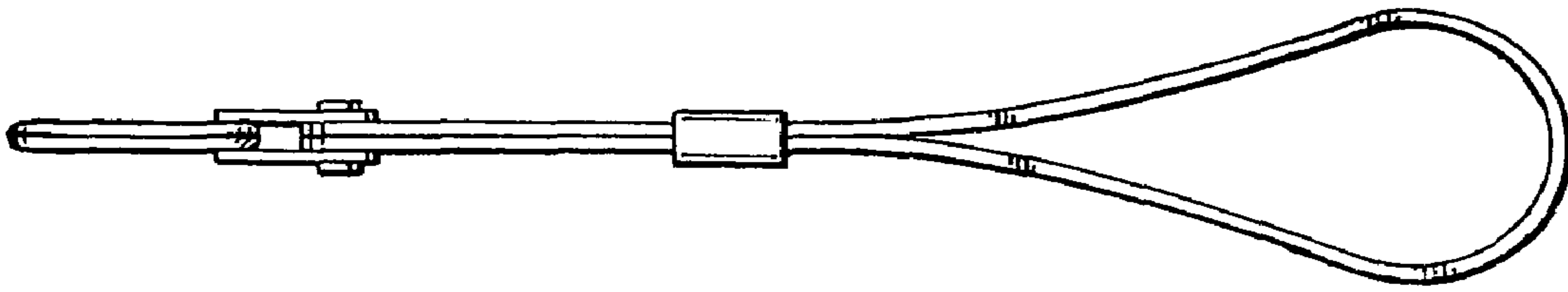


FIG. 3

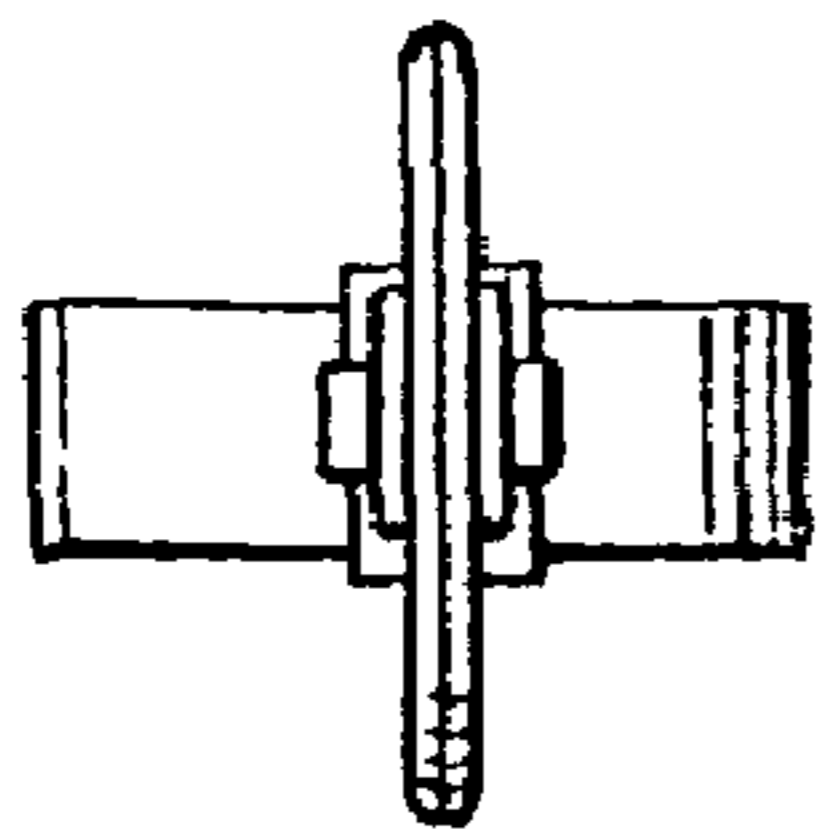


FIG. 4

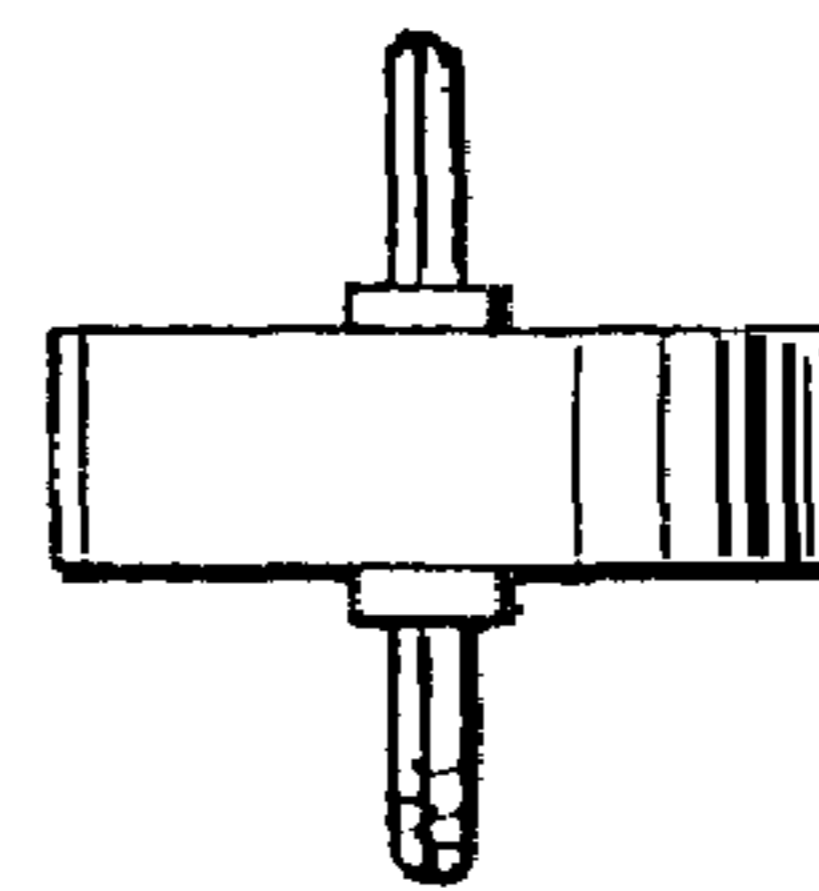


FIG. 5