



US00D557007S

(12) **United States Design Patent**
Della Valle

(10) **Patent No.:** **US D557,007 S**

(45) **Date of Patent:** **** Dec. 11, 2007**

(54) **DOUBLE D RING DECORATION FOR SHOE**

(75) Inventor: **Andrea Della Valle**, Sant'Elpidio a Mare (IT)

(73) Assignee: **TOD'S S.p.A.**, Sant'Elpidio a Mare (IT)

(**) Term: **14 Years**

(21) Appl. No.: **29/275,489**

(22) Filed: **Dec. 27, 2006**

(30) **Foreign Application Priority Data**

Jun. 28, 2006 (EM) 000552351

(51) **LOC (8) Cl.** **02-99**

(52) **U.S. Cl.** **D2/976**

(58) **Field of Classification Search** D2/946,
D2/976; 36/136

See application file for complete search history.

(56) **References Cited**

U.S. PATENT DOCUMENTS

D69,686 S * 3/1926 Coblentz D2/976

D82,698 S * 12/1930 Riker D2/976

D84,956 S * 8/1931 Riker D2/976

D213,086 S * 1/1969 Aigner D2/976

D521,214 S * 5/2006 Choi D2/946

D529,690 S * 10/2006 Choi D2/946

D542,020 S * 5/2007 Choi D2/976

D543,678 S * 6/2007 Boas et al. D2/946

* cited by examiner

Primary Examiner—Dominic Simone

(74) *Attorney, Agent, or Firm*—Knobbe Martens Olson & Bear LLP

(57) **CLAIM**

The ornamental design for a double D ring decoration for shoe, as shown and described herein.

DESCRIPTION

FIG. 1 is a left side plan view of a double D ring decoration for shoe according to the new design.

FIG. 2 is a front plan view of the design of FIG. 1.

FIG. 3 is a right side plan view of the design of FIG. 1.

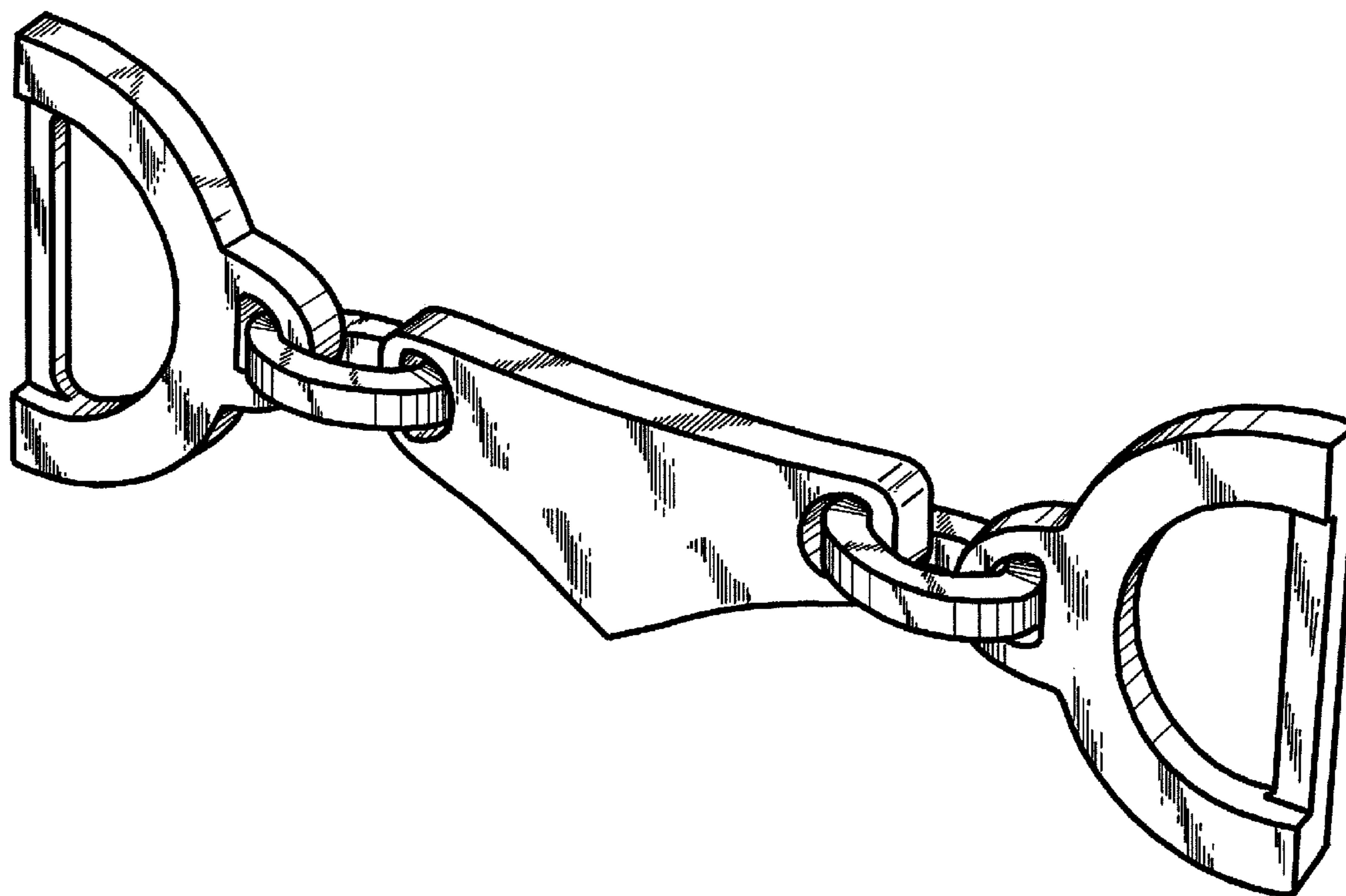
FIG. 4 is a rear plan view of the design of FIG. 1.

FIG. 5 is a bottom plan view of the design of FIG. 1.

FIG. 6 is a top plan view of the design of FIG. 1; and,

FIG. 7 is a perspective view of the design of FIG. 1.

1 Claim, 4 Drawing Sheets



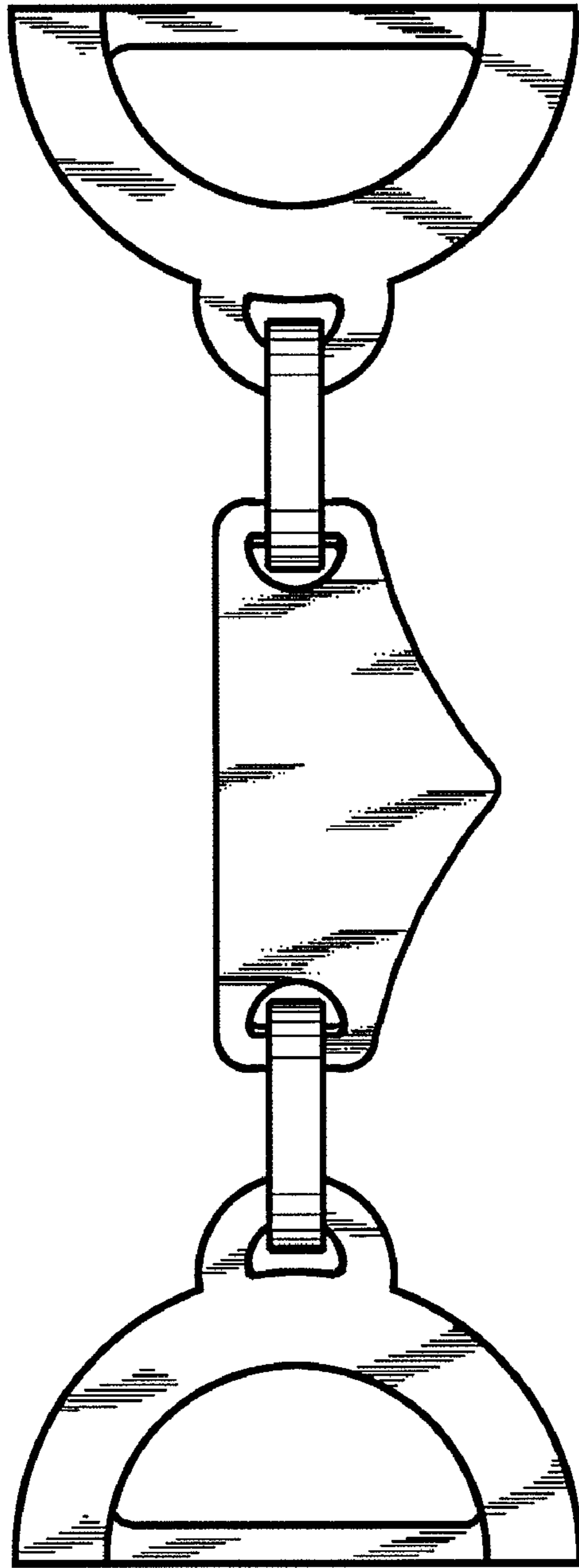


FIG. 2

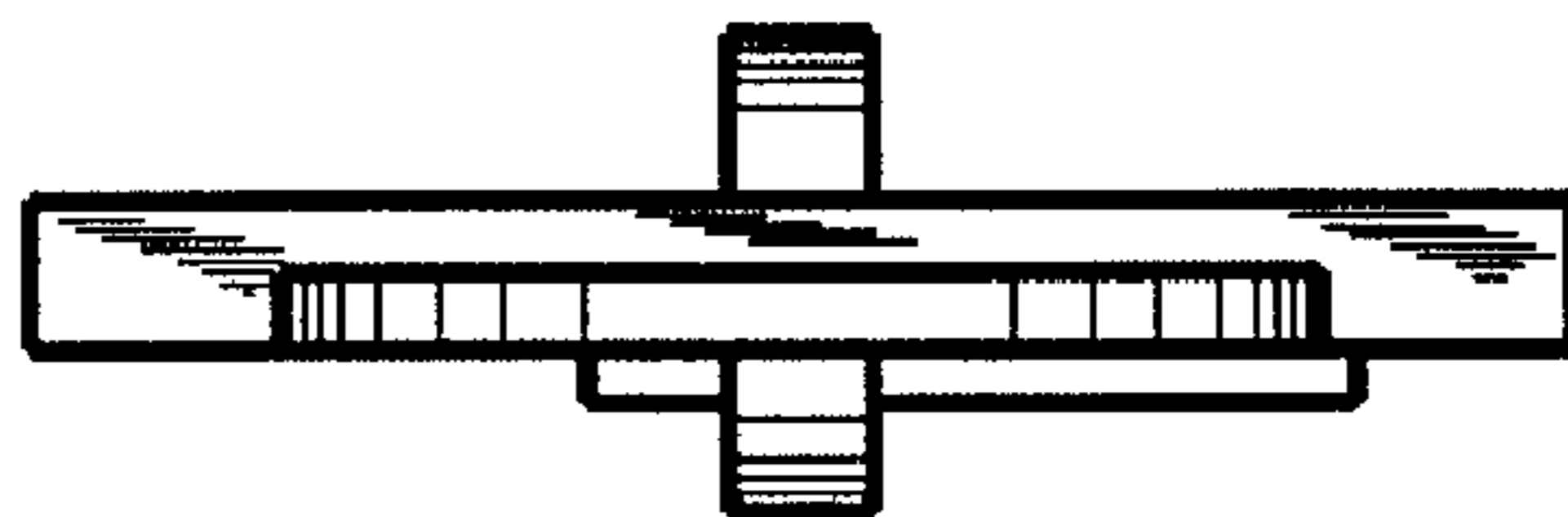


FIG. 1

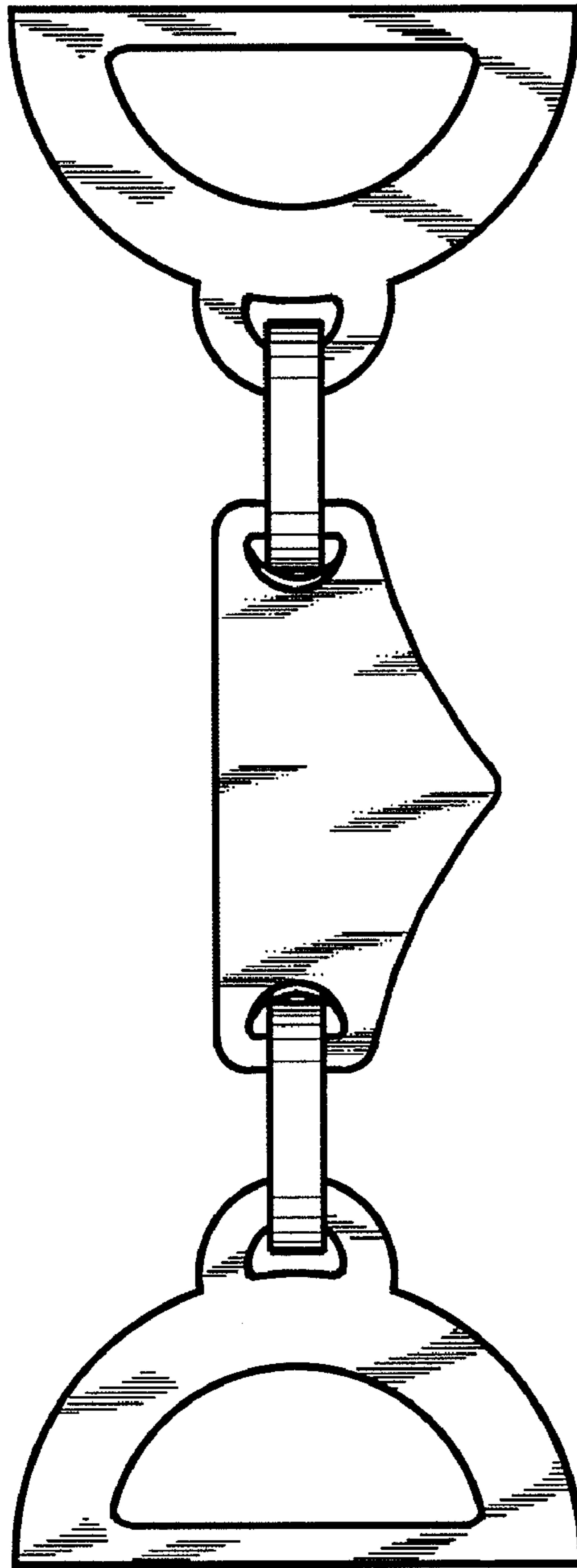


FIG. 4

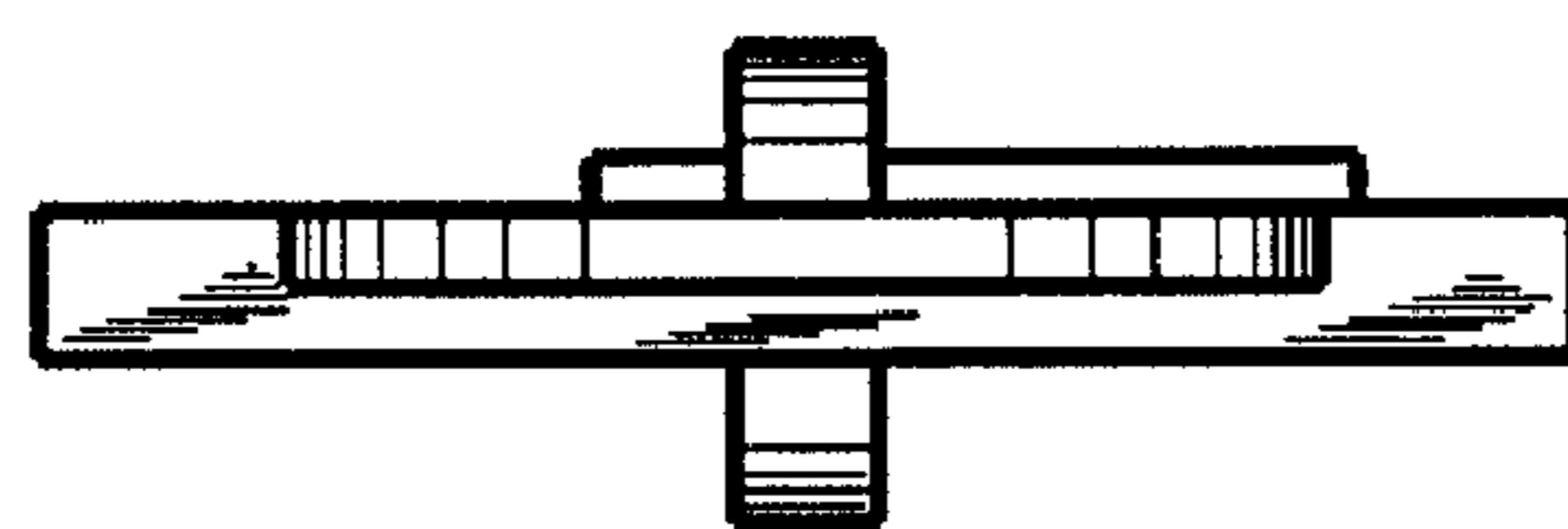


FIG. 3



FIG. 5

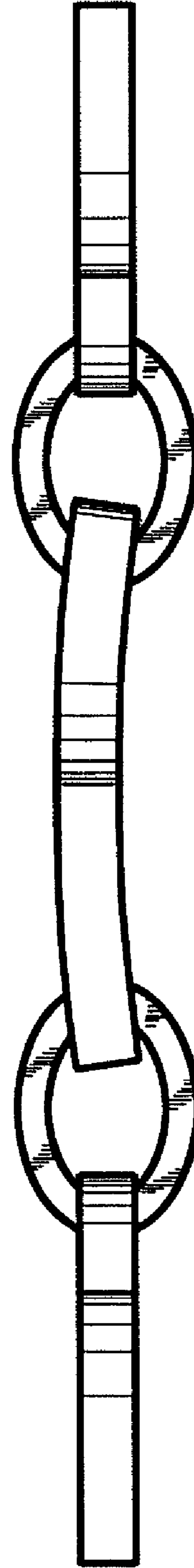


FIG. 6

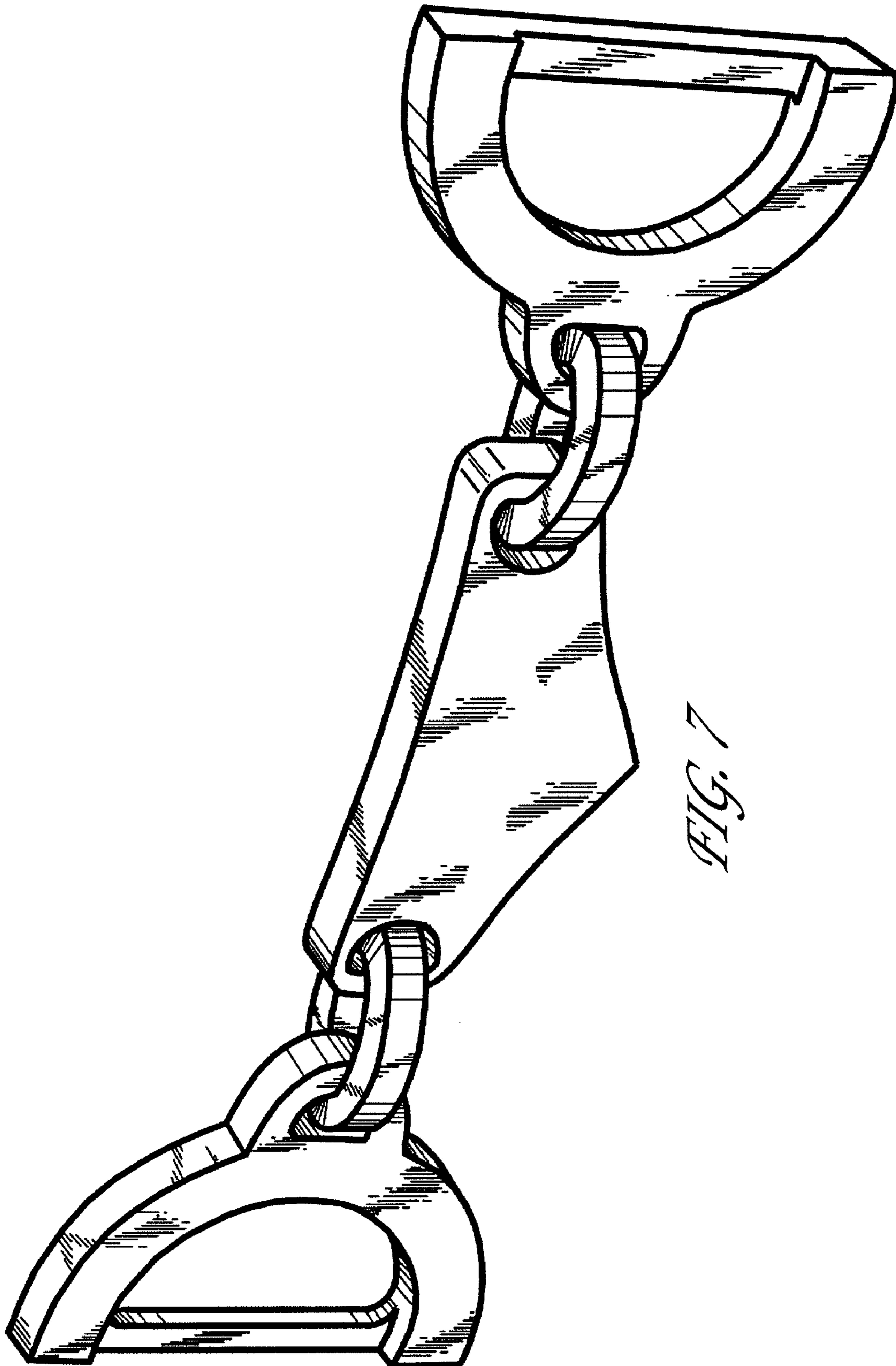


FIG. 7